



US00D422624S

# United States Patent [19]

Brown et al.

[11] Patent Number: **Des. 422,624**

[45] Date of Patent: **\*\* Apr. 11, 2000**

[54] **PAPER TRAYS FOR AN ELECTROSTATOGRAPHIC MACHINE**

D. 331,595 12/1992 Ishida ..... D18/38  
D. 344,973 3/1994 Penke et al. .... D18/39

[75] Inventors: **Donald A. Brown**, Honeoye Falls;  
**Kenneth J. Rieck**, Victor; **William T Clark, III**, Pittsford, all of N.Y.

*Primary Examiner*—Caron D. Veynar

[73] Assignee: **Xerox Corporation**, Stamford, Conn.

[57] **CLAIM**

[\*\*] Term: **14 Years**

The ornamental design for paper trays for an electrostatographic machine, as shown and described.

[21] Appl. No.: **29/107,205**

**DESCRIPTION**

[22] Filed: **Jun. 29, 1999**

FIG. 1 is a perspective view of paper trays for an electrostatographic machine showing the new design;

[51] **LOC (6) Cl.** ..... **16-03**

FIG. 2 is a frontal view thereof;

[52] **U.S. Cl.** ..... **D18/40**

FIG. 3 is a right side view thereof;

[58] **Field of Search** ..... D18/36-39, 40,  
D18/44, 46, 49, 56; 399/405

FIG. 4 is a rear view thereof;

FIG. 5 is a left side view thereof; and,

FIG. 6 is a top plan view thereof.

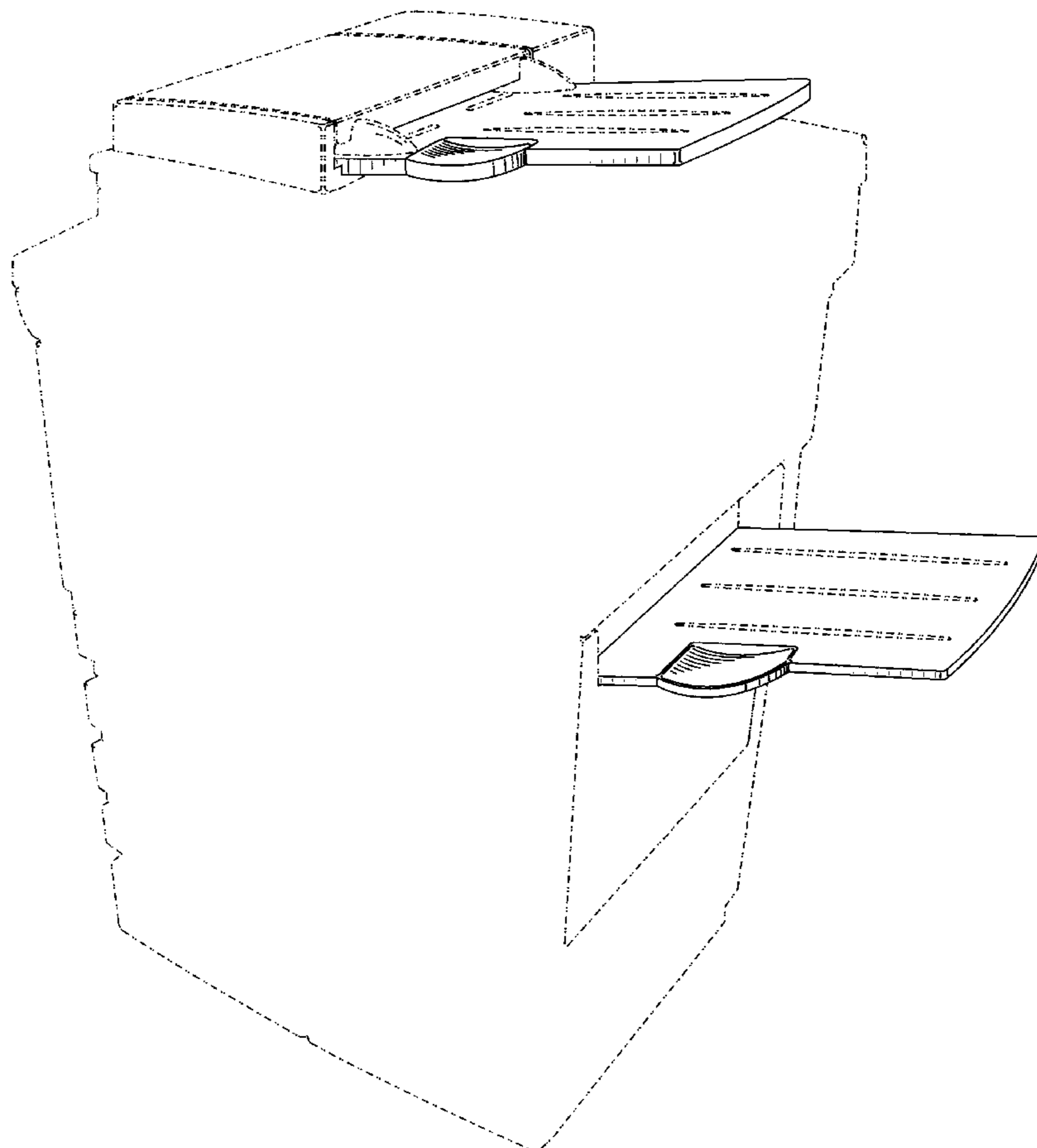
The broken line showings in FIGS. 1-6 are for illustrative purposes only and forms no part of the claimed design.

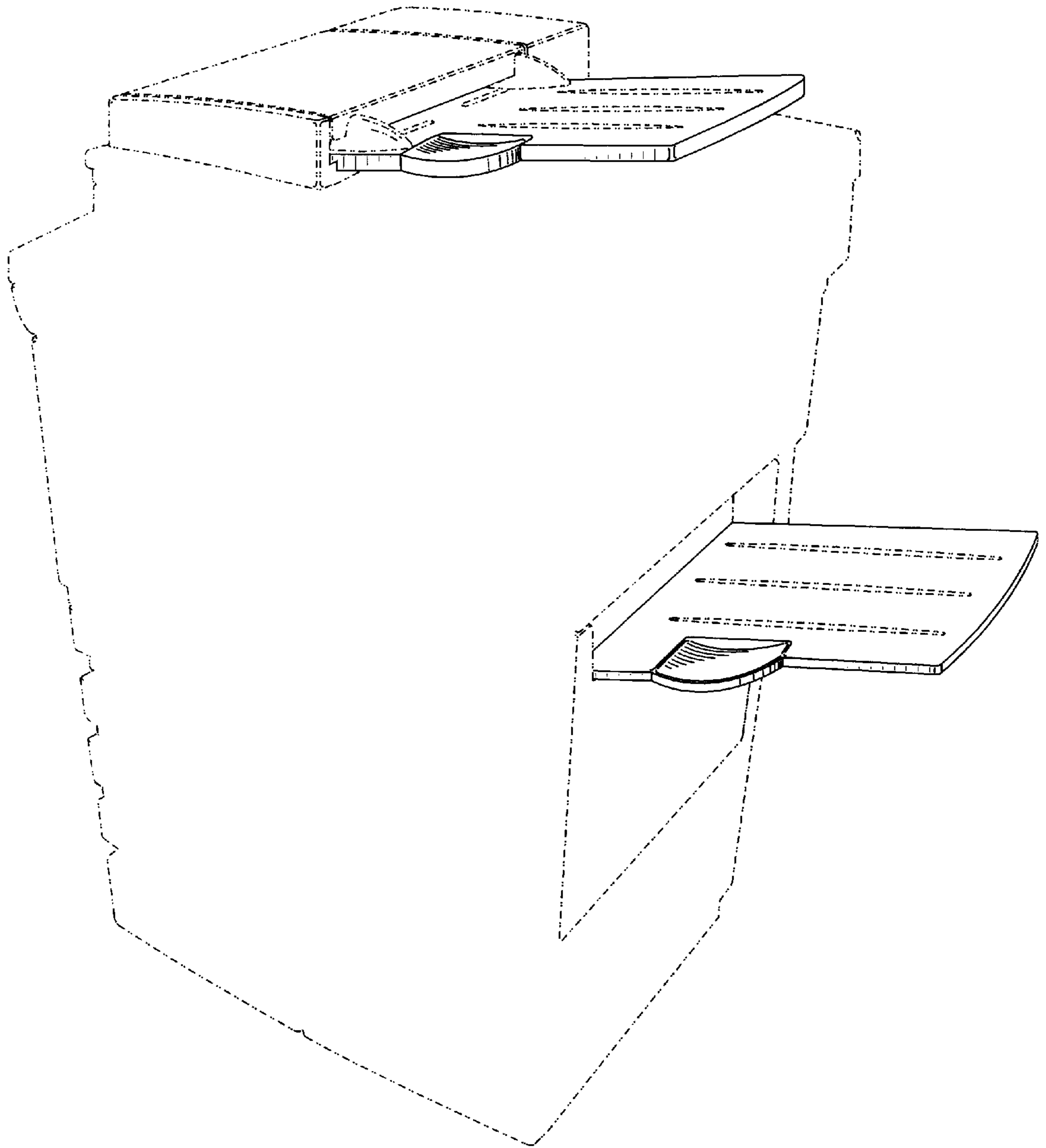
[56] **References Cited**

**U.S. PATENT DOCUMENTS**

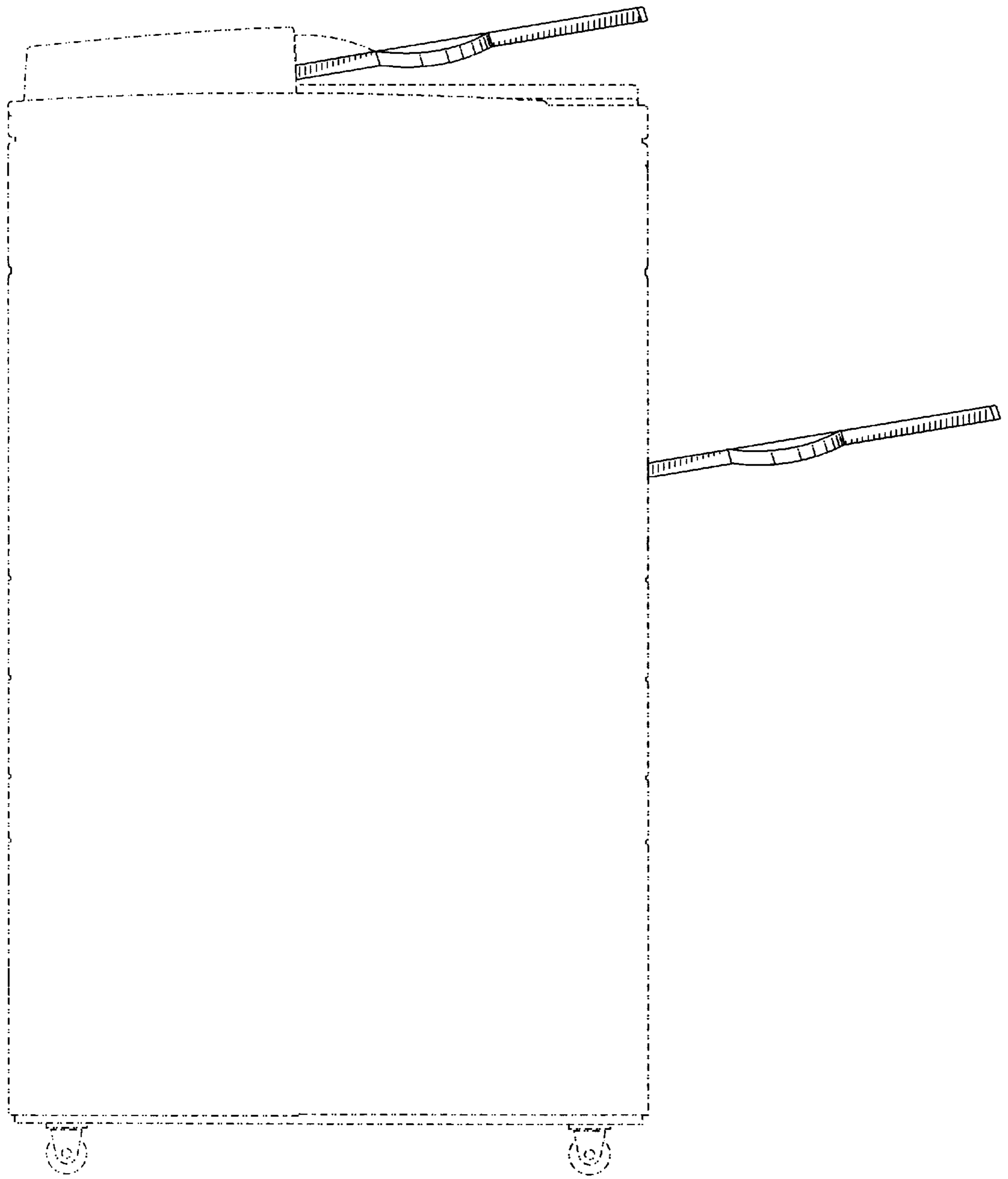
D. 280,907 10/1985 Imada ..... D18/37

**1 Claim, 6 Drawing Sheets**

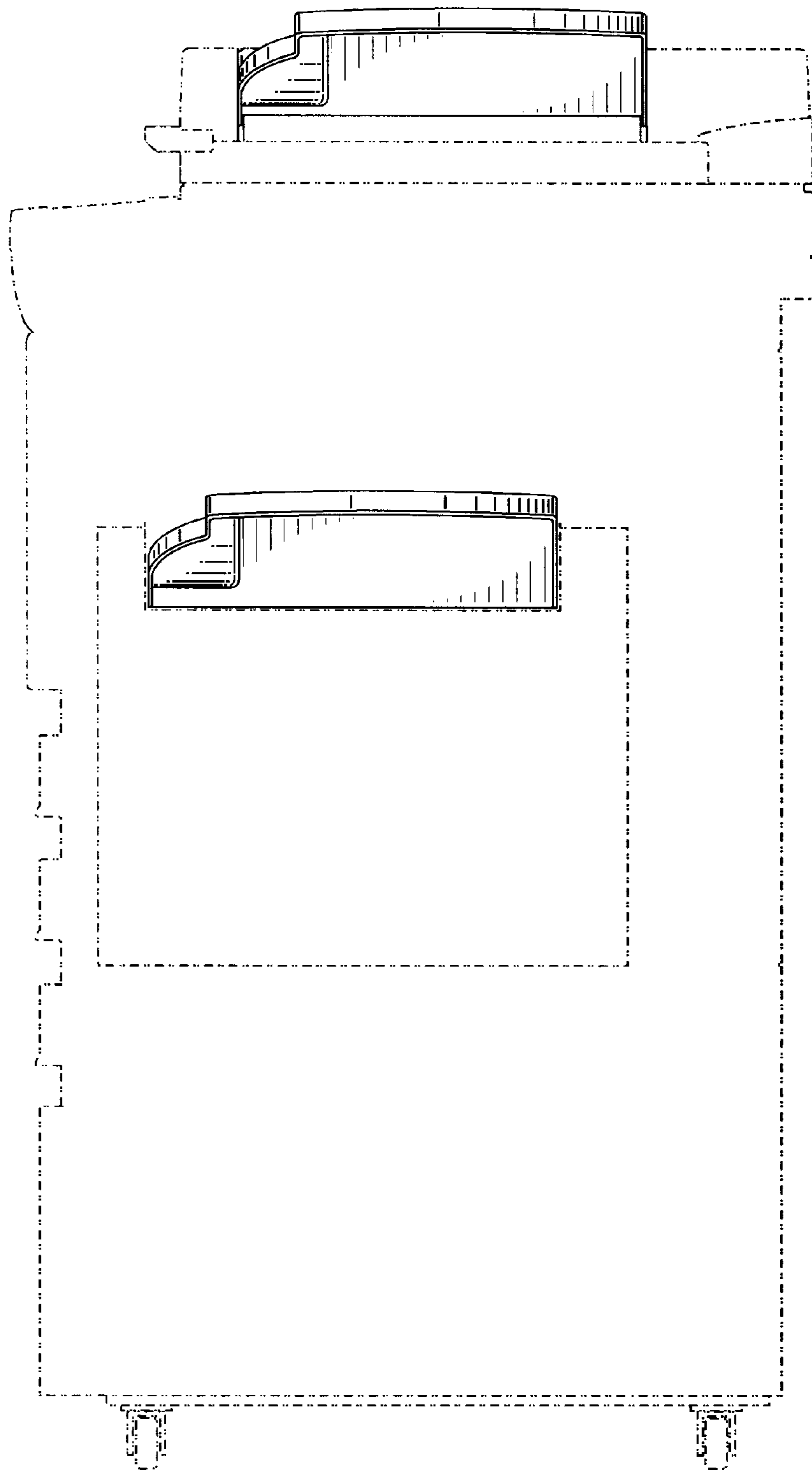




**FIG. 1**



**FIG. 2**



**FIG. 3**

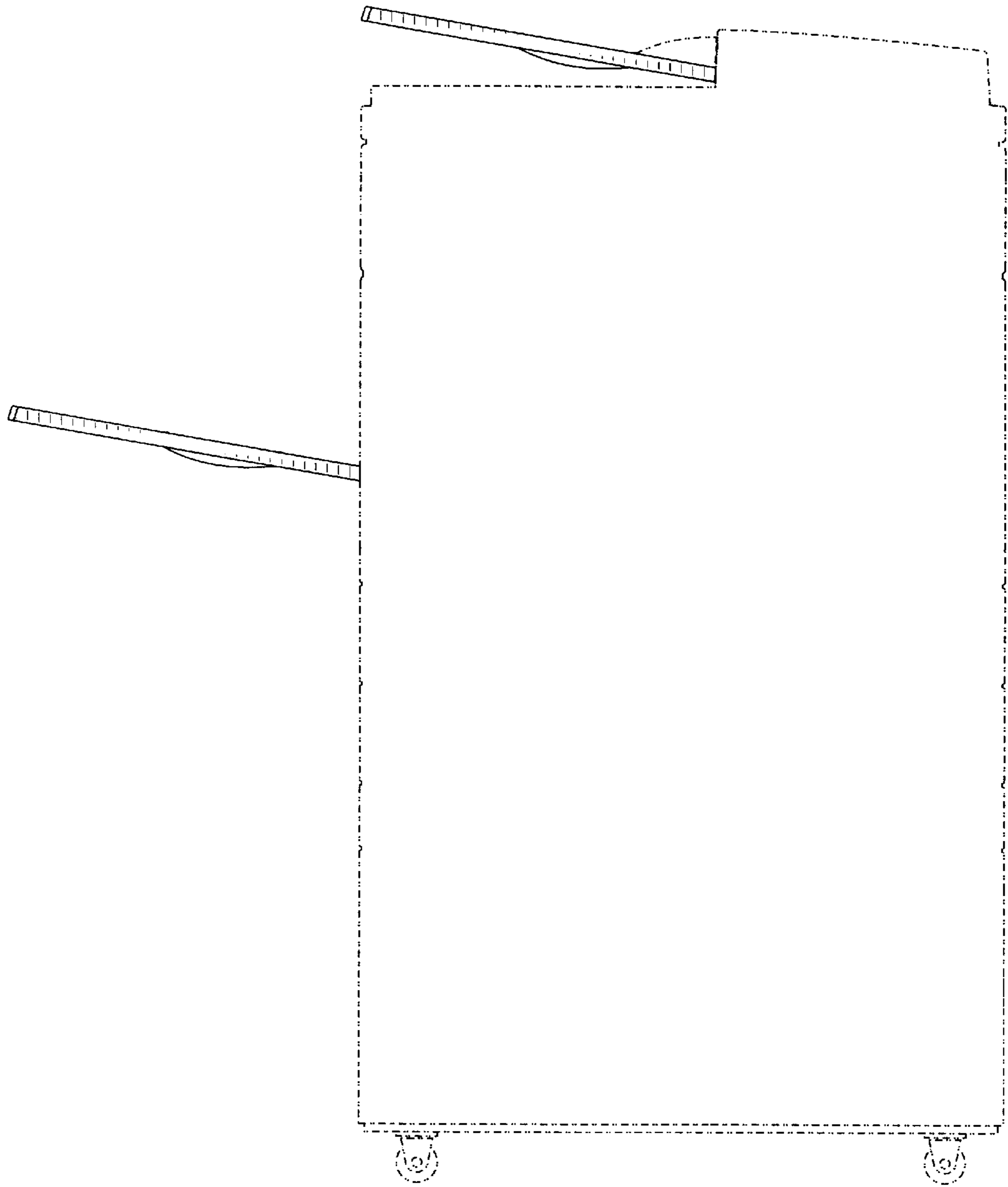
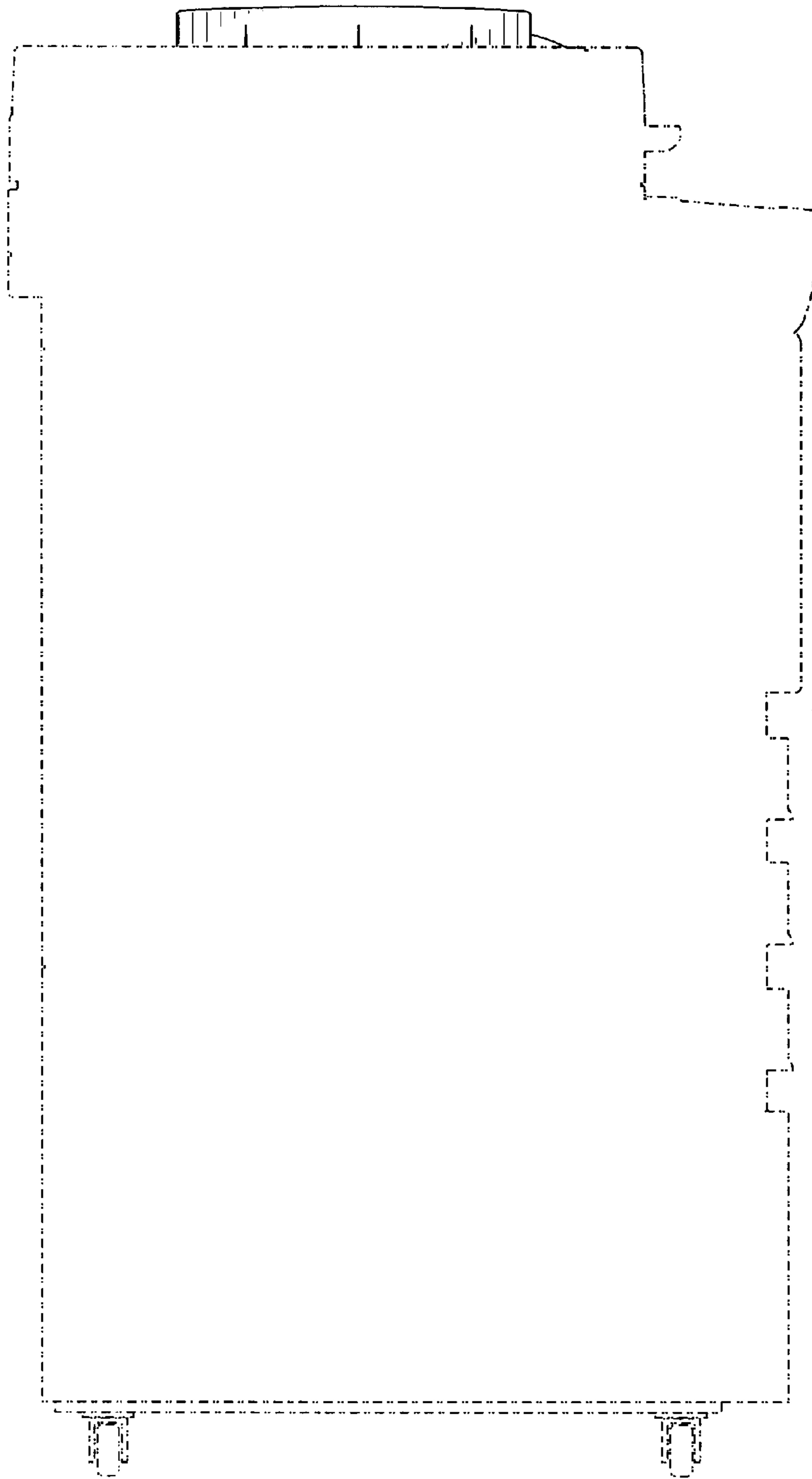
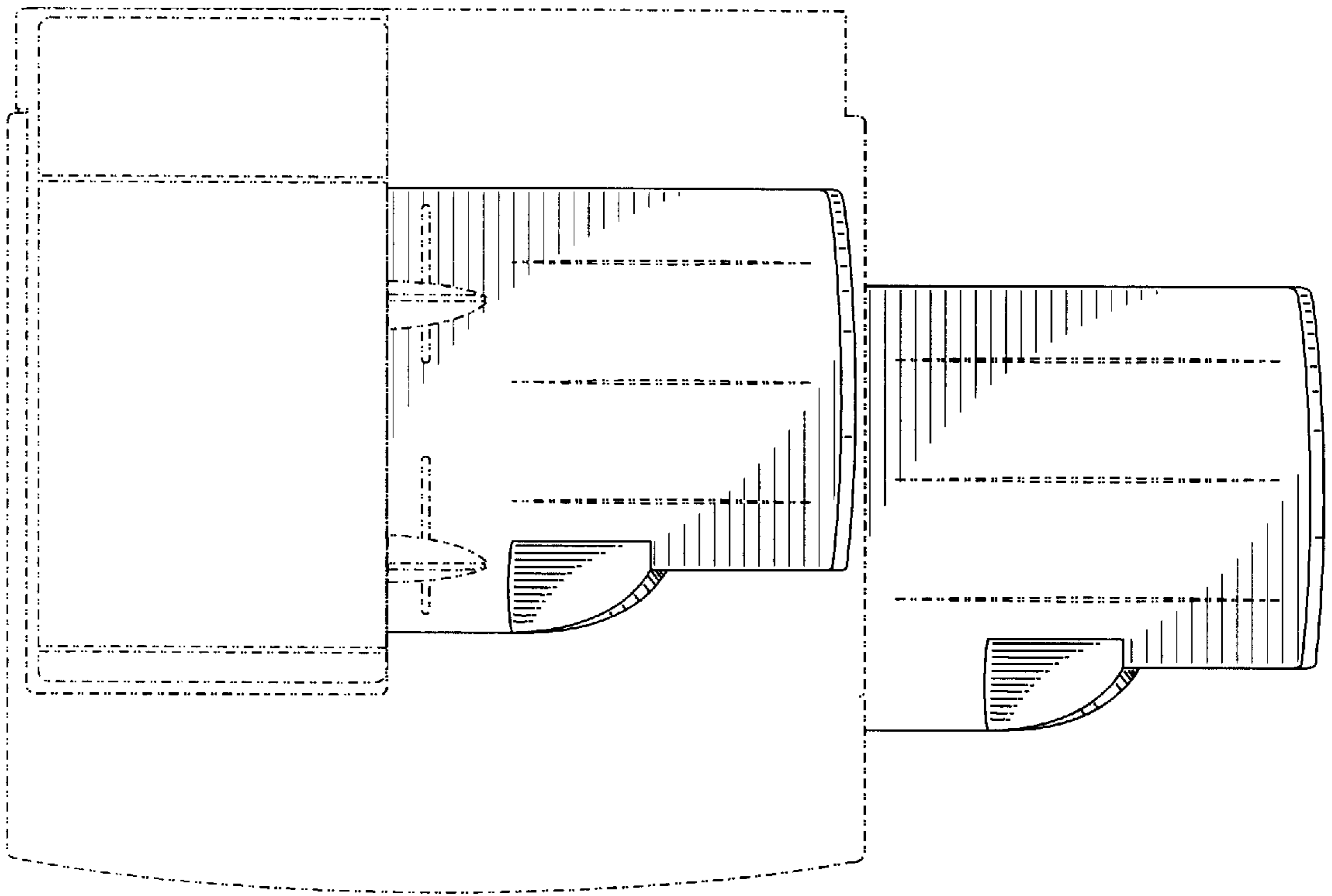


FIG. 4



**FIG. 5**



**FIG. 6**