



US00D422622S

United States Patent [19] Ono

[11] **Patent Number: Des. 422,622**

[45] **Date of Patent: ** Apr. 11, 2000**

[54] **USER INTERFACE FOR POS SYSTEM**

[75] Inventor: **Yasuhiro Ono**, Kanagawa, Japan

[73] Assignee: **Toshiba TEC Kabushiki Kaisha (Toshiba TEC Corporation)**, Tokyo, Japan

[**] Term: **14 Years**

[21] Appl. No.: **29/097,519**

[22] Filed: **Dec. 9, 1998**

[30] **Foreign Application Priority Data**

Jun. 15, 1998 [JP] Japan 10-17112
Jun. 15, 1998 [JP] Japan 10-17113

[51] **LOC (6) Cl.** **18-01**

[52] **U.S. Cl.** **D18/4**

[58] **Field of Search** D18/4, 41; D14/100, D14/105, 106, 113, 114, 115; 235/1 D, 1 E, 2, 4, 7 R, 10, 145, 375, 380, 419; 364/404, 405

[56] **References Cited**

U.S. PATENT DOCUMENTS

D. 359,273 6/1995 Dittmer D14/105

Primary Examiner—Caron D. Veynar

Attorney, Agent, or Firm—Oblon, Spivak, McClelland, Maier & Neustadt, P.C.

[57] **CLAIM**

The ornamental design for a user interface for POS system, as shown and described.

DESCRIPTION

FIG. 1 is a top, left and front perspective view of a user interface for POS system, showing my design;
FIG. 2 is a top, right and rear perspective view thereof;
FIG. 3 is a front elevational view thereof;
FIG. 4 is a rear elevational view thereof;
FIG. 5 is a top plan view thereof;
FIG. 6 is a bottom view thereof;
FIG. 7 is a left side elevational view thereof;
FIG. 8 is a right side elevational view thereof;
FIG. 9 is a top, left and front perspective view of a second embodiment of FIGS. 1-8;
FIG. 10 is a top, right and rear perspective view thereof;
FIG. 11 is a front elevational view thereof;
FIG. 12 is a rear elevational view thereof;
FIG. 13 is a top plan view thereof;
FIG. 14 is a bottom view thereof;
FIG. 15 is a left side elevational view thereof; and,
FIG. 16 is a right side elevational view thereof.

1 Claim, 6 Drawing Sheets

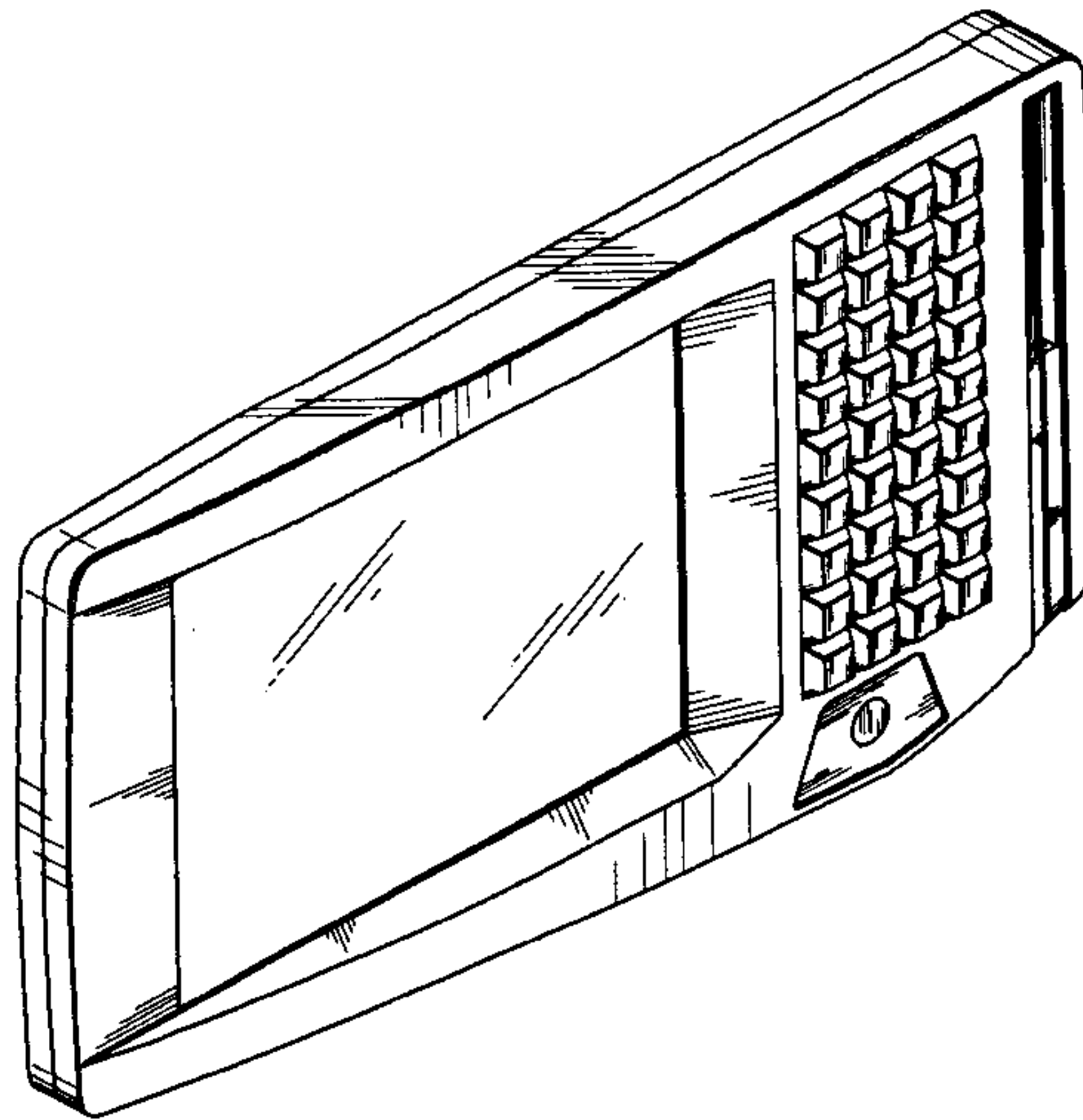
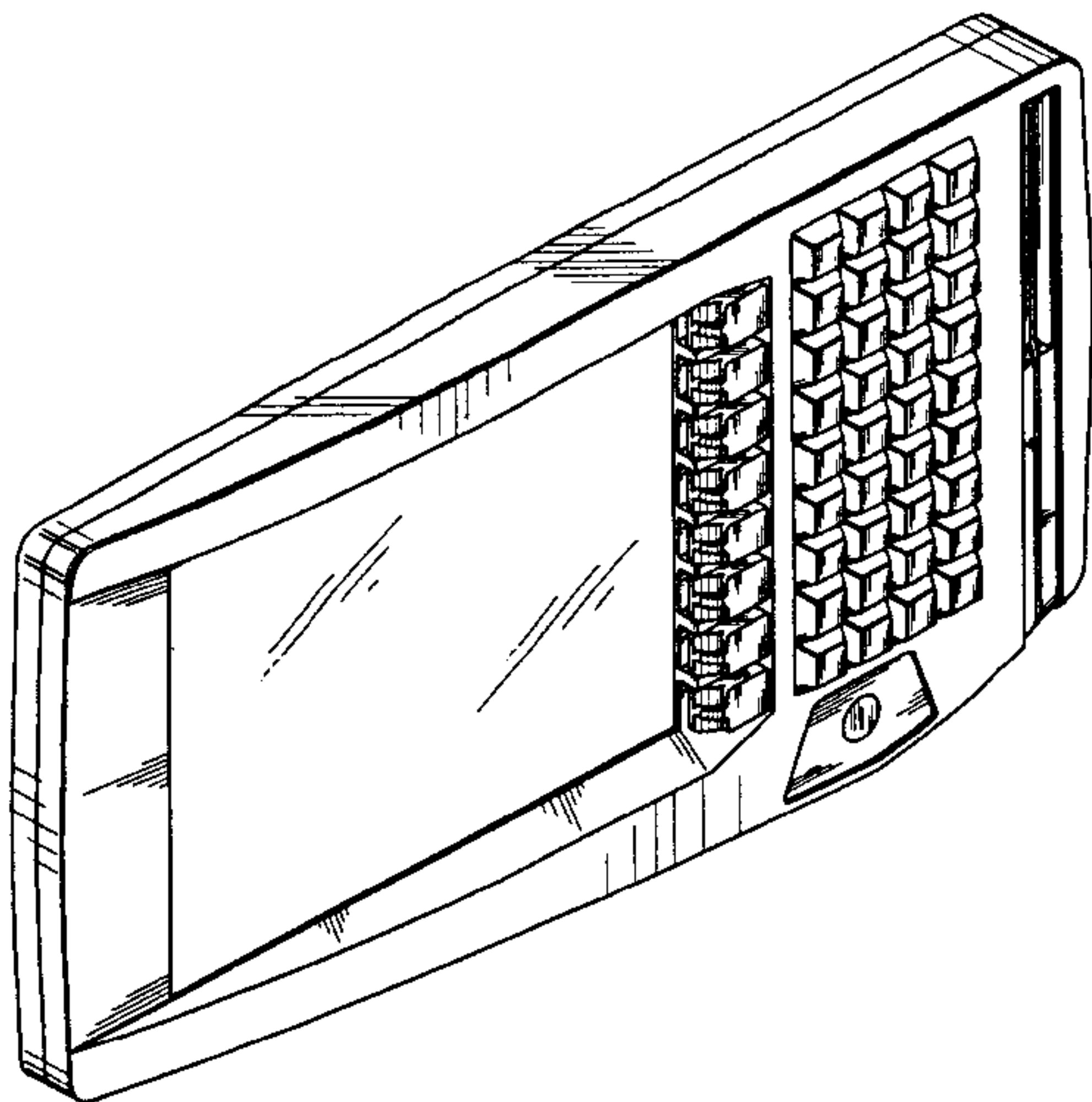


FIG. 1

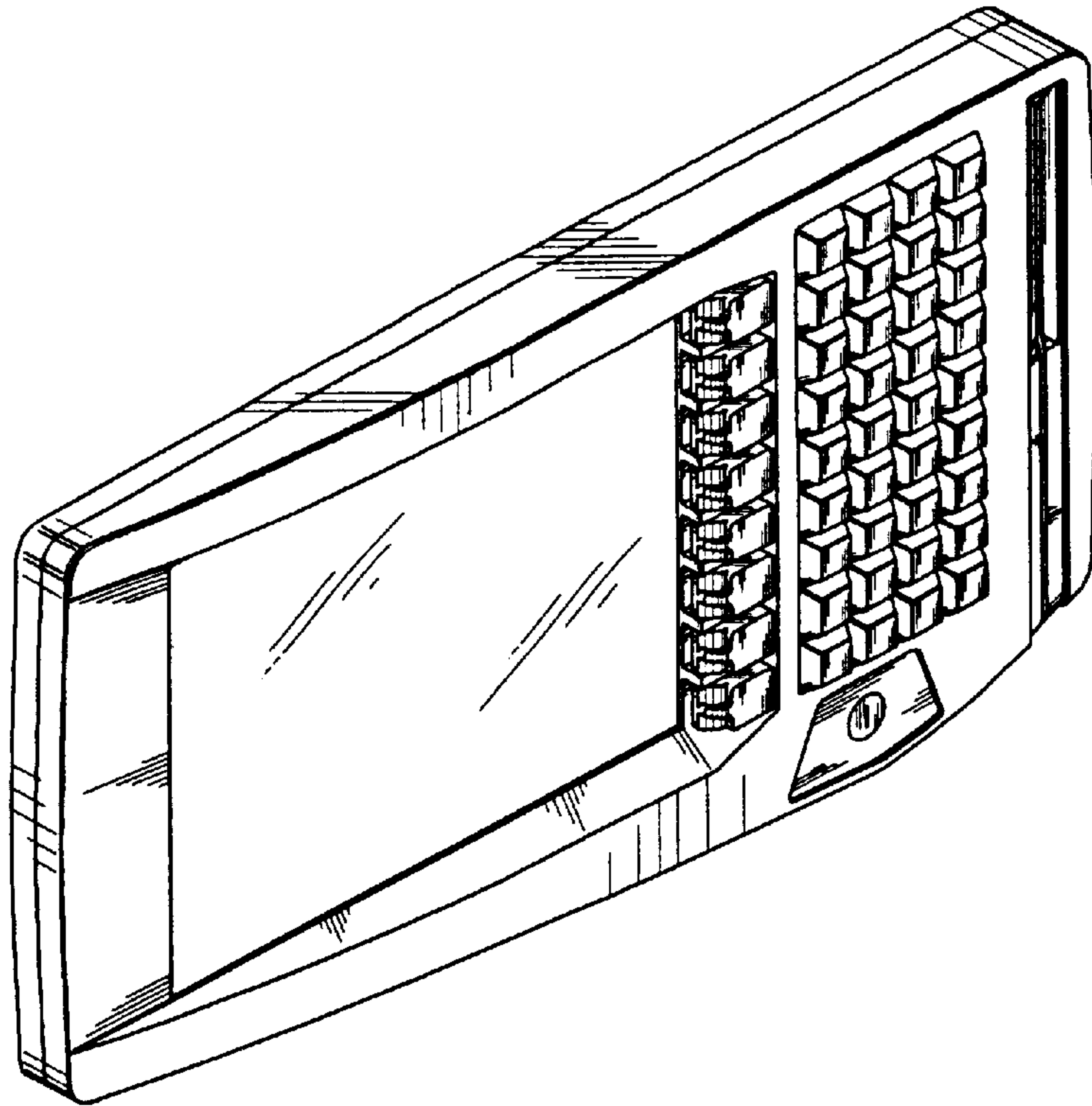


FIG. 2

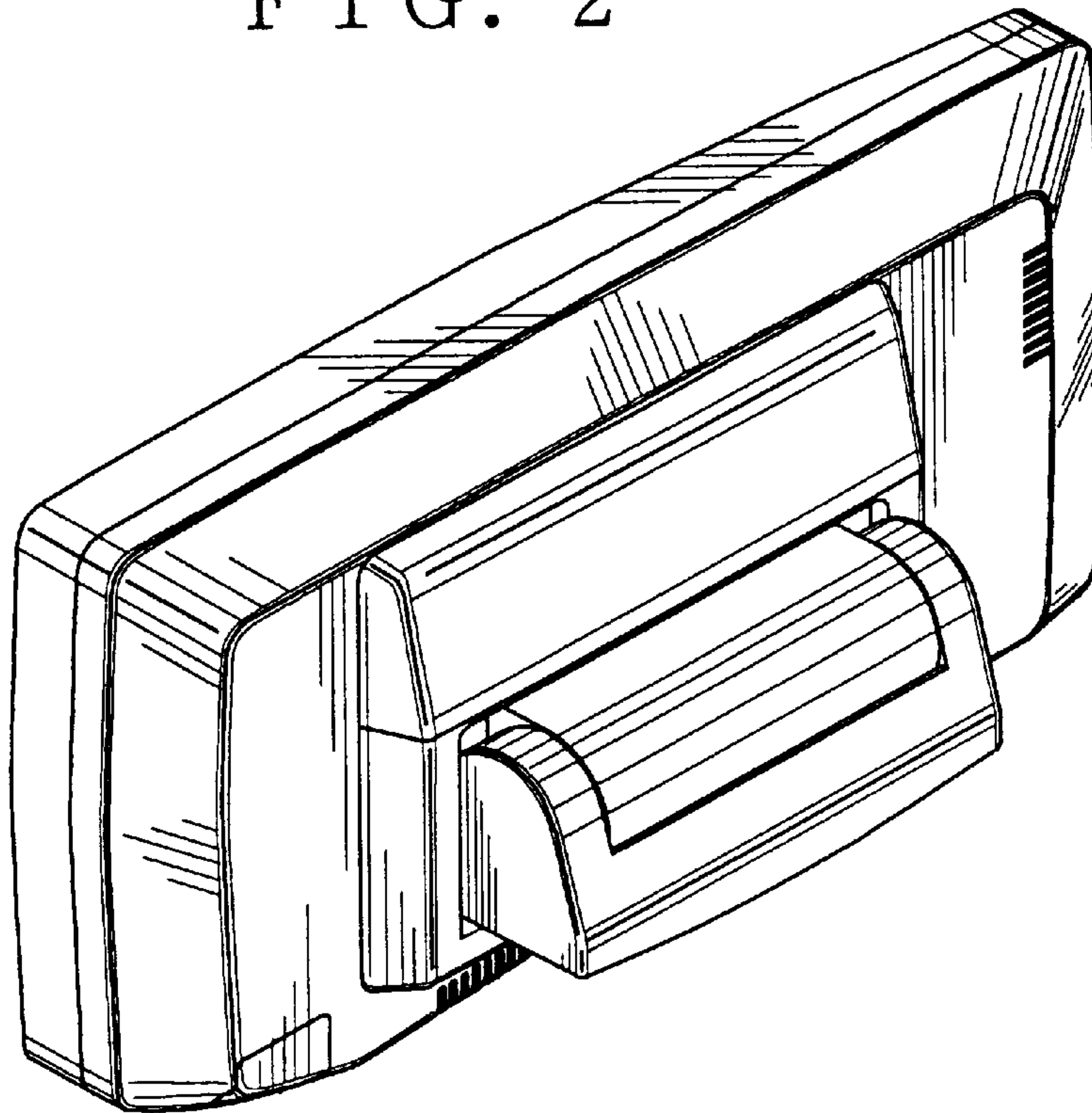


FIG. 3

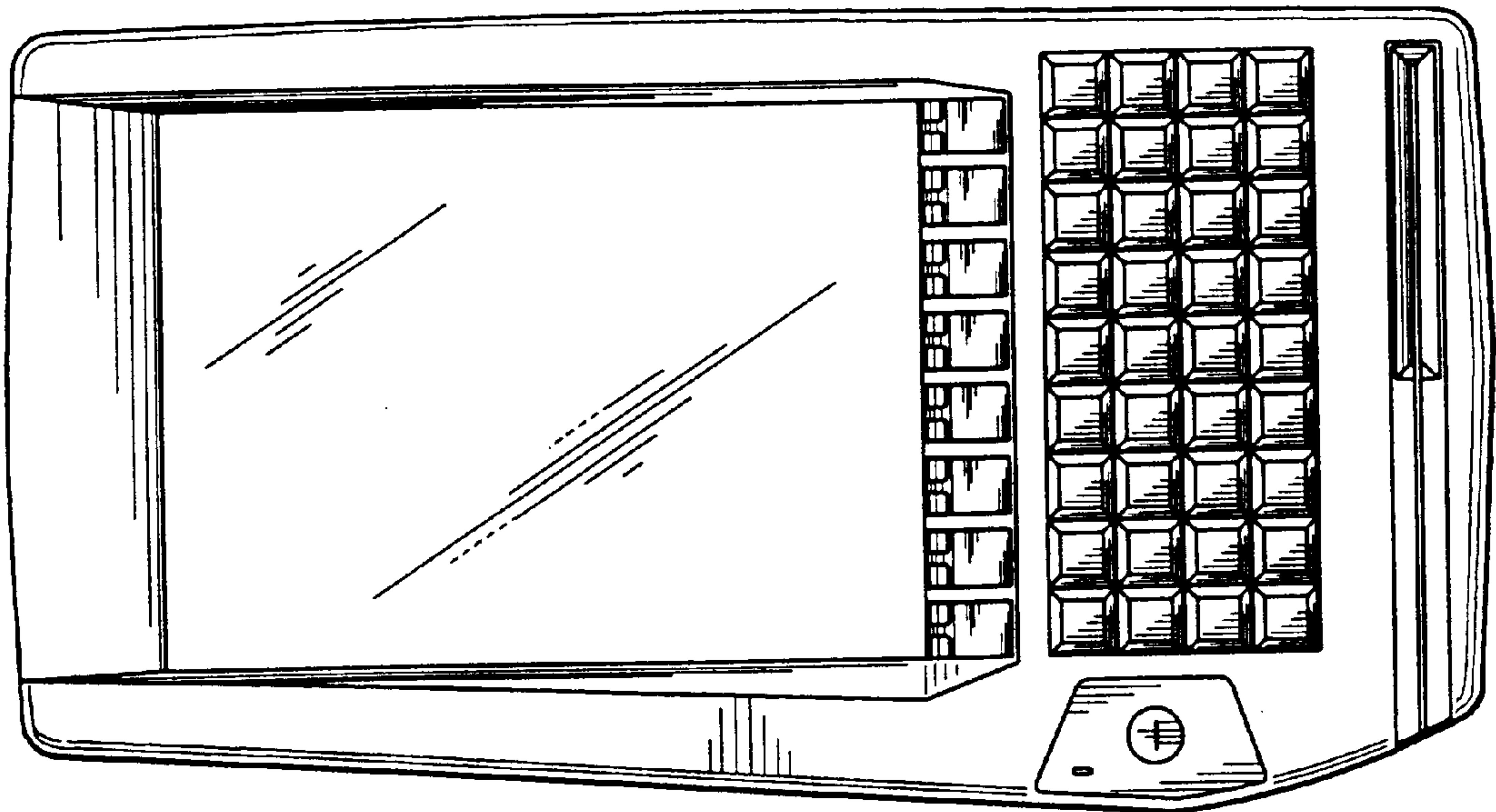


FIG. 4

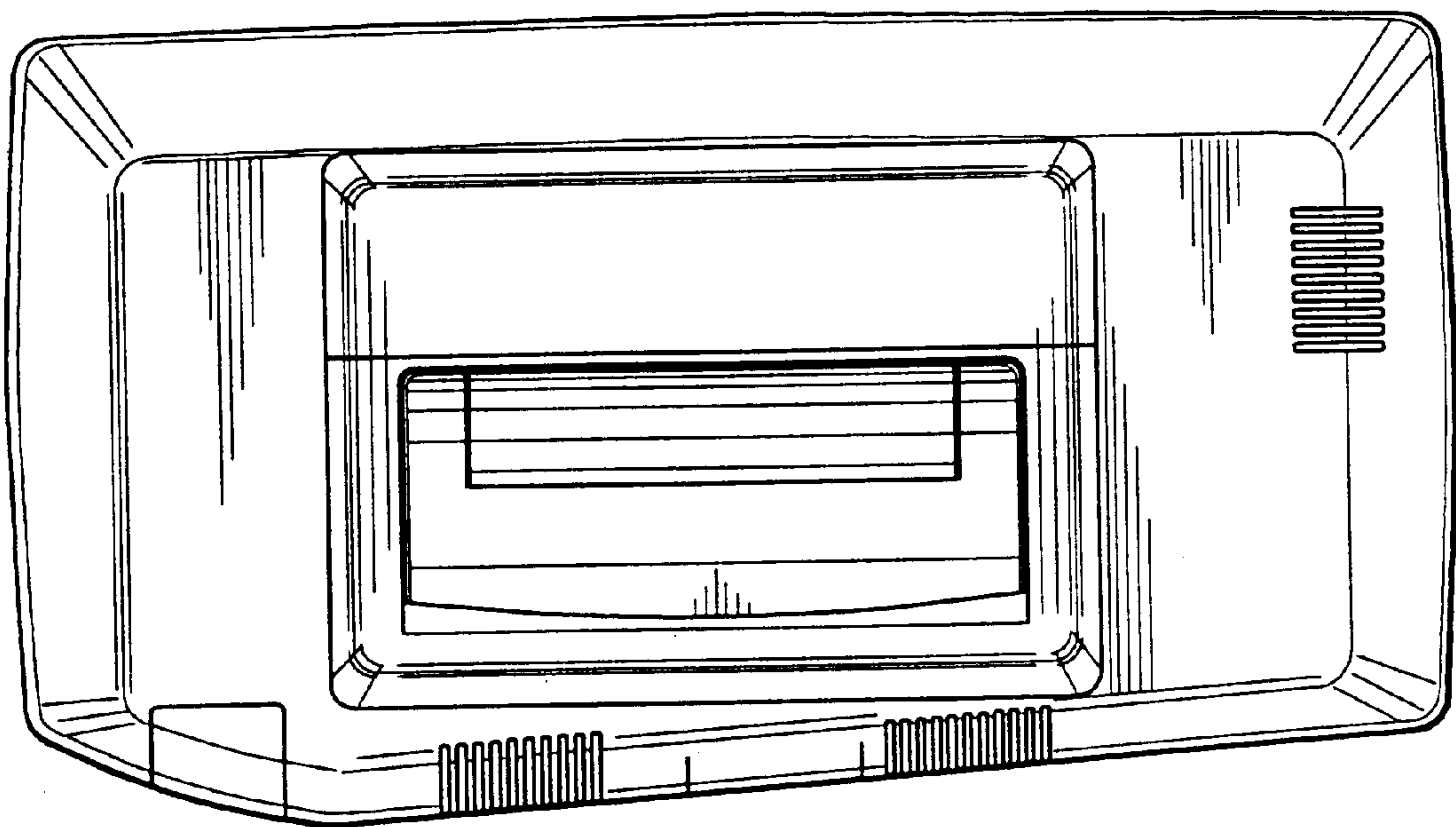


FIG. 5

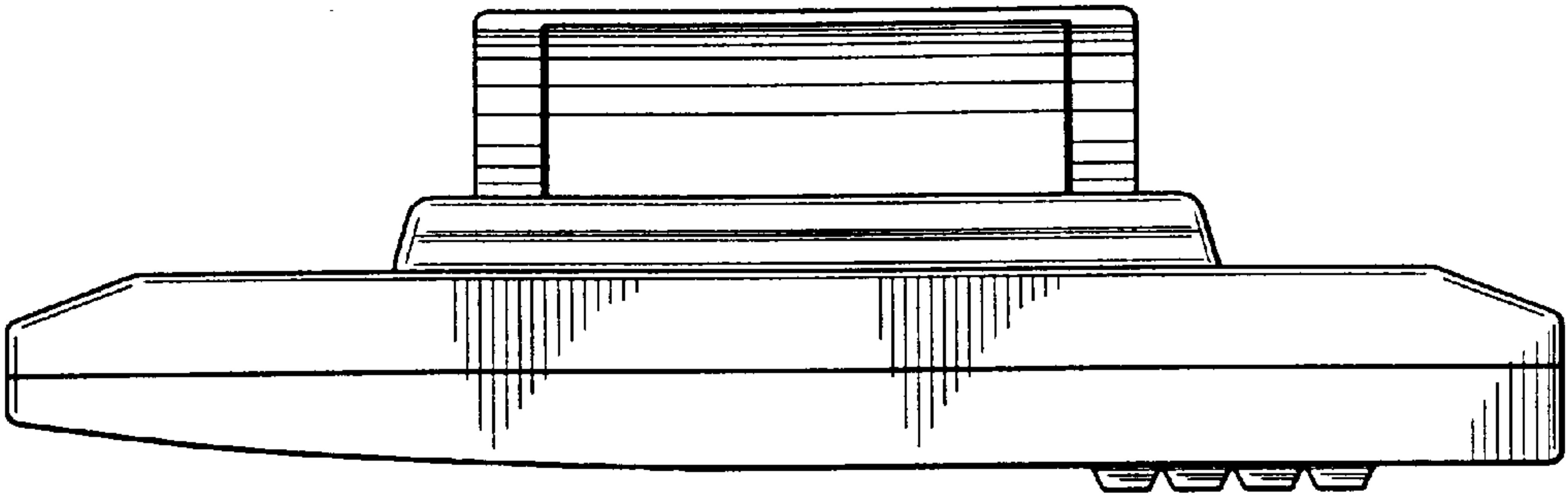


FIG. 6

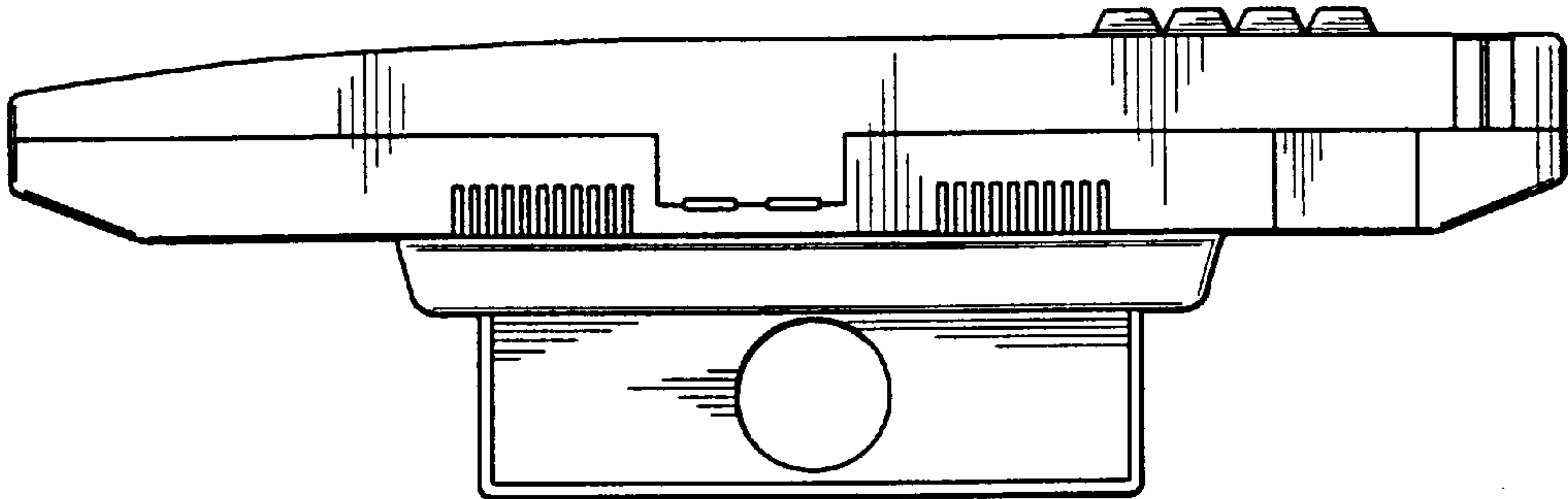


FIG. 7

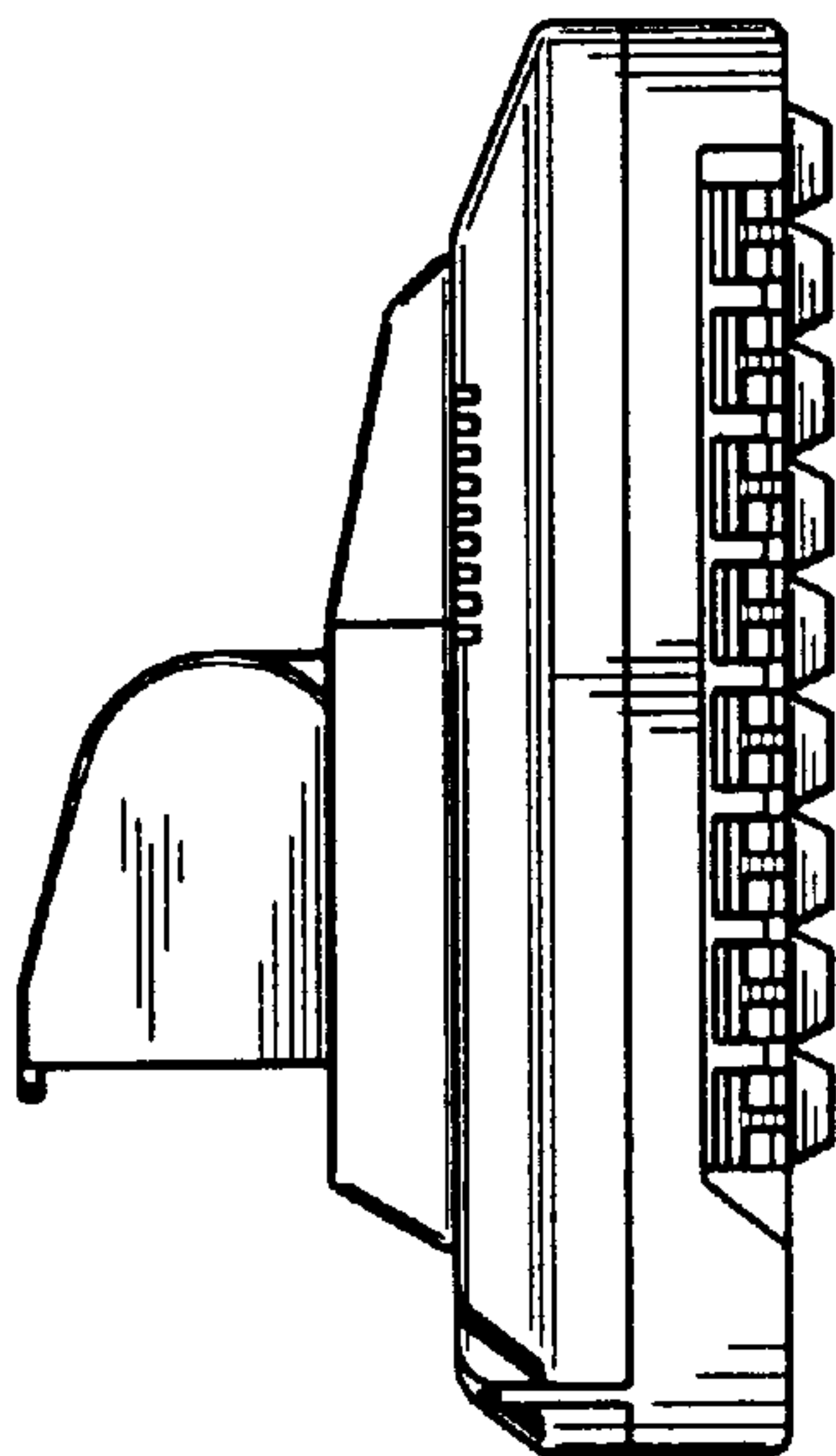


FIG. 8

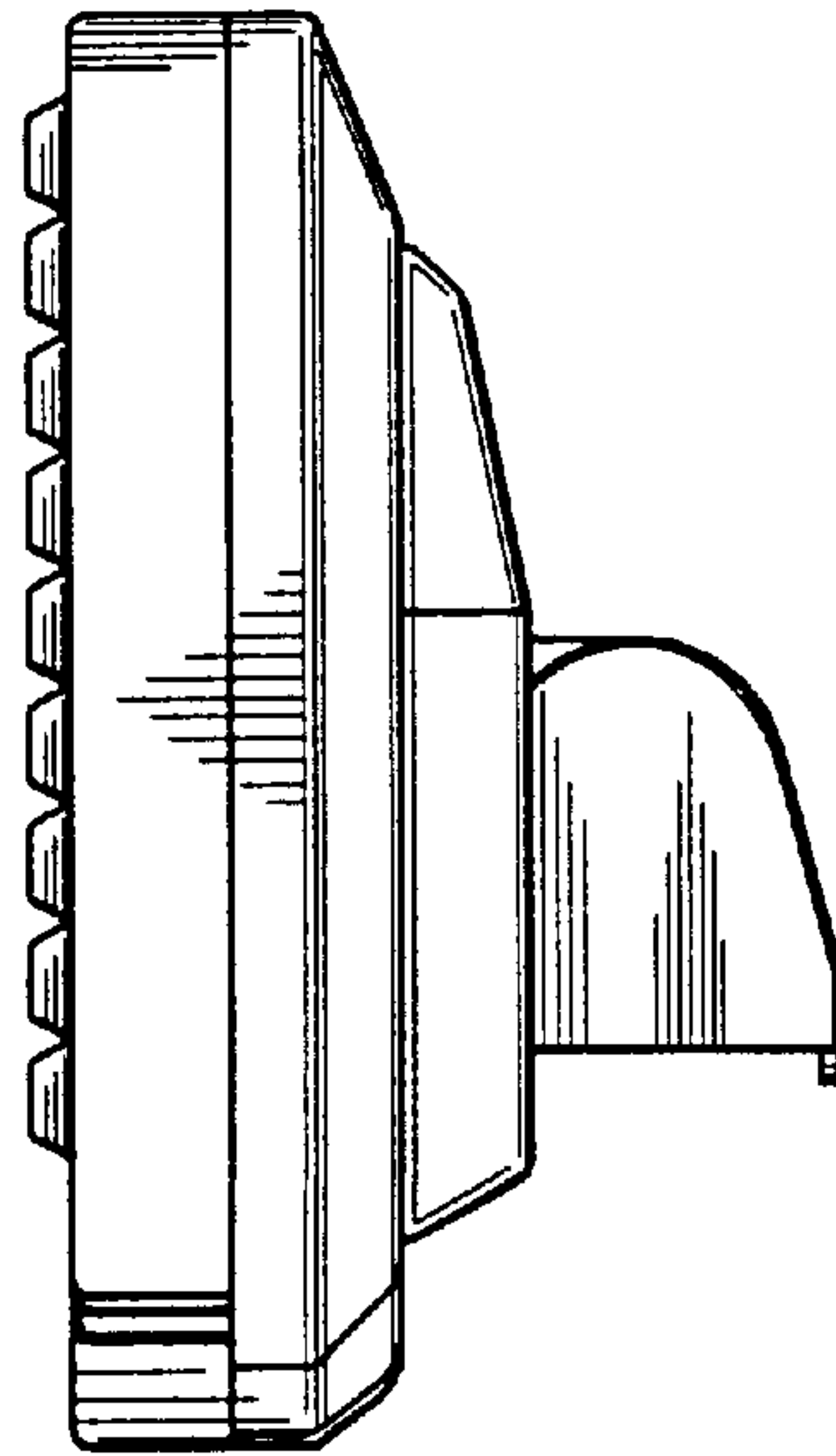


FIG. 9

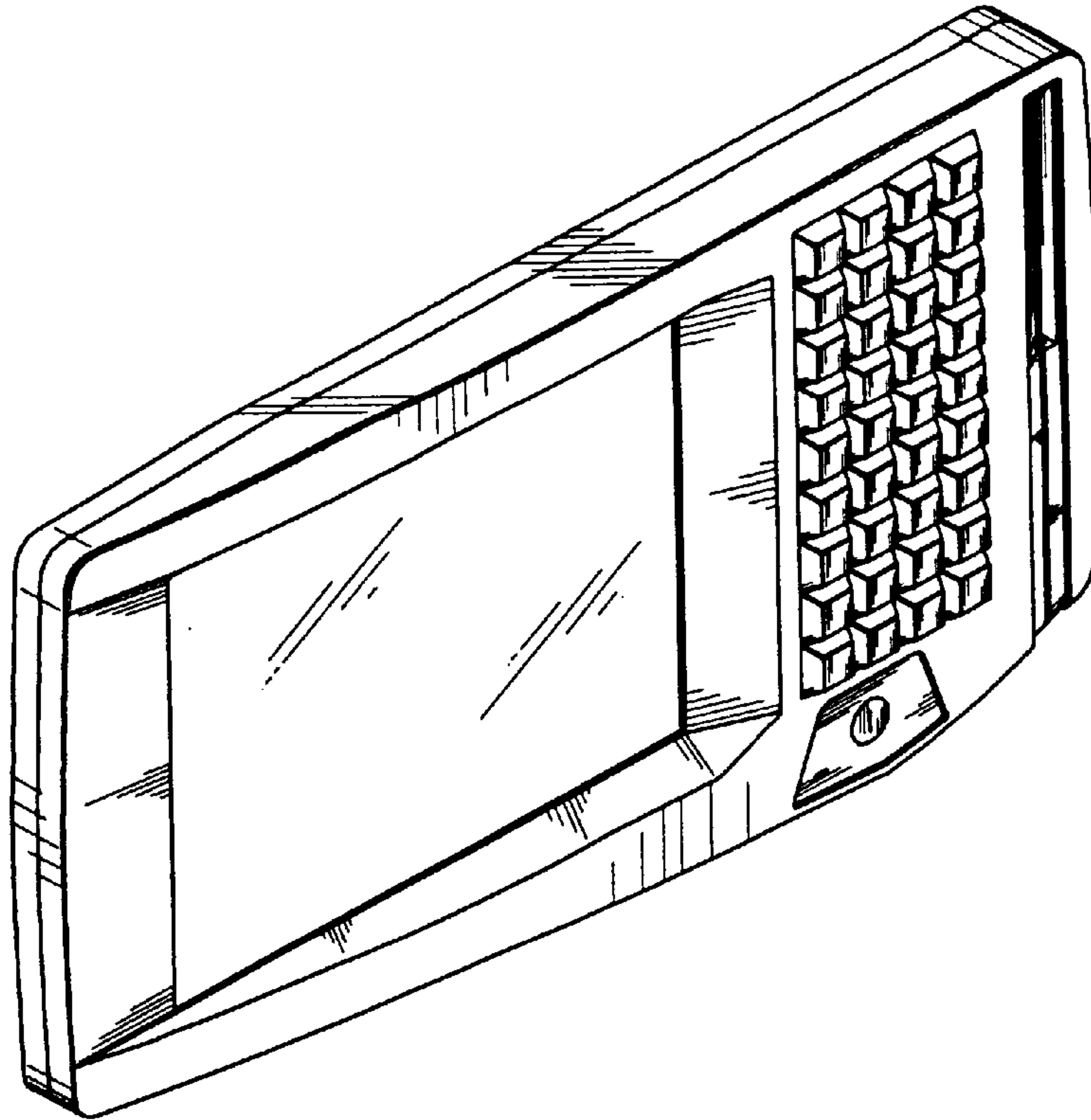


FIG. 10

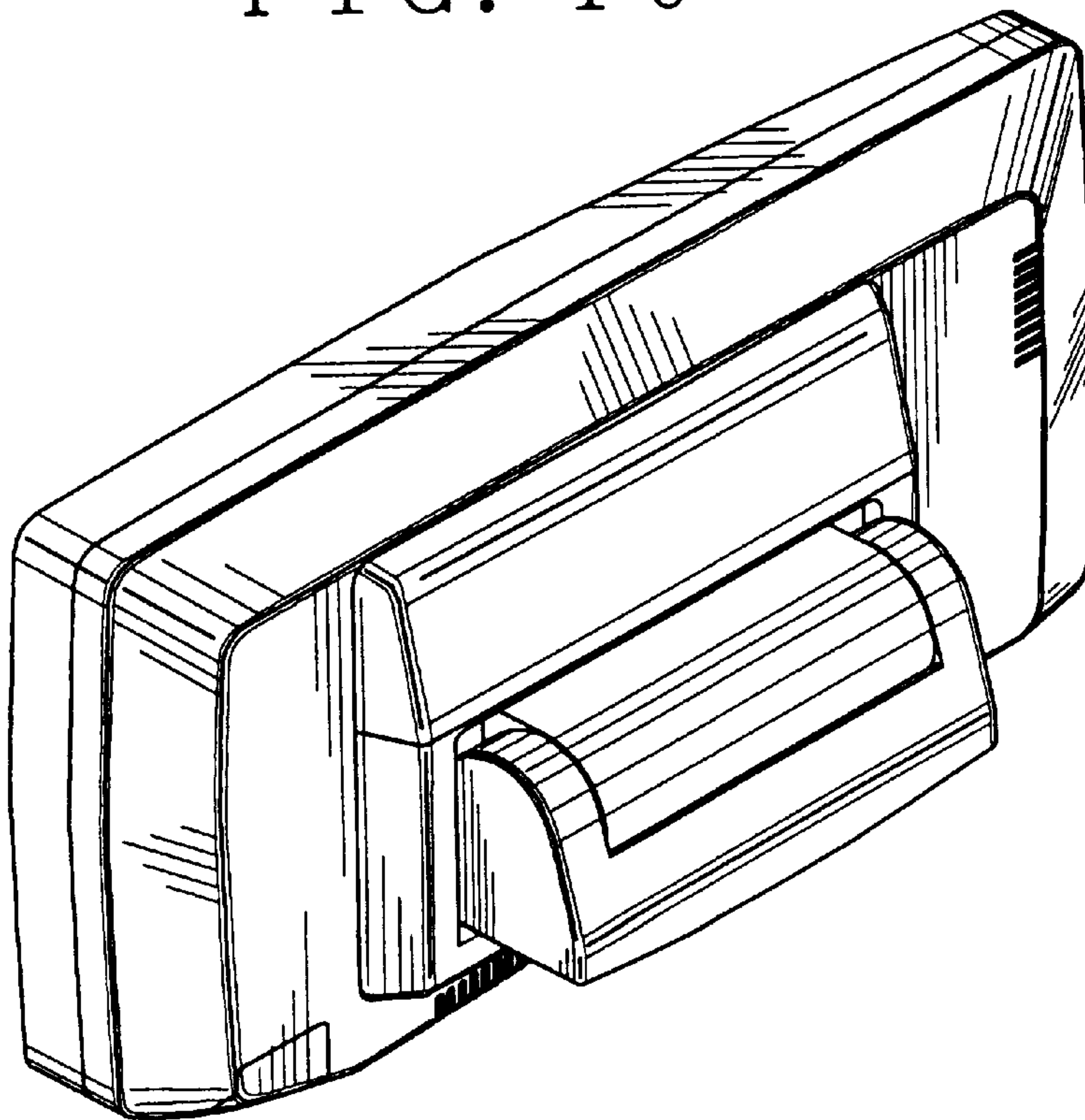


FIG. 11

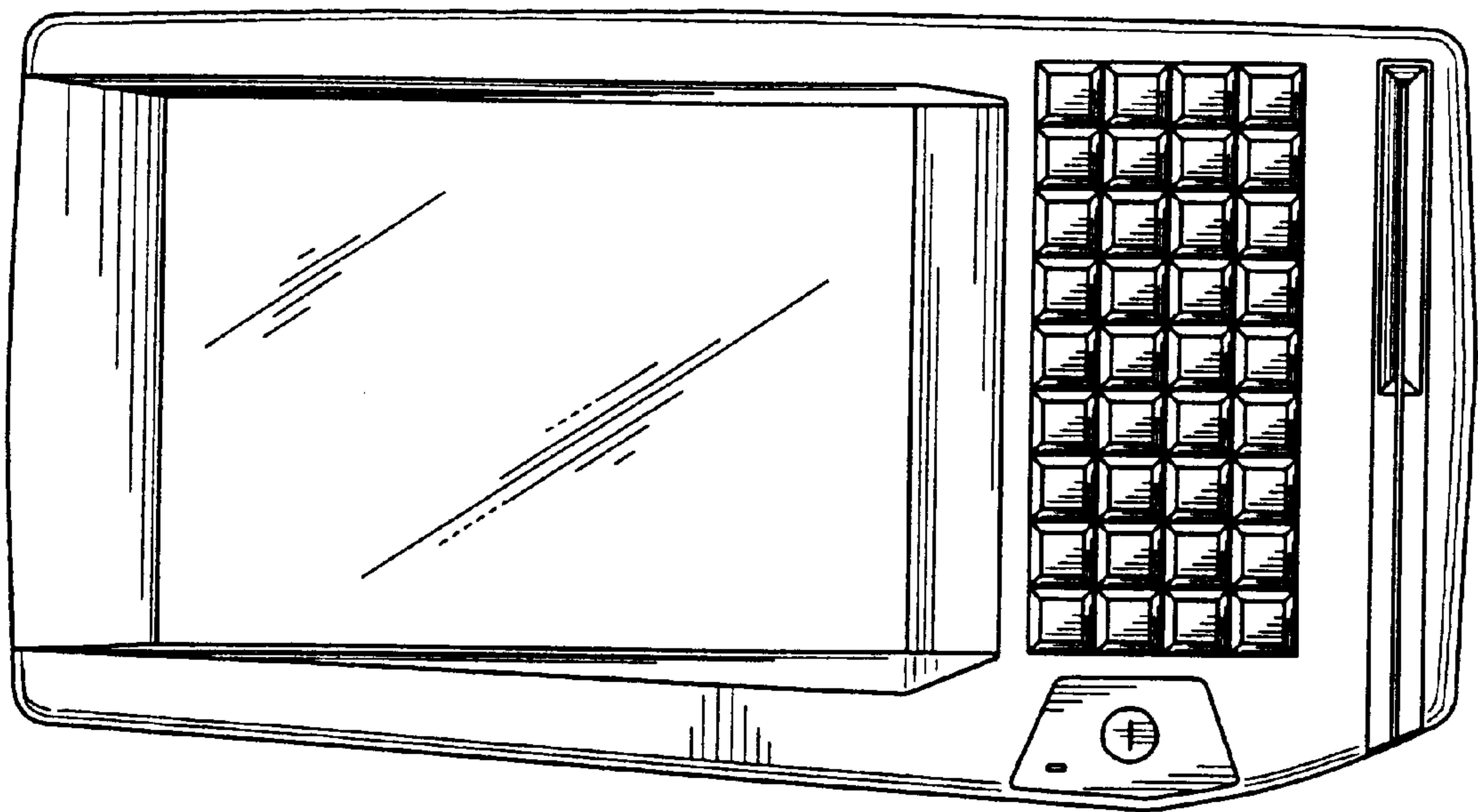


FIG. 12

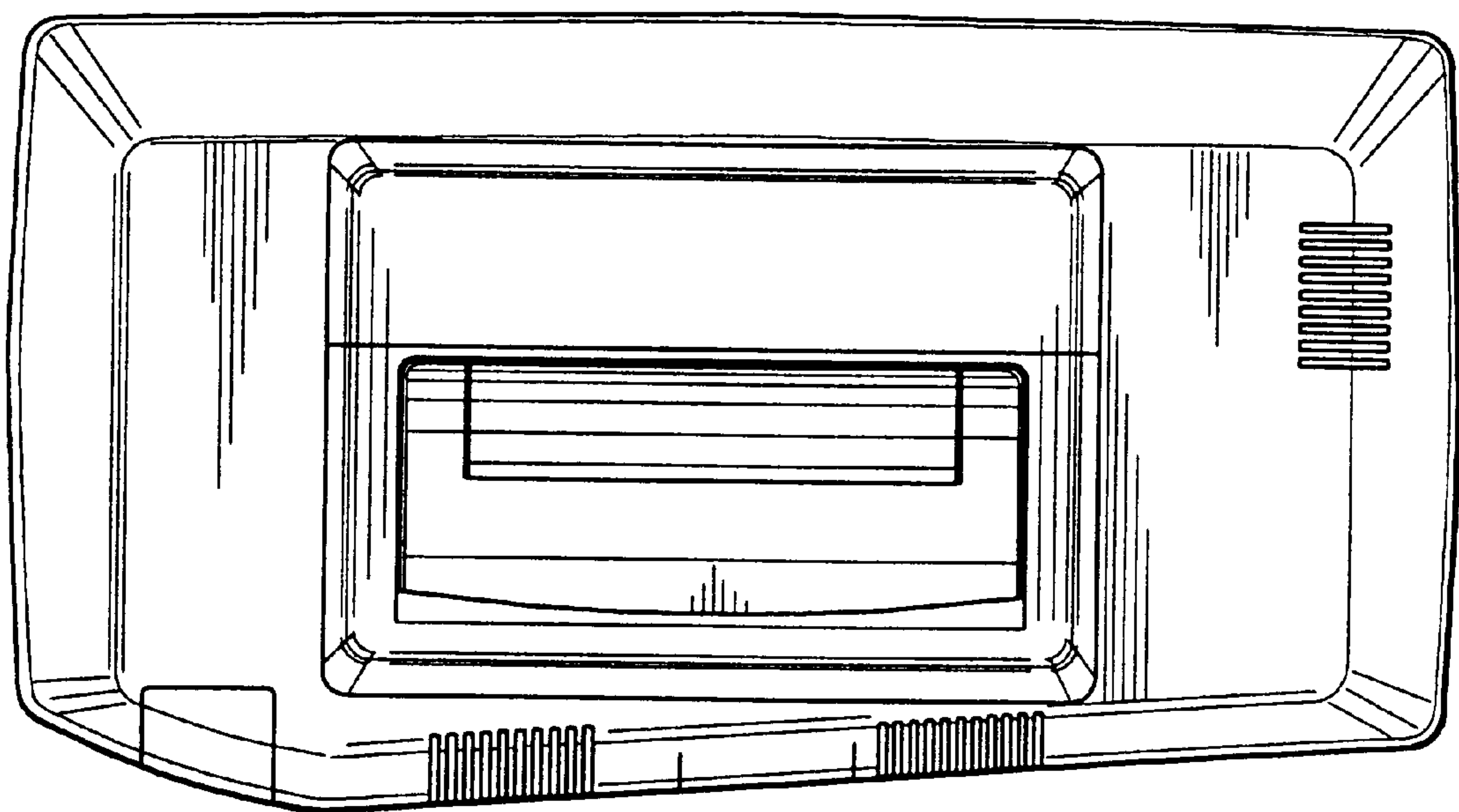


FIG. 13

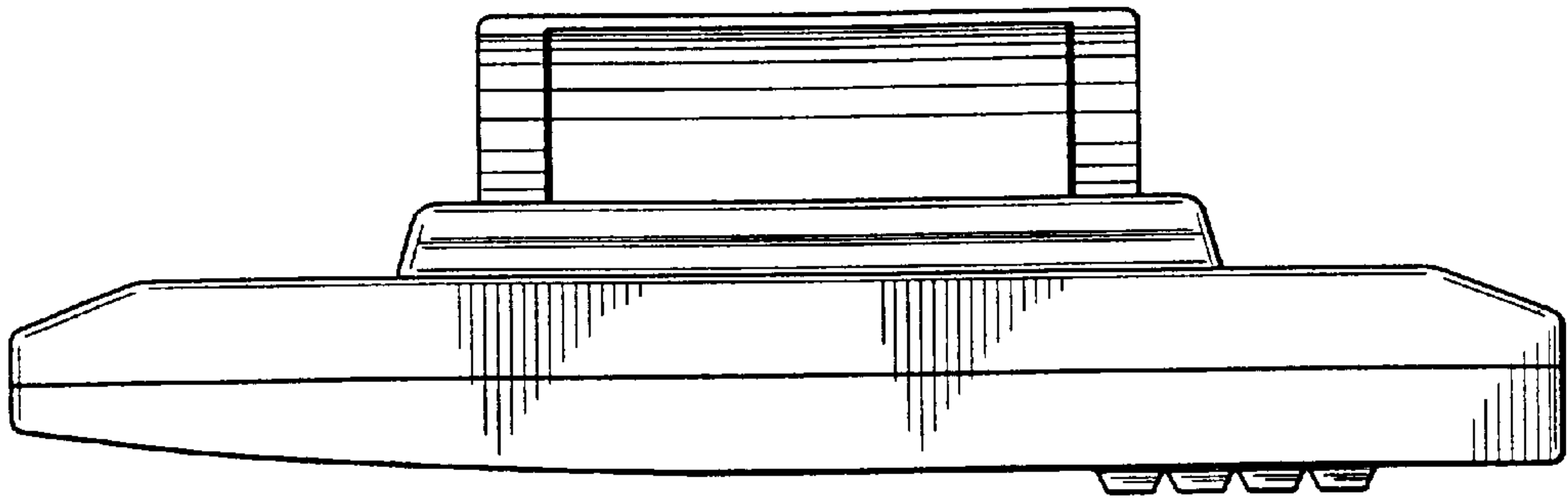


FIG. 14

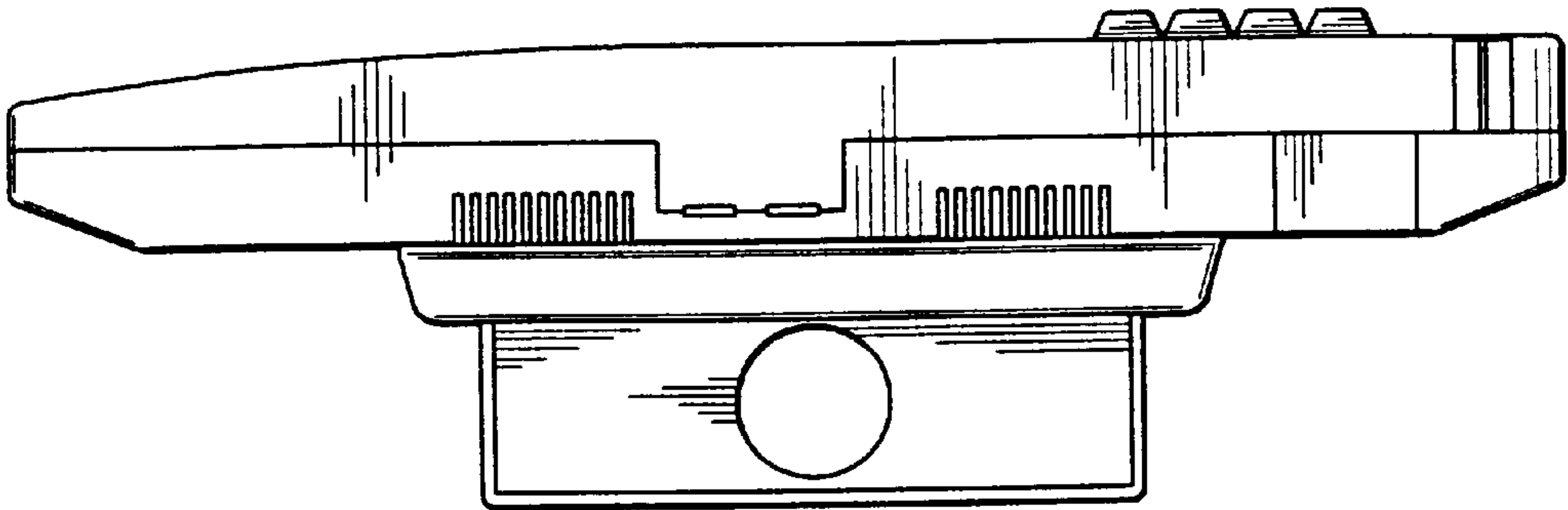


FIG. 15

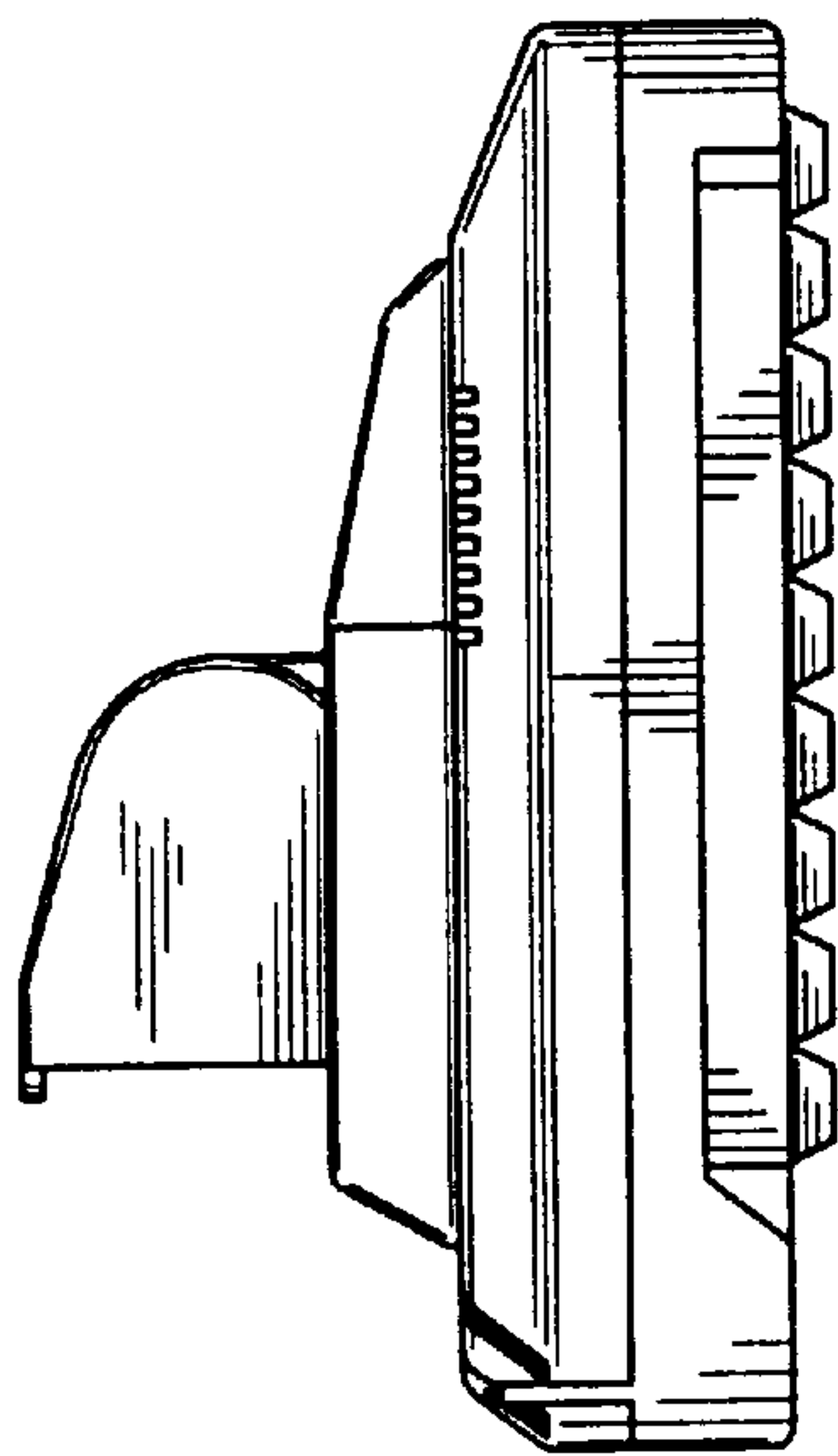


FIG. 16

