



US00D422615S

**United States Patent** [19]  
**Yoshizawa**

[11] **Patent Number: Des. 422,615**

[45] **Date of Patent: \*\* Apr. 11, 2000**

[54] **SWIMMING GOGGLES**

[75] Inventor: **Susumu Yoshizawa**, Tokyo, Japan

[73] Assignee: **Tabata Co., Ltd.**, Tokyo, Japan

[\*\*] Term: **14 Years**

[21] Appl. No.: **29/102,745**

[22] Filed: **Mar. 31, 1999**

[30] **Foreign Application Priority Data**

Nov. 25, 1998 [JP] Japan ..... 10-33837

[51] **LOC (6) Cl.** ..... **16-06**

[52] **U.S. Cl.** ..... **D16/303; D16/311**

[58] **Field of Search** ..... D16/303, 311,  
D16/312; D29/103-104, 109-110; 351/41,  
44, 158; 2/428, 430, 432, 436, 437

[56] **References Cited**

**U.S. PATENT DOCUMENTS**

- D. 391,283 2/1998 Yamamoto ..... D16/311
- D. 395,666 6/1998 Yashiro ..... D16/303
- D. 413,914 9/1999 Tsubooka ..... D16/303
- 5,946,736 9/1999 Caspescha ..... 2/428

*Primary Examiner*—Raphael Barkai

*Attorney, Agent, or Firm*—Sughrue, Mion, Zinn, Macpeak & Seas, PLLC

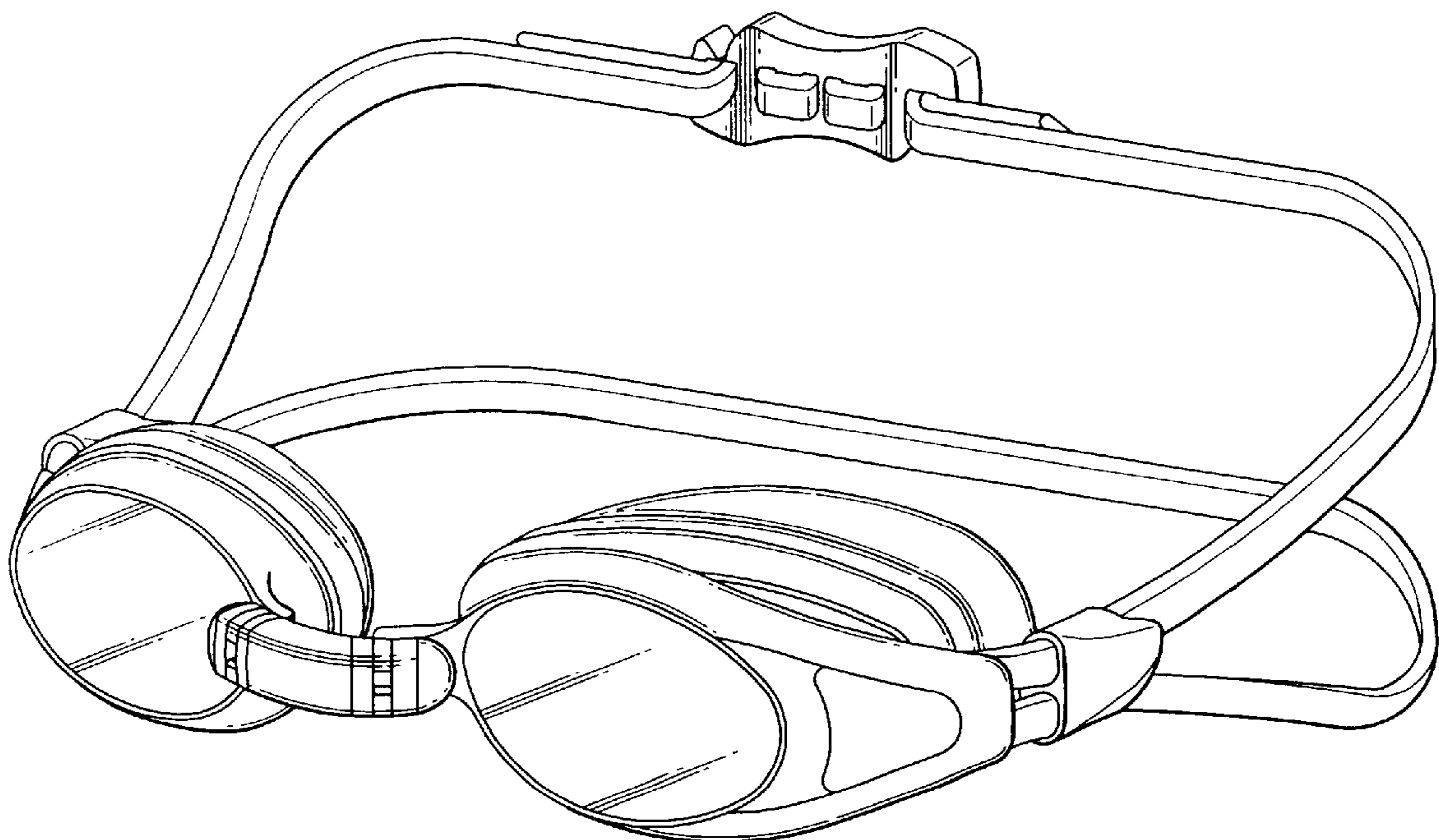
[57] **CLAIM**

The ornamental design for swimming goggles, as shown and described.

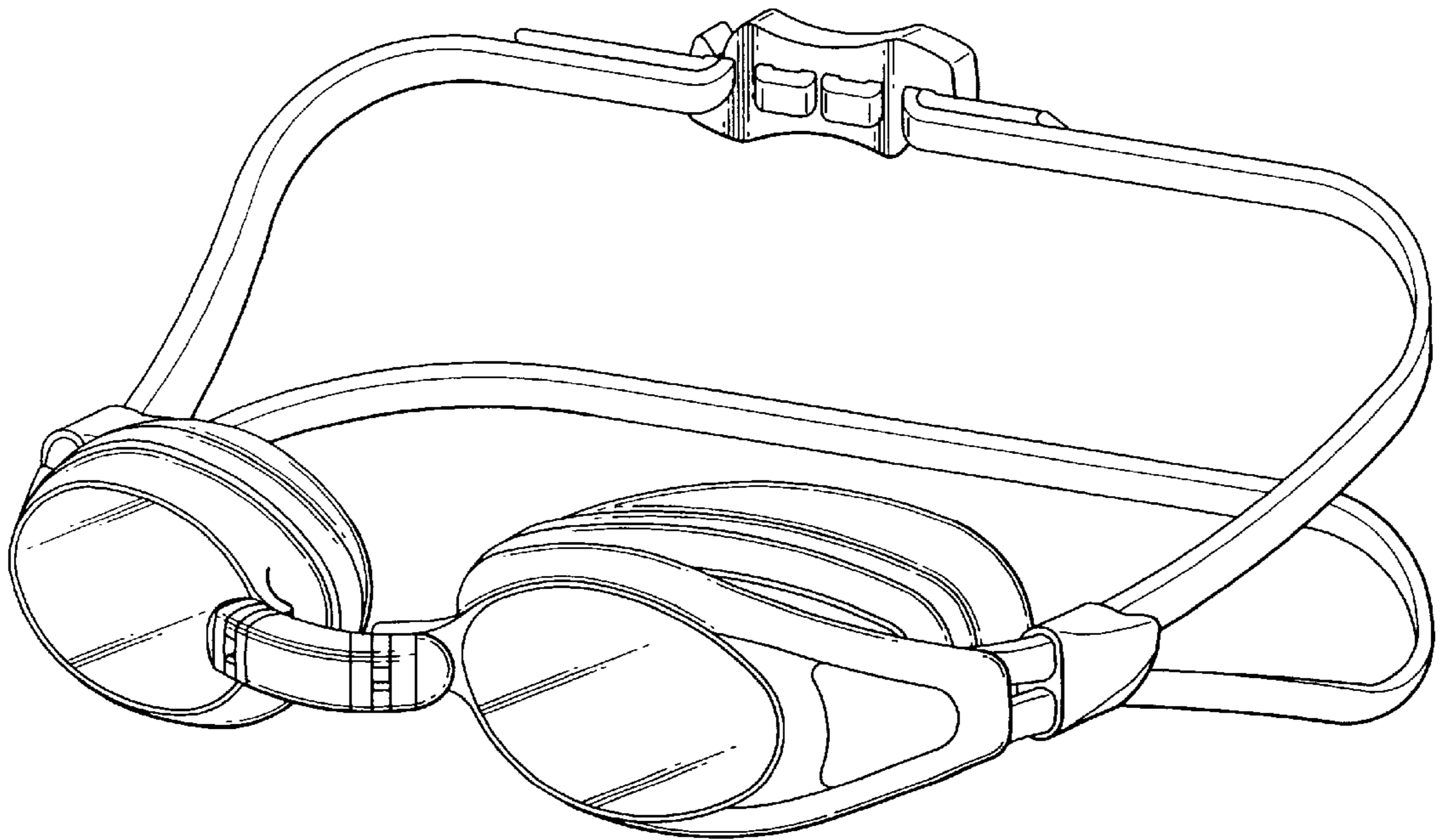
**DESCRIPTION**

FIG. 1 is a perspective view of swimming goggles showing my new design;  
 FIG. 2 is a top plan view of swimming goggles;  
 FIG. 3 is a front elevation view of swimming goggles;  
 FIG. 4 is a right side elevation view of swimming goggles;  
 FIG. 5 is a left side elevation view of swimming goggles;  
 FIG. 6 is a rear elevation view of swimming goggles;  
 FIG. 7 is a bottom view of swimming goggles;  
 FIG. 8 is a front view of swimming goggles with one of the lenses separated from the connecting piece;  
 FIG. 9 is a top view of swimming goggles expanded to the largest possible interval between the lenses;  
 FIG. 10 is a top view of swimming goggles contracted to the smallest possible interval between the lenses;  
 FIG. 11 is a top view of one lens disconnected from the strap and connecting piece;  
 FIG. 12 is a front view of one lens disconnected from the strap and connecting piece; and,  
 FIG. 13 is a right view of one lens disconnected from the strap and connecting piece.  
 FIGS. 11-13 are shown separately for ease of illustration only.

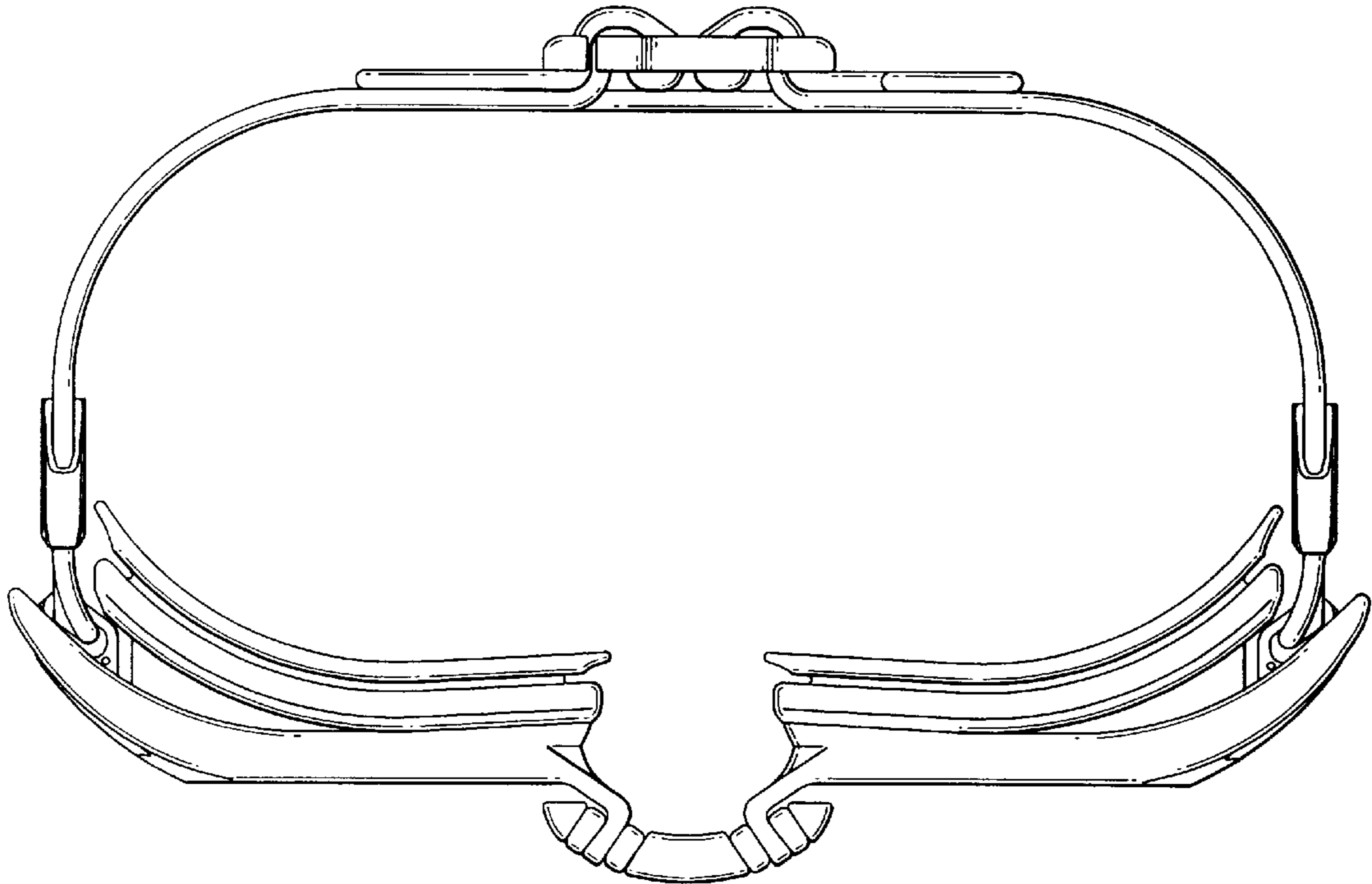
**1 Claim, 7 Drawing Sheets**



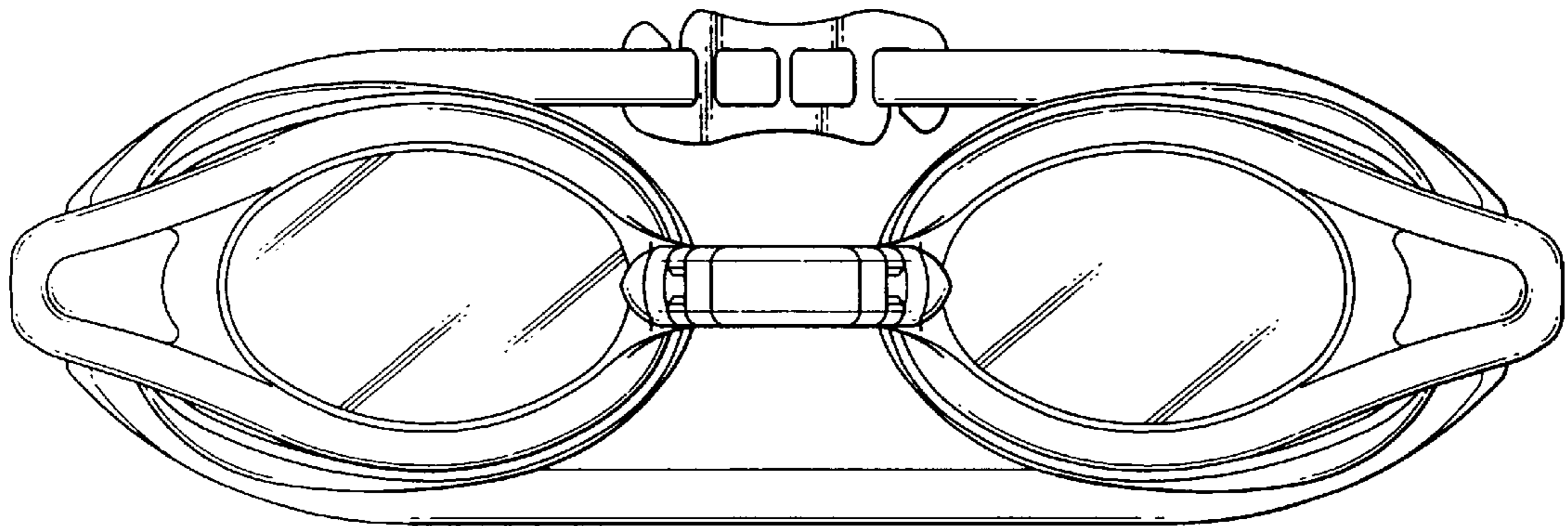
F I G . 1



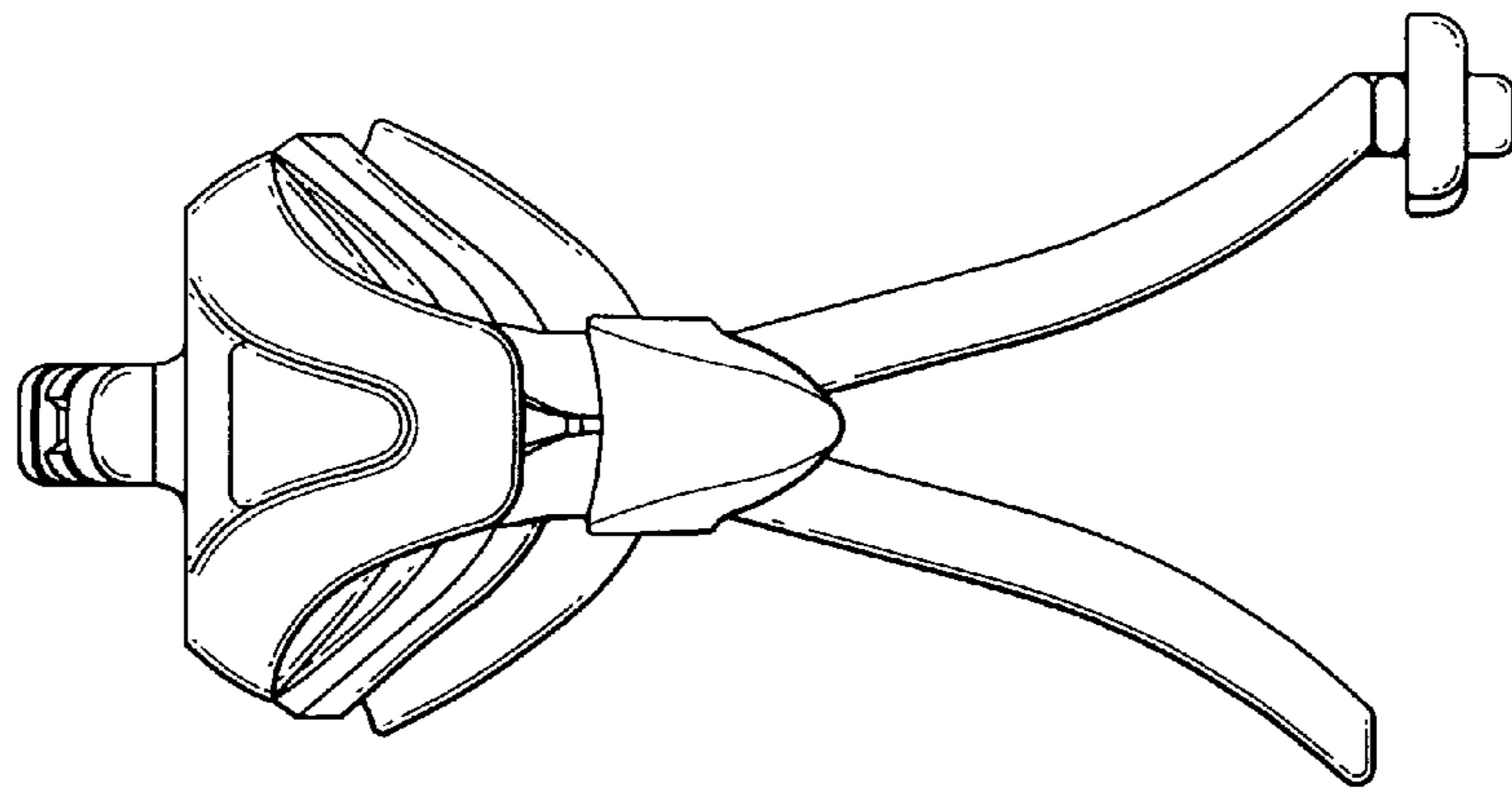
F I G . 2



F I G . 3



F I G . 4



F I G . 5

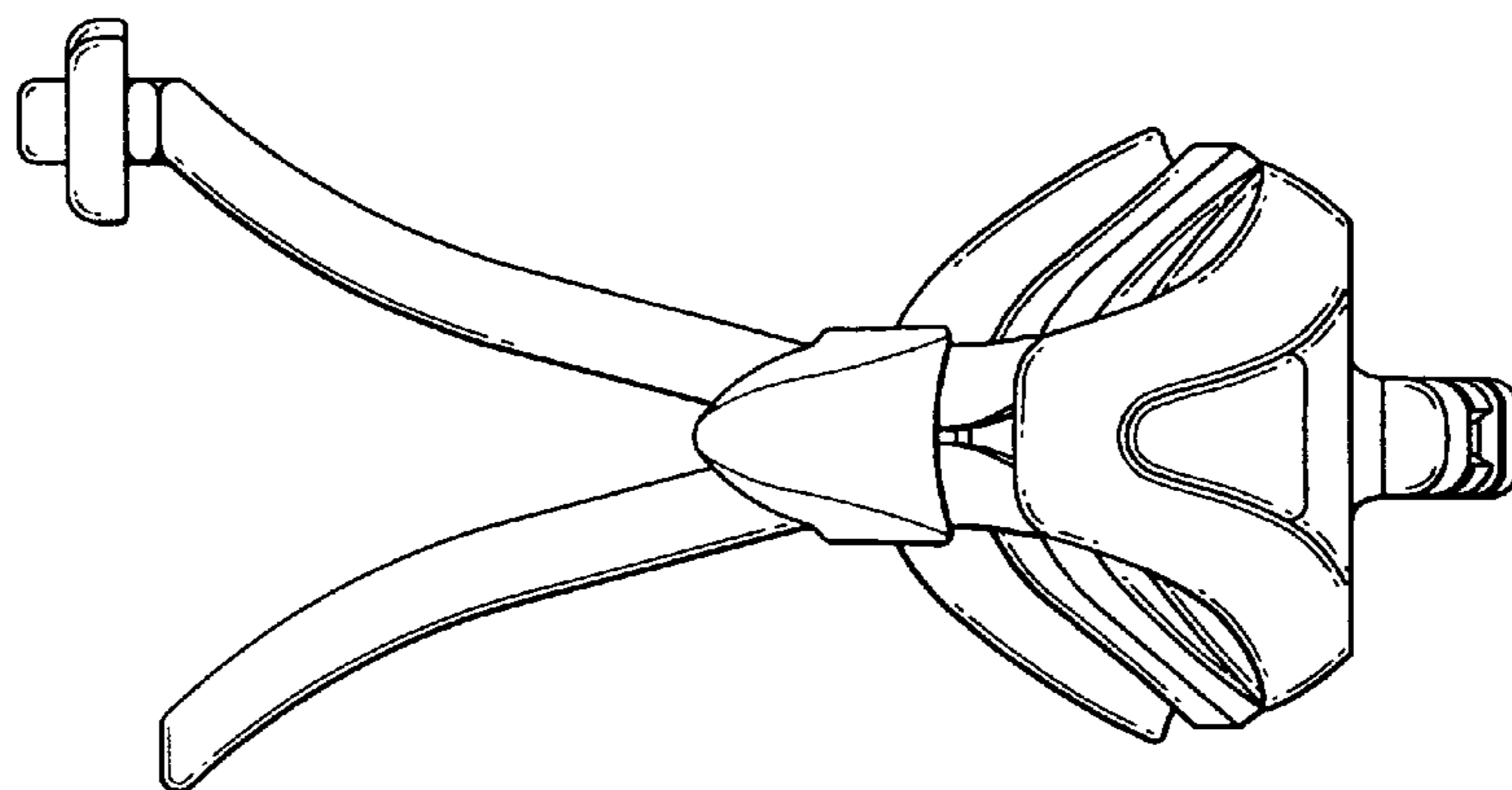


FIG. 6

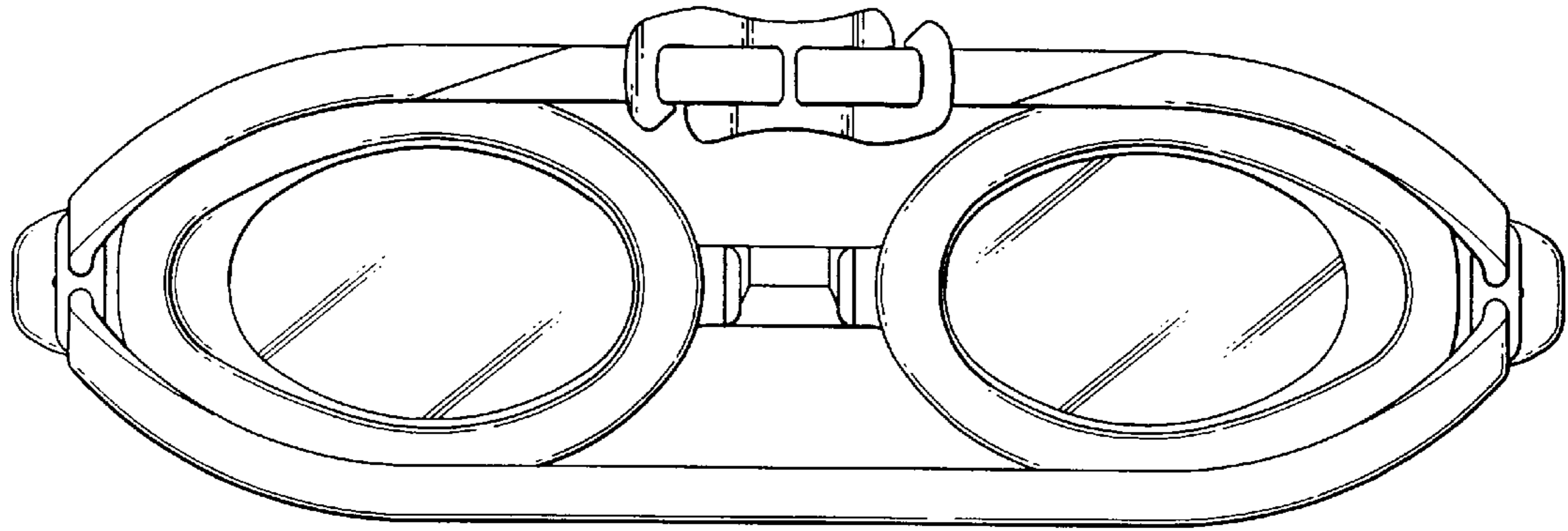
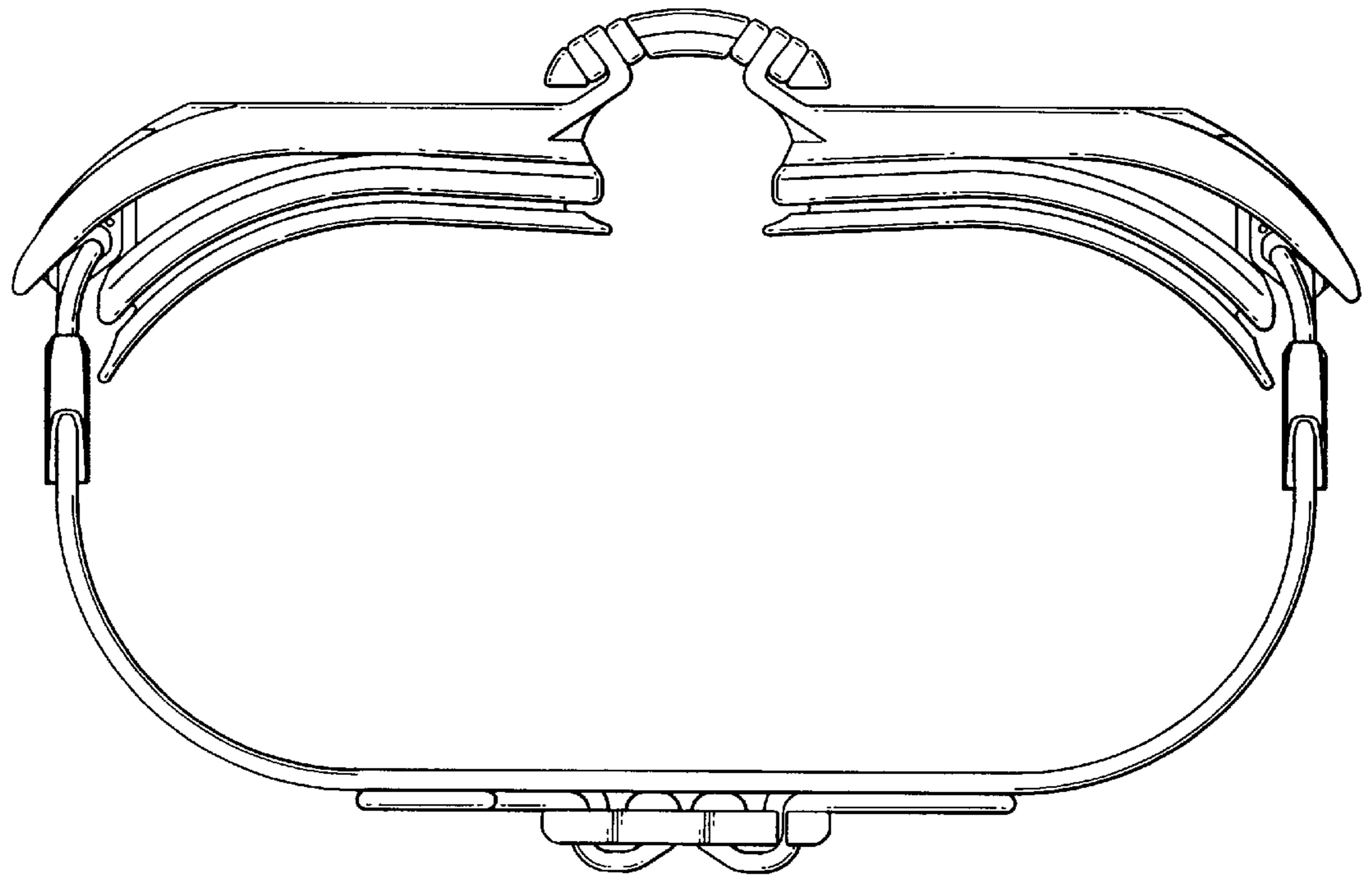
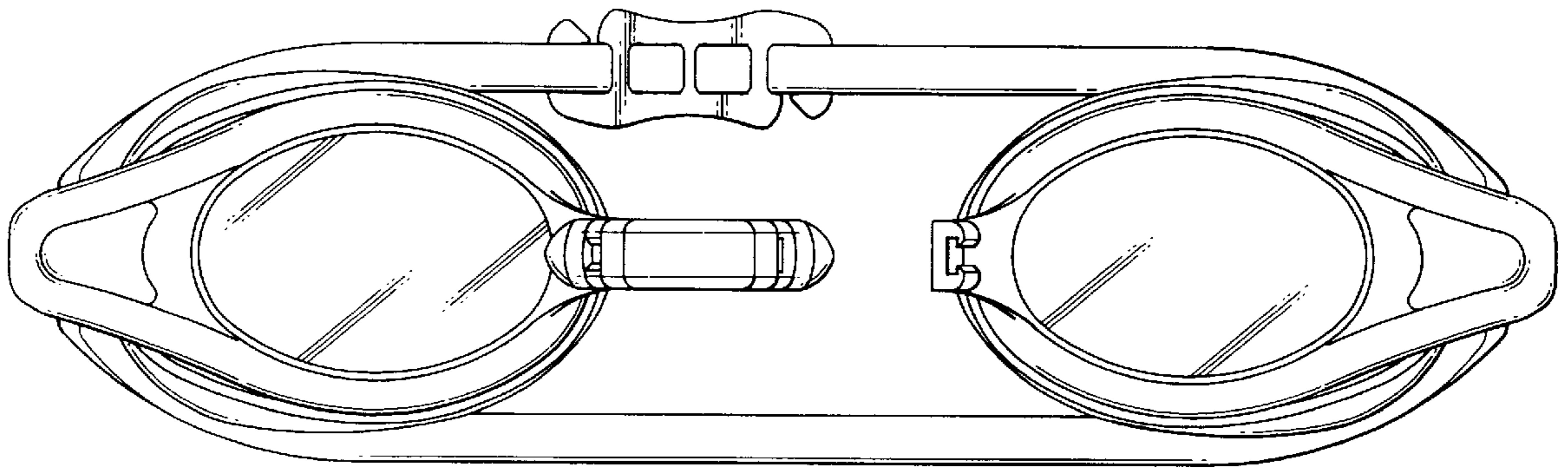


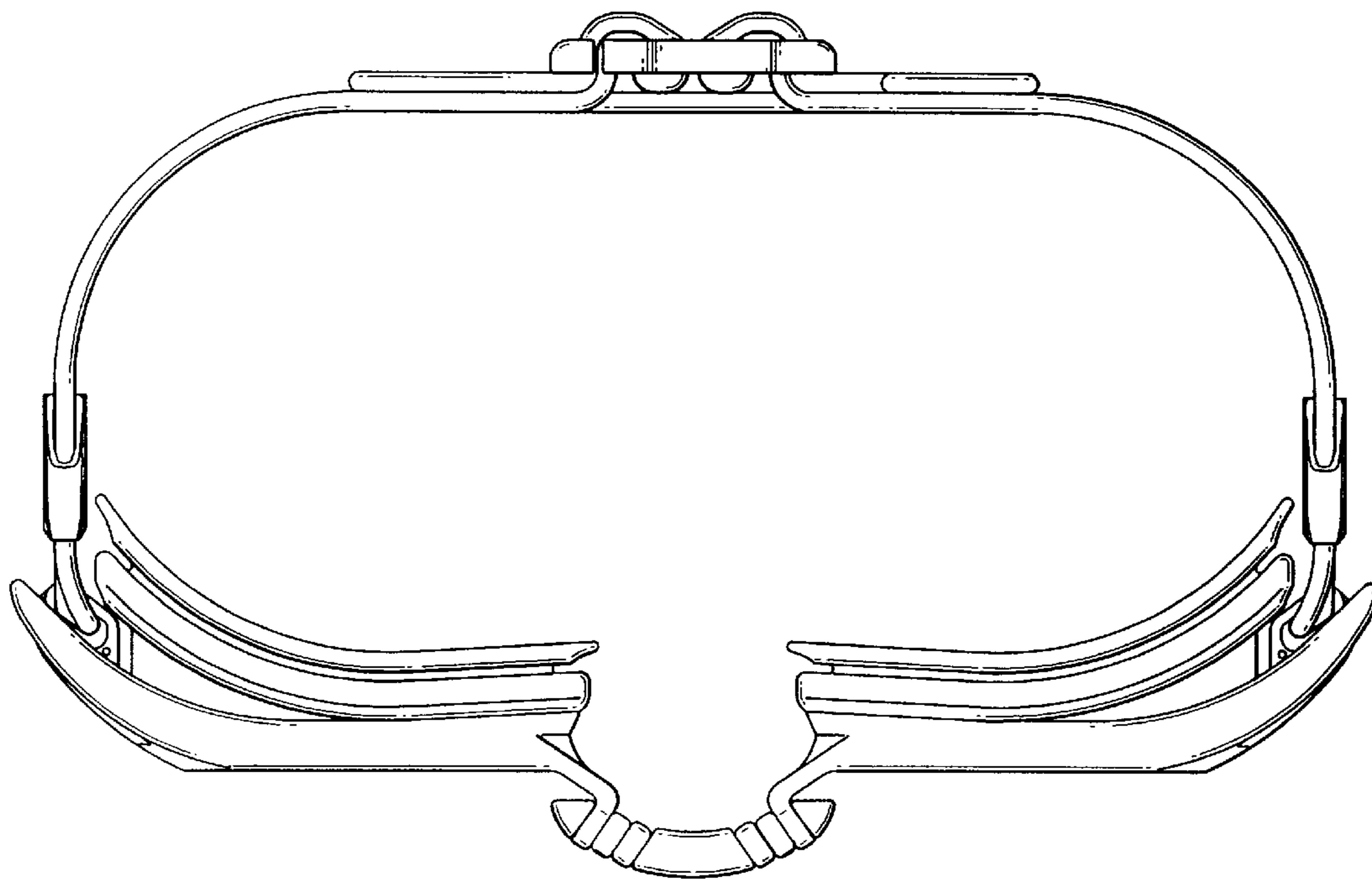
FIG. 7



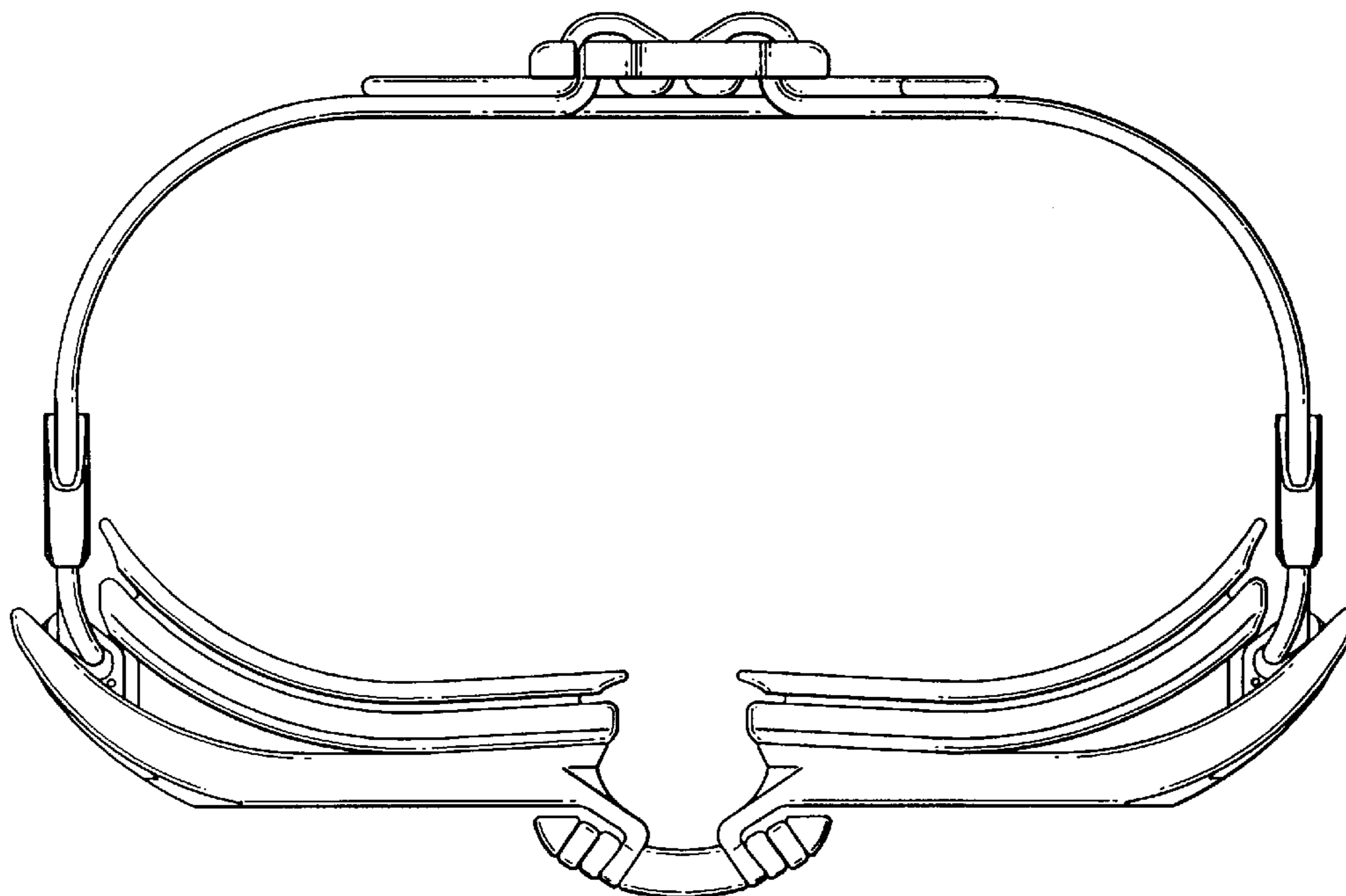
F I G . 8



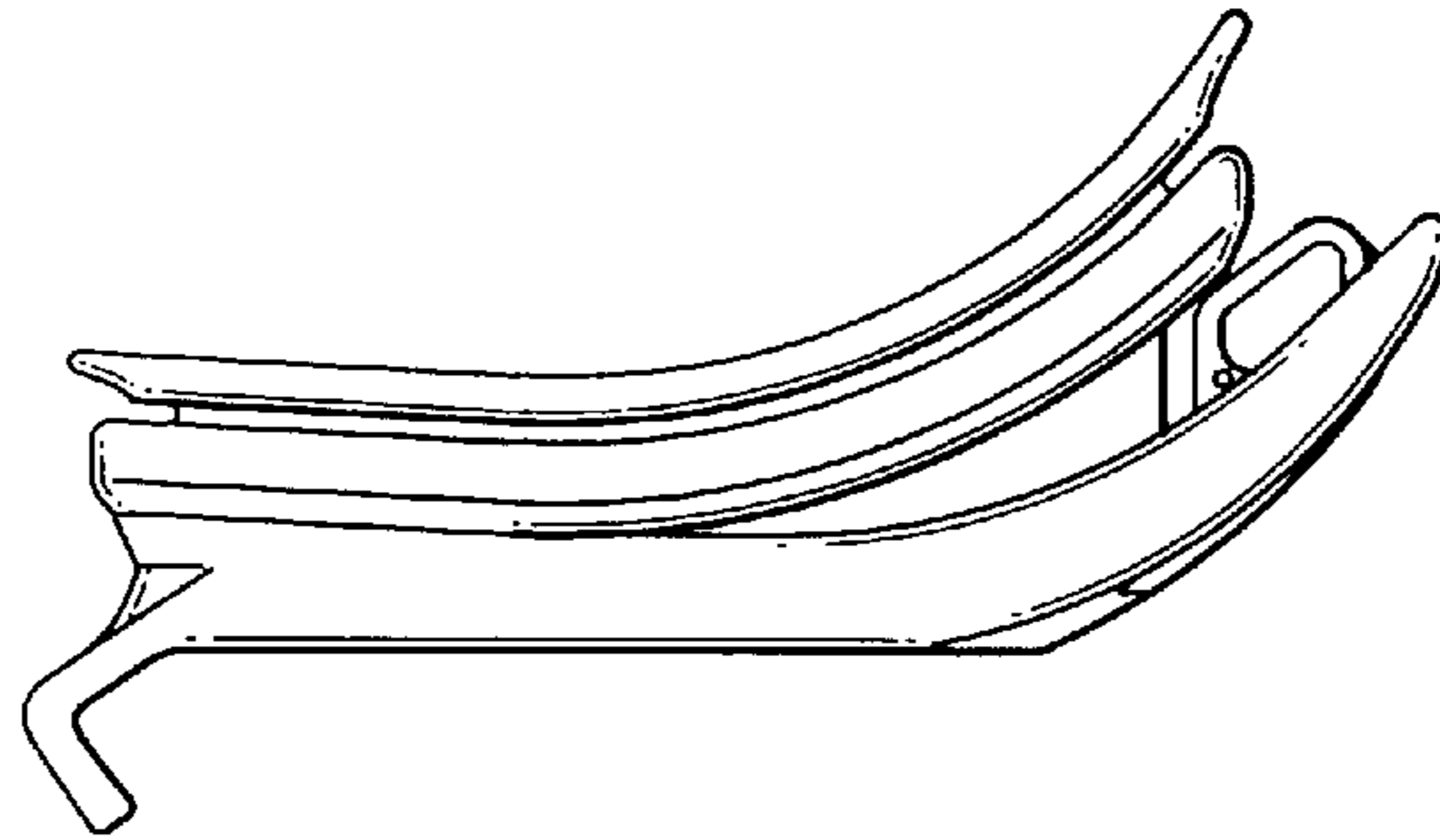
F I G . 9



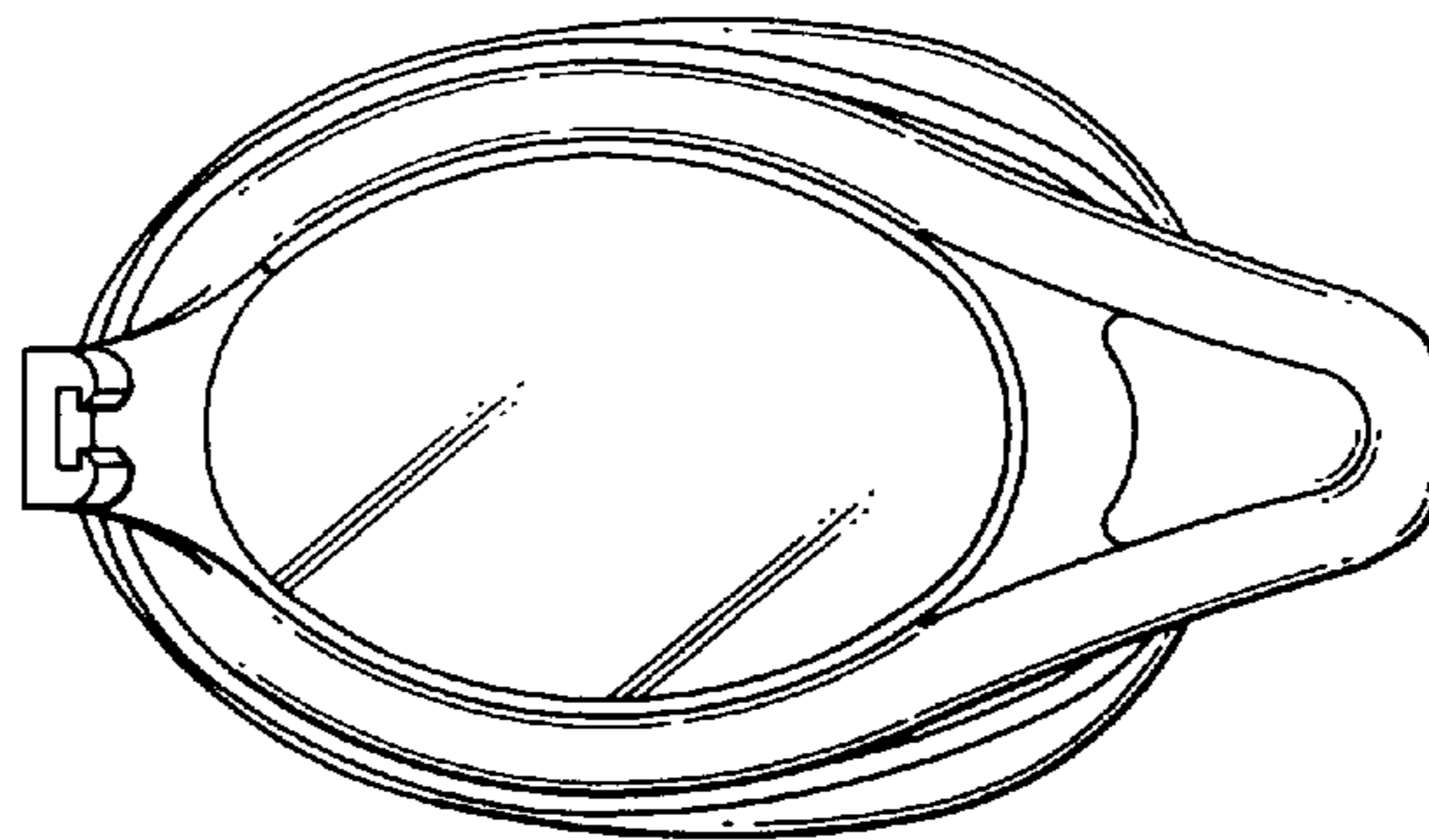
F I G . 1 0



F I G . 1 1



F I G . 1 2



F I G . 1 3

