



US00D422612S

United States Patent [19] Zhong

[11] **Patent Number: Des. 422,612**

[45] **Date of Patent: ** Apr. 11, 2000**

[54] **CAMERA**

[75] Inventor: **Jie Zhong**, Dongguan, China

[73] Assignee: **Ginfax Development Ltd.**, Chai Wan,
The Hong Kong Special Administrative
Region of the People's Republic of
China

[**] Term: **14 Years**

[21] Appl. No.: **29/105,677**

[22] Filed: **May 28, 1999**

[30] **Foreign Application Priority Data**

Apr. 8, 1999 [HK] The Hong Kong Special Administra-
tive Region of the People's Republic
of China 9910391

[51] **LOC (6) Cl.** **16-01**

[52] **U.S. Cl.** **D16/209; D16/218**

[58] **Field of Search** **D16/200-205,**
D16/208, 209, 216-218; 396/6, 535, 536-543

[56] **References Cited**

U.S. PATENT DOCUMENTS

D. 353,606 12/1994 Horikiri et al. D16/208

D. 390,245 2/1998 Kumakura D16/209
5,361,111 11/1994 Yamashina et al. 396/6
5,601,956 2/1997 Inuiya 396/6

Primary Examiner—Adir Aronovich
Attorney, Agent, or Firm—Alix, Yale & Ristas, LLP

[57] **CLAIM**

The ornamental design for a camera, as shown and described.

DESCRIPTION

FIG. 1 is a front perspective view of the camera showing my new design;

FIG. 2 is a front view of the camera of FIG. 1;

FIG. 3 is a rear view of the camera of FIG. 1;

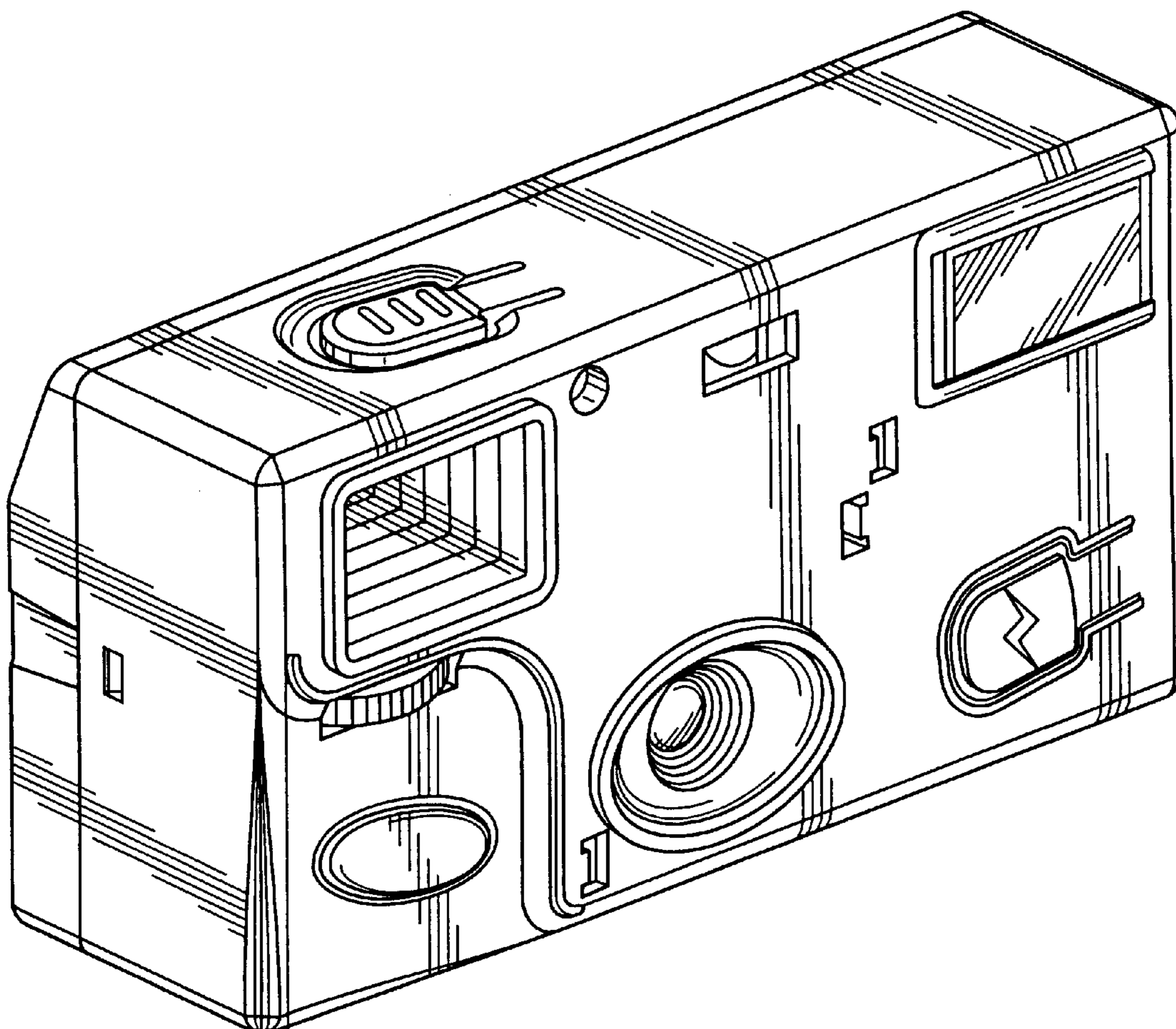
FIG. 4 is a left side view of the camera of FIG. 1;

FIG. 5 is a right side view of the camera of FIG. 1;

FIG. 6 is a top plan view of the camera of FIG. 1; and,

FIG. 7 is a bottom plan view of the camera of FIG. 1.

1 Claim, 4 Drawing Sheets



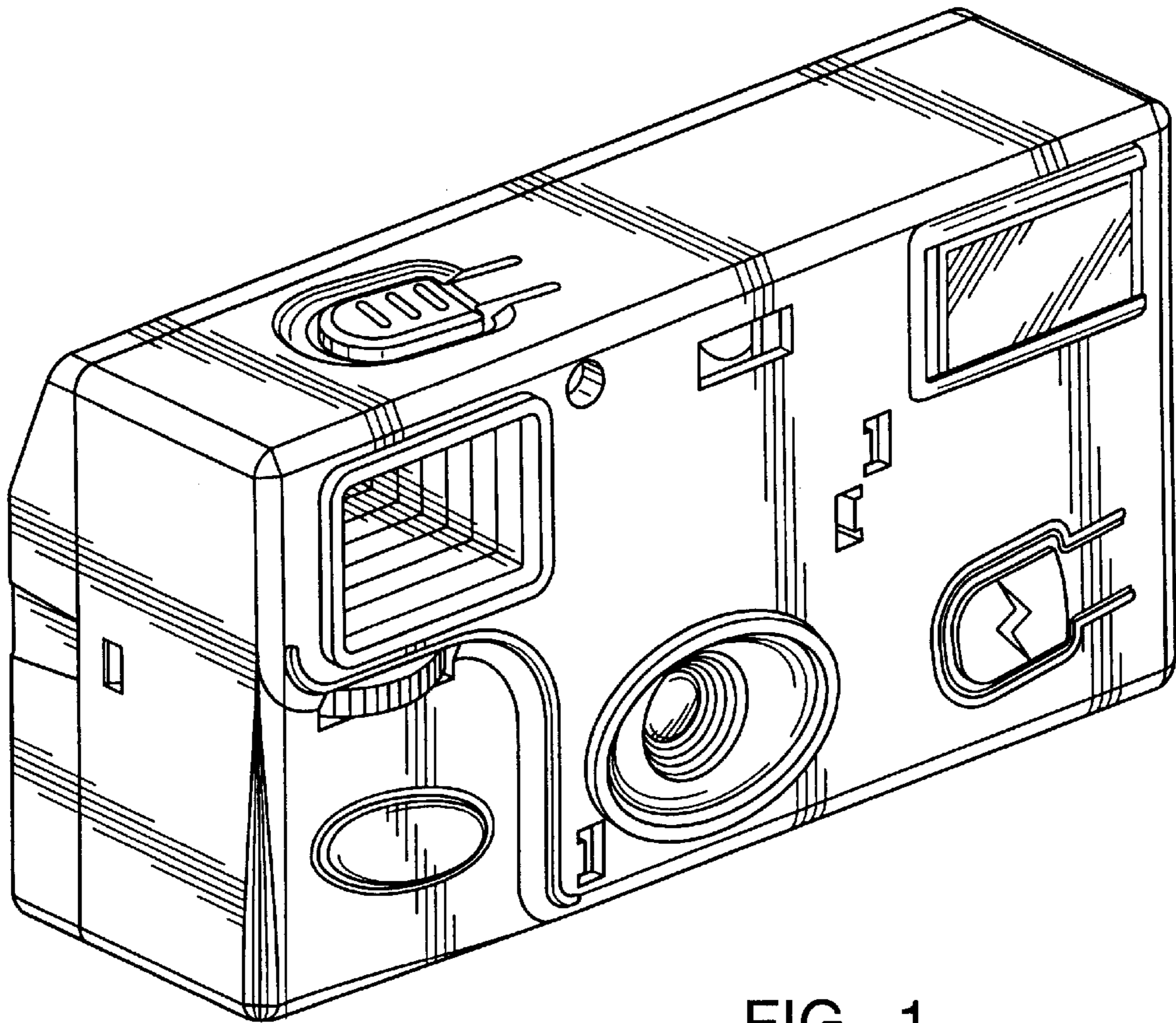


FIG. 1

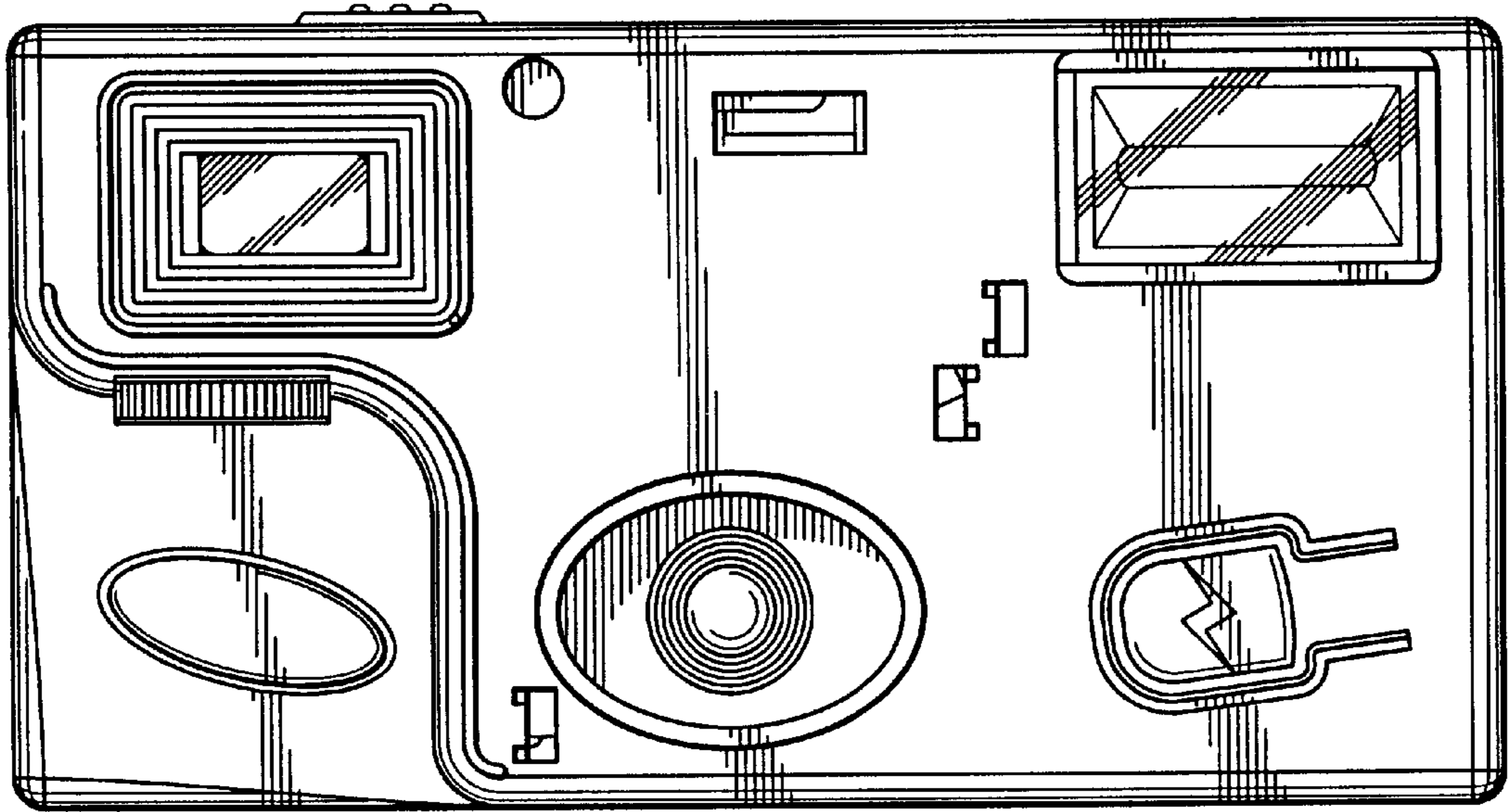


FIG. 2

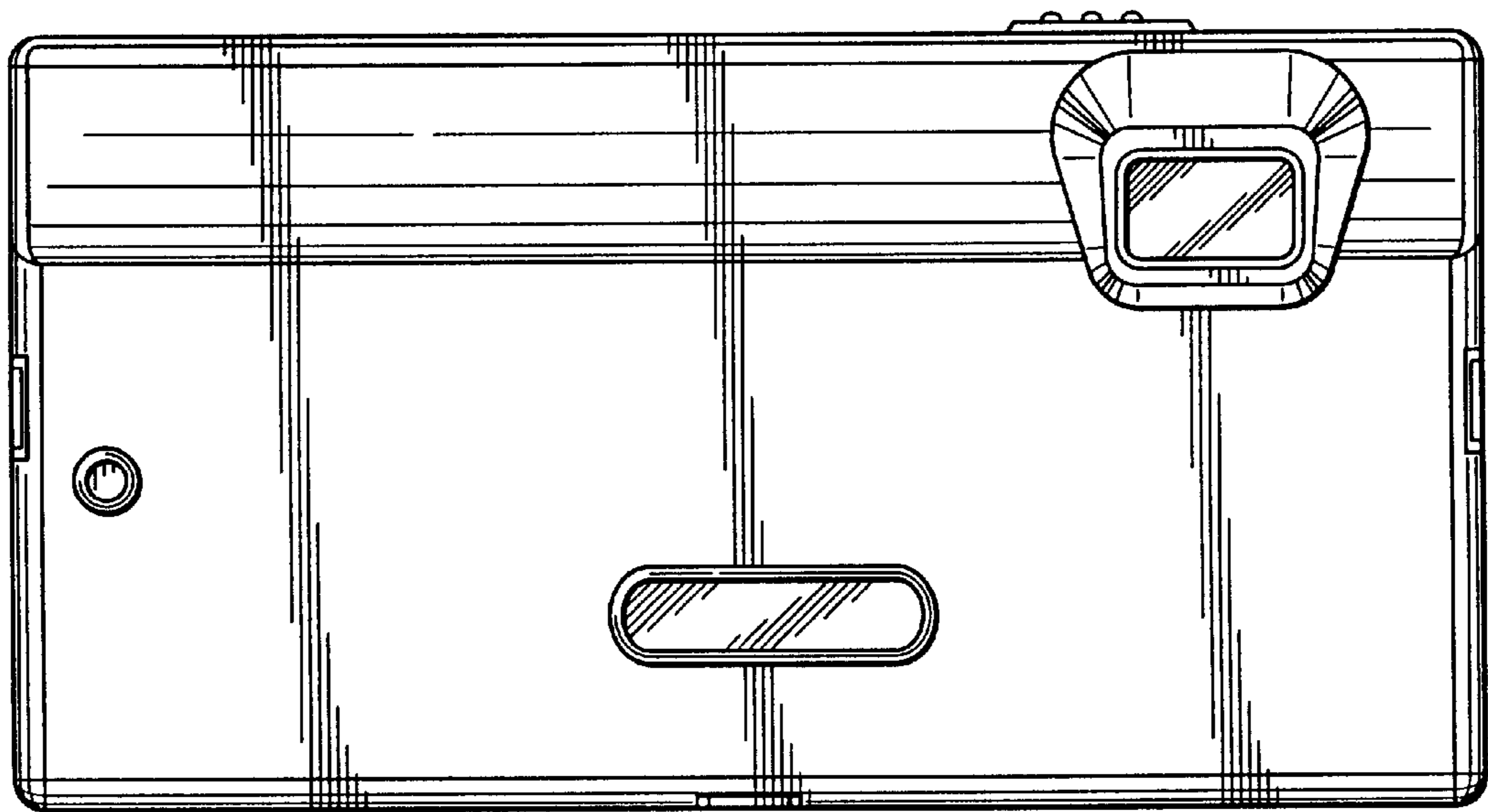


FIG. 3

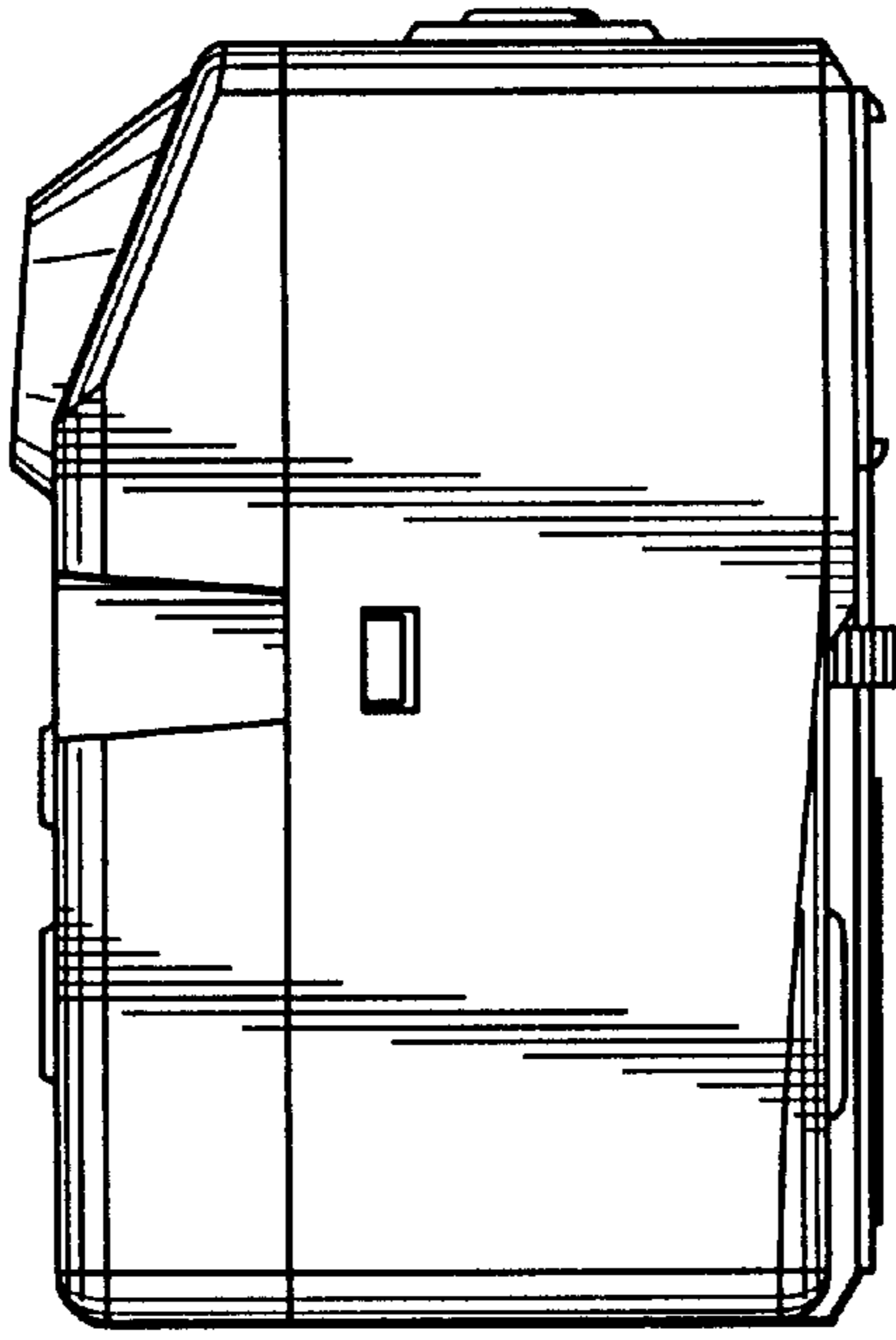


FIG. 4

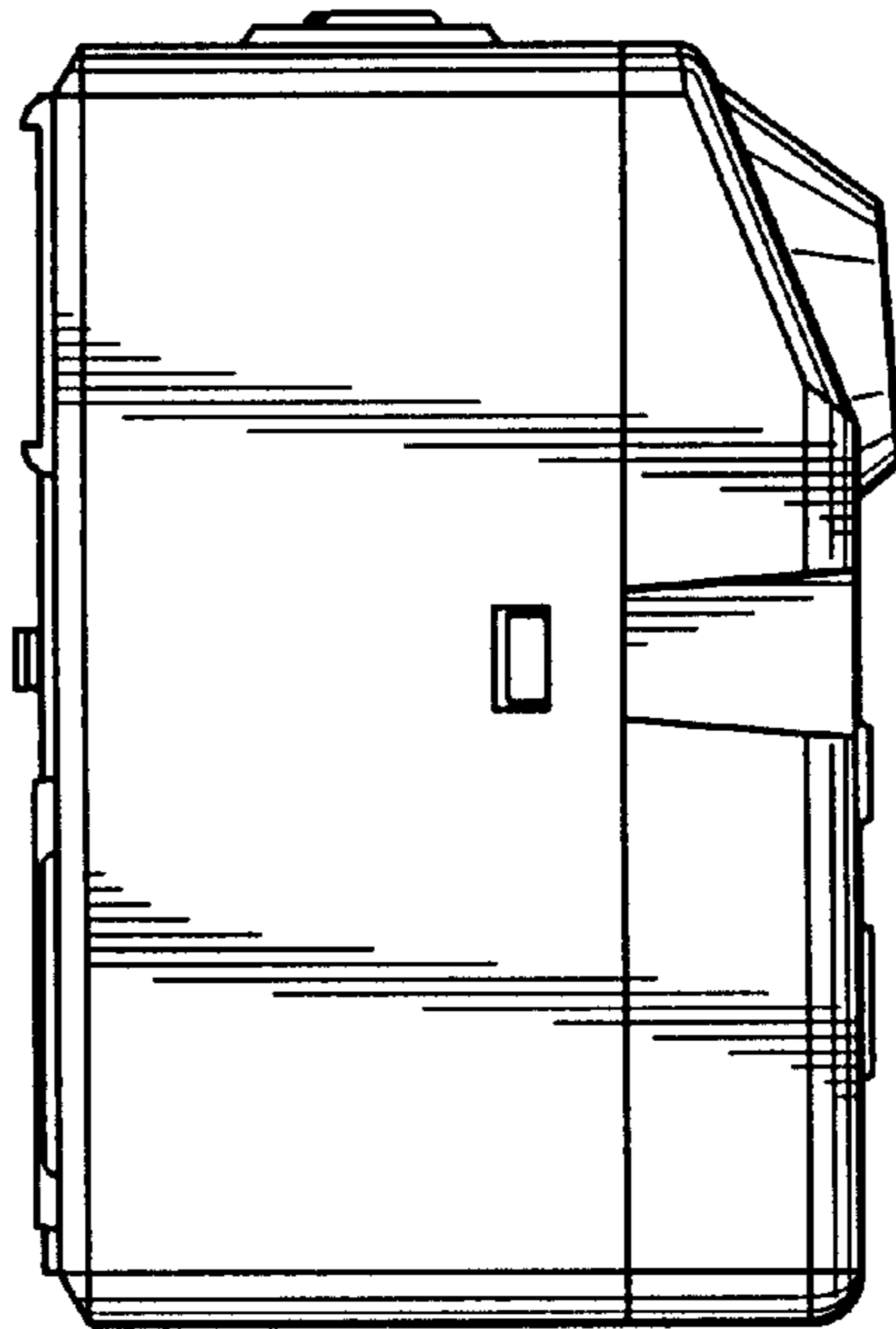


FIG. 5

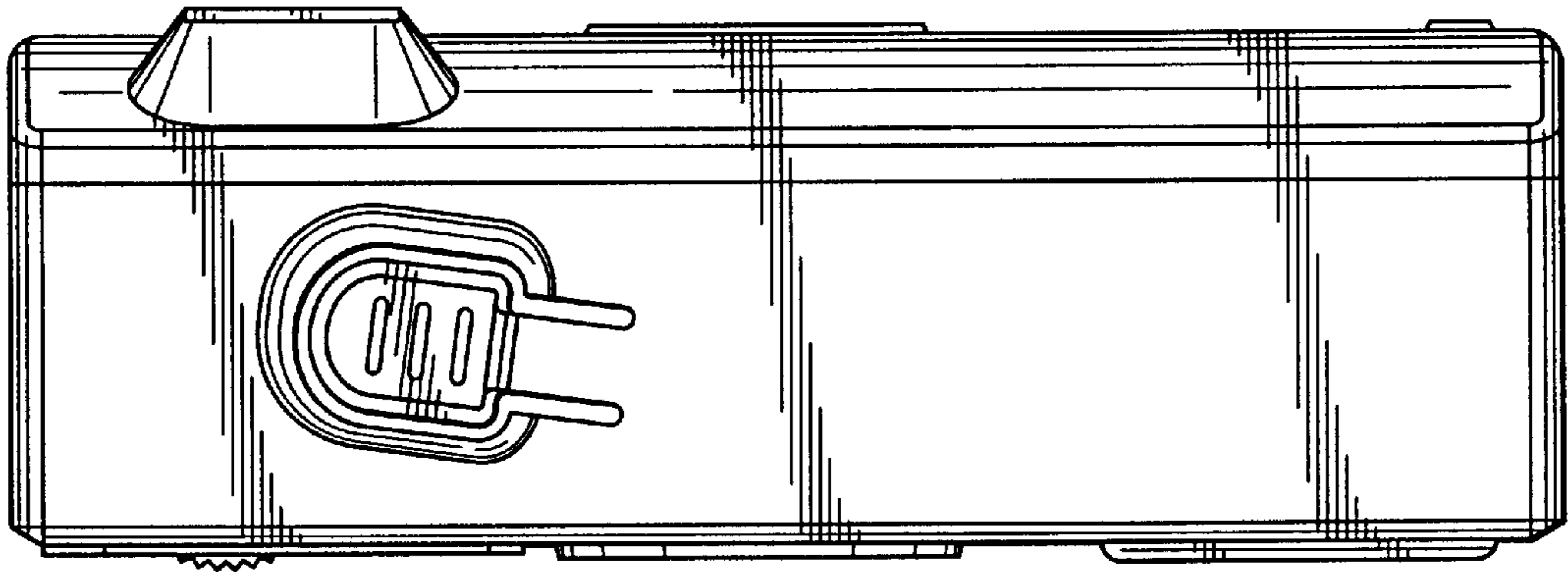


FIG. 6

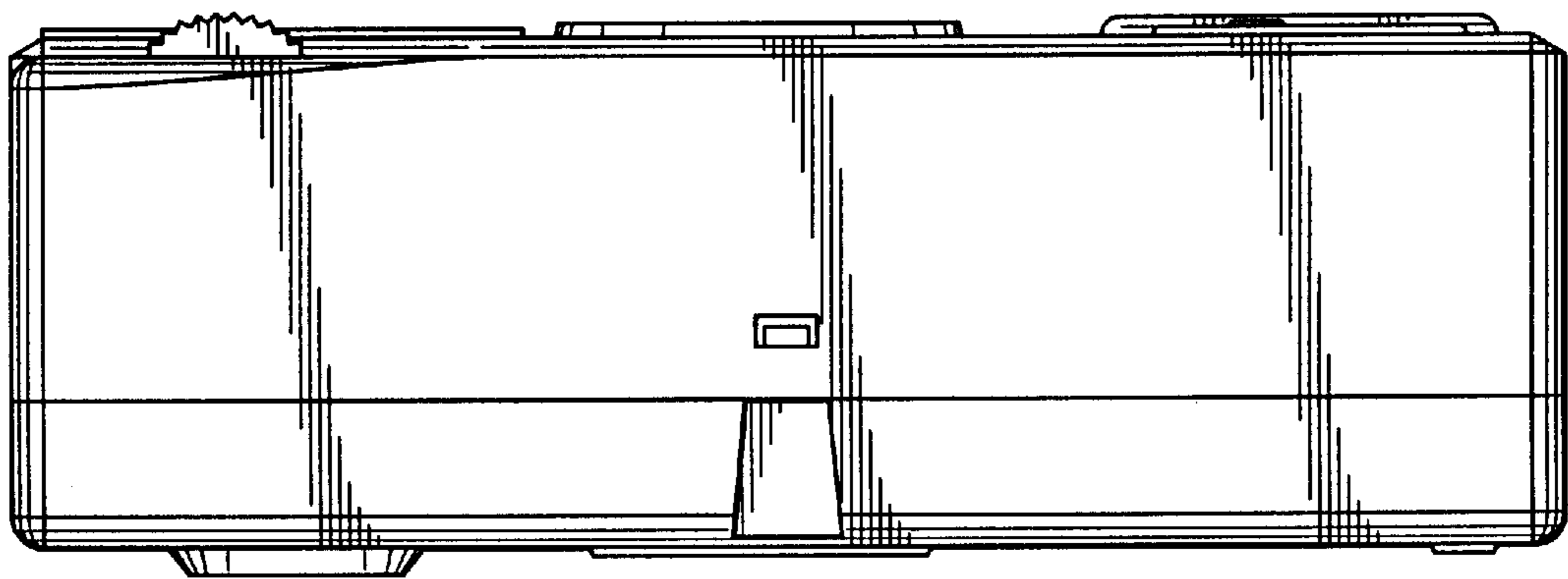


FIG. 7