



US00D422610S

United States Patent [19]

Diebel et al.

[11] Patent Number: **Des. 422,610**

[45] Date of Patent: **** Apr. 11, 2000**

[54] **AUTOMATED TELESCOPE**

[75] Inventors: **John C. Diebel**, Newport Beach; **John E. Smith**, Mission Viejo; **Clair A. Samhammer**, Orange; **David M. Hines**, Santa Ana, all of Calif.

[73] Assignee: **Meade Instruments Corporation**, Irvine, Calif.

[**] Term: **14 Years**

[21] Appl. No.: **29/101,103**

[22] Filed: **Feb. 25, 1999**

[51] **LOC (6) Cl.** **16-06**

[52] **U.S. Cl.** **D16/132**

[58] **Field of Search** D16/130, 132; 359/363, 364, 368, 383, 399, 400, 401, 402, 403, 405-409, 421, 422, 430, 788; 356/247; 318/685; D8/353; D14/140, 142

[56] **References Cited**

U.S. PATENT DOCUMENTS

- D. 175,388 8/1955 Braymor D16/132
- D. 199,371 10/1964 Kraus D16/132
- D. 253,476 11/1979 Schneck et al. D16/132

- D. 268,768 4/1983 Melsheimer et al. D16/132
- D. 289,057 3/1987 Huckenbeck D16/132
- D. 390,583 2/1998 Diebel et al. D16/132
- D. 392,657 3/1998 Diebel et al. D16/132
- 4,400,065 8/1983 Nagler 359/788
- 4,632,547 12/1986 Kaplan et al. 356/247 X
- 4,682,091 7/1987 Krewalk et al. 318/685
- 5,537,249 7/1996 Masunaga et al. 359/407

Primary Examiner—Paula A. Mortimer
Attorney, Agent, or Firm—Christie, Parker & Hale, LLP

[57] **CLAIM**

The ornamental design for automated telescope, as shown and described.

DESCRIPTION

FIG. 1 is a right rear perspective view of a telescope showing our new design;
FIG. 2 is a side elevational view of the right side thereof;
FIG. 3 is a front elevational view thereof;
FIG. 4 is a side elevational view of the left side thereof;
FIG. 5 is a rear elevational view thereof;
FIG. 6 is top plan view of the telescope oriented as in FIG. 2; and,
FIG. 7 is bottom plan view thereof.

1 Claim, 7 Drawing Sheets

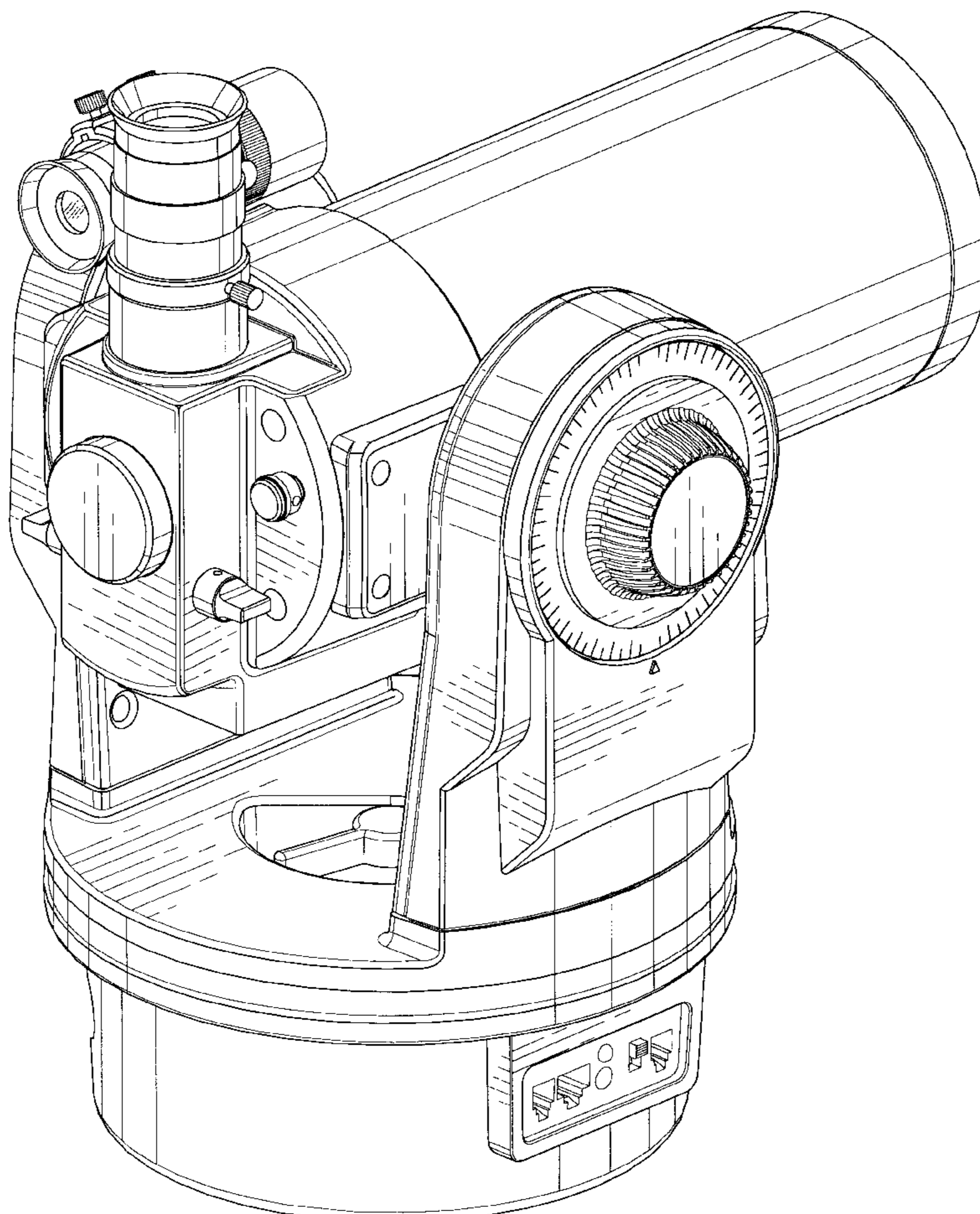


FIG. 1

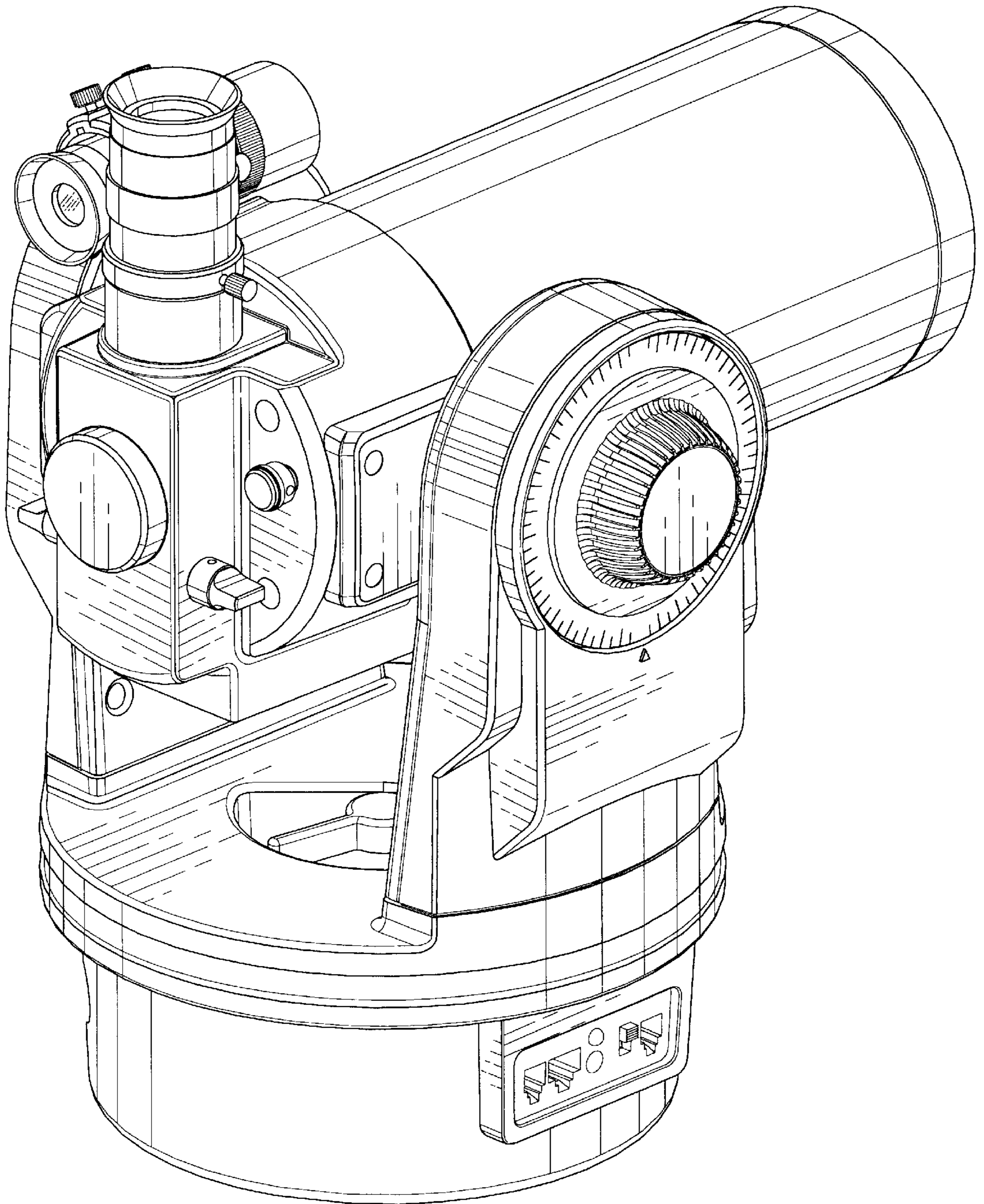


FIG. 2

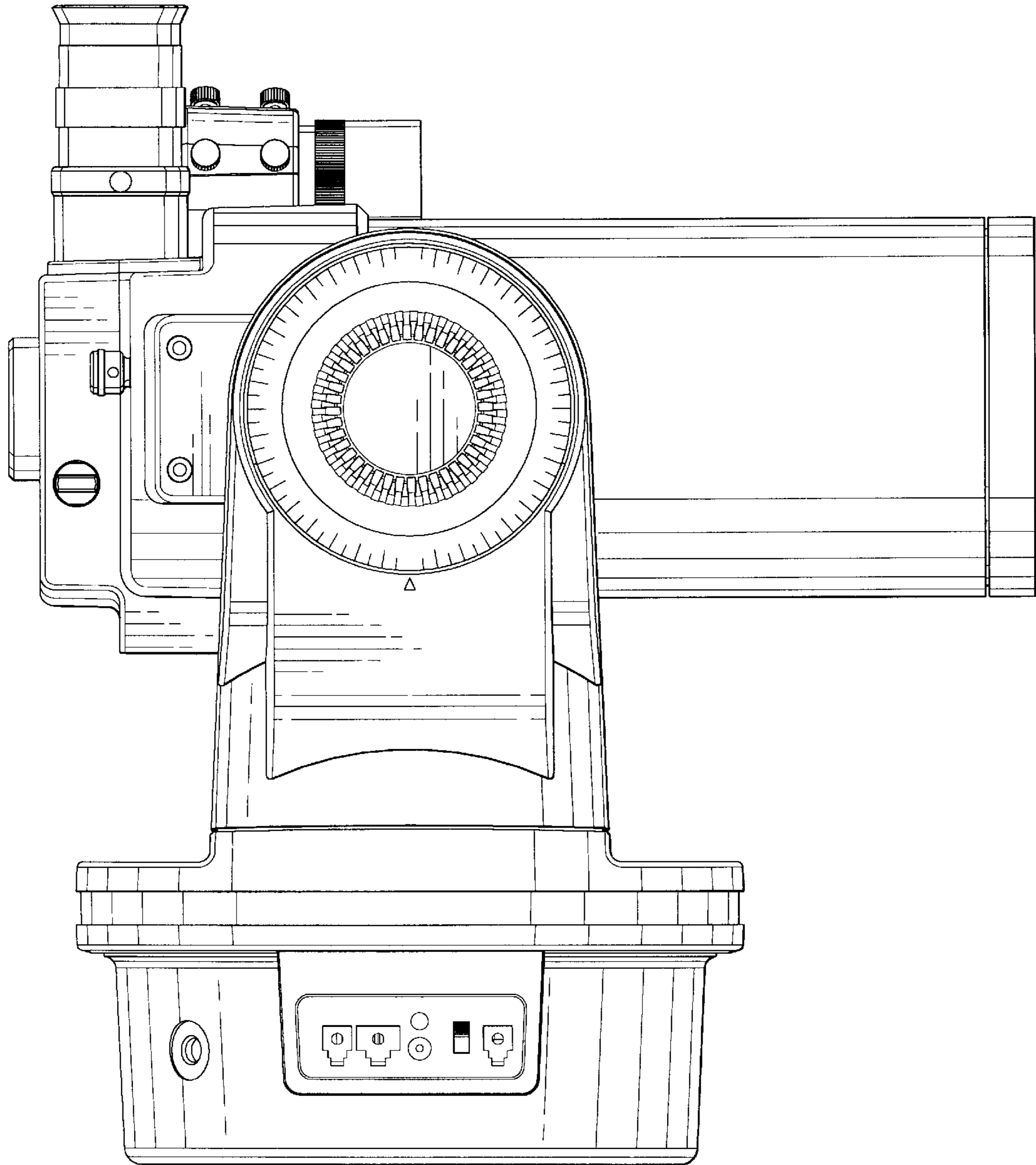


FIG. 3

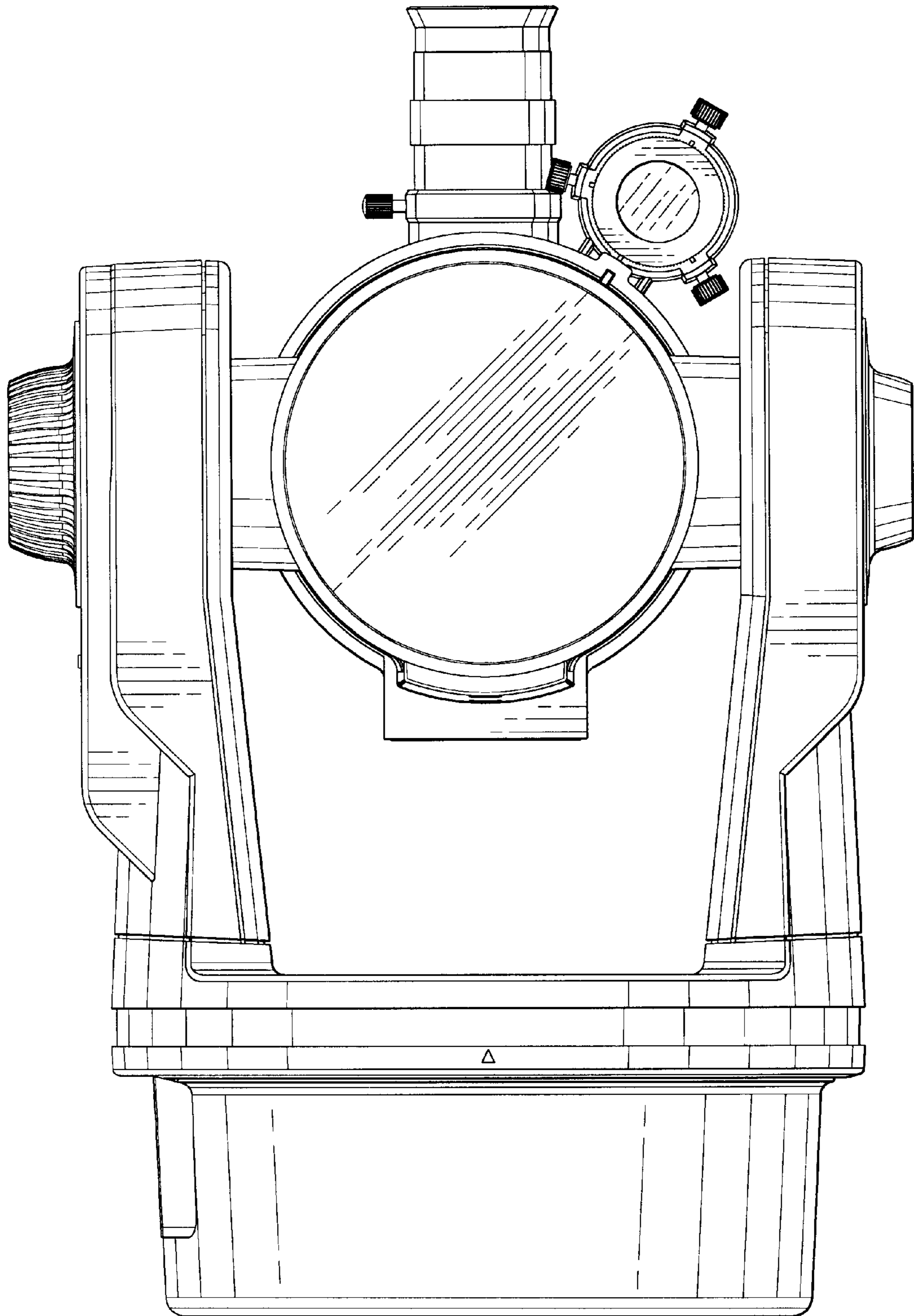


FIG. 4

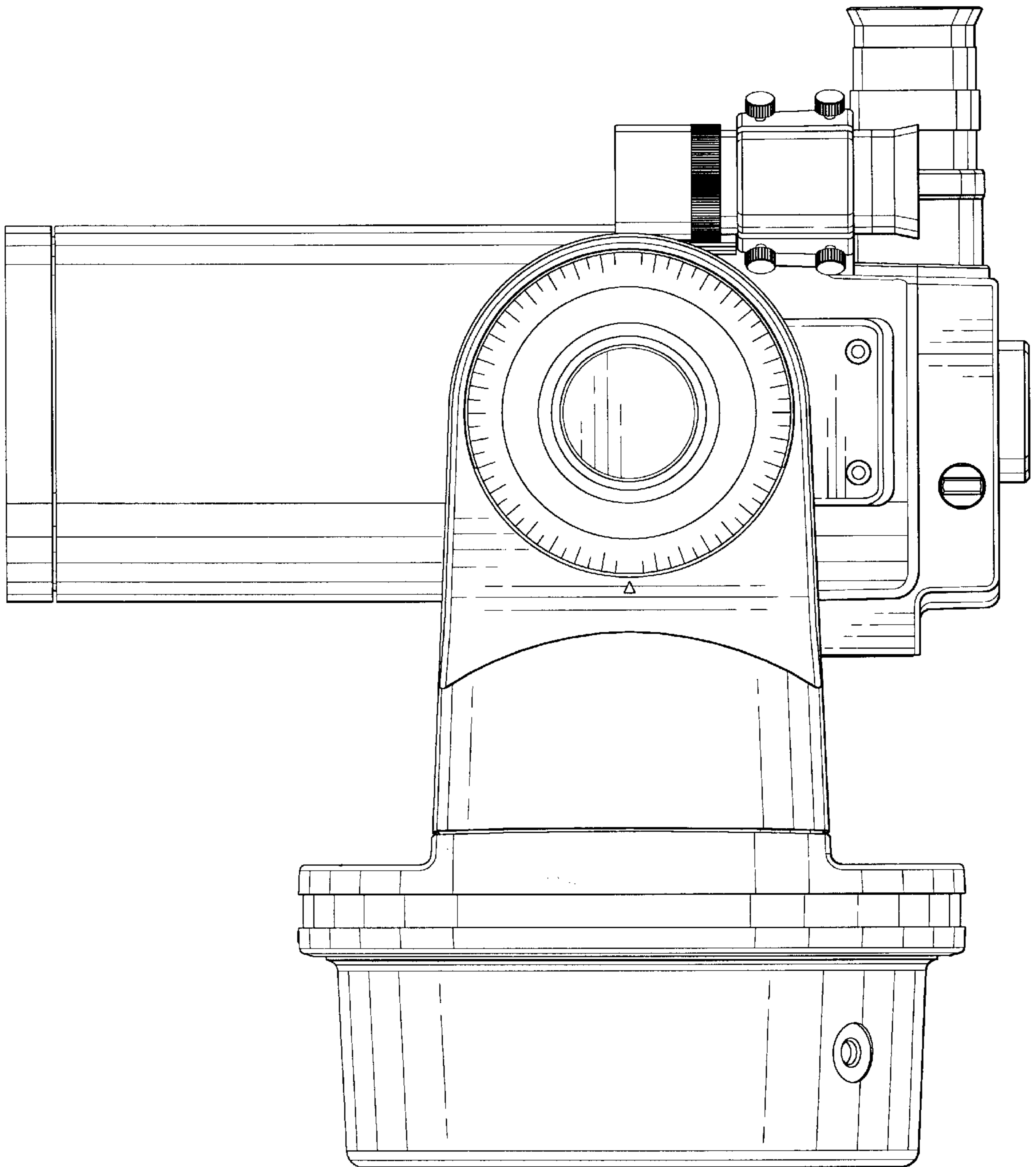


FIG. 5

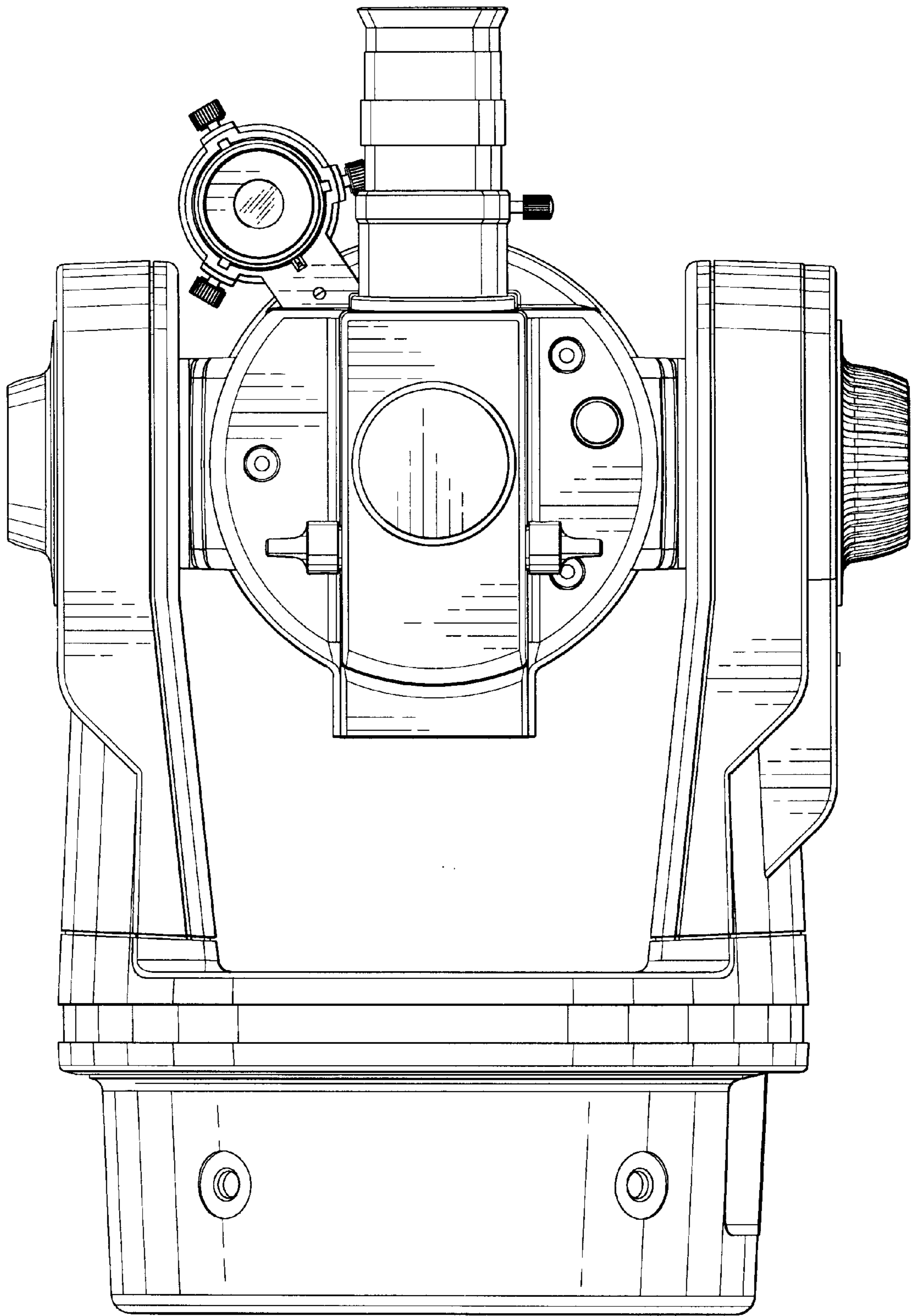


FIG. 6

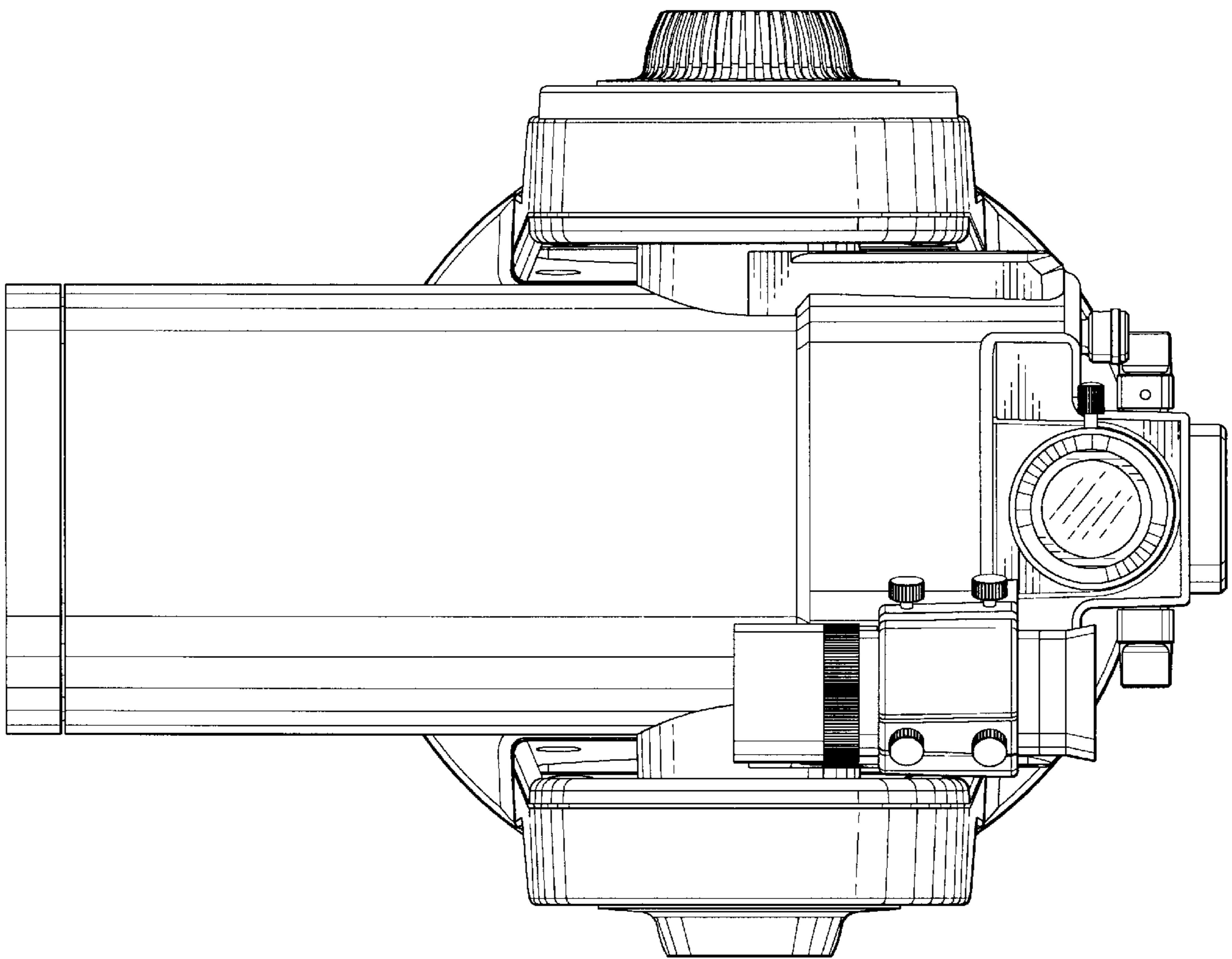


FIG. 7

