



US00D422607S

United States Patent [19]

[11] **Patent Number: Des. 422,607**

Turner et al.

[45] **Date of Patent: ** Apr. 11, 2000**

[54] **APPARATUS FOR CUTTING/BREAKING TILES**

[75] Inventors: **Stuart Harold Turner**, Etwall; **Paul Steabben Hepworth**, Guilford, both of United Kingdom

[73] Assignee: **Plasplugs, Inc.**, Lakewood, N.J.

[**] Term: **14 Years**

[21] Appl. No.: **29/100,393**

[22] Filed: **Feb. 10, 1999**

[30] **Foreign Application Priority Data**

Aug. 15, 1998 [GB] United Kingdom 2076863

[51] **LOC (6) Cl.** **15-09**

[52] **U.S. Cl.** **D15/127**

[58] **Field of Search** D15/127; 125/23.01, 125/23.02; 225/96.5, 96; 83/886

[56] **References Cited**

U.S. PATENT DOCUMENTS

D. 291,578 8/1987 Hepworth D15/127
D. 331,762 12/1992 Matt D15/127
5,169,045 12/1992 Liu 225/96.5

Primary Examiner—Antoine Duval Davis
Attorney, Agent, or Firm—Michaelson & Wallace; Peter L. Michaelson

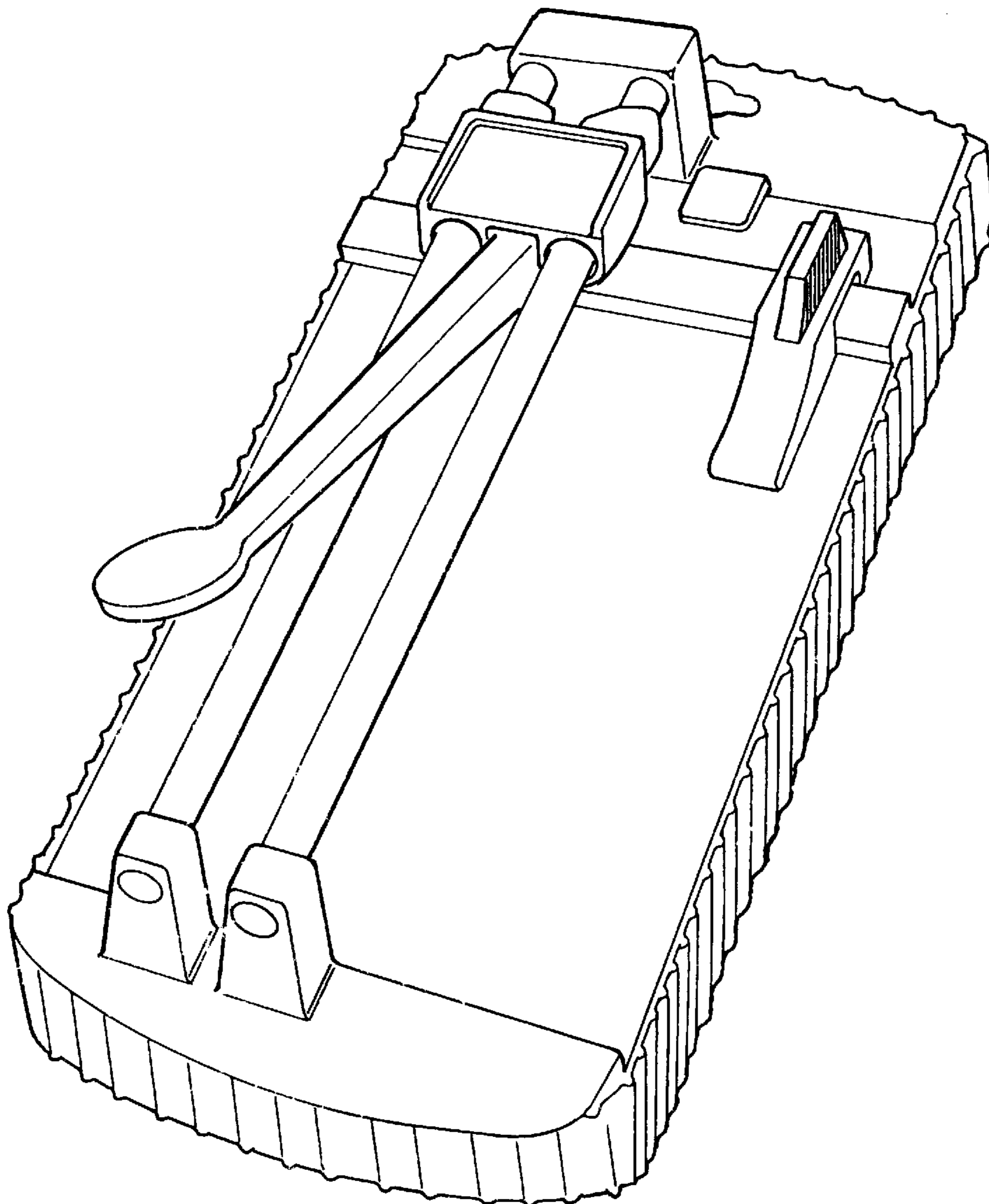
[57] **CLAIM**

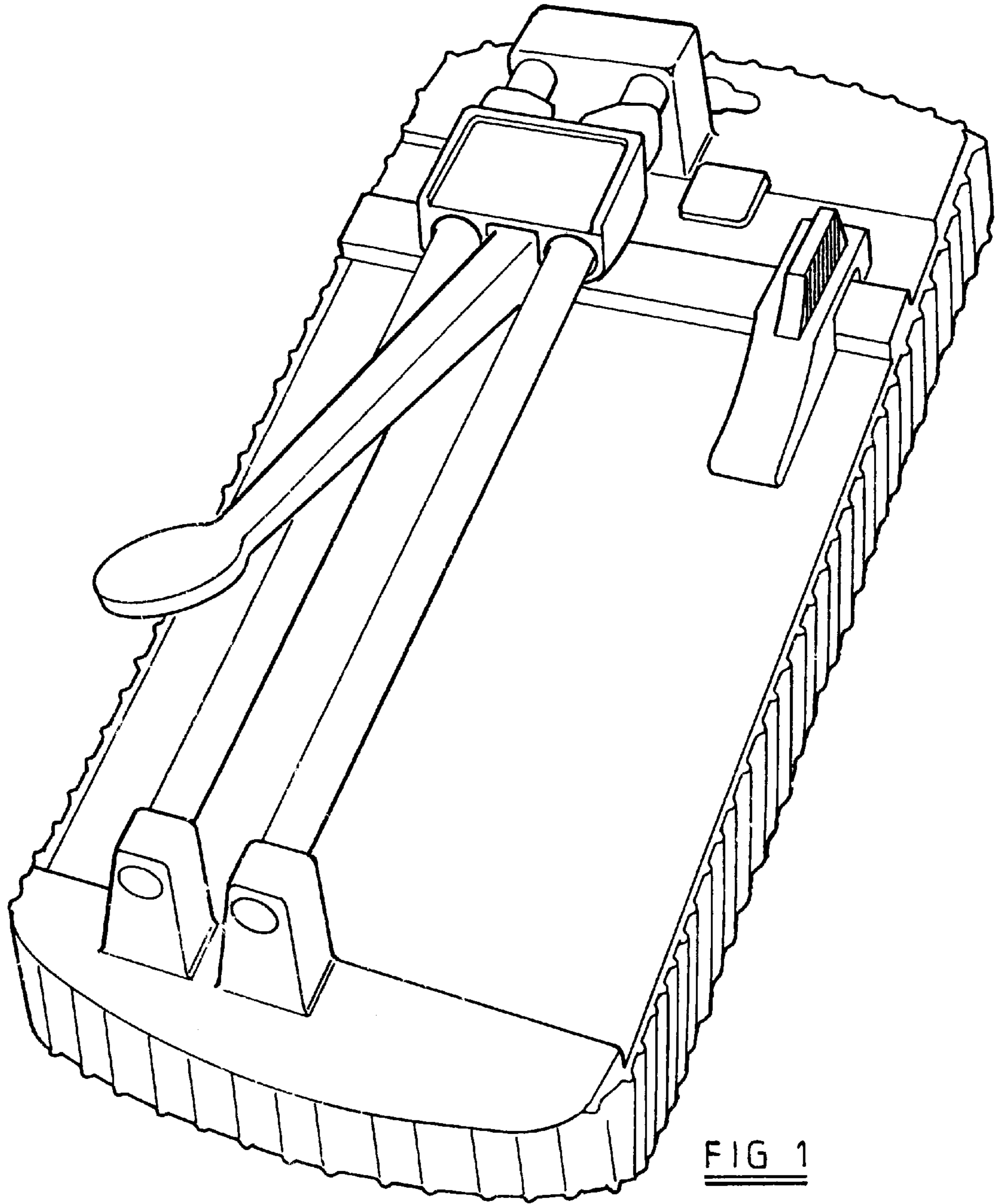
The ornamental design for a apparatus for cutting/breaking tiles, as shown herein.

DESCRIPTION

FIG. 1 is a perspective view of the apparatus for cutting/breaking tiles from above; and, FIG. 2 is a perspective view of the apparatus for cutting/breaking tiles from below.

1 Claim, 2 Drawing Sheets





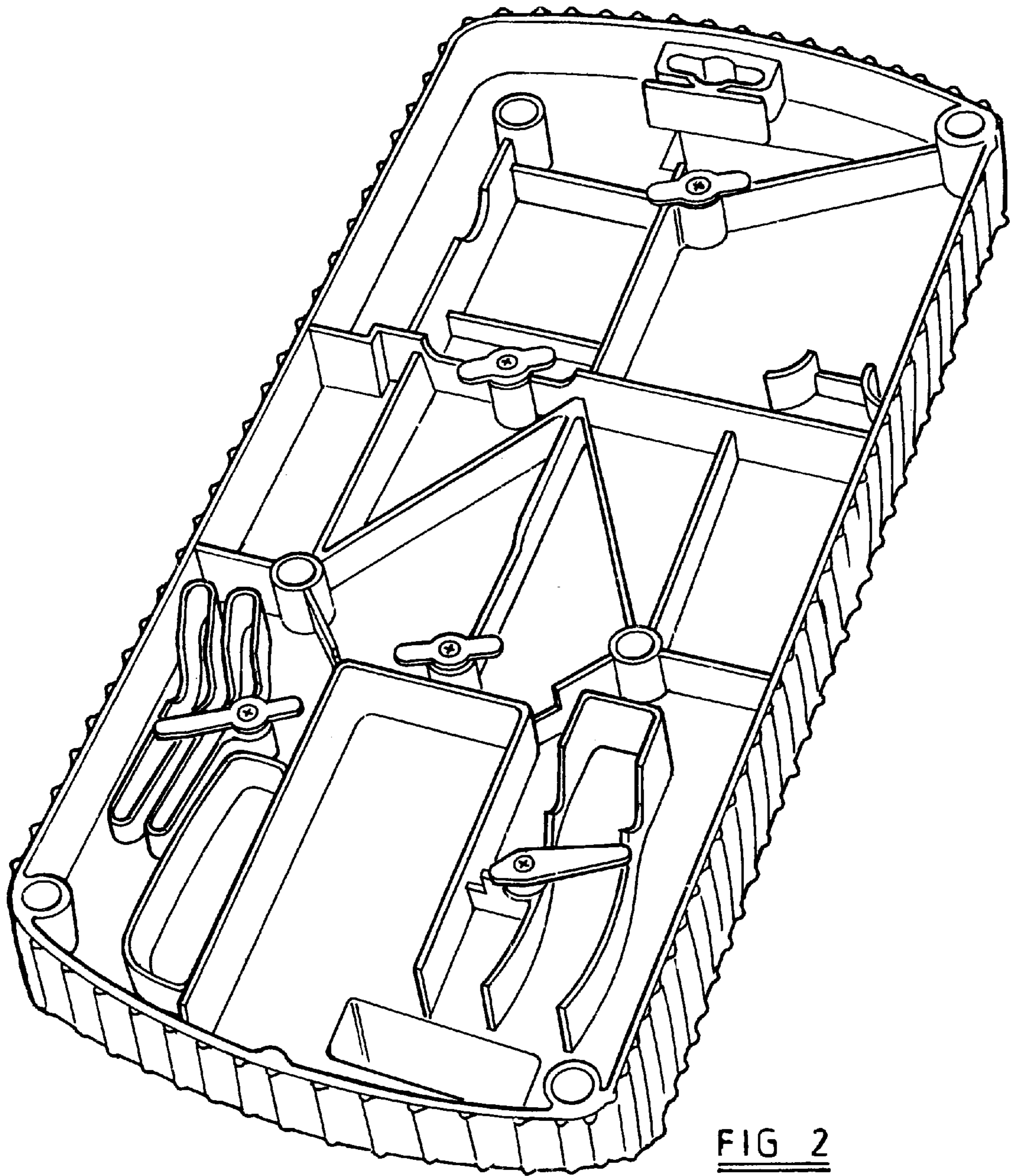


FIG 2