



US00D422605S

United States Patent [19] Danthois

[11] **Patent Number: Des. 422,605**

[45] **Date of Patent: ** Apr. 11, 2000**

[54] **PORTION OF A LAWNMOWER**

[75] Inventor: **Jean-Claude Danthois**,
Chavagnes-Les-Redoux, France

[73] Assignee: **Ariens Company**, Brillion, Wis.

[**] Term: **14 Years**

[21] Appl. No.: **29/091,214**

[22] Filed: **Jul. 23, 1998**

[51] **LOC (6) Cl. 15-03**

[52] **U.S. Cl. D15/17**

[58] **Field of Search** D15/10, 14-18;
56/6, 11.9, 16.7, 17.1, 17.4, 17.5, 202,
255, 320.1, 320.2

[56] **References Cited**

U.S. PATENT DOCUMENTS

D. 346,809	5/1994	Burgos et al.	D15/14
D. 361,771	8/1995	Ledingham	D15/14
D. 414,784	10/1999	Maeda	D15/17
5,572,856	11/1996	Ku	56/10.2 A
5,619,845	4/1997	Bruener et al.	56/11.9

OTHER PUBLICATIONS

Horticulture, May 1993. p. 49, Ryobi Mulching Mower.

Primary Examiner—Sandra L. Morris

Attorney, Agent, or Firm—Michael Best & Friedrich LLP

[57] **CLAIM**

The ornamental design for a portion of a lawnmower, as shown and described.

DESCRIPTION

FIG. 1 is a perspective view of a portion of a lawnmower showing my new design;

FIG. 2 is a top plan view thereof;

FIG. 3 is a front elevational view thereof;

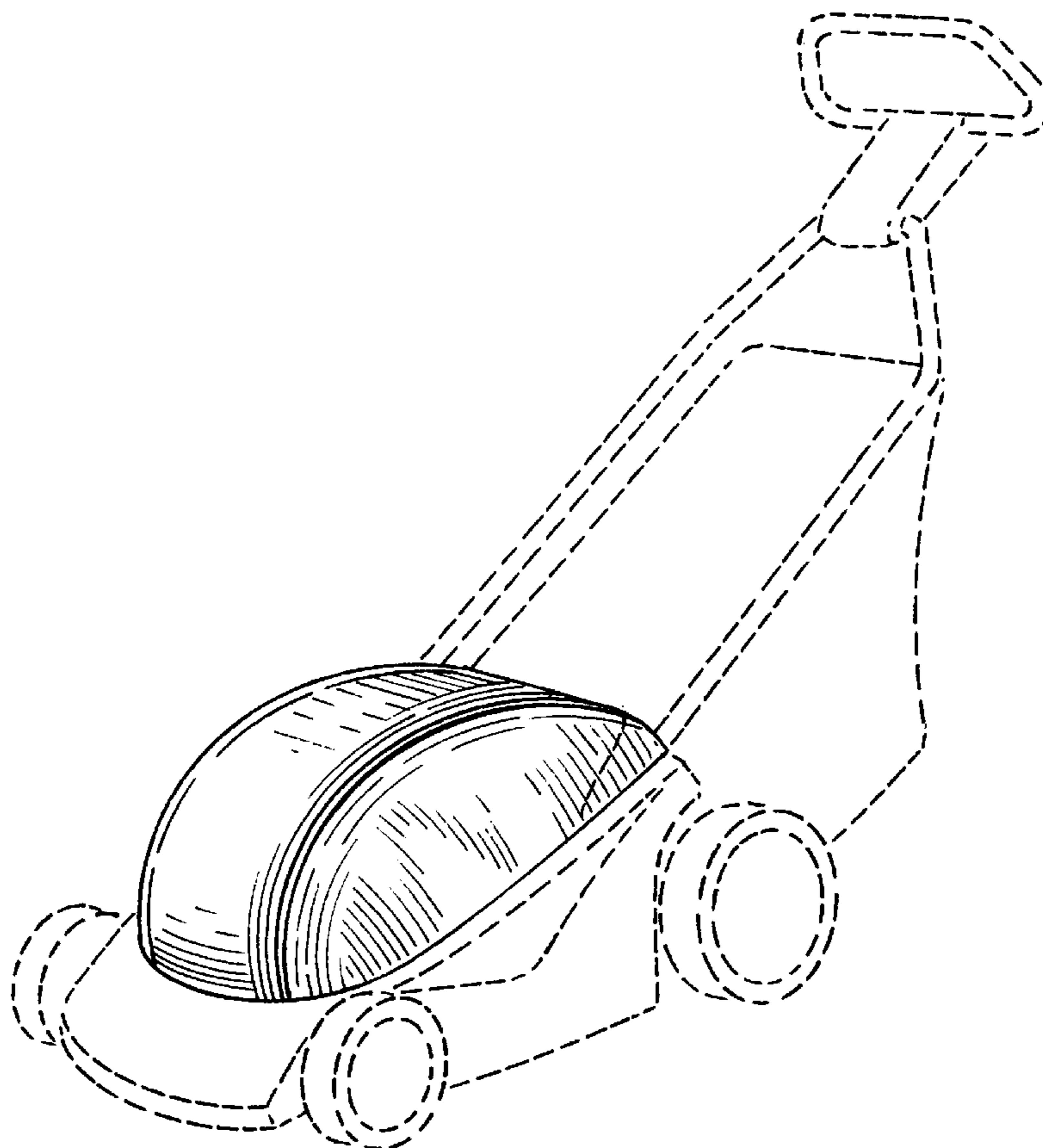
FIG. 4 is a right side elevational view thereof, the left side view being a mirror image of that shown; and,

FIG. 5 is a rear elevational view thereof taken along line 5—5 in FIG. 4.

The present application is directed to the design illustrated in the drawings. Other features of the drawings that are not considered part of the design sought to be patented are shown in broken lines.

The bottom of the portion of the lawnmower illustrated is not visible in its normal or intended use. Therefore, the bottom view is not a matter of ornamental concern, and has been omitted from the drawings.

1 Claim, 4 Drawing Sheets



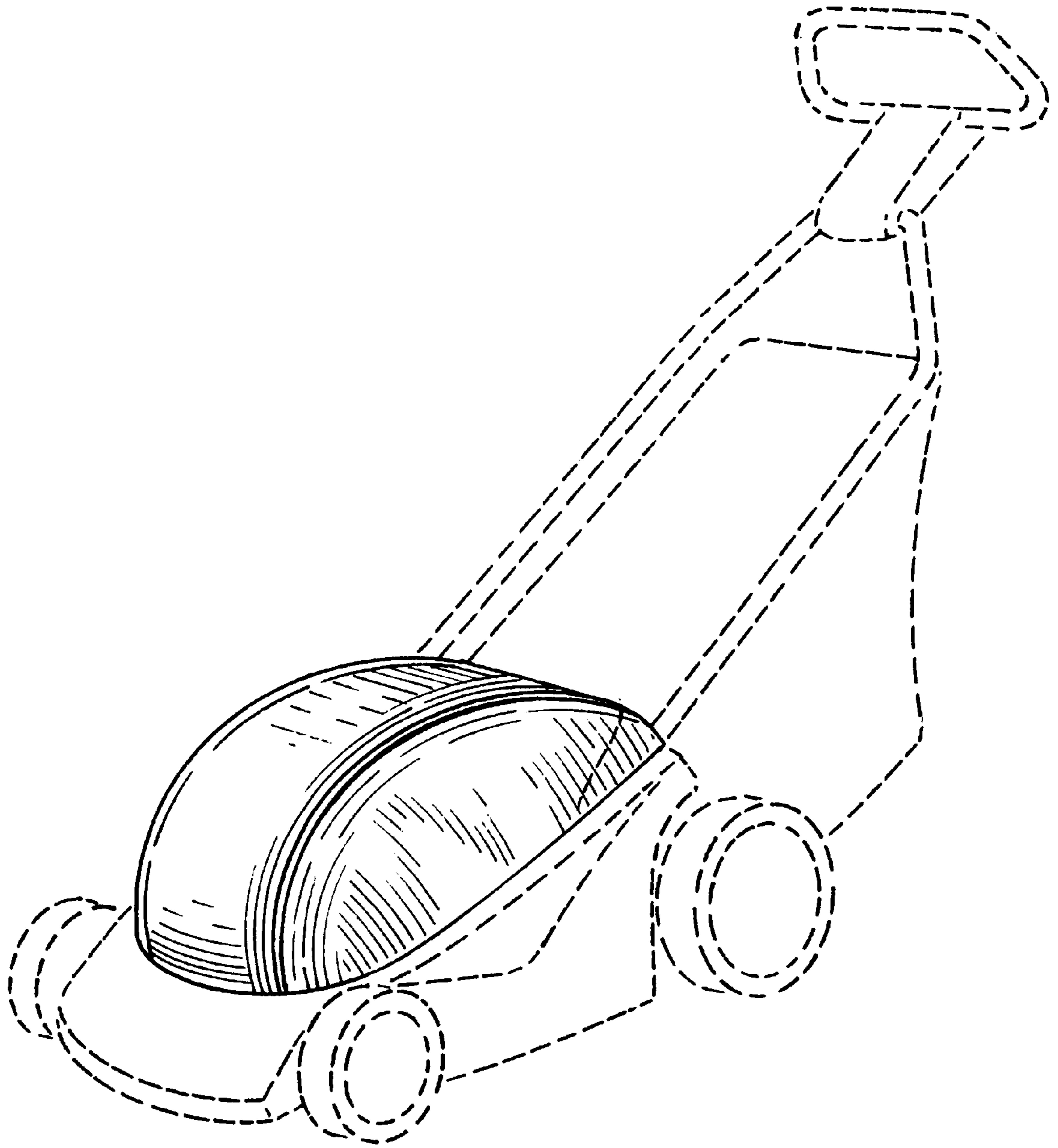


Fig. 1

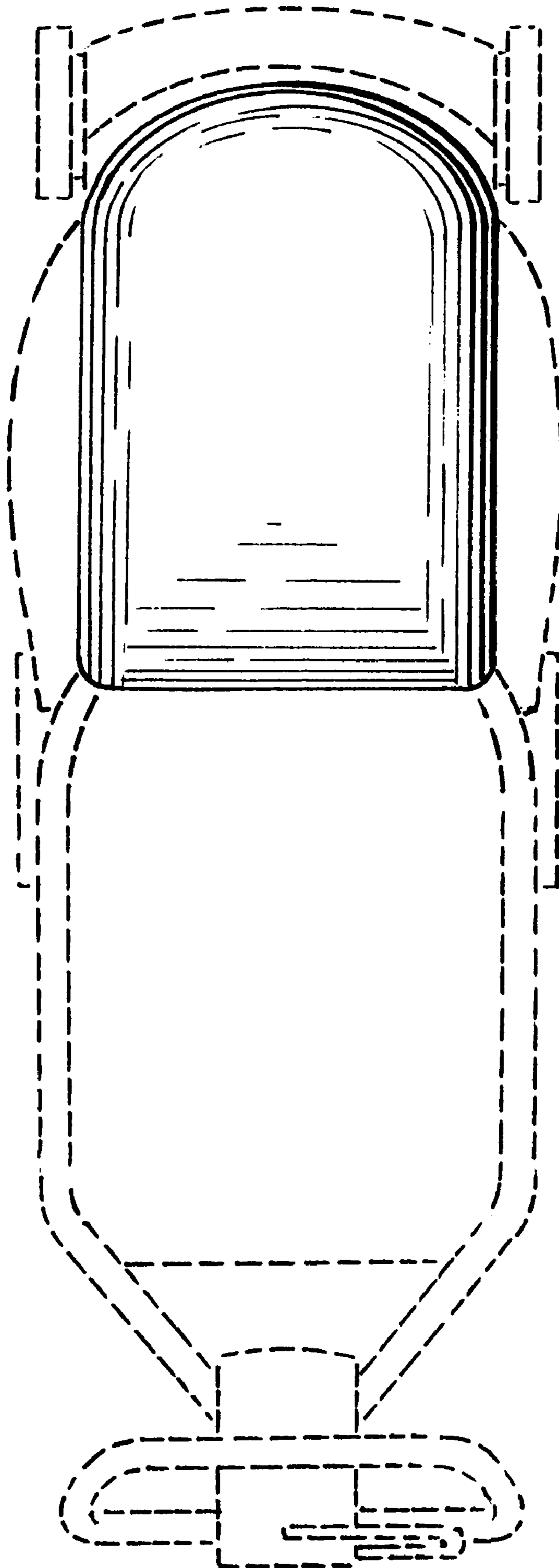


Fig. 2.

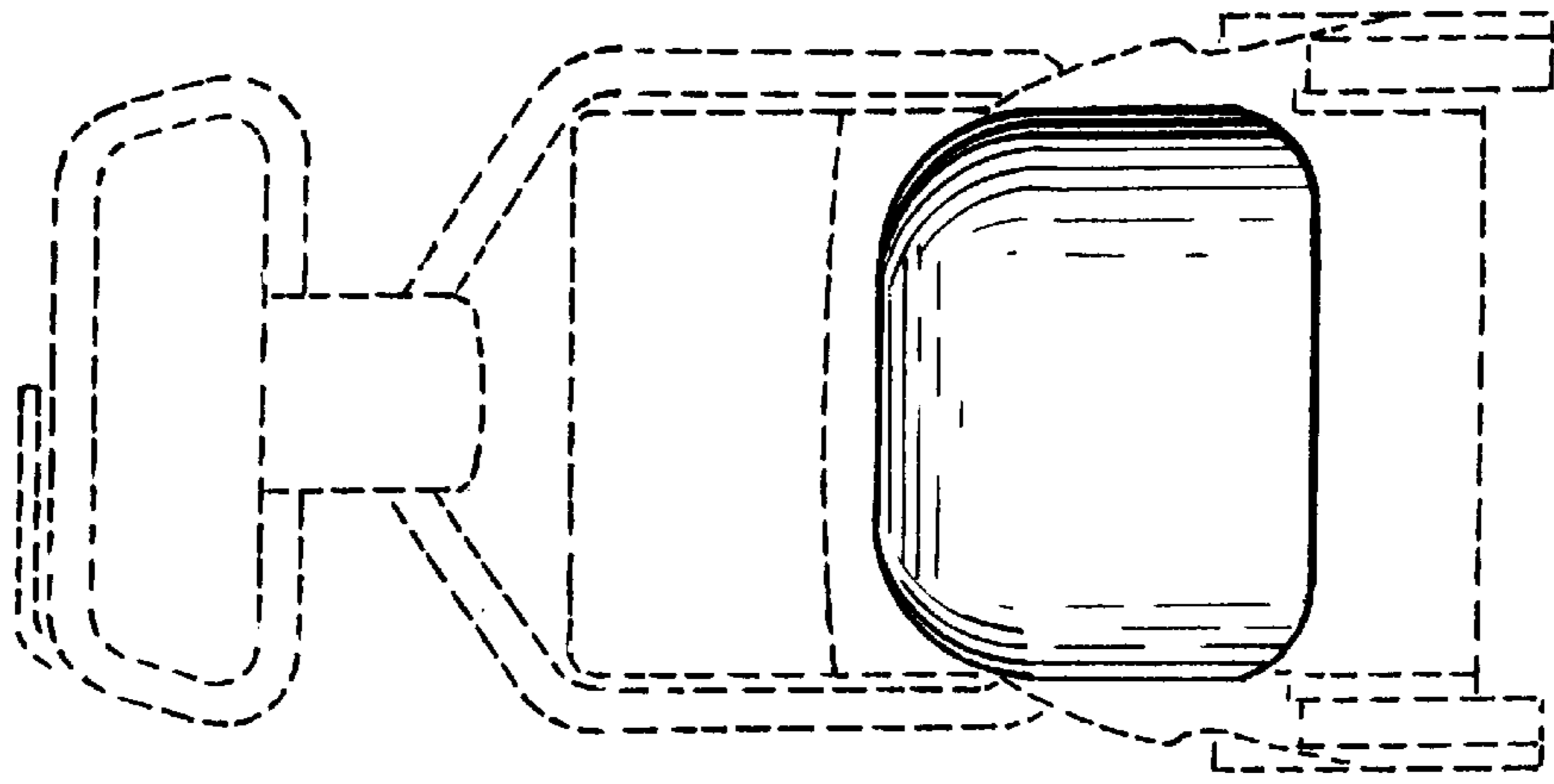


Fig. 3

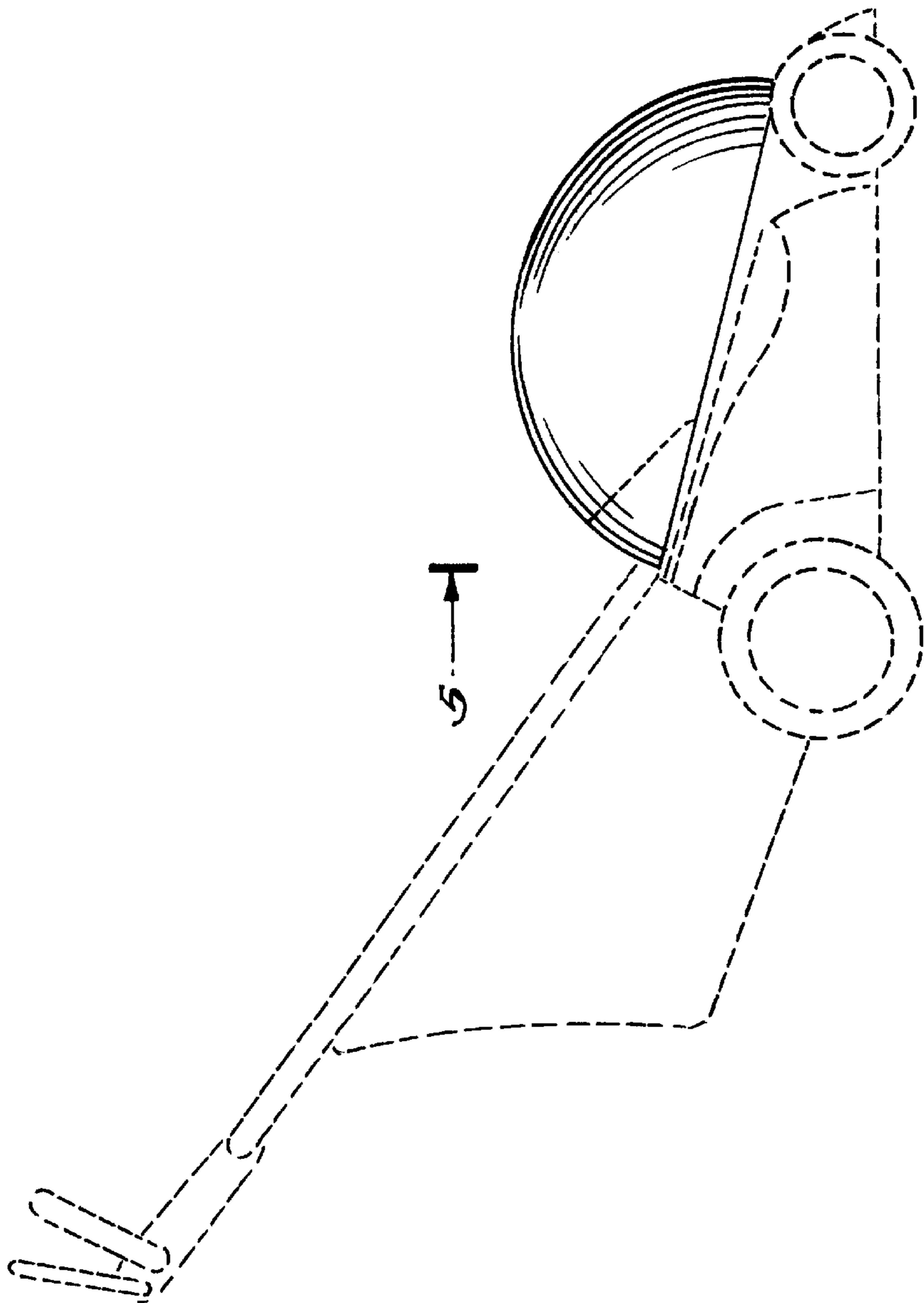


Fig. 4

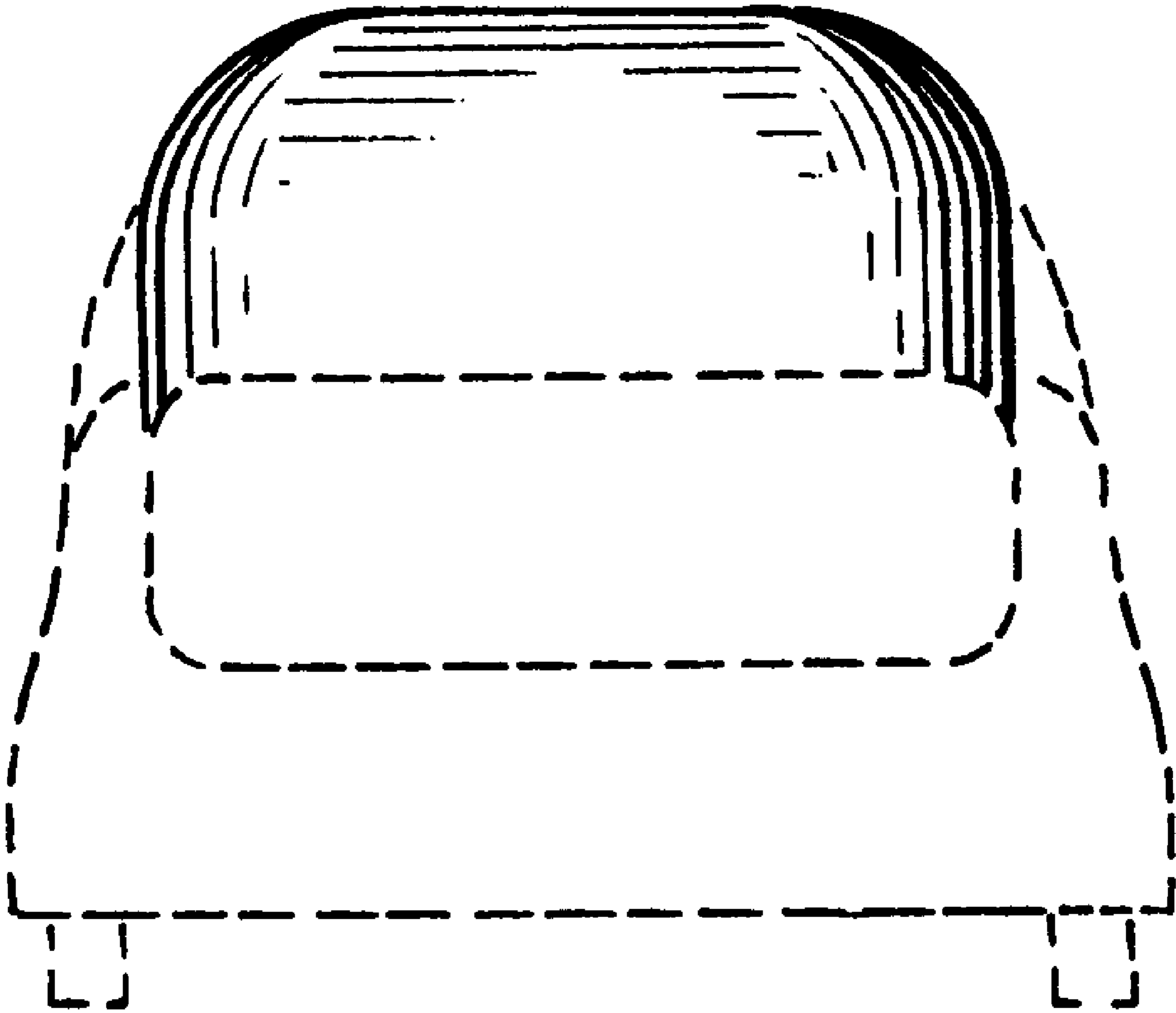


Fig. 5