



US00D422603S

**United States Patent** [19]  
**DeYoung**

[11] **Patent Number: Des. 422,603**

[45] **Date of Patent: \*\* Apr. 11, 2000**

[54] **SPRAYER TURBINE HOUSING**

D. 338,208 8/1993 Reents et al. .... D15/7  
D. 340,724 10/1993 Mariol ..... D15/7

[75] Inventor: **Roger L. DeYoung**, Nolensville, Tenn.

*Primary Examiner*—Ralf Seifert  
*Attorney, Agent, or Firm*—Jones, Day, Reavis & Pogue

[73] Assignee: **Campbell Hausfeld/Scott Fetzer Company**, Harrison, Ohio

[57] **CLAIM**

[\*\*] Term: **14 Years**

I claim the ornamental design for a sprayer turbine housing, as shown.

[21] Appl. No.: **29/103,855**

**DESCRIPTION**

[22] Filed: **Apr. 22, 1999**

[51] **LOC (6) Cl.** ..... **15-01**

[52] **U.S. Cl.** ..... **D15/9**

[58] **Field of Search** ..... D15/7-9; 366/605;  
417/234; 401/146, 197, 203, 204, 218,  
219

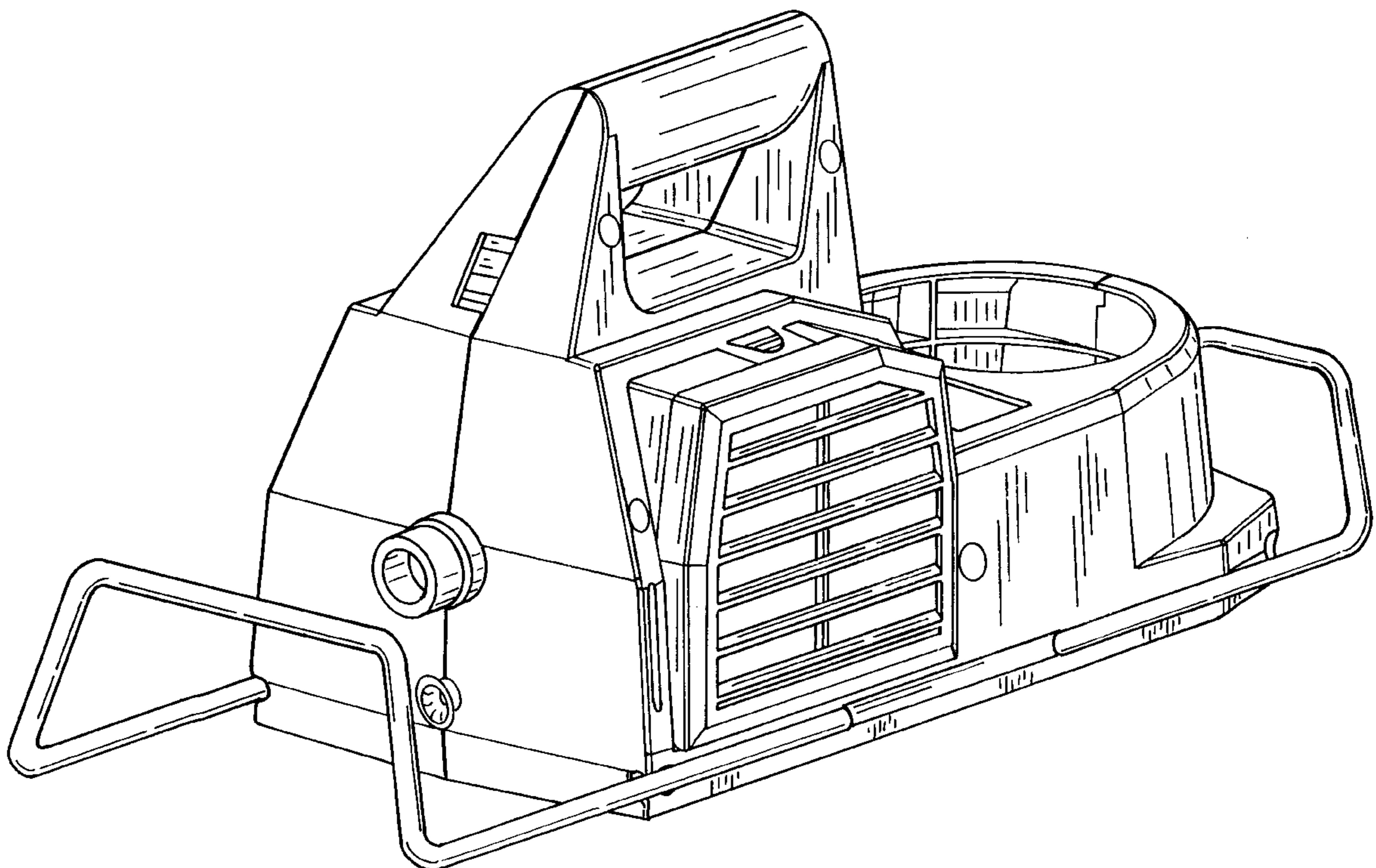
FIG. 1 is a first side frontal perspective view of a turbine housing embodying the subject invention;  
FIG. 2 is a first side back perspective view thereof;  
FIG. 3 is a second side frontal perspective view thereof;  
FIG. 4 is a second side back perspective view thereof;  
FIG. 5 is a top plan view thereof;  
FIG. 6 is a back plan view thereof;  
FIG. 7 is a first side view thereof;  
FIG. 8 is a second side view thereof;  
FIG. 9 is a first side frontal perspective view of a sprayer turbine housing showing a second embodiment of my new design; and,  
FIG. 10 is a first side back perspective view of a sprayer turbine housing showing a third embodiment of my new design.

[56] **References Cited**

**U.S. PATENT DOCUMENTS**

D. 280,993	10/1985	Mariol	.....	D15/9
D. 289,051	3/1987	Belletire	.....	D15/7
D. 290,126	6/1987	Krapowicz	.....	D15/7
D. 294,147	2/1988	Charney et al.	.....	D15/7
D. 296,441	6/1988	Mariol	.....	D15/9
D. 300,033	2/1989	Miller	.....	D15/7
D. 303,394	9/1989	Mariol	.....	D15/9

**1 Claim, 10 Drawing Sheets**



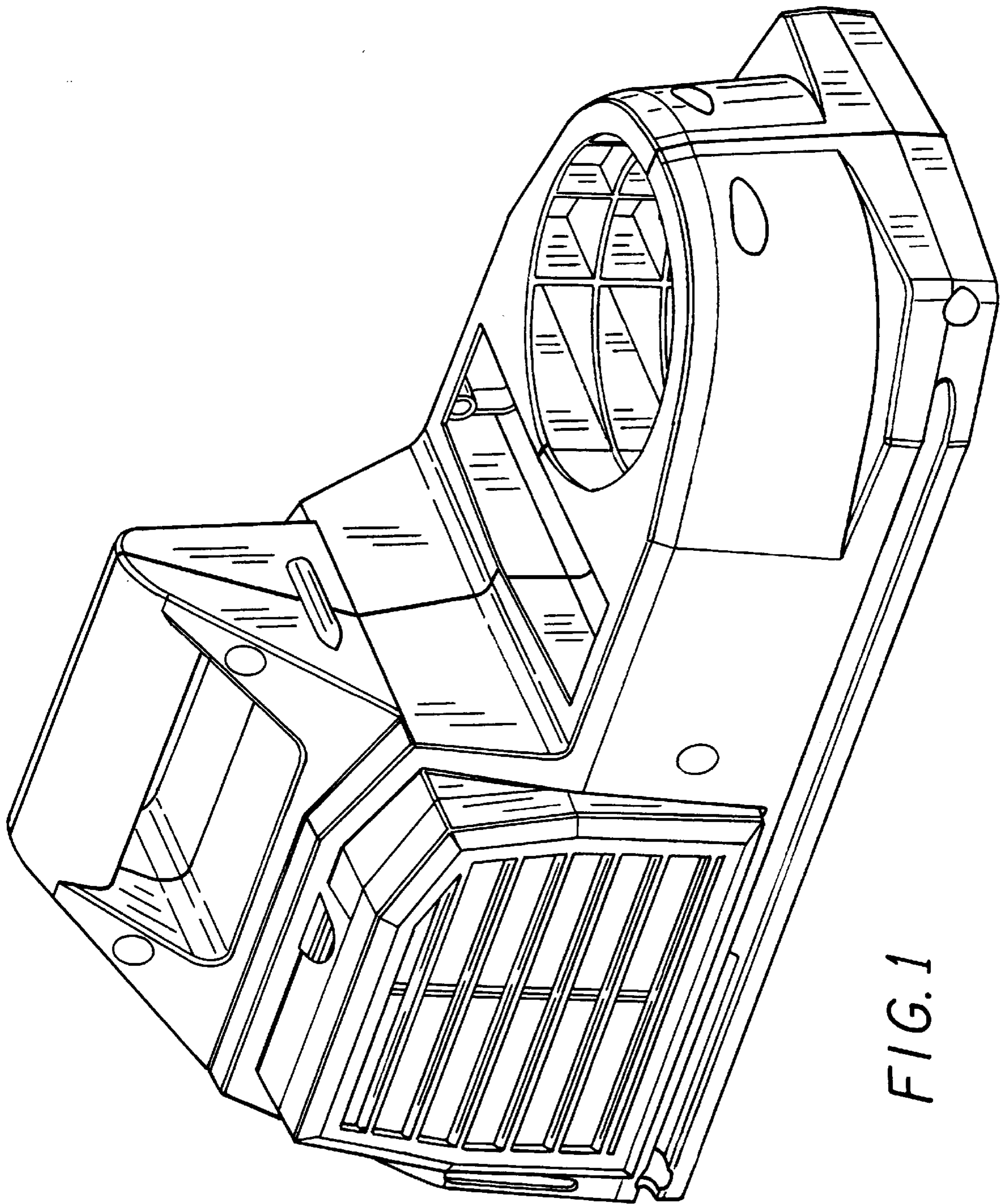


FIG. 1

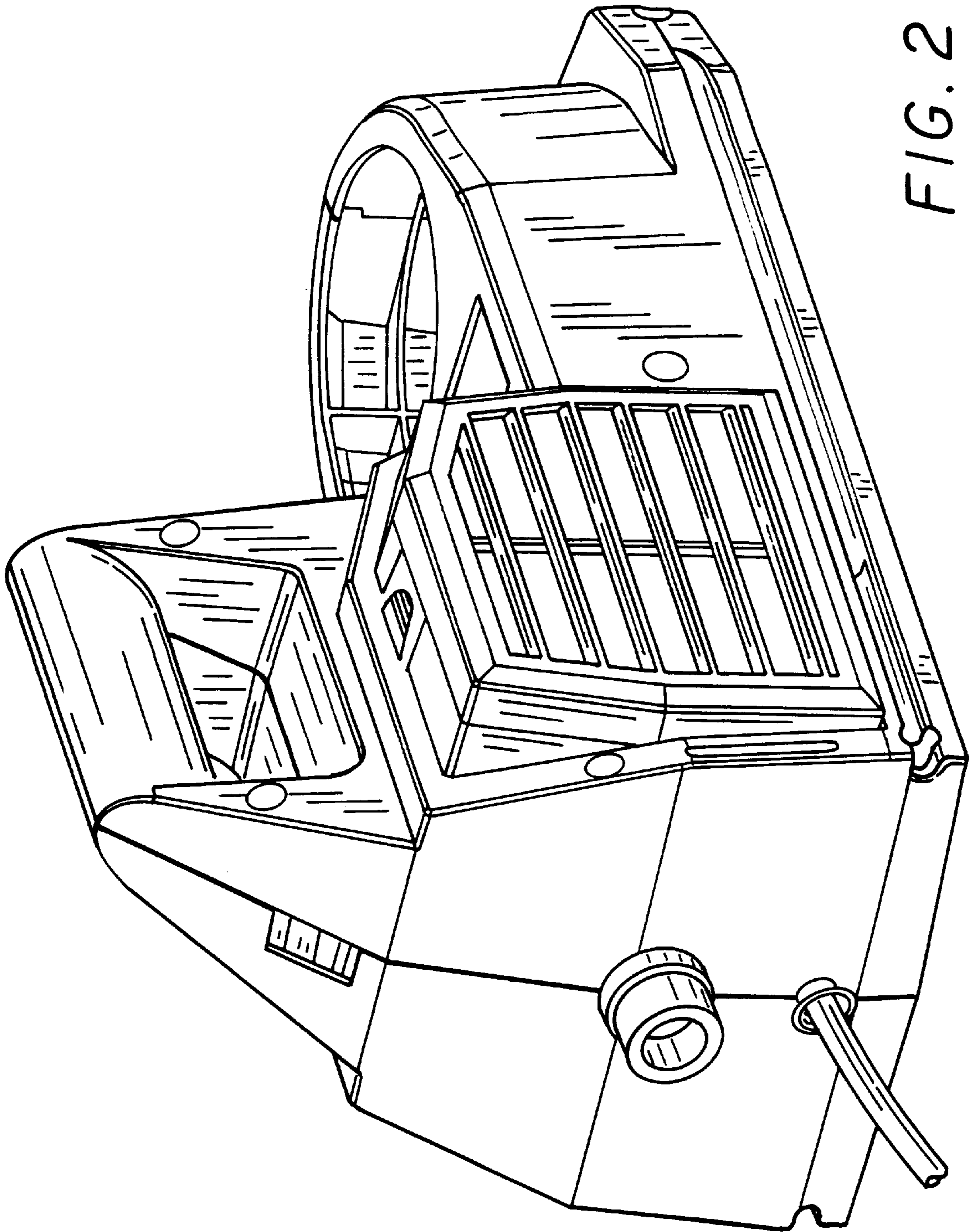


FIG. 2

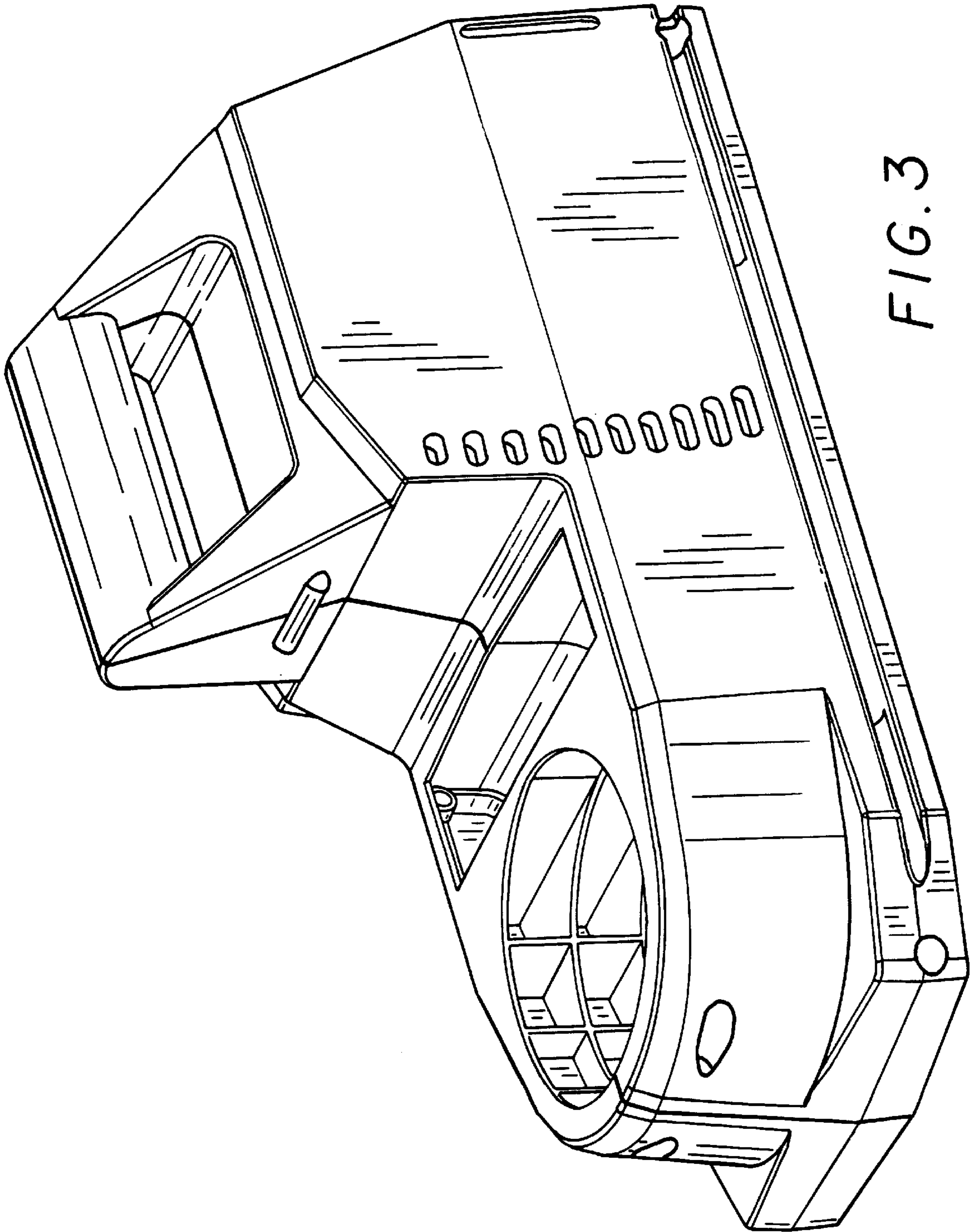


FIG. 3

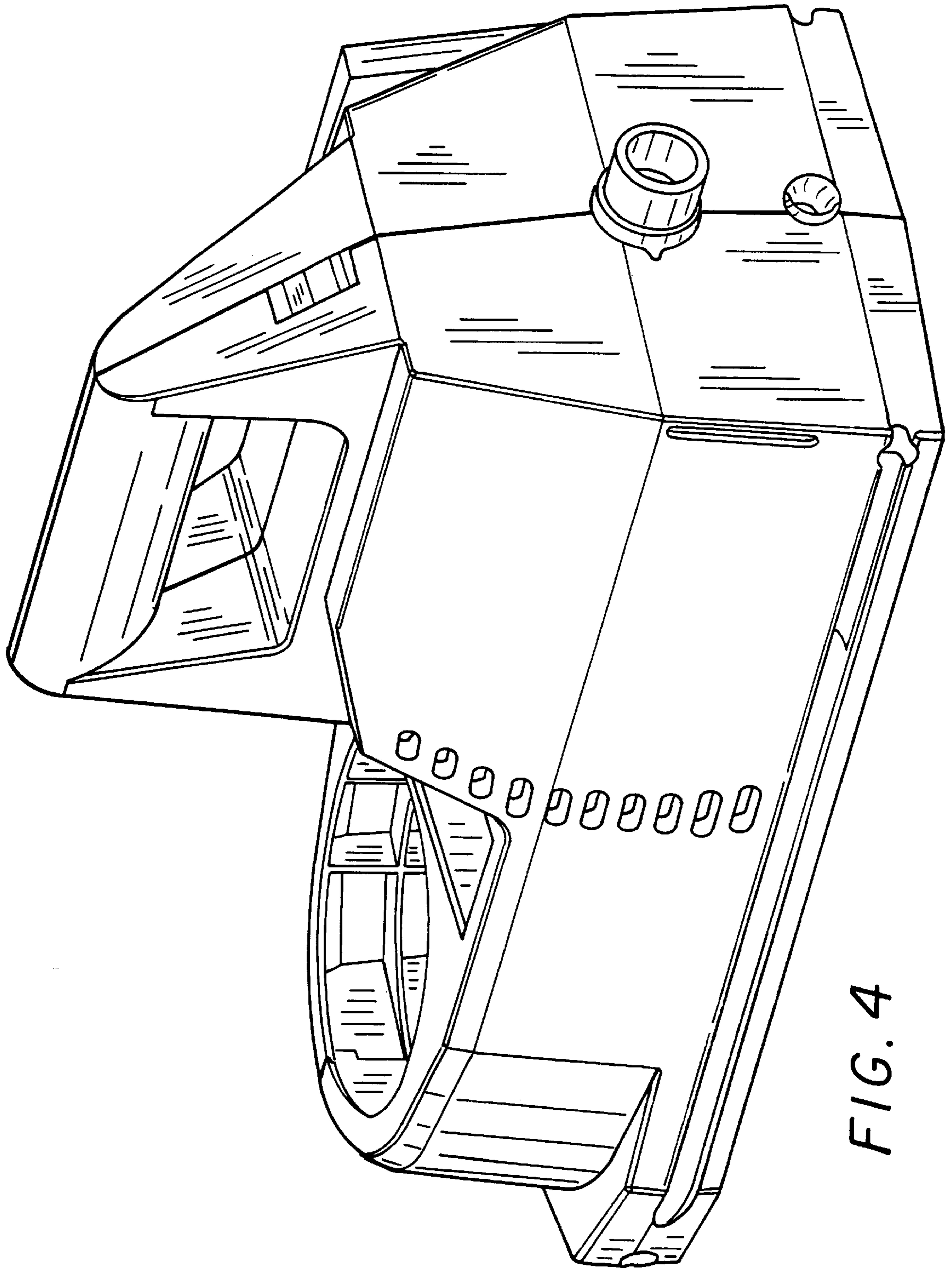


FIG. 4

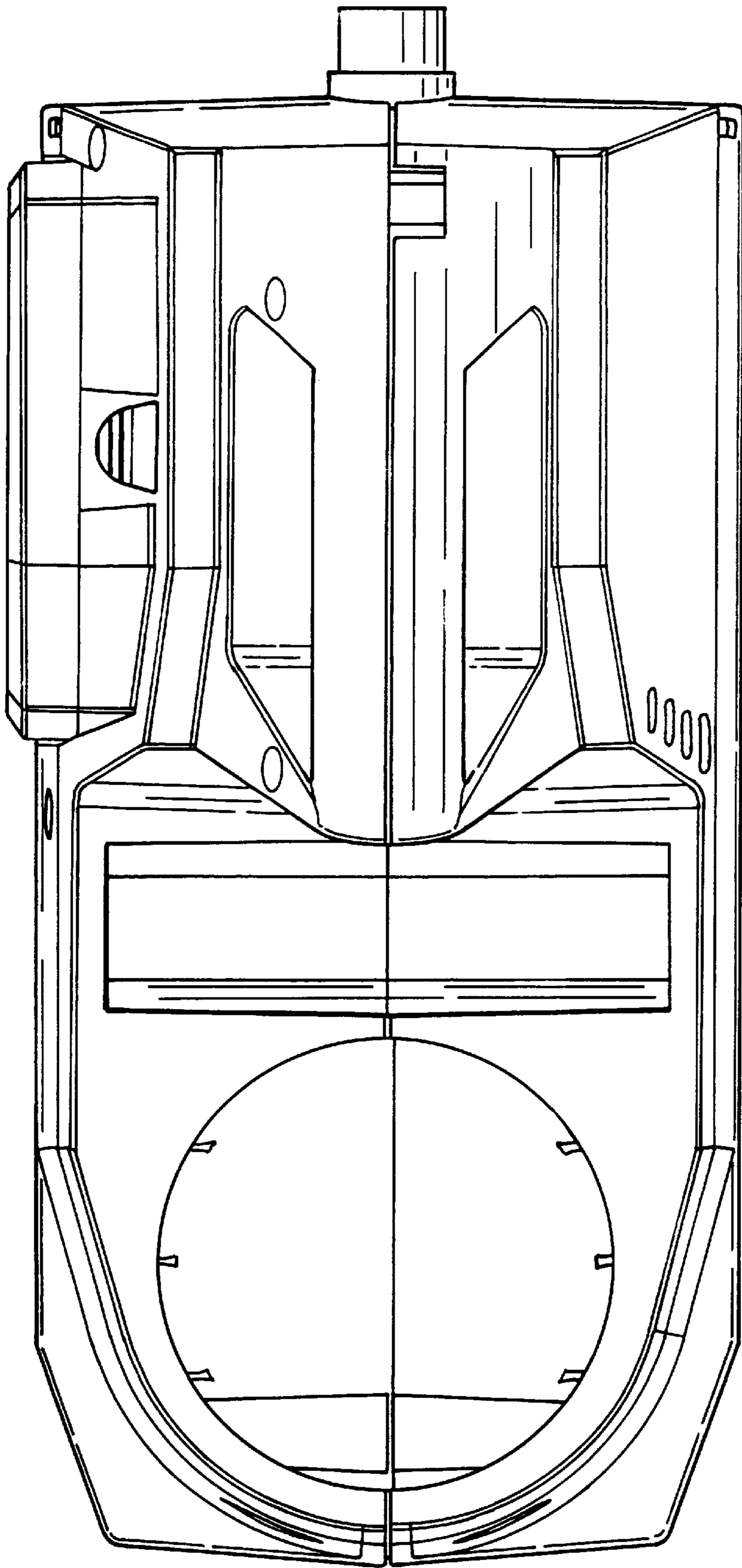


FIG. 5

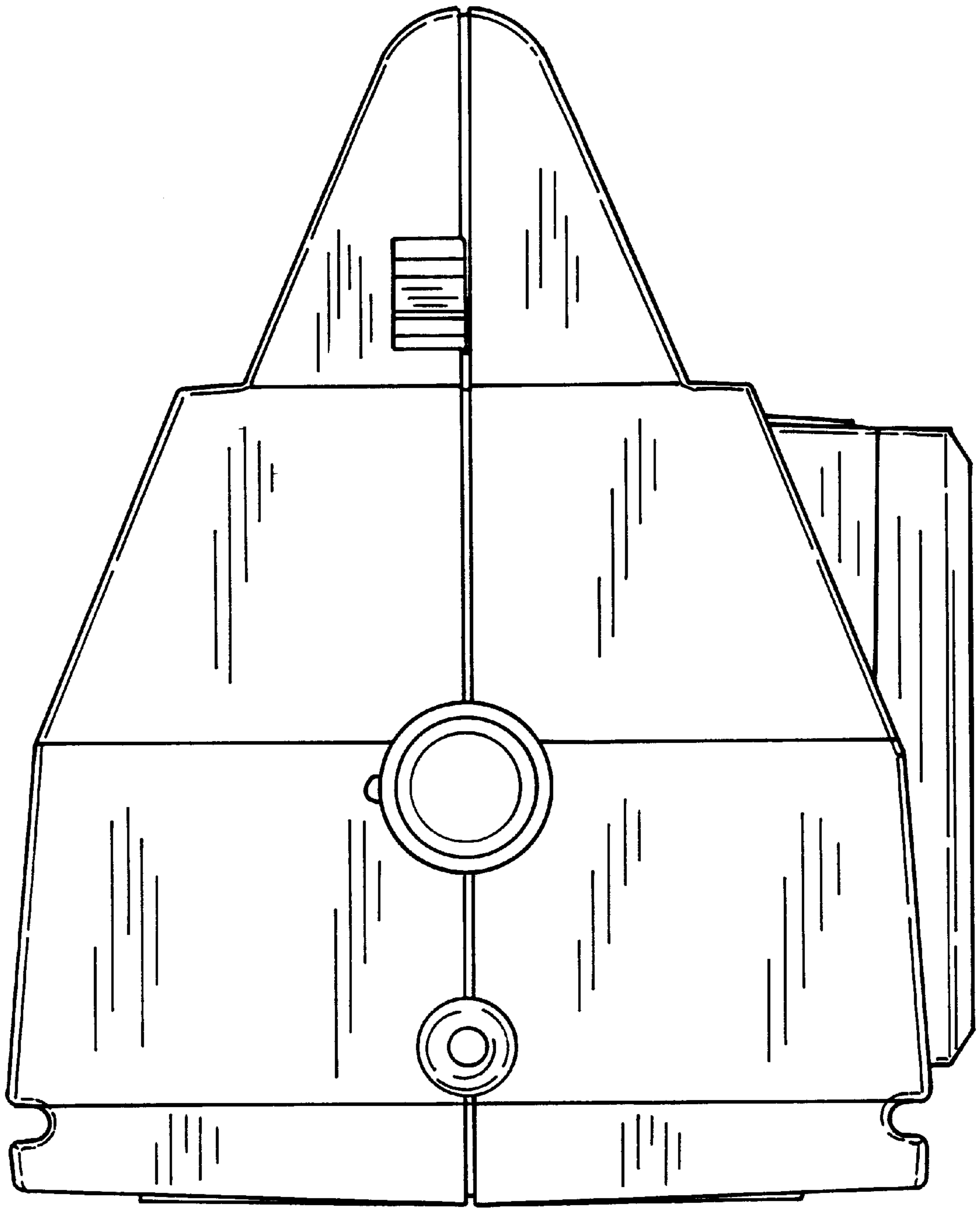


FIG. 6

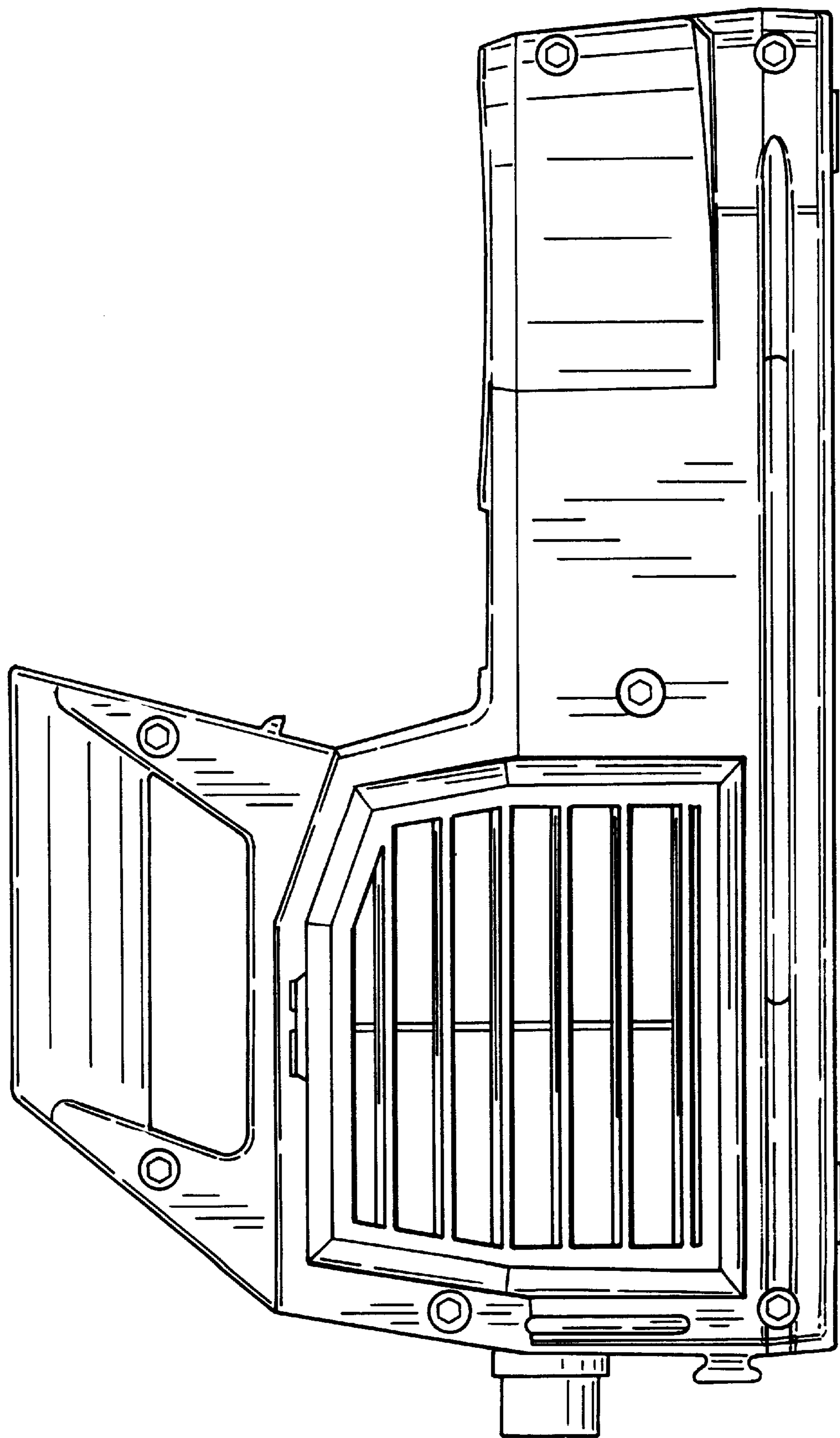


FIG. 7



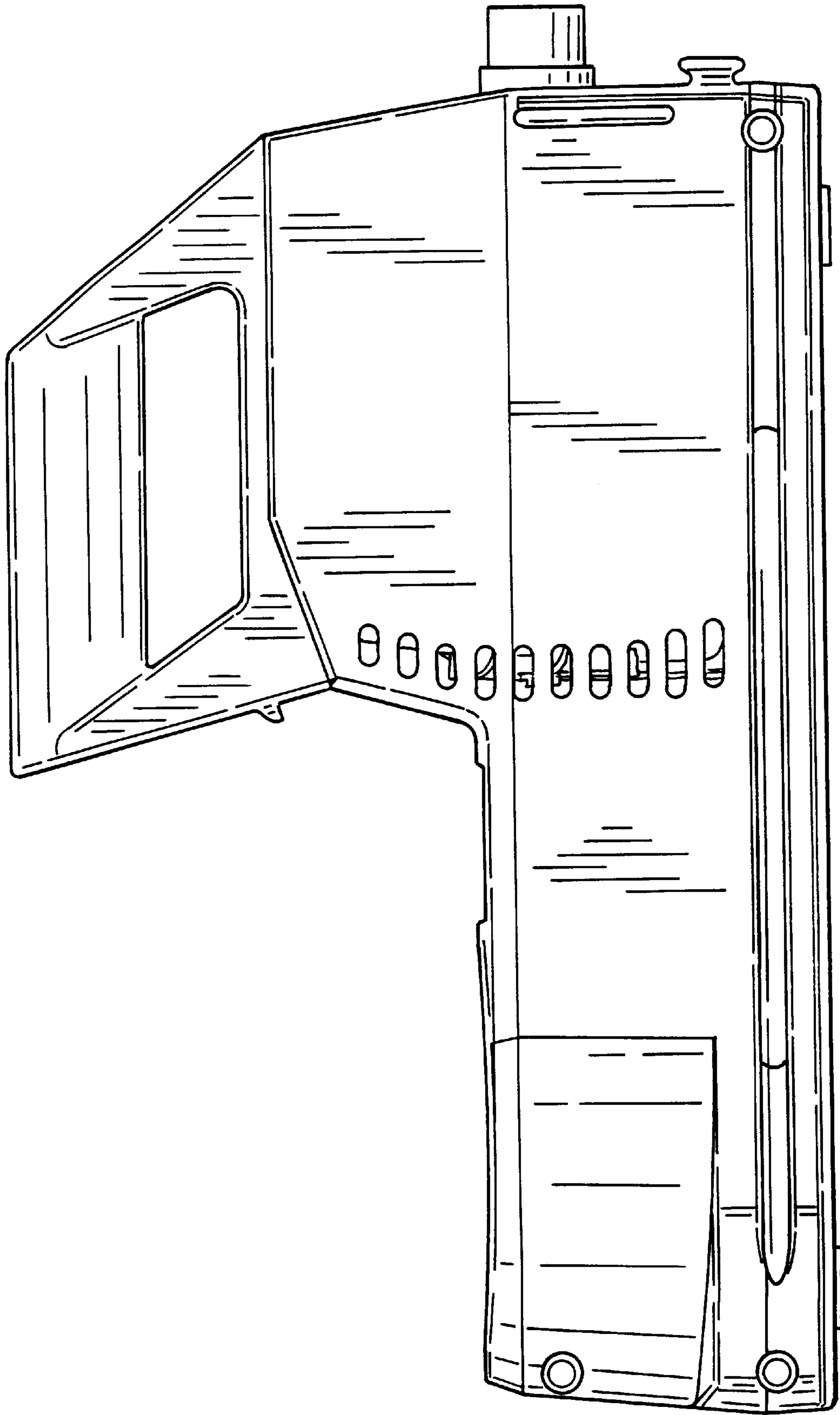


FIG. 8

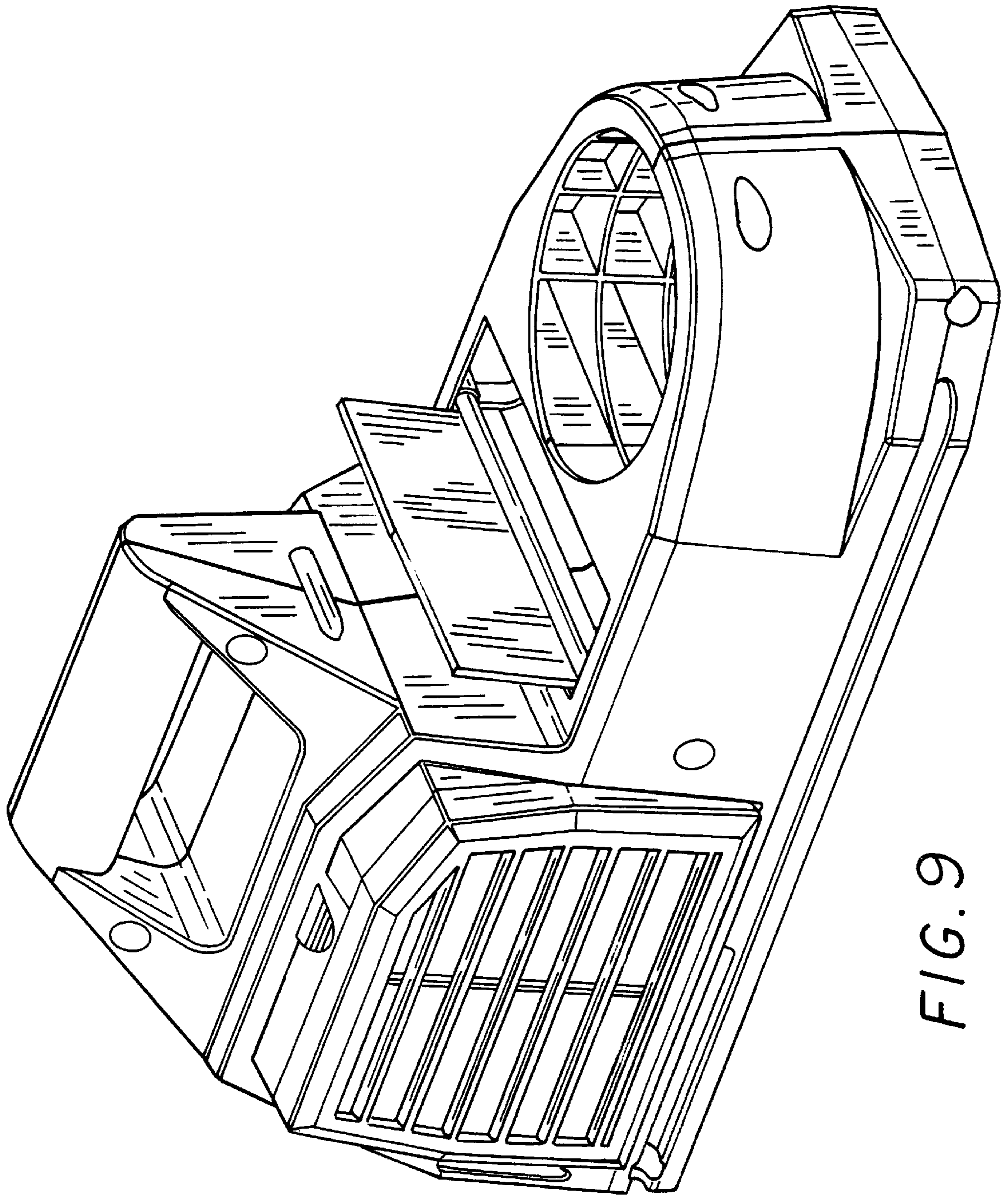


FIG. 9

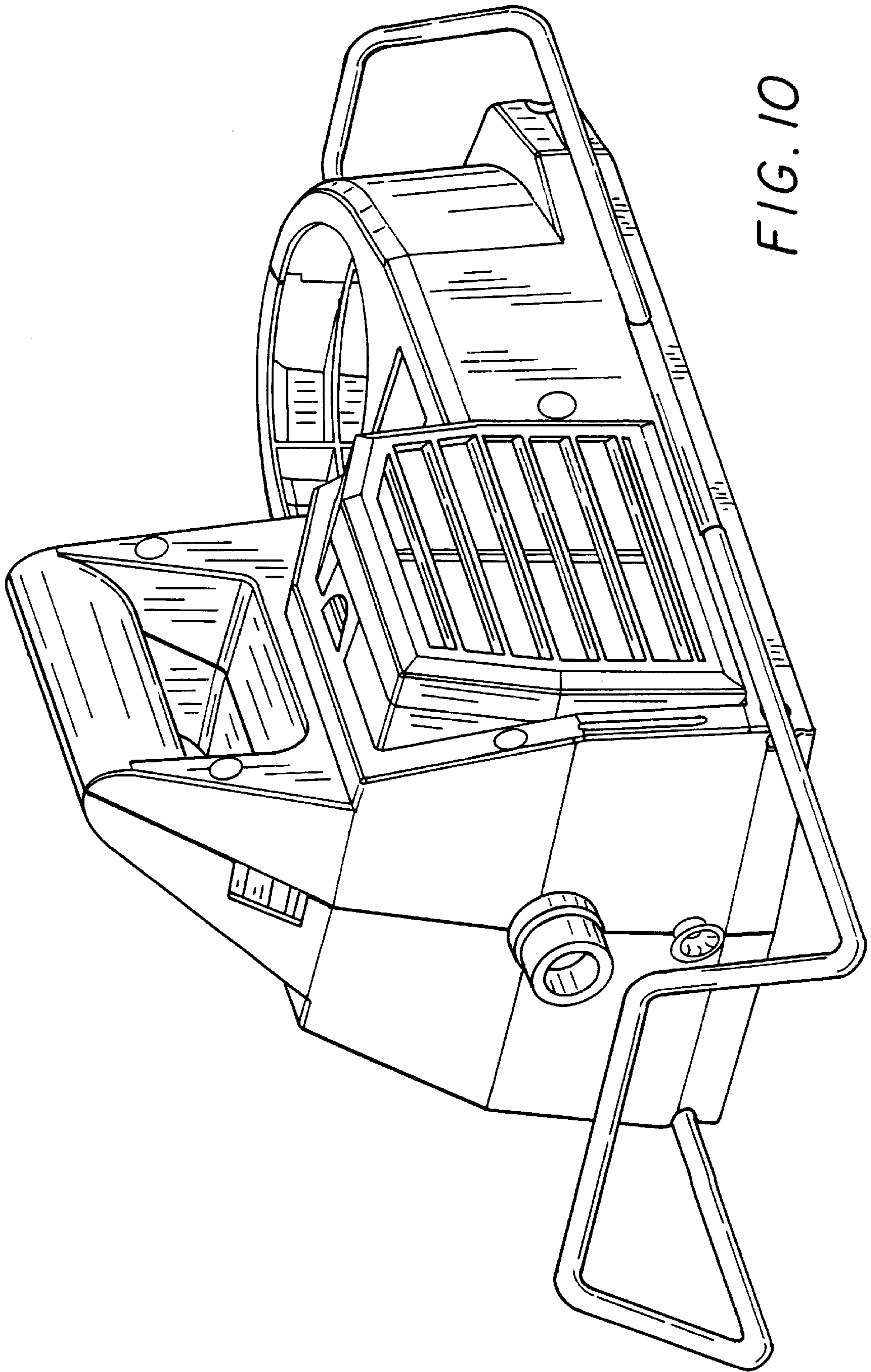


FIG. 10