



US00D422602S

United States Patent [19] Poon

[11] **Patent Number: Des. 422,602**

[45] **Date of Patent: ** Apr. 11, 2000**

[54] **AIR PUMP**

D. 391,969 3/1998 Poon D15/7
D. 395,317 6/1998 Karlsson et al. D15/7

[75] Inventor: **Tit Wing Poon**, Shatin, N.T., The Hong Kong Special Administrative Region of the People's Republic of China

Primary Examiner—Ralf Seifert
Attorney, Agent, or Firm—Alix, Yale & Ristas, LLP

[73] Assignee: **Flying Dragon Development Ltd.**, Shatin, The Hong Kong Special Administrative Region of the People's Republic of China

[57] **CLAIM**

The ornamental design for an air pump, as shown and described.

[**] Term: **14 Years**

DESCRIPTION

[21] Appl. No.: **29/109,539**

FIG. 1 is a front perspective view of the air pump showing my new design;

[22] Filed: **Aug. 17, 1999**

FIG. 2 is a rear perspective view of the air pump of FIG. 1, said pump being configured in an operational mode with an additional component shown in broken lines, no claim being made to the component shown in broken lines;

[51] **LOC (6) Cl.** **15-02**

[52] **U.S. Cl.** **D15/7**

[58] **Field of Search** D15/7-9; 417/415, 417/234, 411, 410.3, 410.4, 410.5

FIG. 3 is a front view of the air pump of FIG. 1;

FIG. 4 is a rear view of the air pump of FIG. 1;

FIG. 5 is a left side view of the air pump of FIG. 1;

FIG. 6 is a right side view of the air pump of FIG. 1;

FIG. 7 is a top plan view of the air pump of FIG. 1; and,

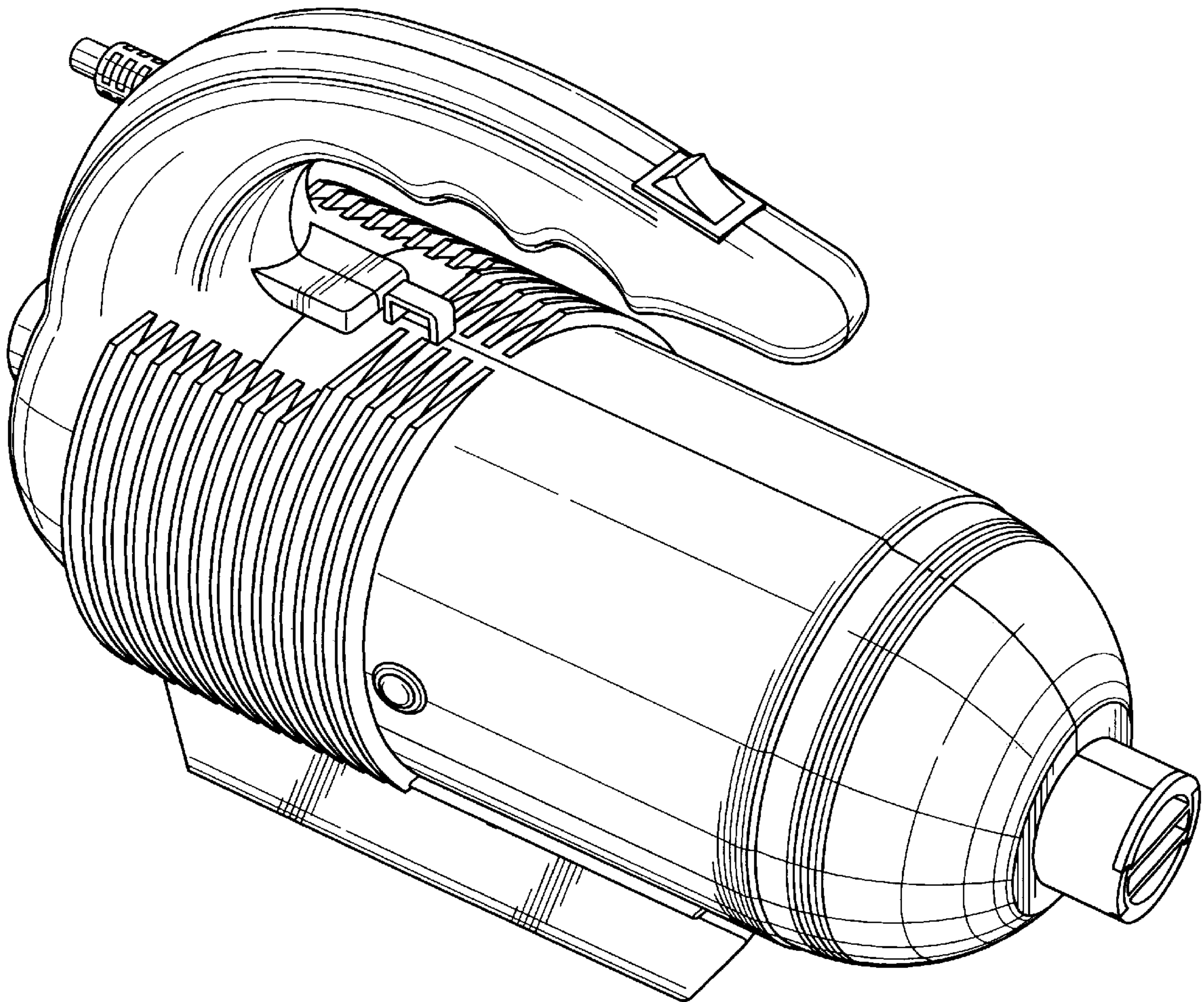
FIG. 8 is a bottom plan view of the air pump of FIG. 1.

[56] **References Cited**

U.S. PATENT DOCUMENTS

D. 384,081 9/1997 Wang D15/7

1 Claim, 6 Drawing Sheets



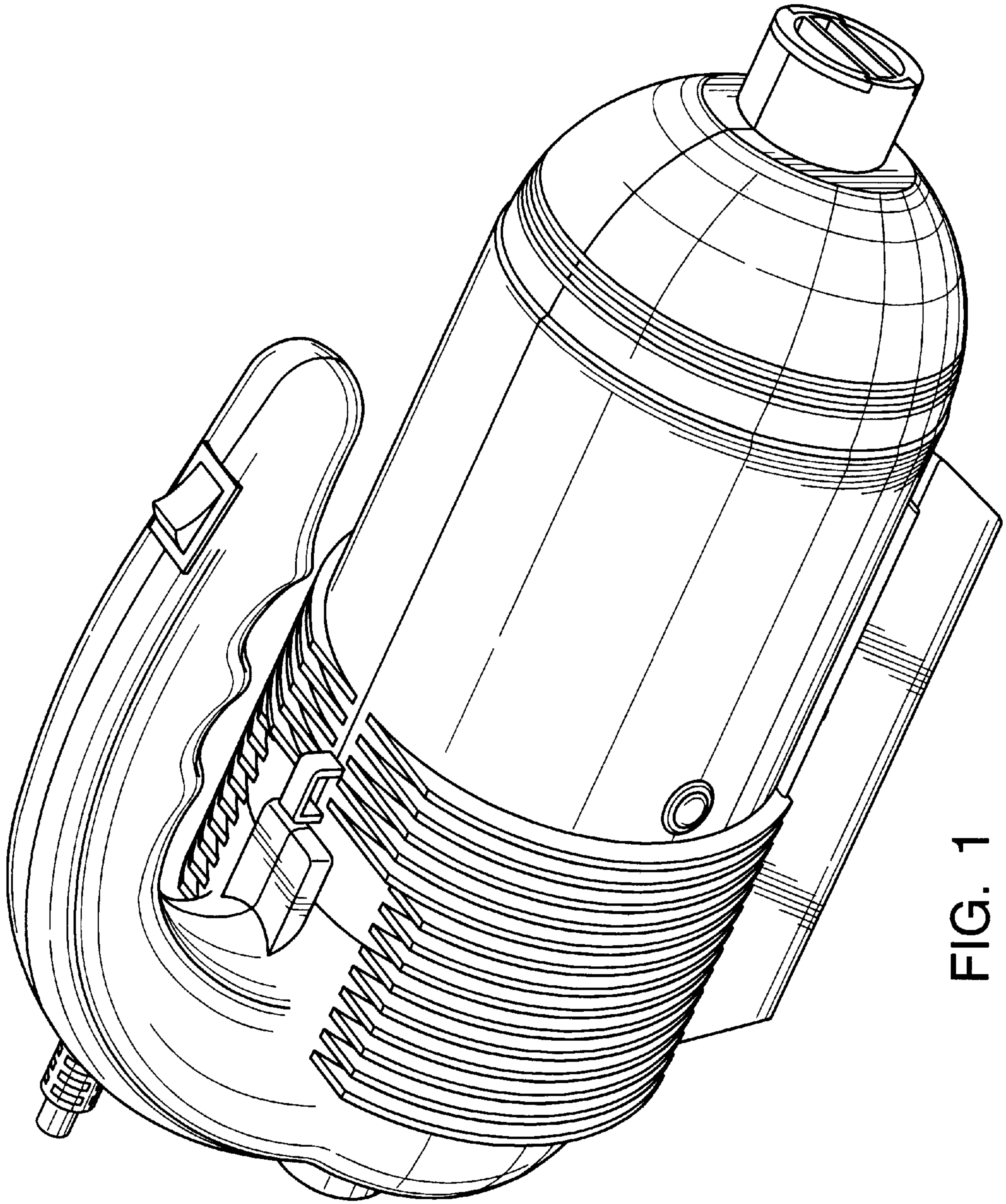


FIG. 1

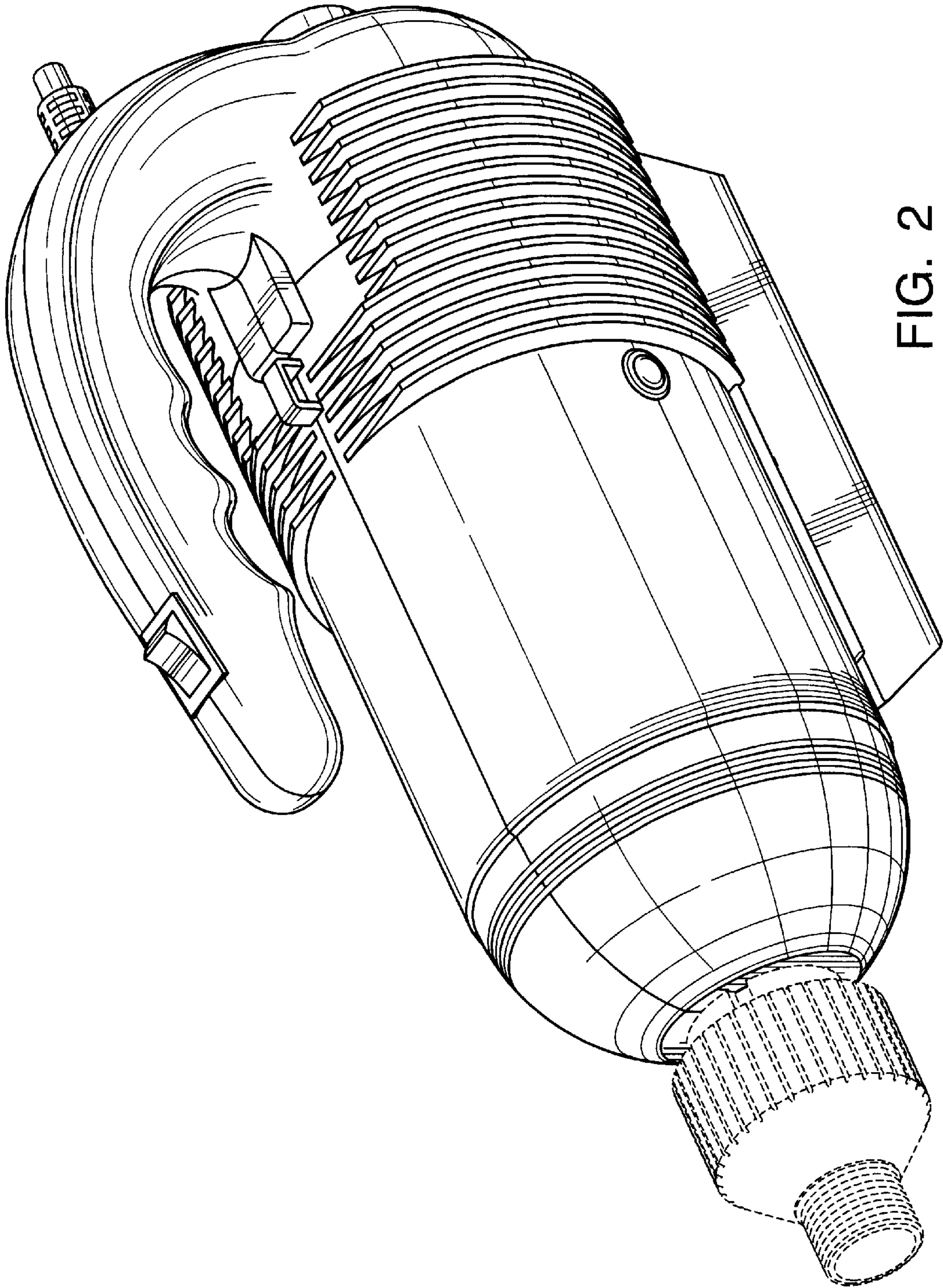


FIG. 2

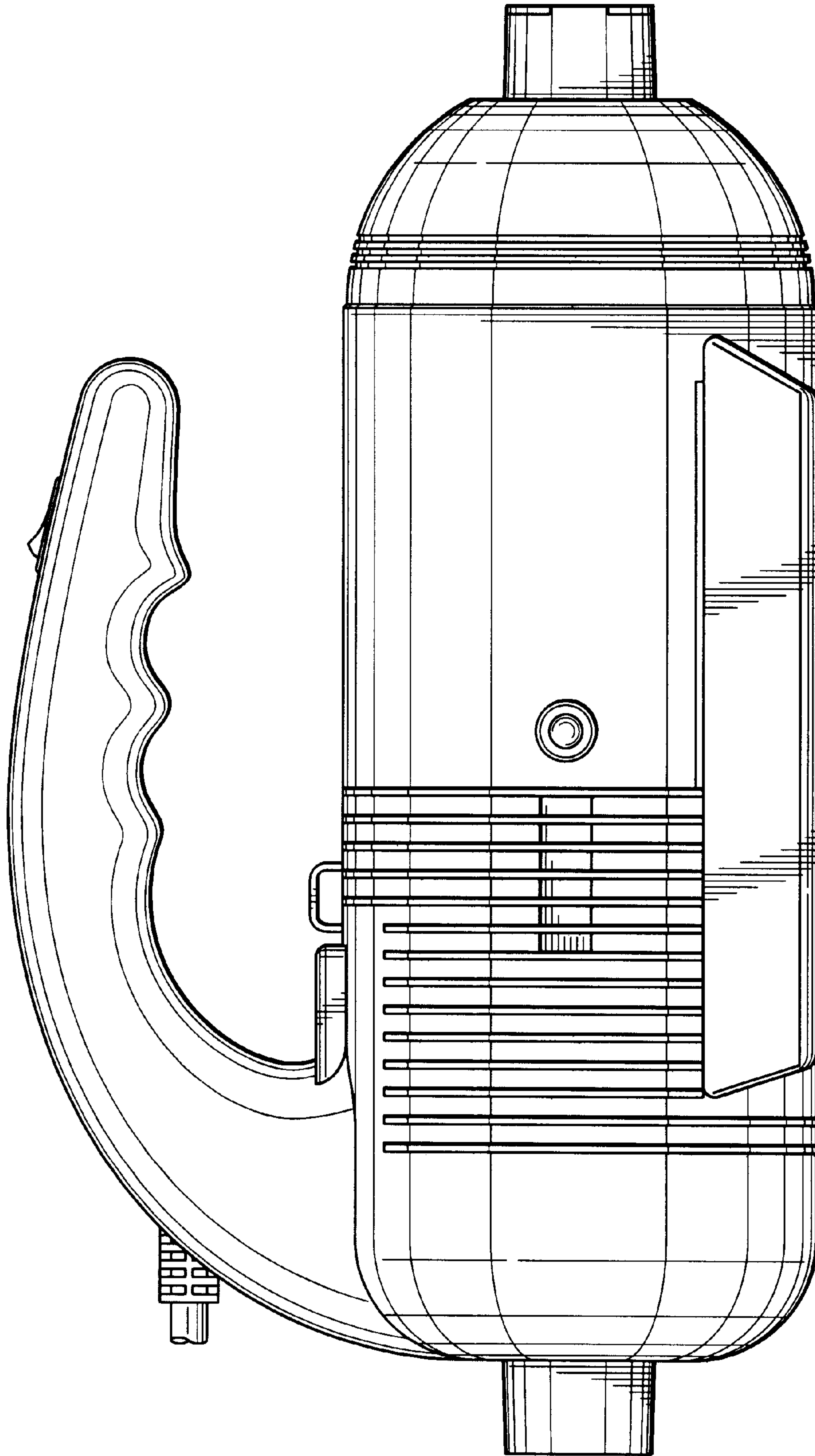


FIG. 3

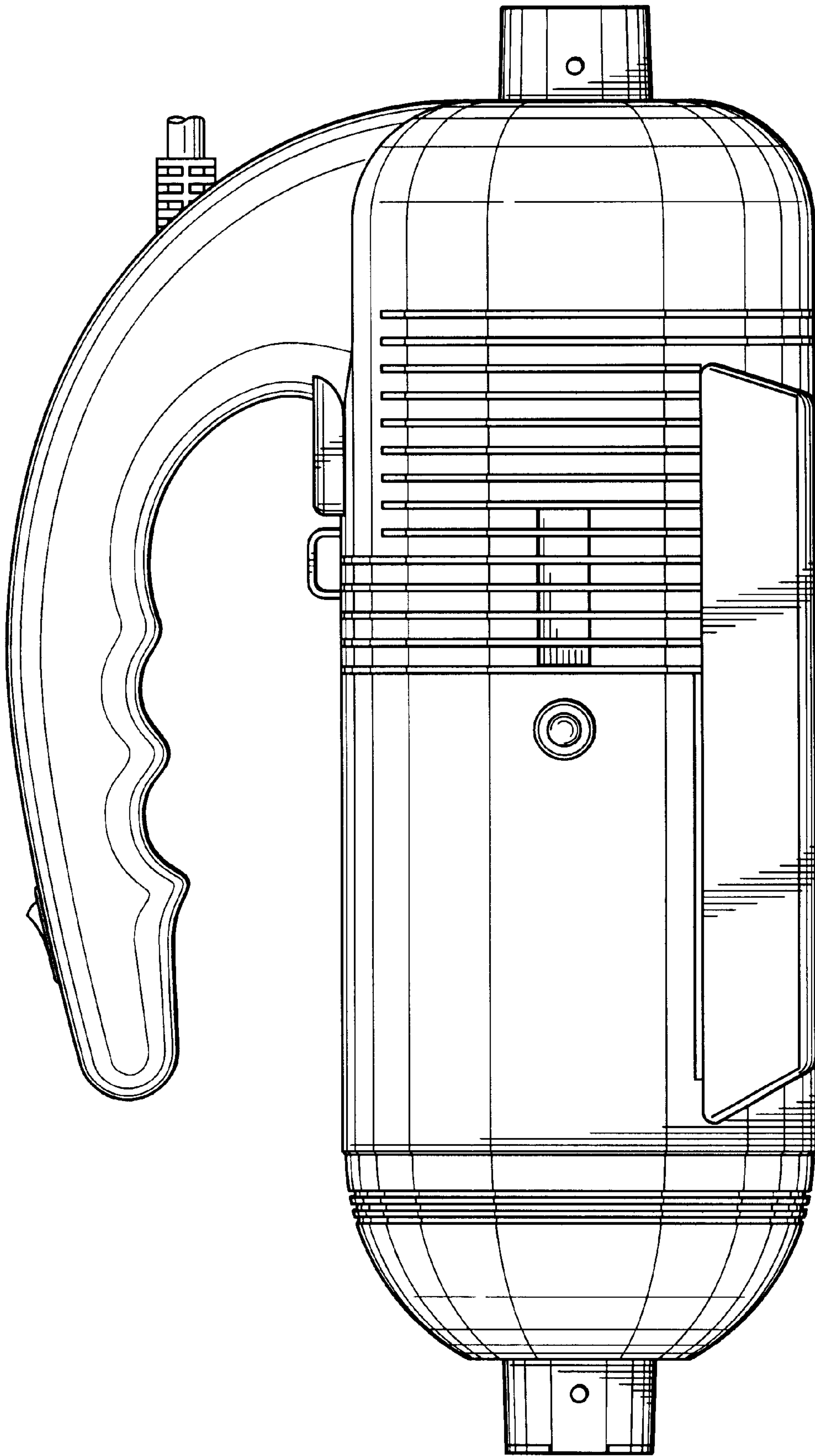


FIG. 4

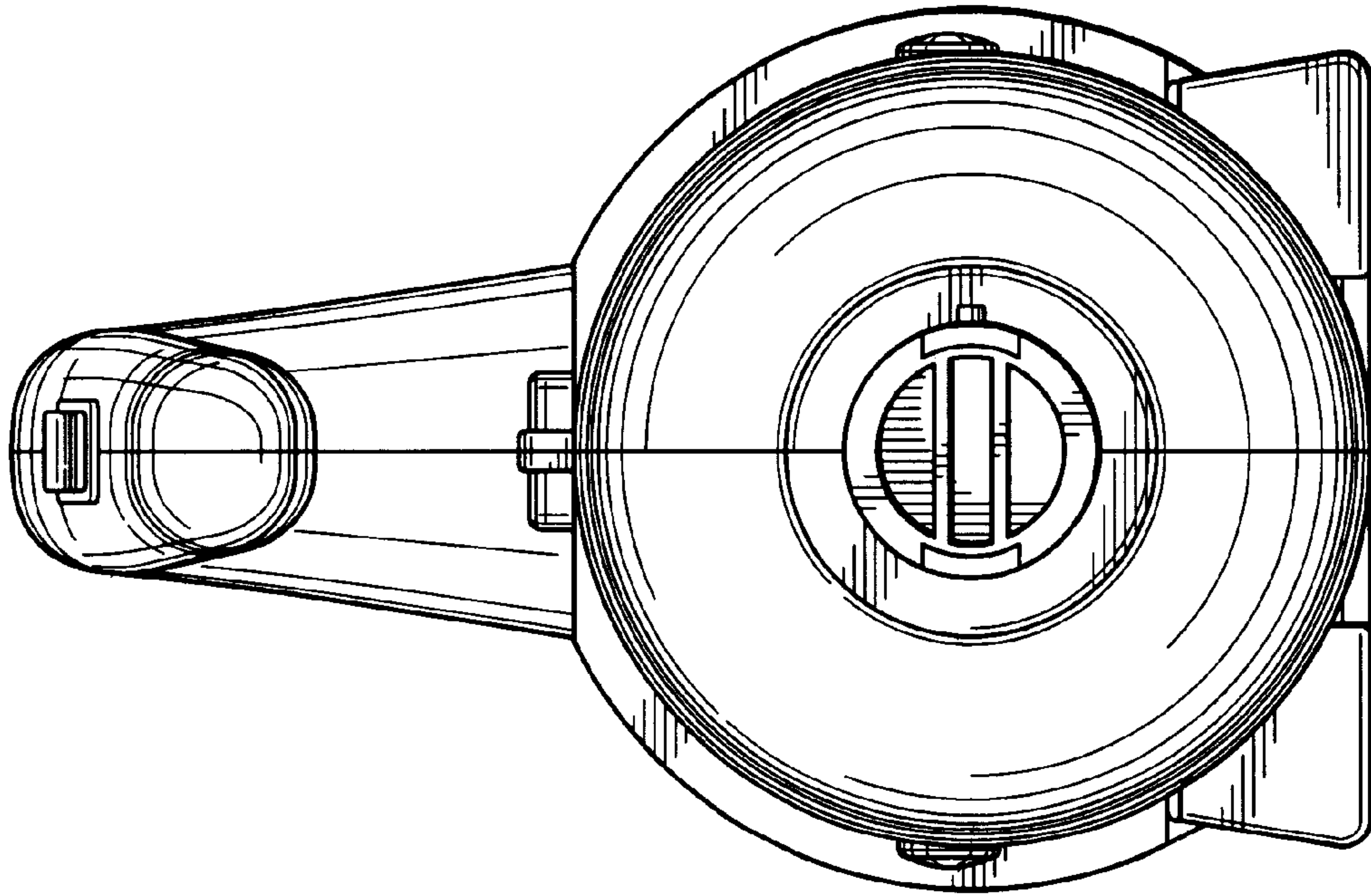


FIG. 6

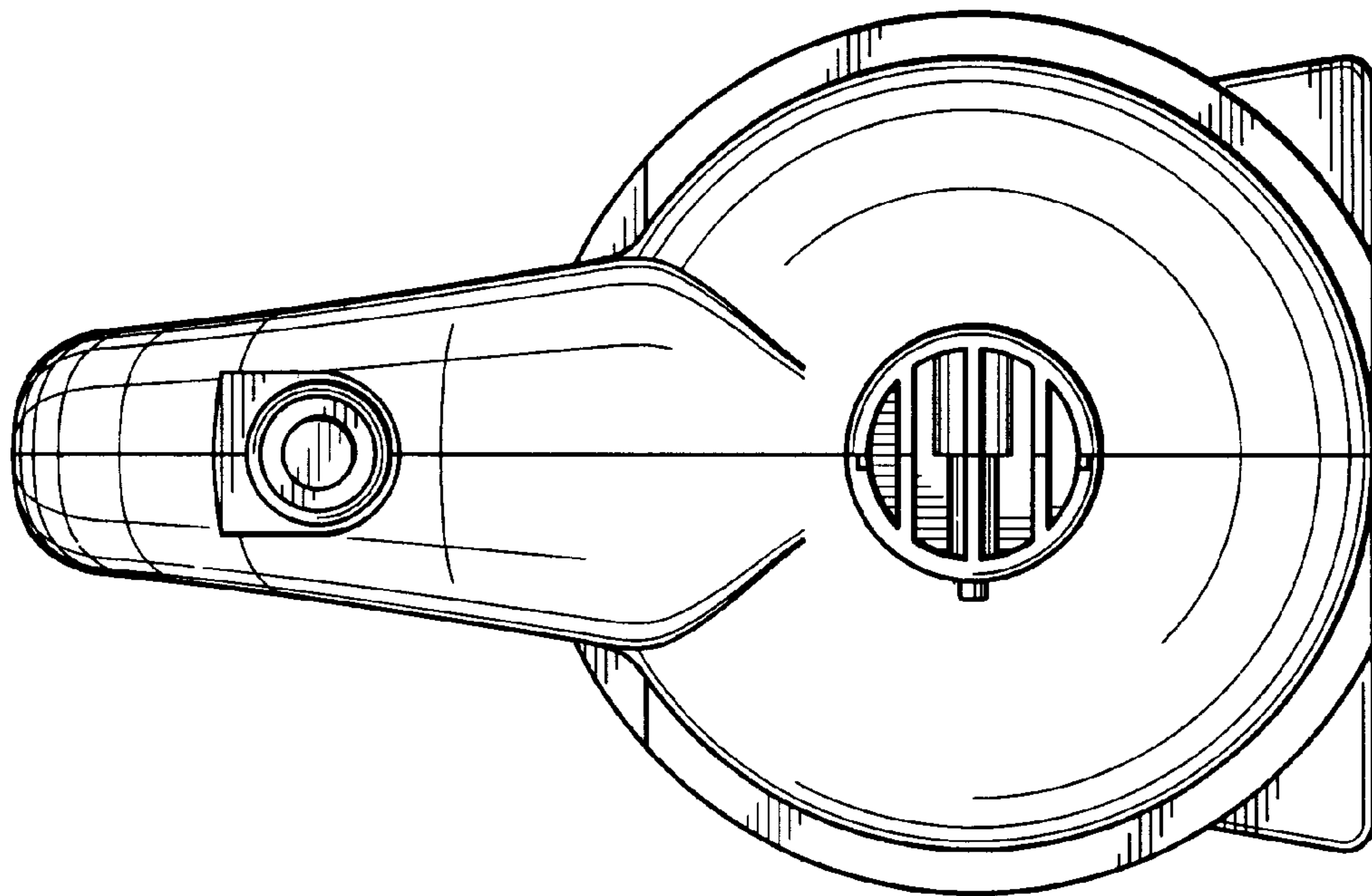


FIG. 5

FIG. 7

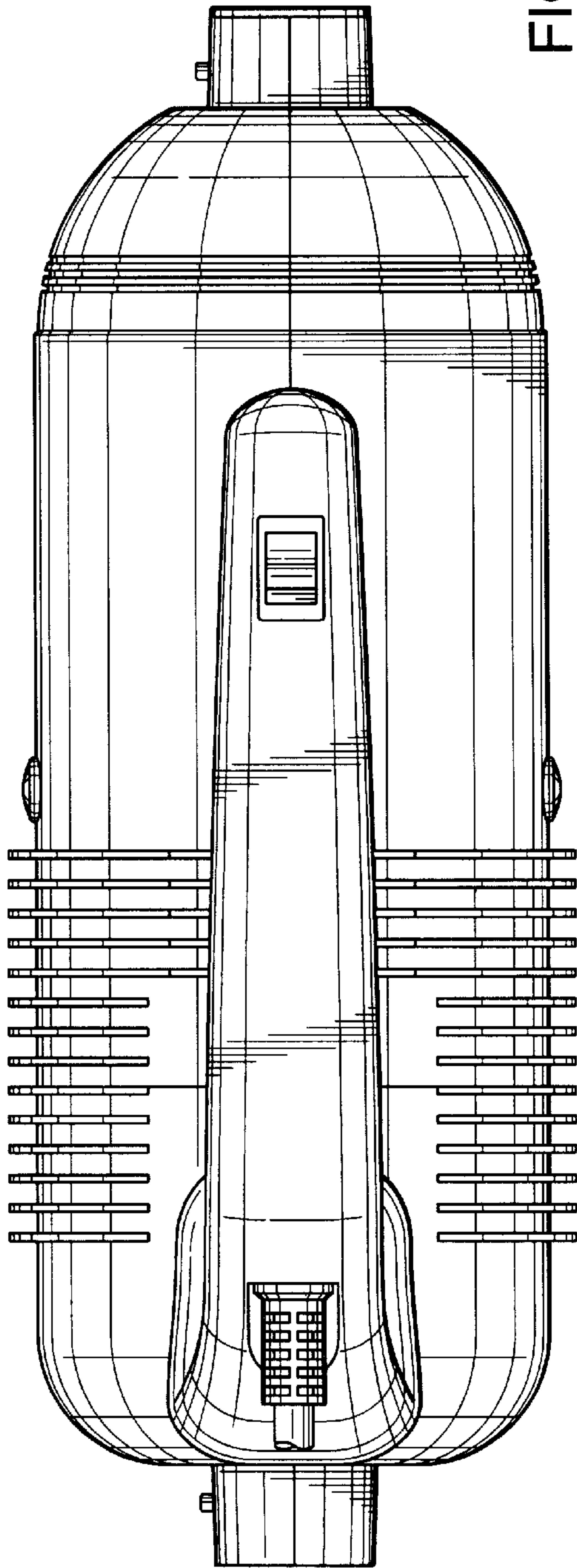


FIG. 8

