



US00D422601S

United States Patent [19] Bonzer

[11] **Patent Number: Des. 422,601**

[45] **Date of Patent: ** Apr. 11, 2000**

[54] **HIGH VOLUME INFLATOR**

[76] Inventor: **Robert L. Bonzer**, 905 W. Amity Rd.,
Boise, Id. 83705

[**] Term: **14 Years**

[21] Appl. No.: **29/108,322**

[22] Filed: **Jul. 23, 1999**

[51] **LOC (6) Cl.** **15-02**

[52] **U.S. Cl.** **D15/7**

[58] **Field of Search** D15/7-9; 417/234,
417/229, 321, 410, 411, 265, 415, 405,
38, 40

[56] **References Cited**

U.S. PATENT DOCUMENTS

- D. 271,203 11/1983 Schütt D15/9
- D. 293,682 1/1988 Liou D15/9

- D. 295,754 5/1988 Wang D15/9
- D. 352,041 11/1994 Hansen D15/9

Primary Examiner—Ralf Seifert

Attorney, Agent, or Firm—Frank J. Dykas; Robert L. Shaver

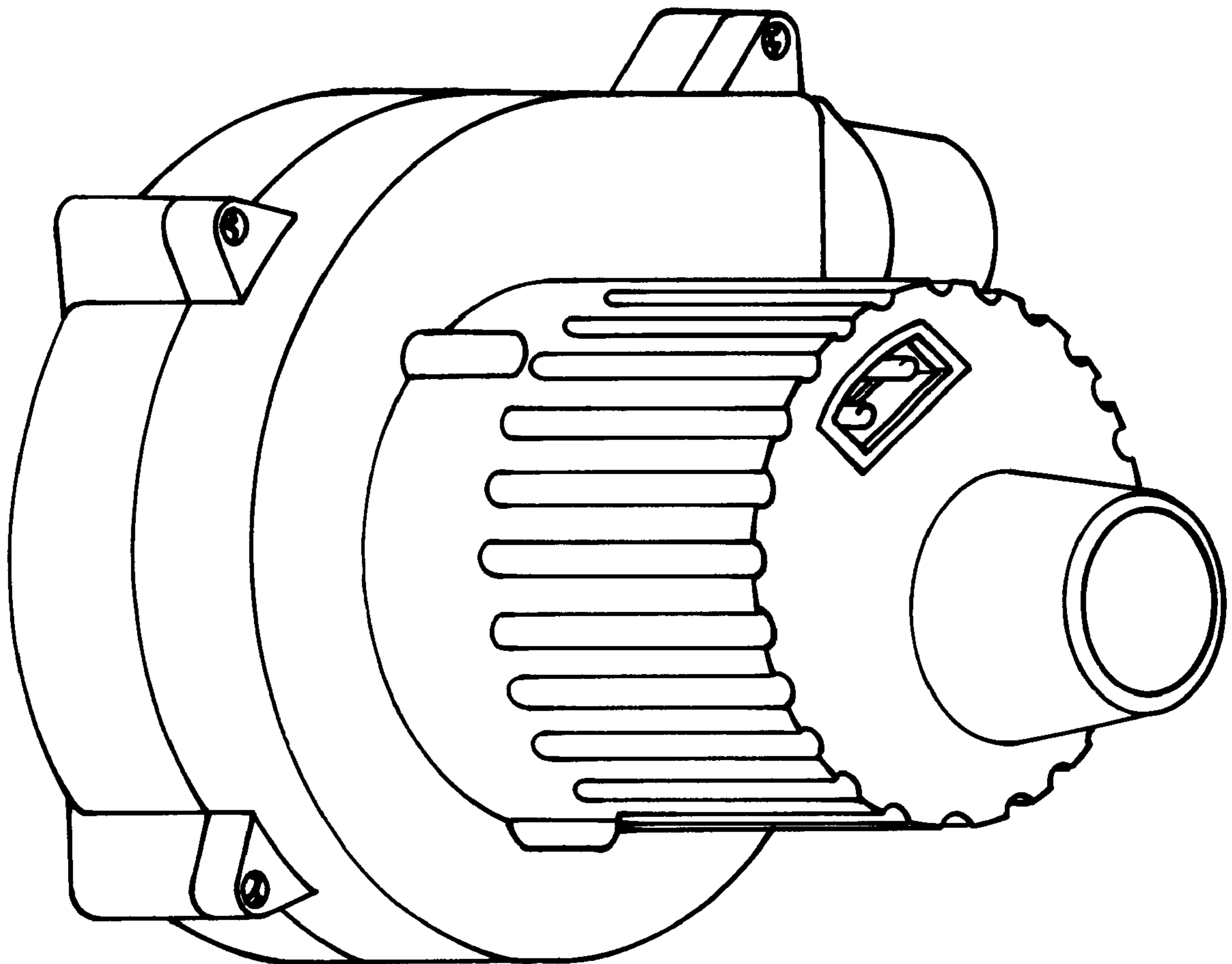
[57] **CLAIM**

The ornamental design for a high volume inflator, as shown and described.

DESCRIPTION

FIG. 1 is a perspective view of a high volume inflator showing my new design;
 FIG. 2 is a top view of the high volume inflator;
 FIG. 3 is a bottom view of the high volume inflator;
 FIG. 4 is a first end view of the high volume inflator;
 FIG. 5 is a second end view of the high volume inflator;
 FIG. 6 is a first side view of the high volume inflator; and,
 FIG. 7 is a second side view of the high volume inflator.

1 Claim, 4 Drawing Sheets



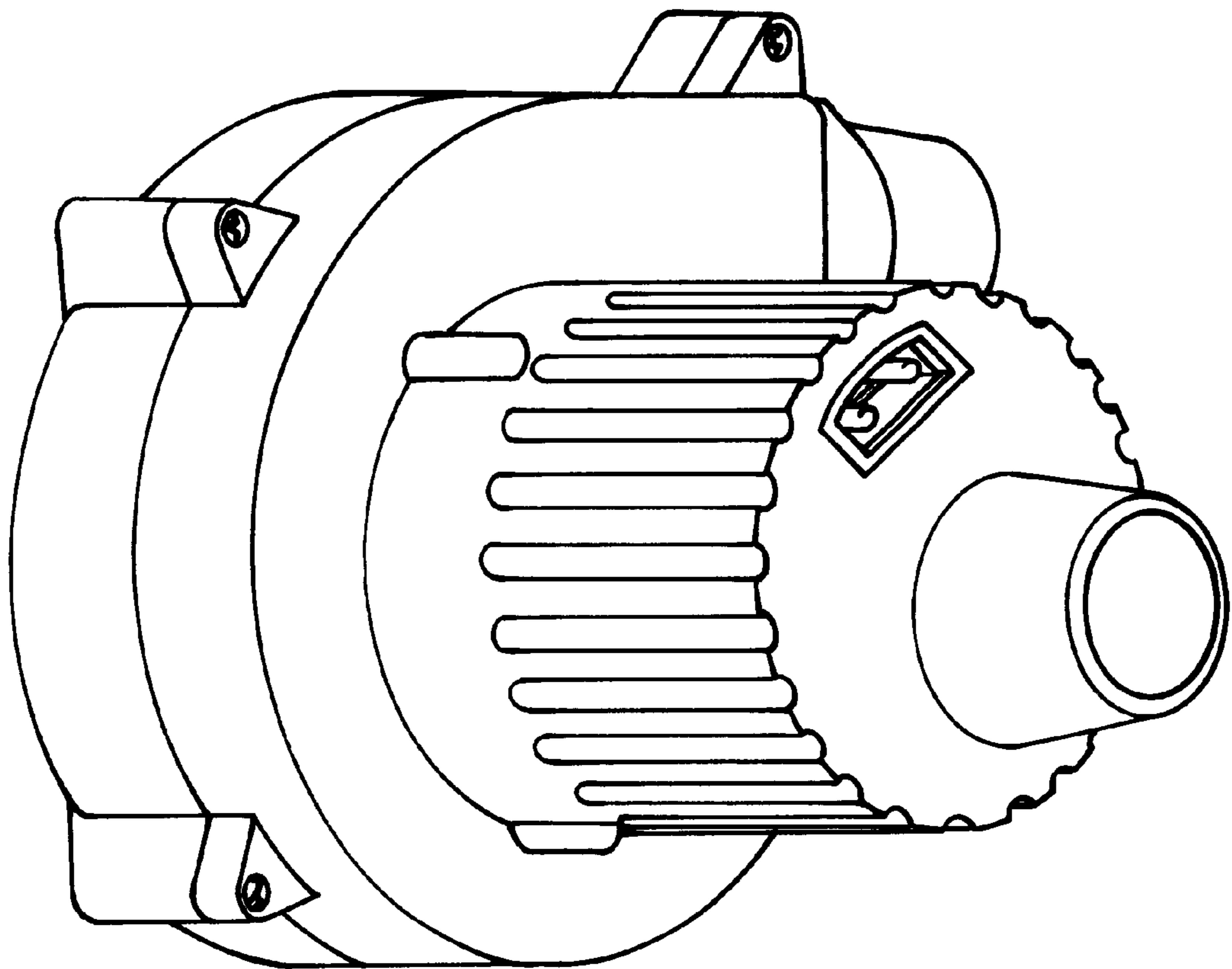


FIG. 1

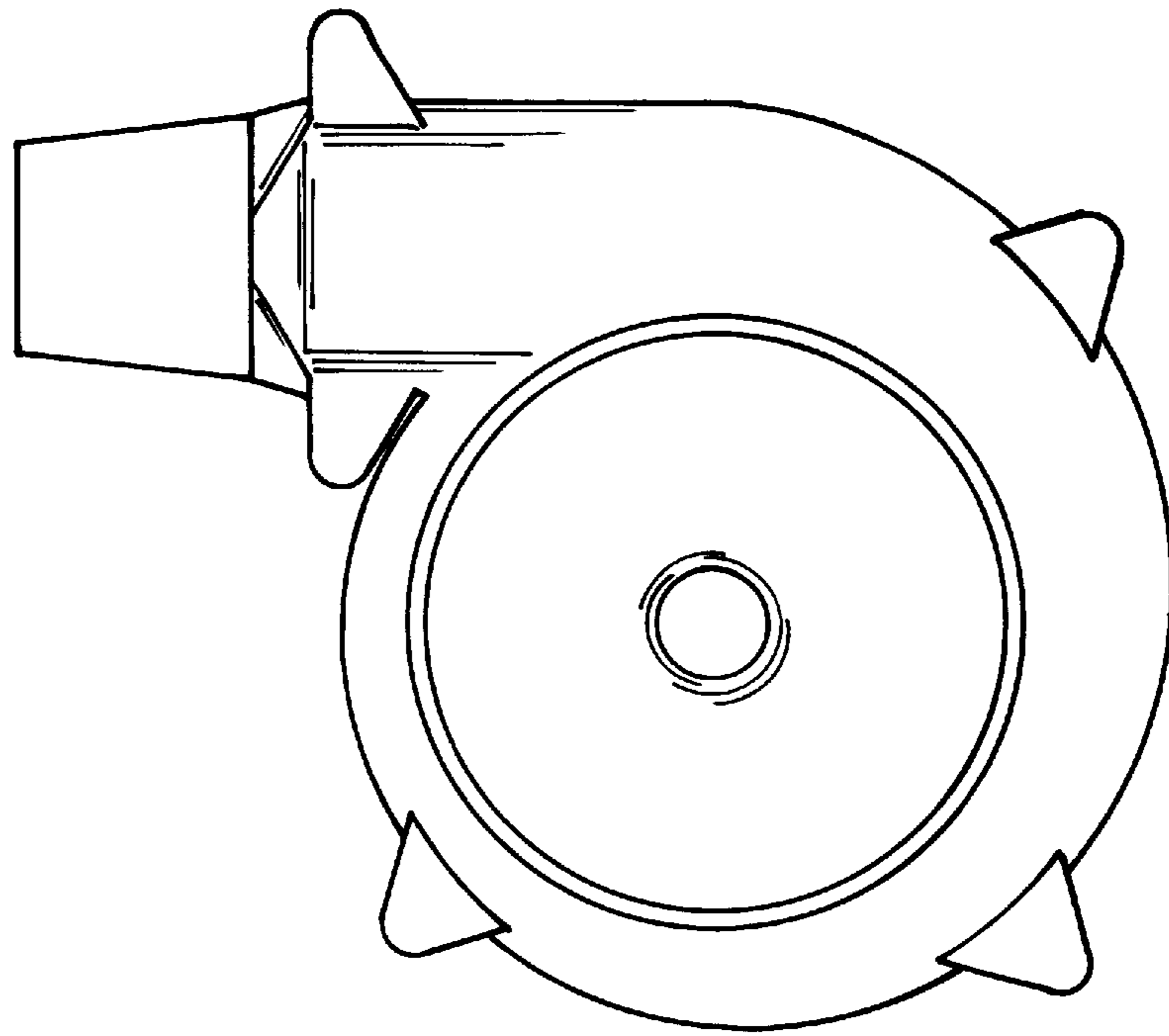


FIG. 2

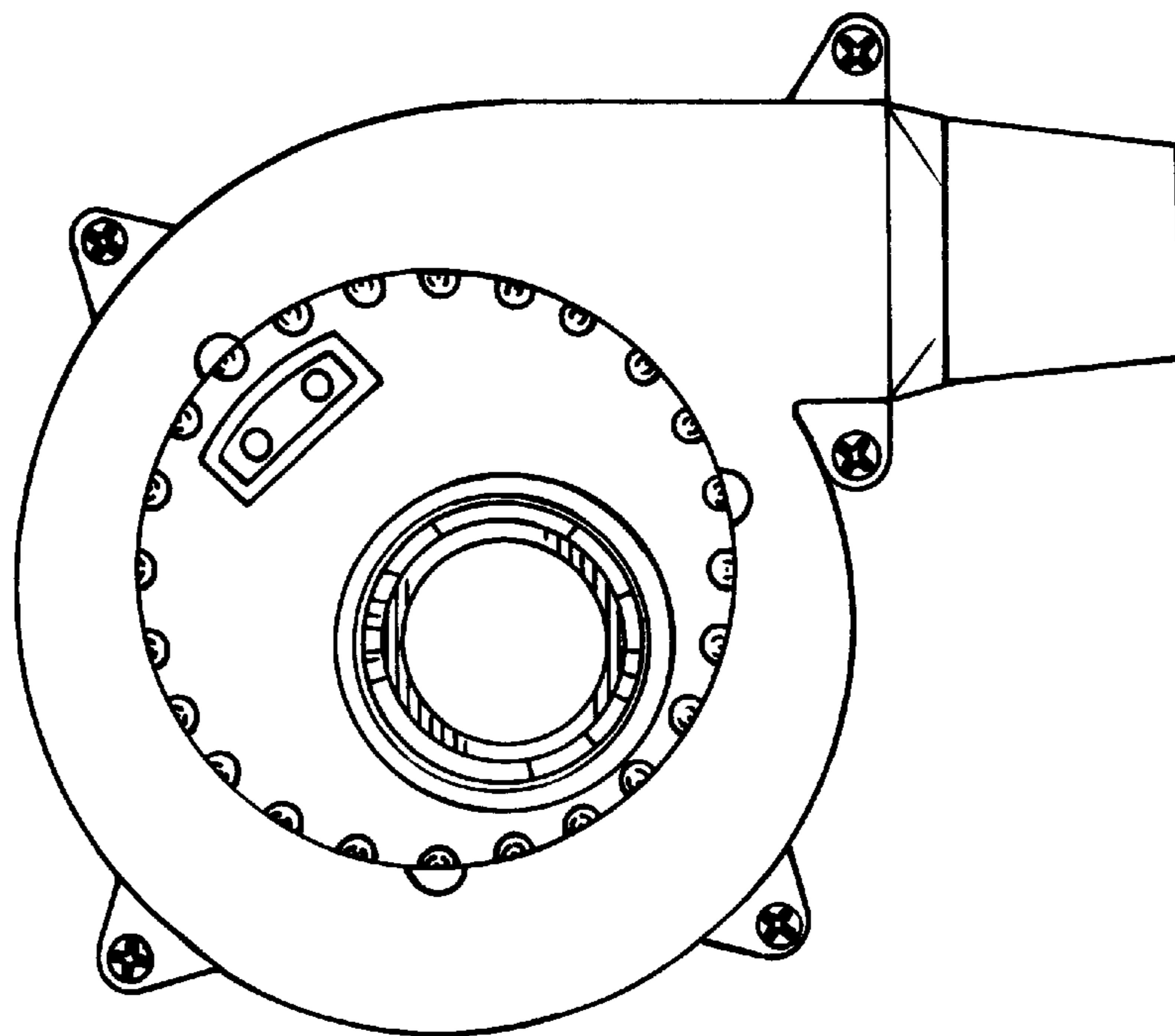
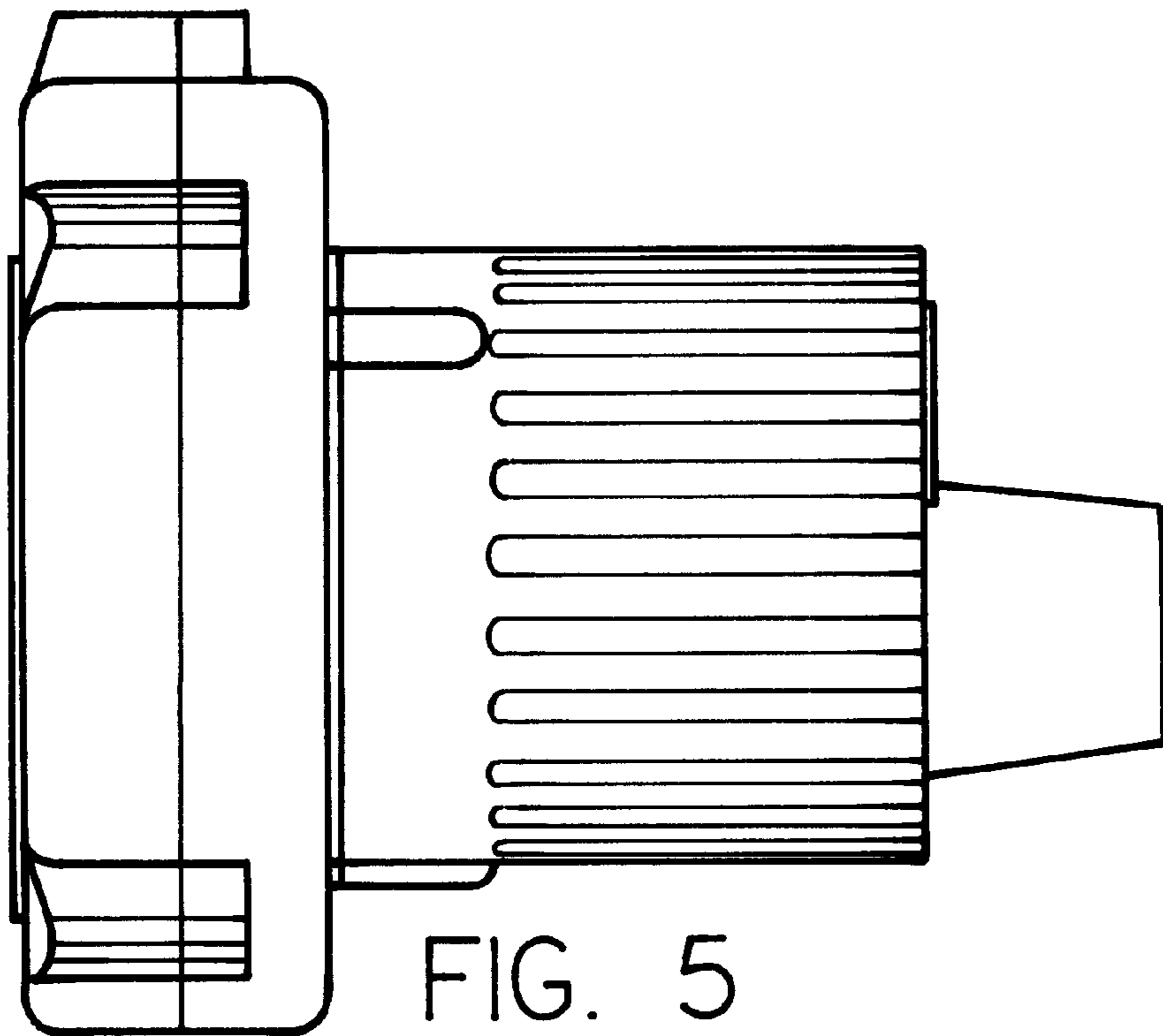
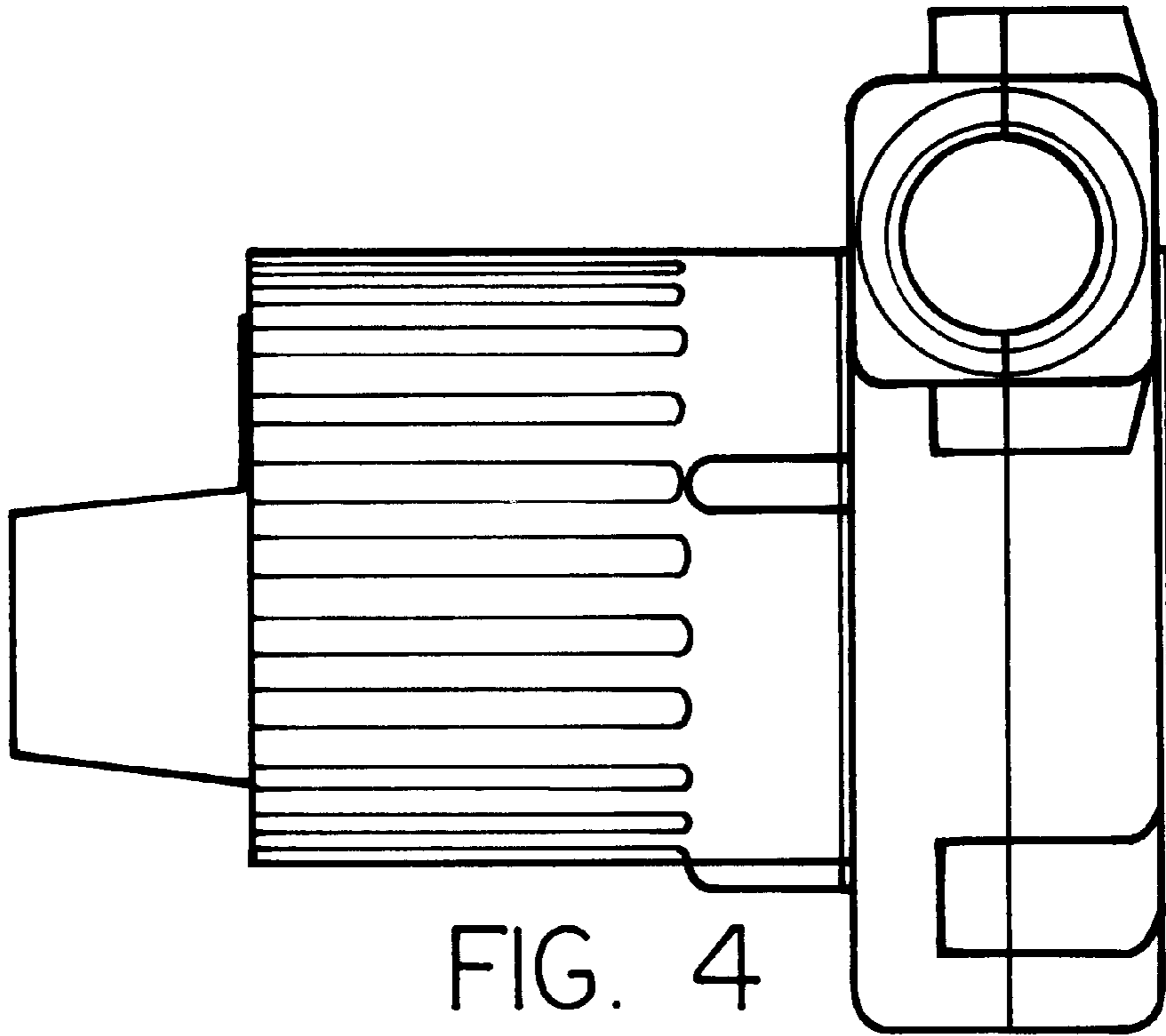


FIG. 3



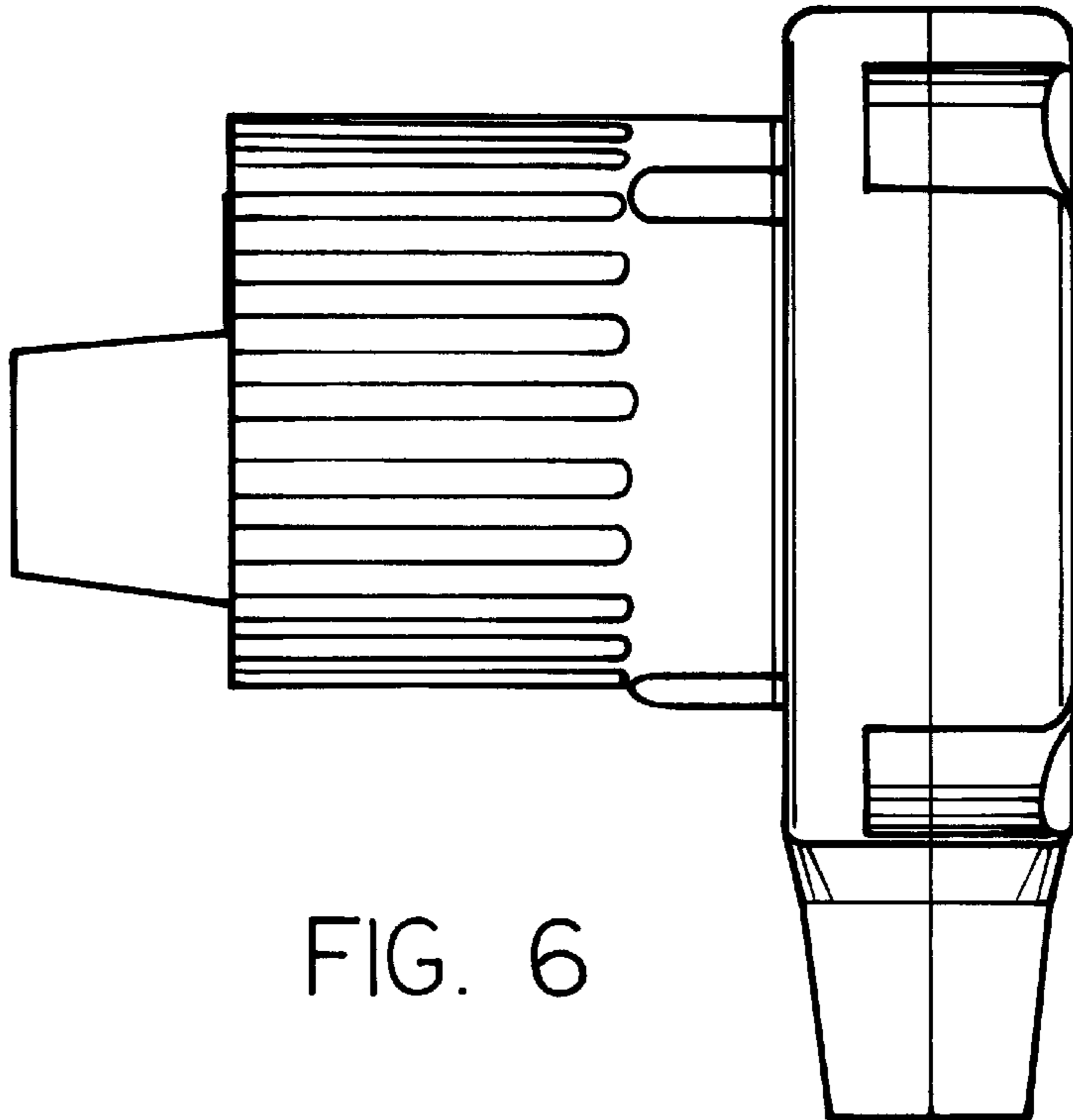


FIG. 6

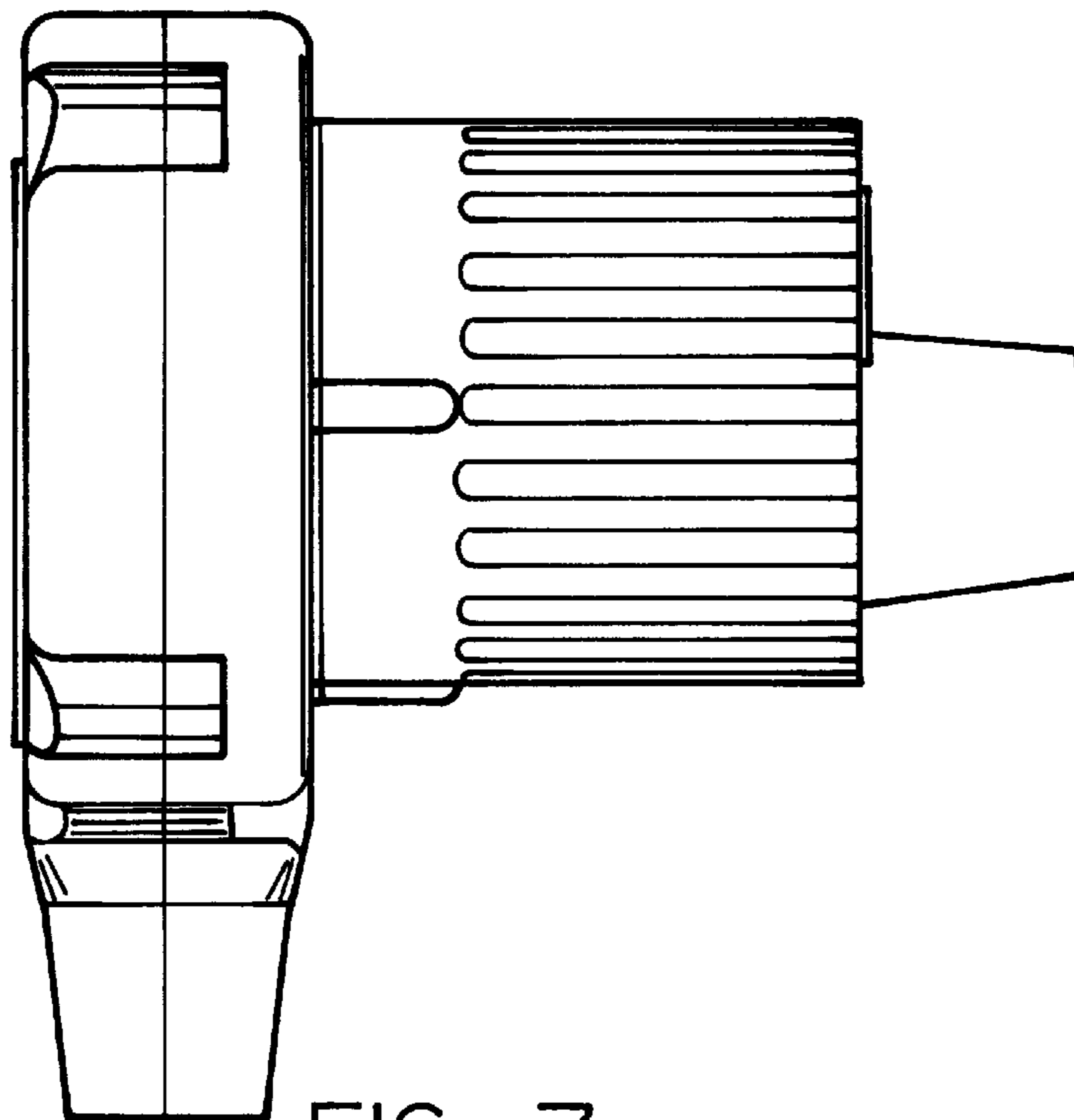


FIG. 7