



US00D422600S

United States Patent [19]

Werner

[11] **Patent Number: Des. 422,600**

[45] **Date of Patent: ** Apr. 11, 2000**

[54] **TRANSMISSION FLUID FILTER**

[75] Inventor: **Charles F. Werner**, Parkridge, Ill.

[73] Assignee: **SPX Corporation**, Muskegon, Mich.

[**] Term: **14 Years**

[21] Appl. No.: **29/102,047**

[22] Filed: **Mar. 16, 1999**

[51] **LOC (6) Cl. 15-01**

[52] **U.S. Cl. D15/5**

[58] **Field of Search D15/1, 5, 149; 210/168, 314, 445**

[56] **References Cited**

U.S. PATENT DOCUMENTS

D. 295,864	5/1988	Toivio et al.	D15/5
D. 317,923	7/1991	Barret	D15/5
4,136,011	1/1979	Joseph et al.	210/168
4,264,443	4/1981	Anderson et al. .	
4,402,827	9/1983	Joseph	210/314
4,450,081	5/1984	Anderson et al. .	
4,826,598	5/1989	Cain	210/445
4,869,816	9/1989	Markl	210/168
5,607,637	3/1997	Beer et al. .	
5,853,577	12/1998	Gizowski et al. .	

OTHER PUBLICATIONS

Filtran Buyer's Guide, particularly pp. 7, 9, 12 and 17 depicting prior art transmission fluid filters identified by Filtran Aftermarket Part Nos. F 192A, F 193A F, 226A, F 261, F 262, F 320 (1999).

Primary Examiner—Ralf Seifert
Attorney, Agent, or Firm—Hovey, Williams, Timmons & Collins

[57] **CLAIM**

The ornamental design for a transmission fluid filter, as shown and described.

DESCRIPTION

FIG. 1 is a top plan view of a transmission fluid filter embodying my design;

FIG. 2 is a bottom plan view of the transmission fluid filter;

FIG. 3 is an end elevational view of the transmission fluid filter;

FIG. 4 is an elevational view of the end of the transmission fluid filter opposite from that shown in FIG. 3;

FIG. 5 is a side elevational view of the transmission fluid filter;

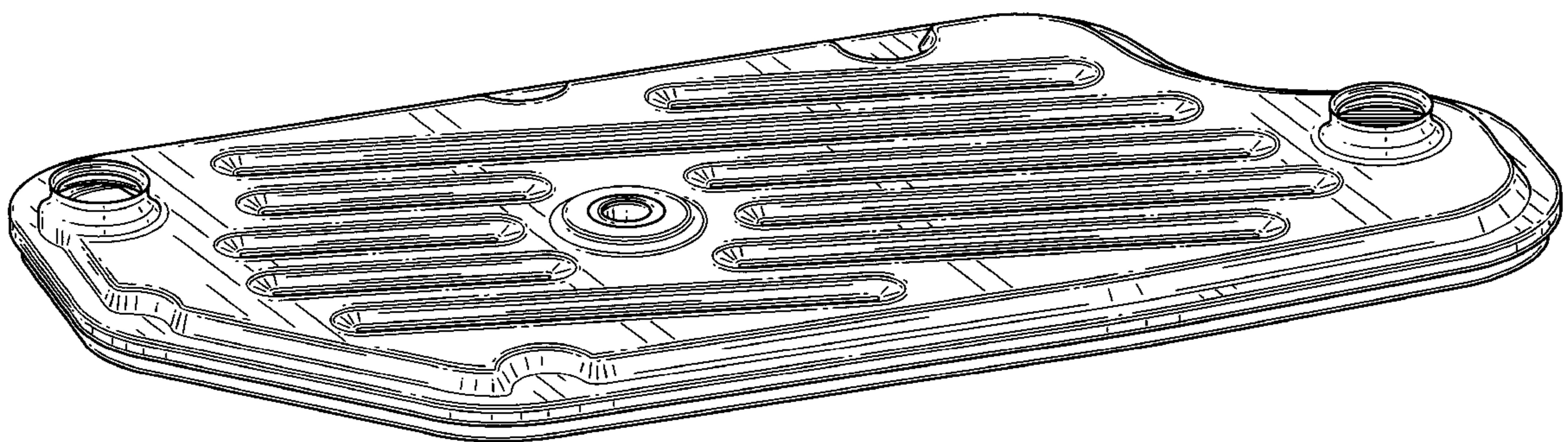
FIG. 6 is an elevational view of the side of the transmission fluid filter opposite from that shown in FIG. 5;

FIG. 7 is a perspective view of the top of the transmission fluid filter;

FIG. 8 is a perspective view of the bottom of the transmission fluid filter; and,

FIG. 9 is a perspective view of the bottom of a second embodiment of my design.

1 Claim, 7 Drawing Sheets



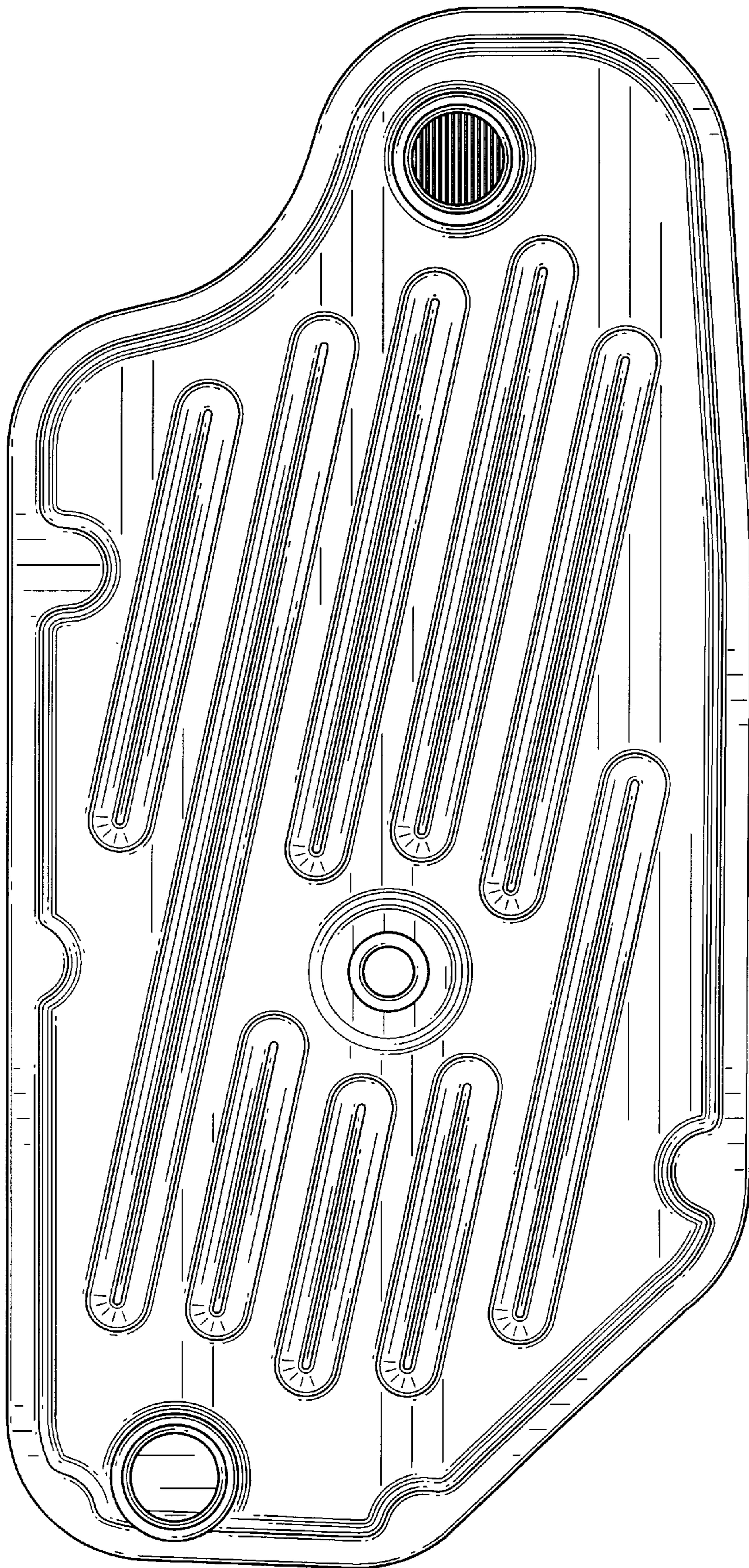


FIG. 1

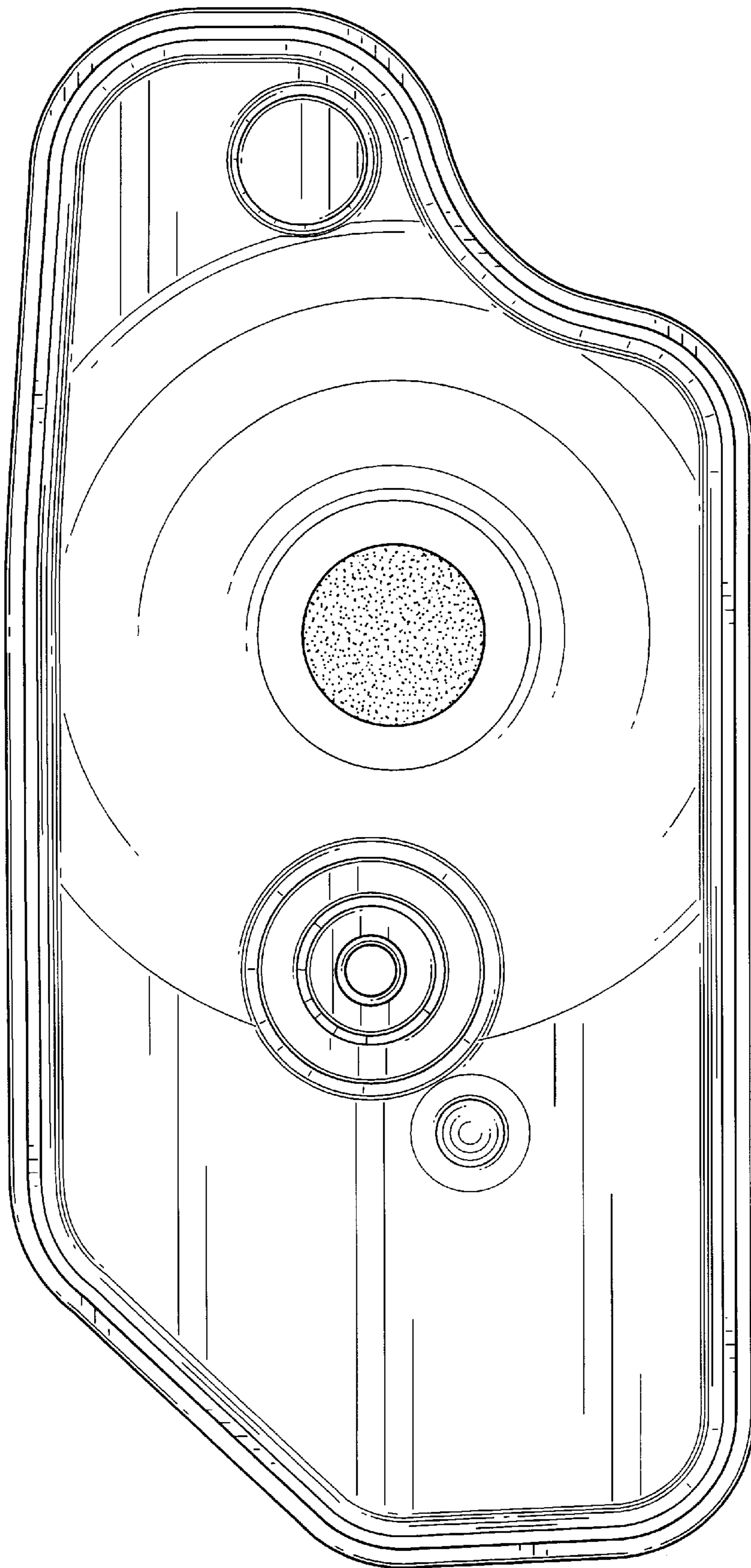


FIG. 2

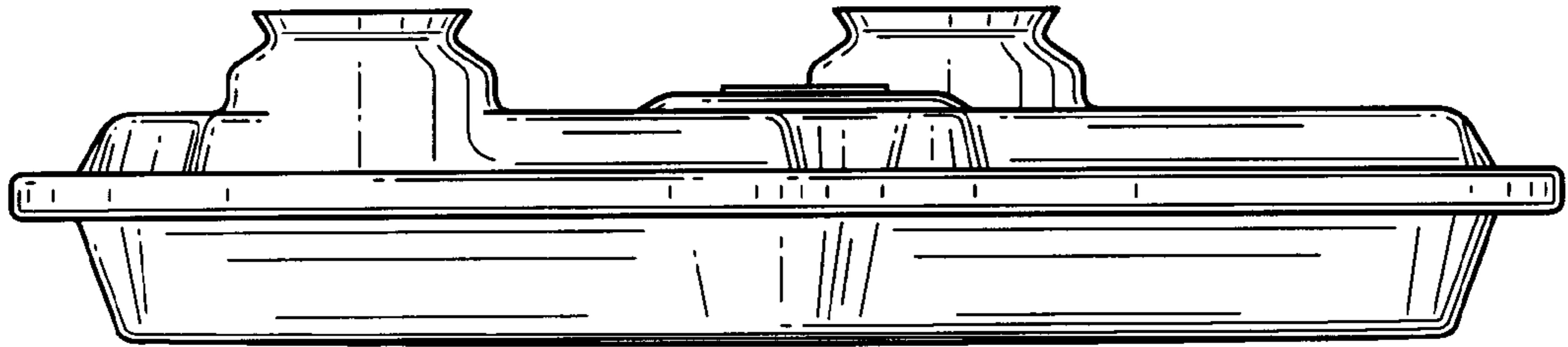


FIG. 3

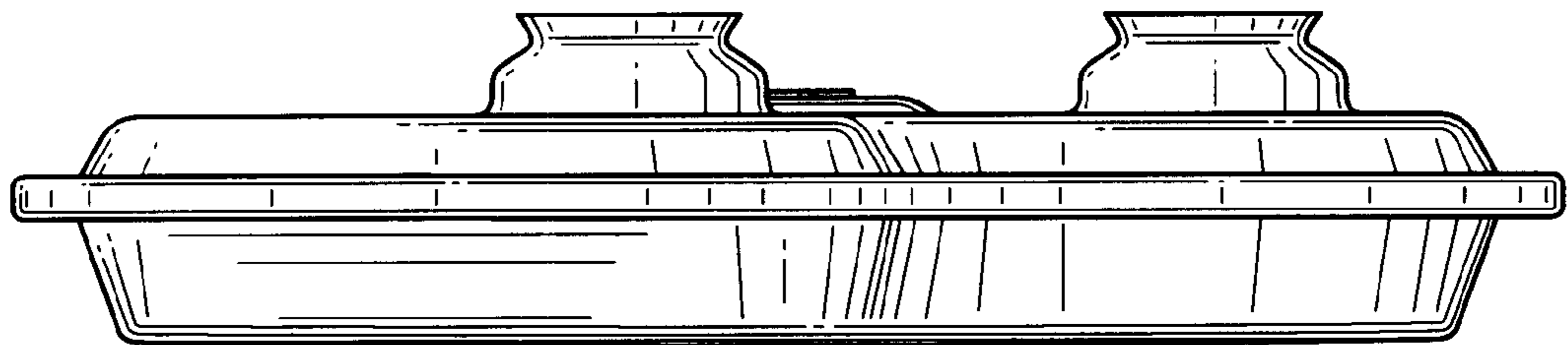


FIG. 4

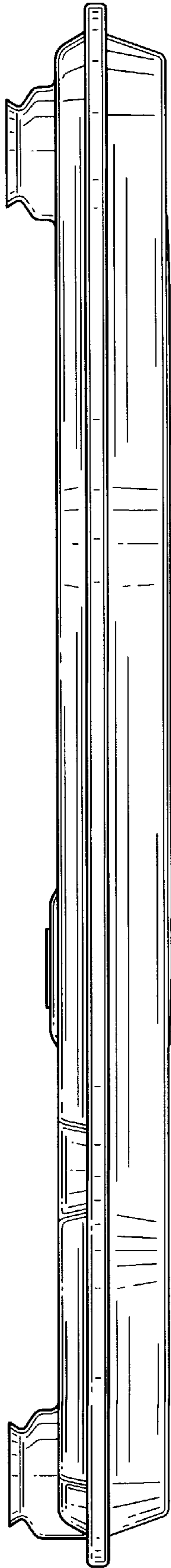


FIG. 5

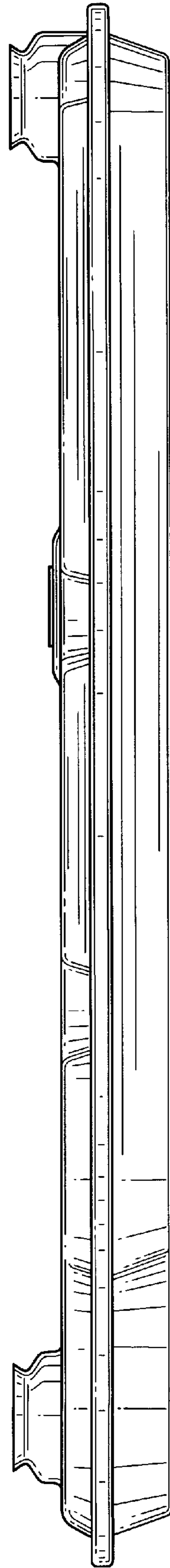


FIG. 6

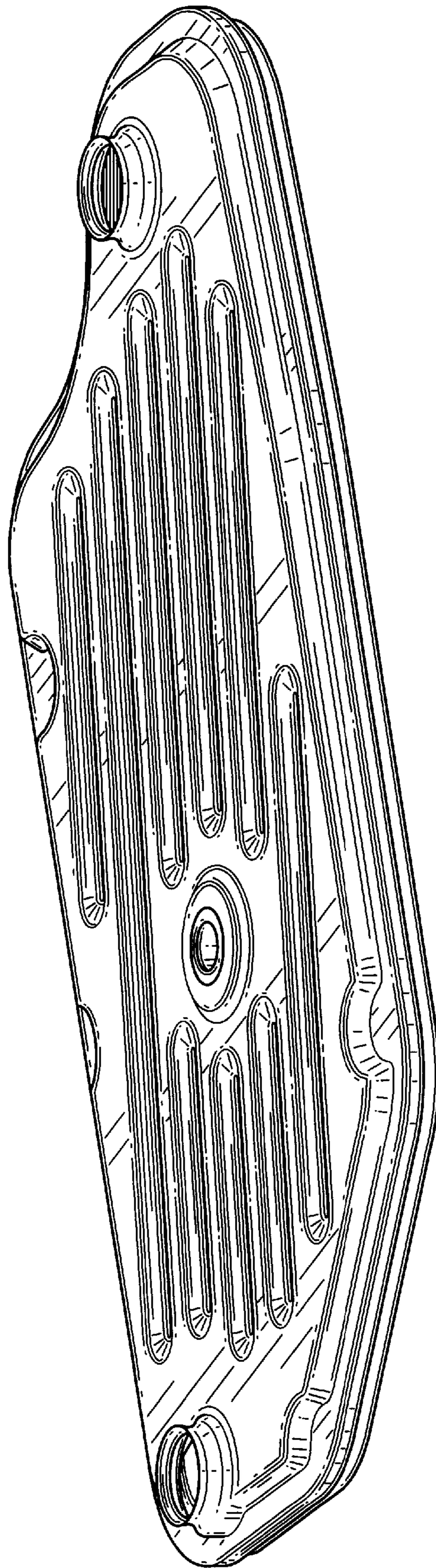


FIG. 7

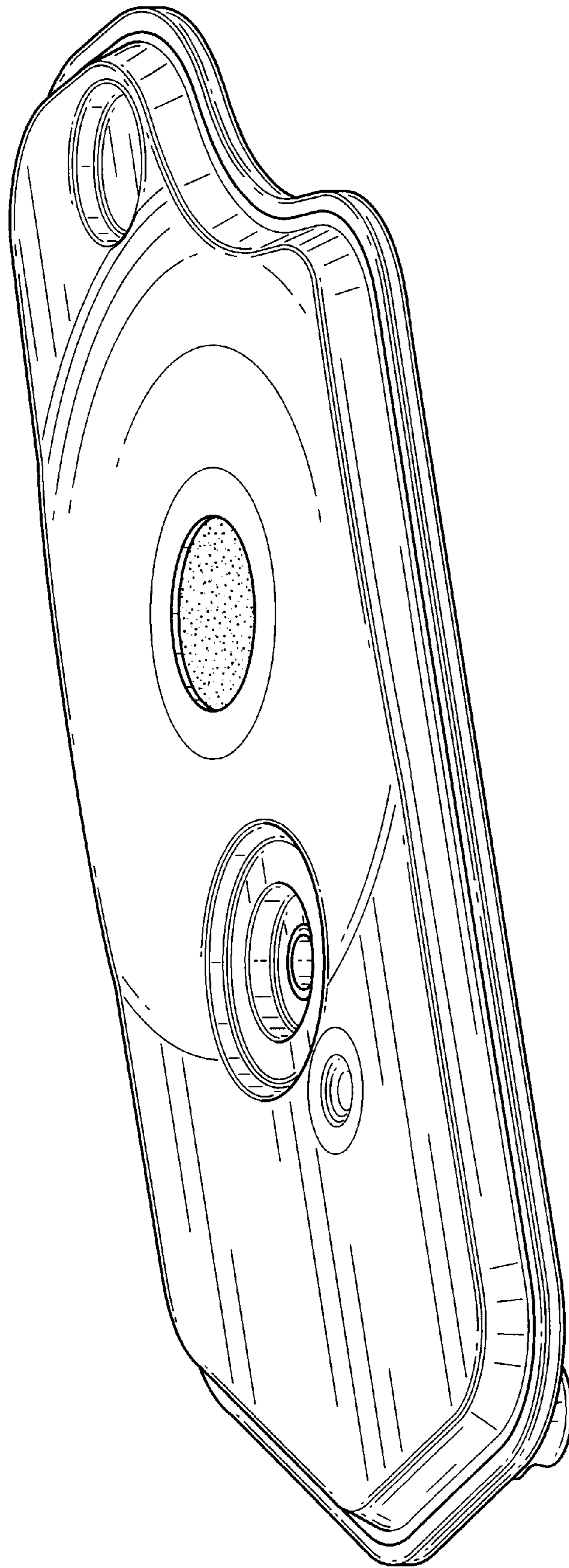


FIG. 8

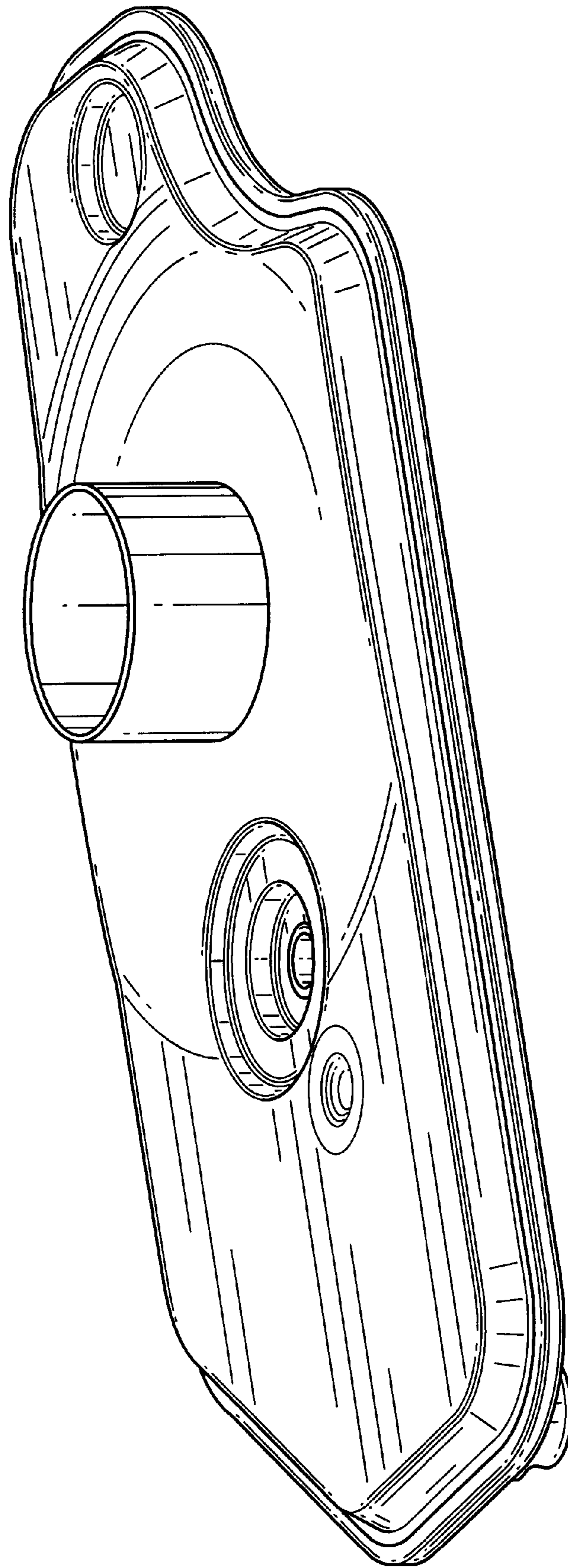


FIG. 9