



US00D422596S

United States Patent [19]

Nakahara et al.

[11] Patent Number: Des. 422,596

[45] Date of Patent: ** Apr. 11, 2000

[54] PORTABLE TELEPHONE

[75] Inventors: **Yoshihito Nakahara**, Tokyo; **Ryo Kodama**, Kanagawa-ken, both of Japan

[73] Assignee: **Mitsubishi Denki Kabushiki Kaisha**, Tokyo, Japan

[**] Term: **14 Years**

[21] Appl. No.: **29/108,143**

[22] Filed: **Jul. 22, 1999**

[30] Foreign Application Priority Data

Mar. 8, 1999 [JP] Japan 11-5750

[51] LOC (6) Cl. **14-03**

[52] U.S. Cl. **D14/247**

[58] Field of Search D14/137, 218, D14/138, 144, 147-148, 247-249, 140-142, 250, 240, 100, 115, 154; 379/433, 434, 419, 420, 428, 440, 368; 455/550-575, 90; D13/168; D18/2, 7

[56] References Cited

U.S. PATENT DOCUMENTS

- D. 353,809 12/1994 Nuovo et al. D14/138
- D. 378,589 3/1997 Ellermeier D14/154
- D. 389,157 1/1998 Williams et al. D14/247
- D. 392,635 3/1998 Chikuma .
- D. 398,002 9/1998 Chacon et al. D14/115
- D. 398,931 6/1997 Nuovo et al. .
- D. 402,981 12/1998 Galletti et al. D14/138
- D. 406,137 2/1999 Kolinene D14/138
- D. 409,204 5/1999 Vuolteenaho D14/247
- D. 410,920 6/1999 Lee et al. D14/138
- D. 411,994 7/1999 Nakahara et al. .

- D. 412,000 7/1999 Harris et al. D14/247
- D. 413,896 9/1999 Frye et al. D14/247
- D. 414,189 9/1999 Phillips et al. D14/247

FOREIGN PATENT DOCUMENTS

- 982906 6/1997 Japan .
- 997167 9/1997 Japan .

OTHER PUBLICATIONS

Japanese language advertisement showing Mitsubishi TL-PH9, Sep. 1997.

Primary Examiner—Jeffrey Asch
Attorney, Agent, or Firm—Oblon, Spivak, McClelland, Maier & Neustadt, P.C.

[57] CLAIM

The ornamental design for a portable telephone, as shown and described.

DESCRIPTION

FIG. 1 is a front elevational view of a portable telephone, showing our new design;
 FIG. 2 is a rear elevational view thereof;
 FIG. 3 is a top plan view thereof;
 FIG. 4 is a bottom plan view thereof;
 FIG. 5 is a left side elevational view thereof;
 FIG. 6 is a right side elevational view thereof;
 FIG. 7 is a cross-sectional view thereof, taken along line 7—7 in FIG. 1, with the internal system omitted;
 FIG. 8 is a cross-sectional view thereof, taken along line 8—8 in FIG. 1, with the internal system omitted; and,
 FIG. 9 is a front, top and right side perspective view thereof. The broken lines shown in FIGS. 1 to 9 are for illustrative purposes only and form no part of the claimed invention.

1 Claim, 5 Drawing Sheets

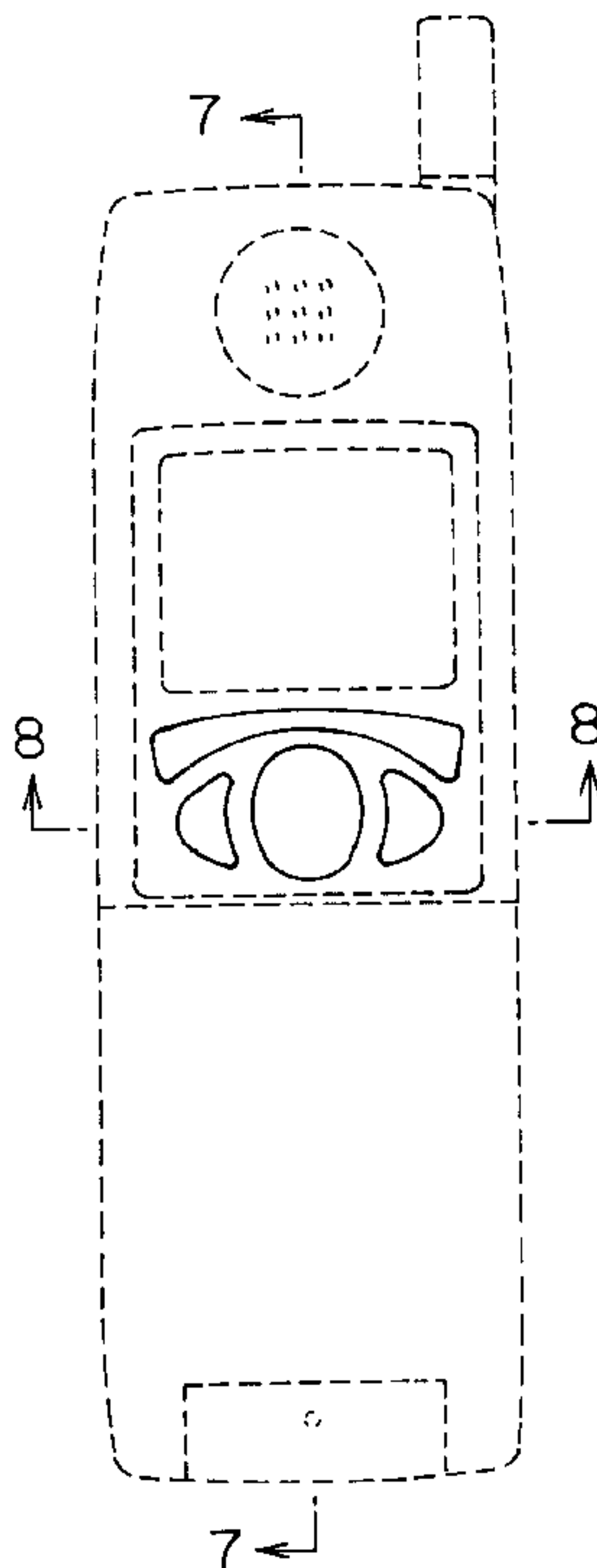


FIG. 1

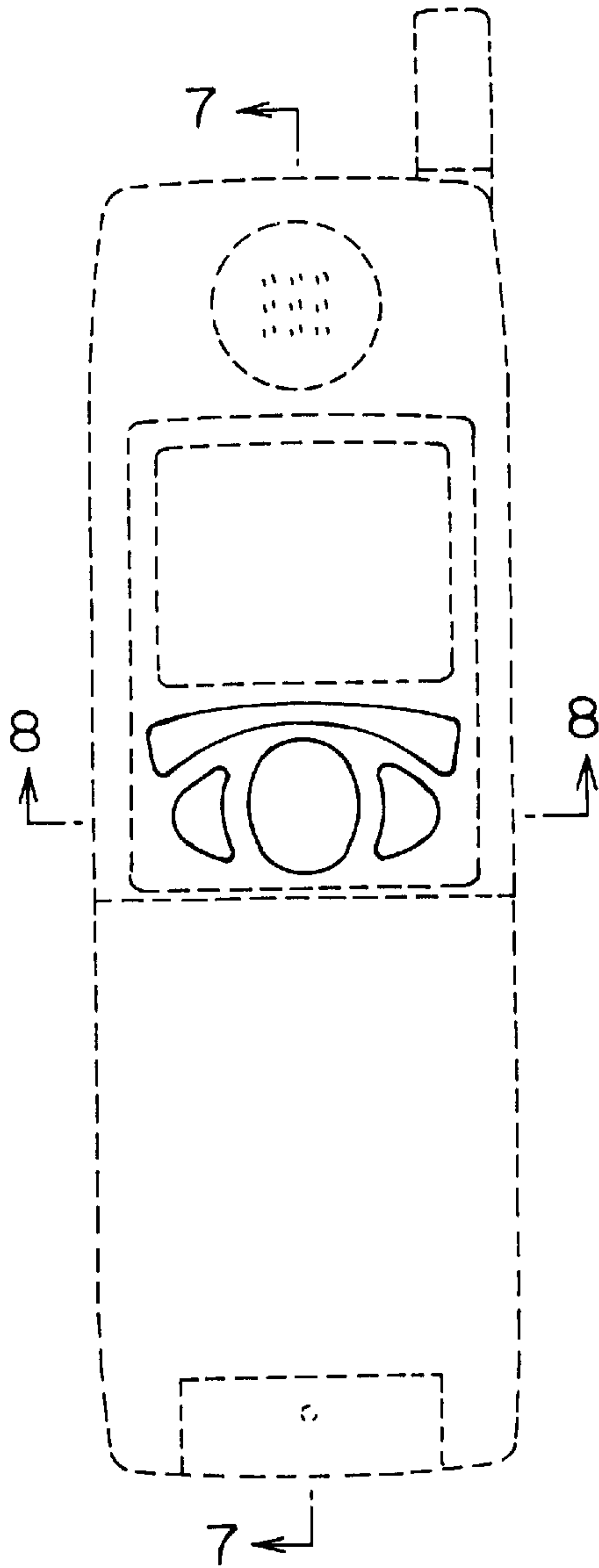


FIG. 2

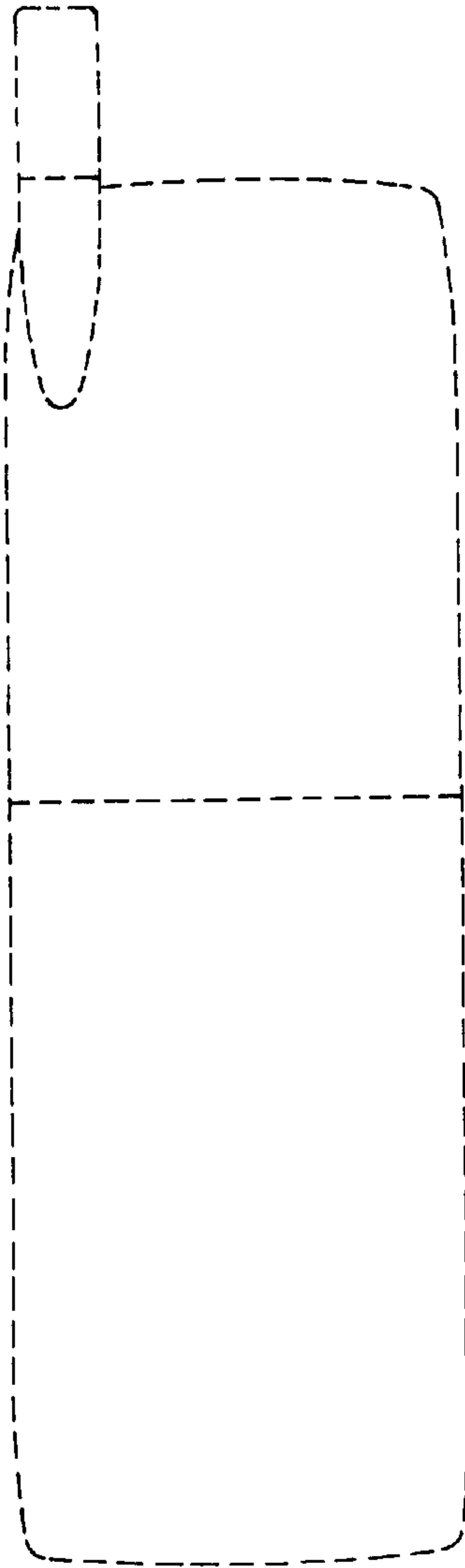


FIG. 3

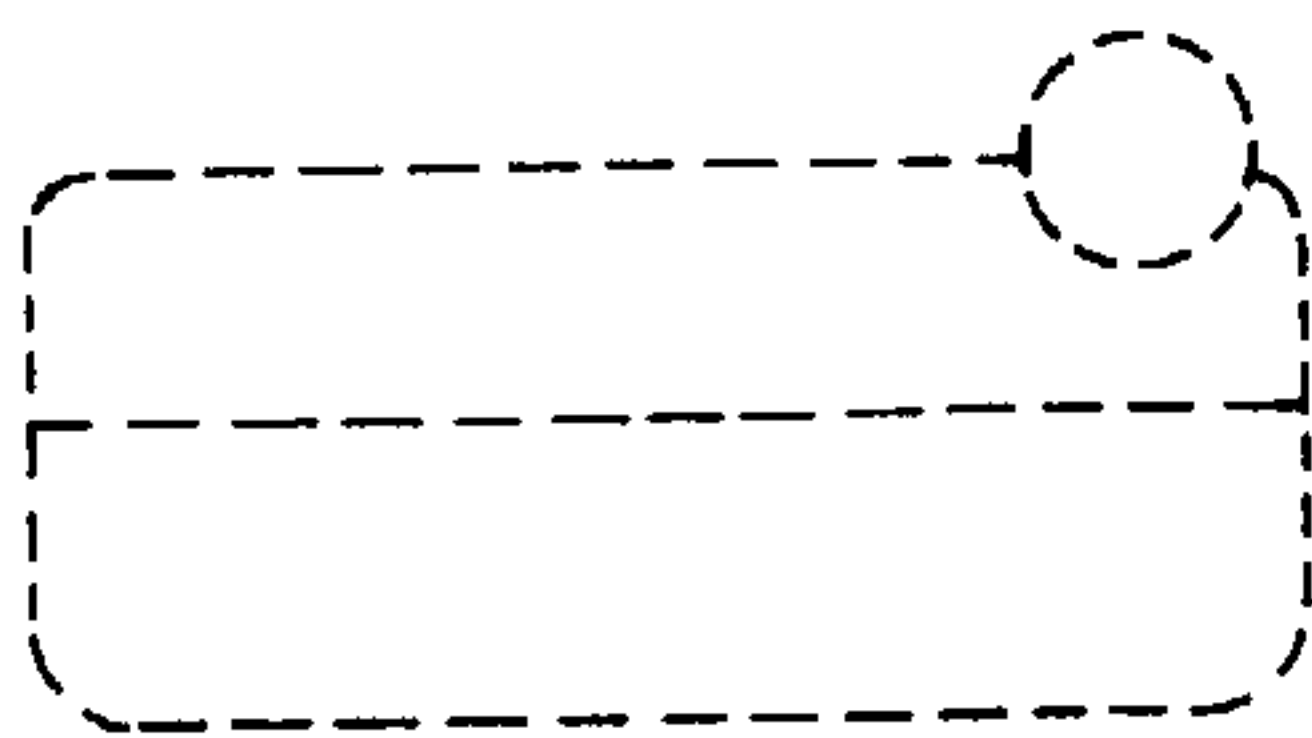


FIG. 4

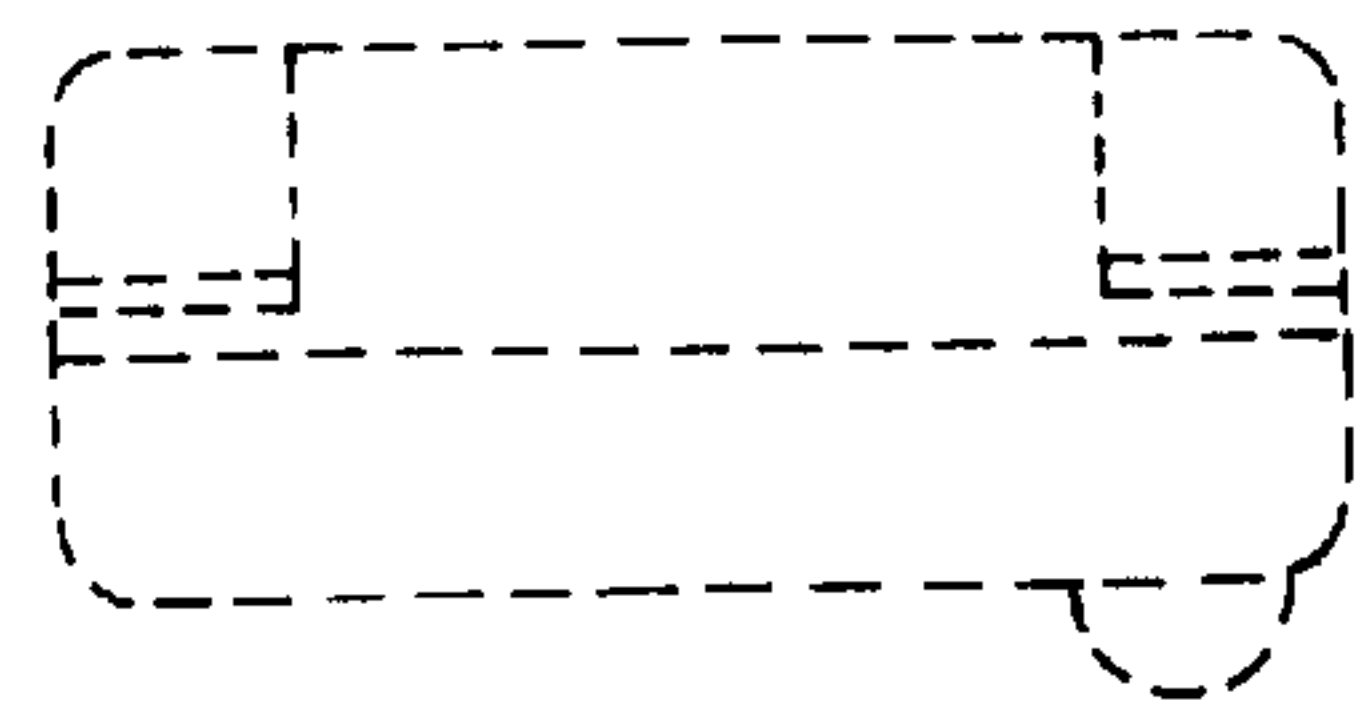


FIG. 5

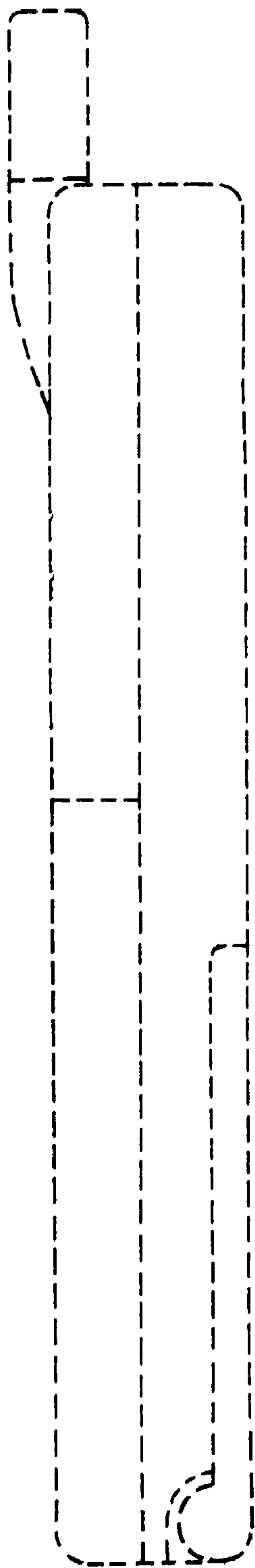


FIG. 6

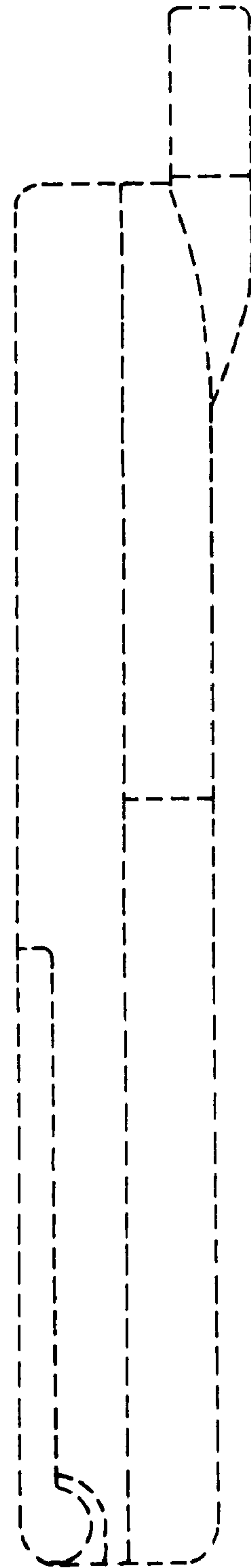


FIG. 7

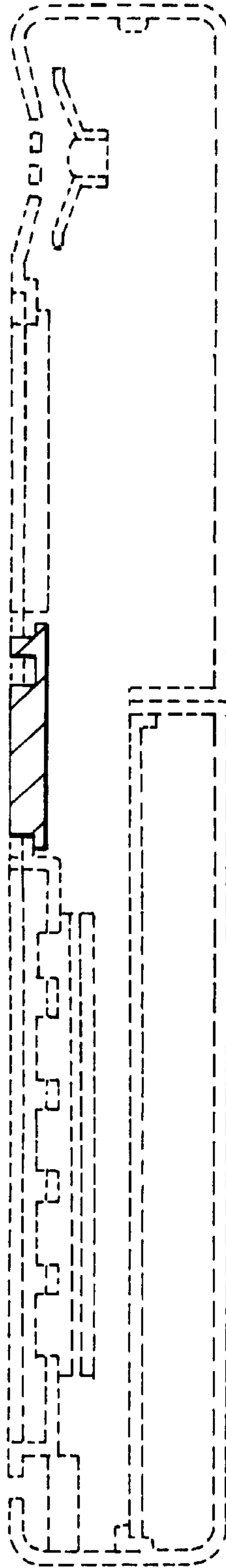


FIG. 8

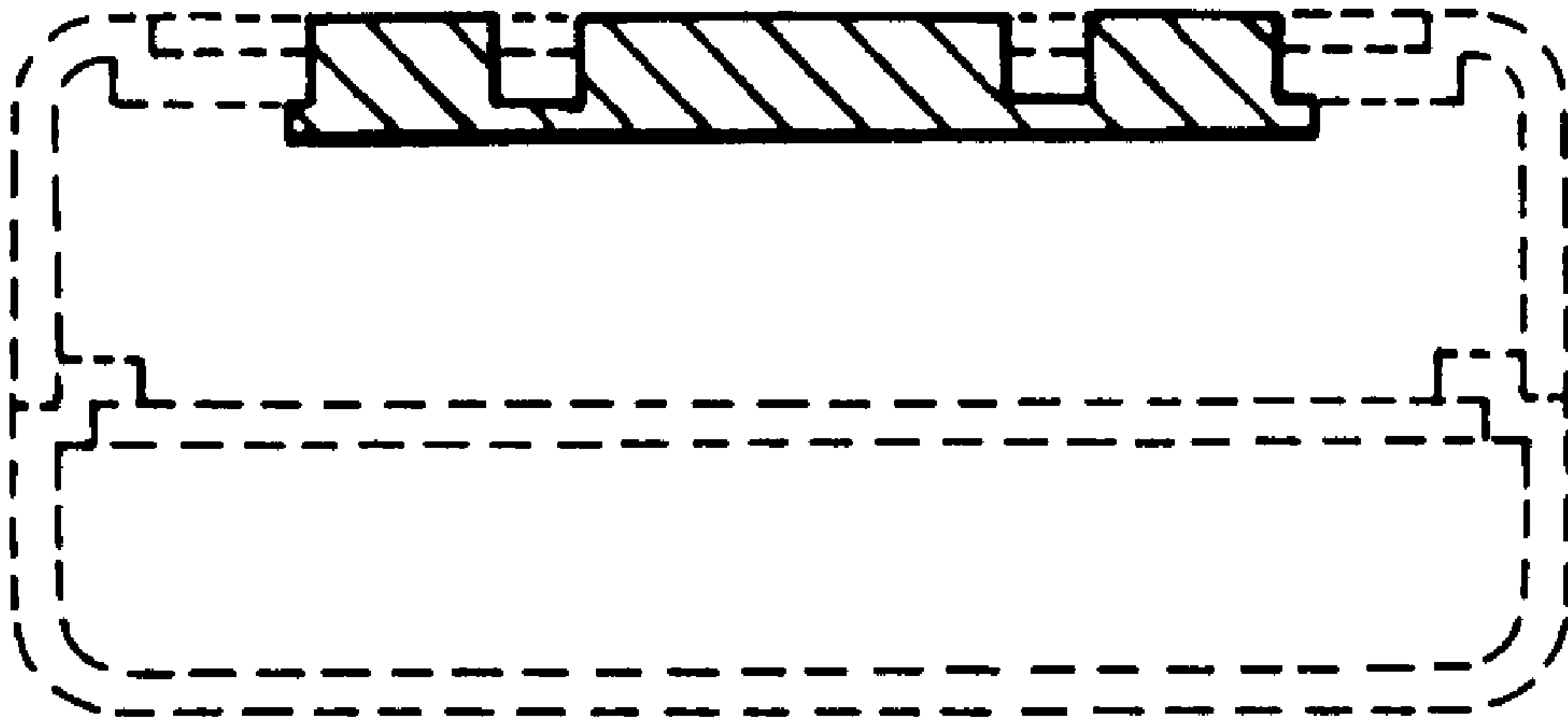


FIG. 9

