



US00D422586S

United States Patent [19] Waldner

[11] **Patent Number: Des. 422,586**

[45] **Date of Patent: ** Apr. 11, 2000**

[54] **MOBILE TELEPHONE**

[75] Inventor: **Thomas William Waldner**, Malmö, Sweden

[73] Assignee: **Telefonaktiebolaget LM Ericsson**, Stockholm, Sweden

[**] Term: **14 Years**

[21] Appl. No.: **29/089,673**

[22] Filed: **Jun. 19, 1998**

[30] Foreign Application Priority Data

Dec. 19, 1997 [SE] Sweden 97-2729

[51] **LOC (6) Cl.** **14-03**

[52] **U.S. Cl.** **D14/138**

[58] **Field of Search** D14/137, 138, D14/218, 147-148, 247-248, 250, 240, 140-142; 379/433, 434, 419, 420, 428, 440; 455/550-575, 90

[56] References Cited

U.S. PATENT DOCUMENTS

D. 383,130	9/1997	Waldner	D14/138
D. 386,175	11/1997	Nagele et al.	D14/138
D. 392,285	3/1998	MacDonald et al.	D14/138
D. 394,433	5/1998	Lindeman et al.	D14/138
D. 395,302	6/1998	Nagele et al.	D14/138
5,771,438	6/1998	Palermo et al.	455/575 X

OTHER PUBLICATIONS

Norway Design Publication, Sokn.nr. 950502 Inngitt: Jul. 4, 1995.

German Design Publication, DE Geschmckmusterblatt Heft 2 vom, Jan. 25, 1996.

Primary Examiner—Jeffrey Asch
Attorney, Agent, or Firm—Burns, Doane, Swecker & Mathis, L.L.P.

[57] CLAIM

The ornamental design for a mobile telephone, as shown and described.

DESCRIPTION

FIG. 1 is a front perspective view according to my new design;

FIG. 2 is a rear perspective view thereof;

FIG. 3 is a left side elevational view thereof;

FIG. 4 is a front elevational view thereof;

FIG. 5 is a right side elevational view thereof;

FIG. 6 is a rear elevational view thereof;

FIG. 7 is a top plan view thereof;

FIG. 8 is a bottom plan view thereof;

FIG. 9 is a front perspective view according to a further embodiment of the design shown in FIG. 1;

FIG. 10 is a rear perspective view thereof;

FIG. 11 is a left side elevational view thereof;

FIG. 12 is a front elevational view thereof;

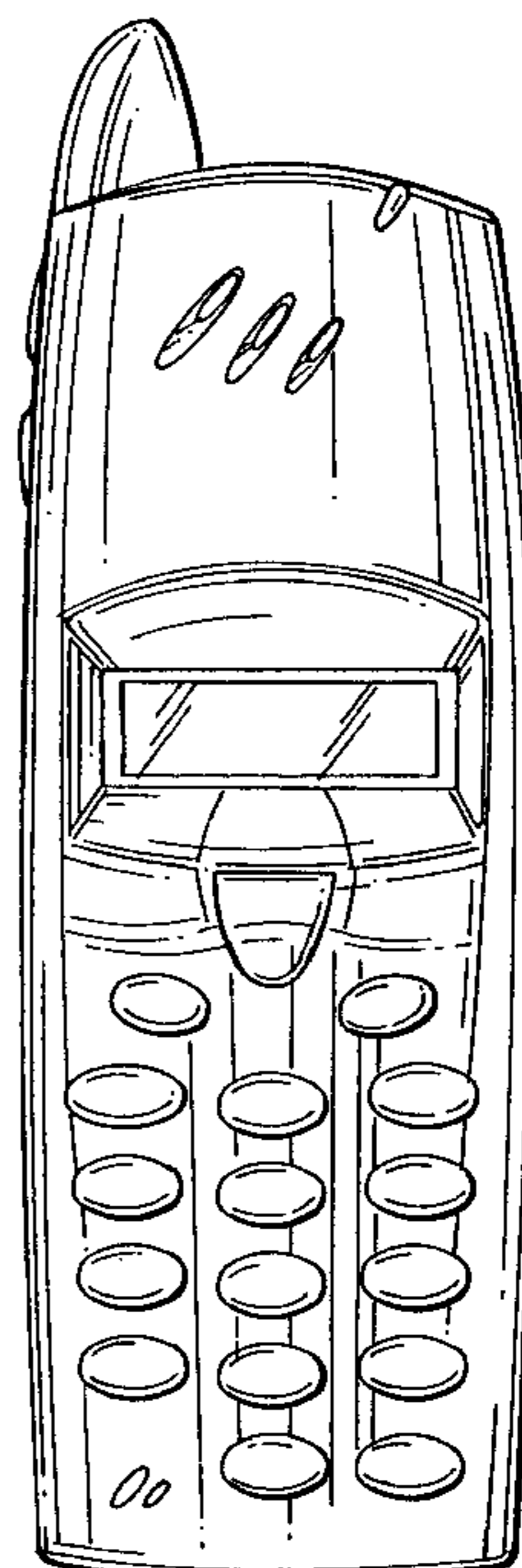
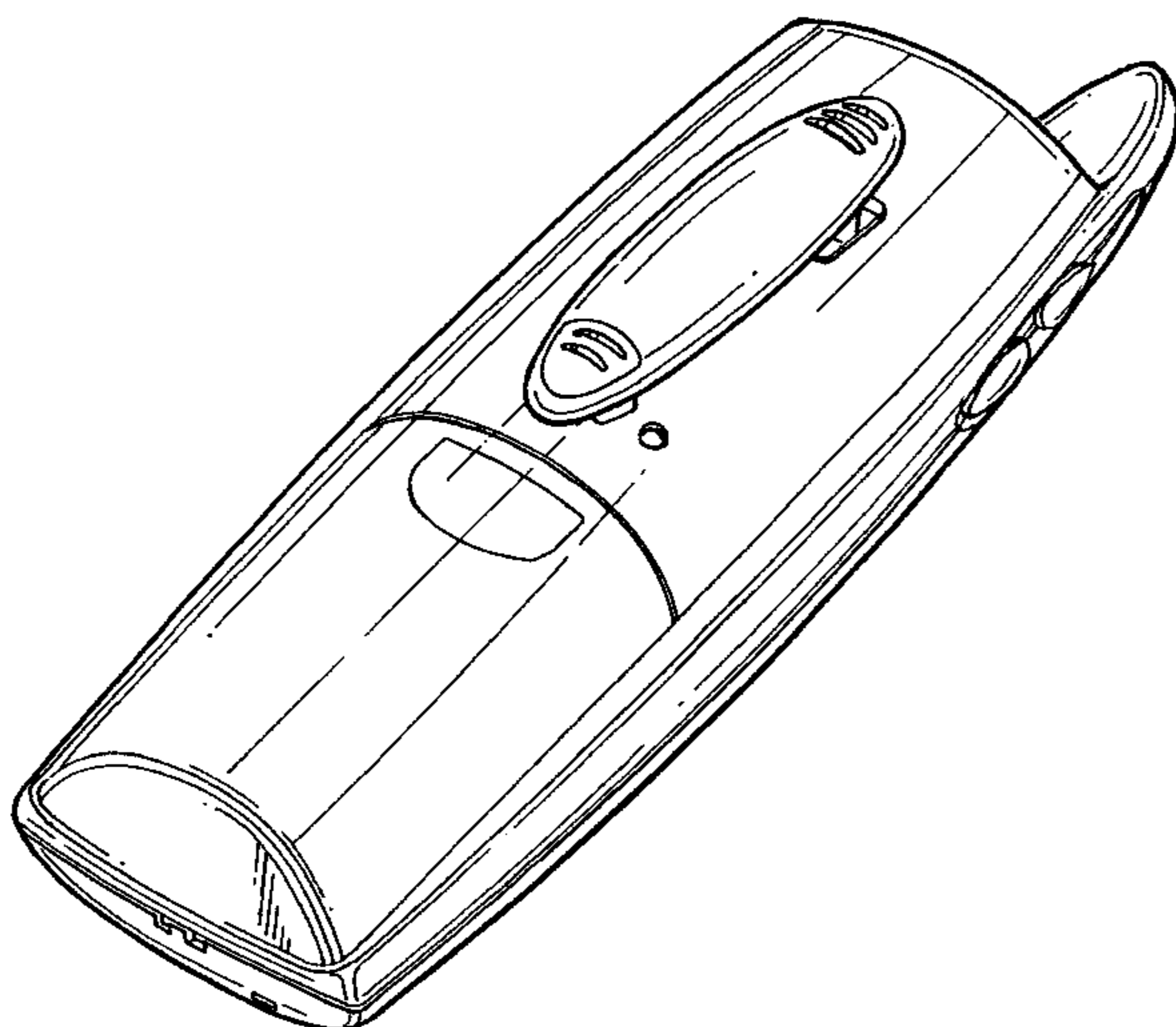
FIG. 13 is a right side elevational view thereof;

FIG. 14 is a rear elevational view thereof;

FIG. 15 is a top plan view thereof; and,

FIG. 16 is a bottom plan view thereof.

1 Claim, 4 Drawing Sheets



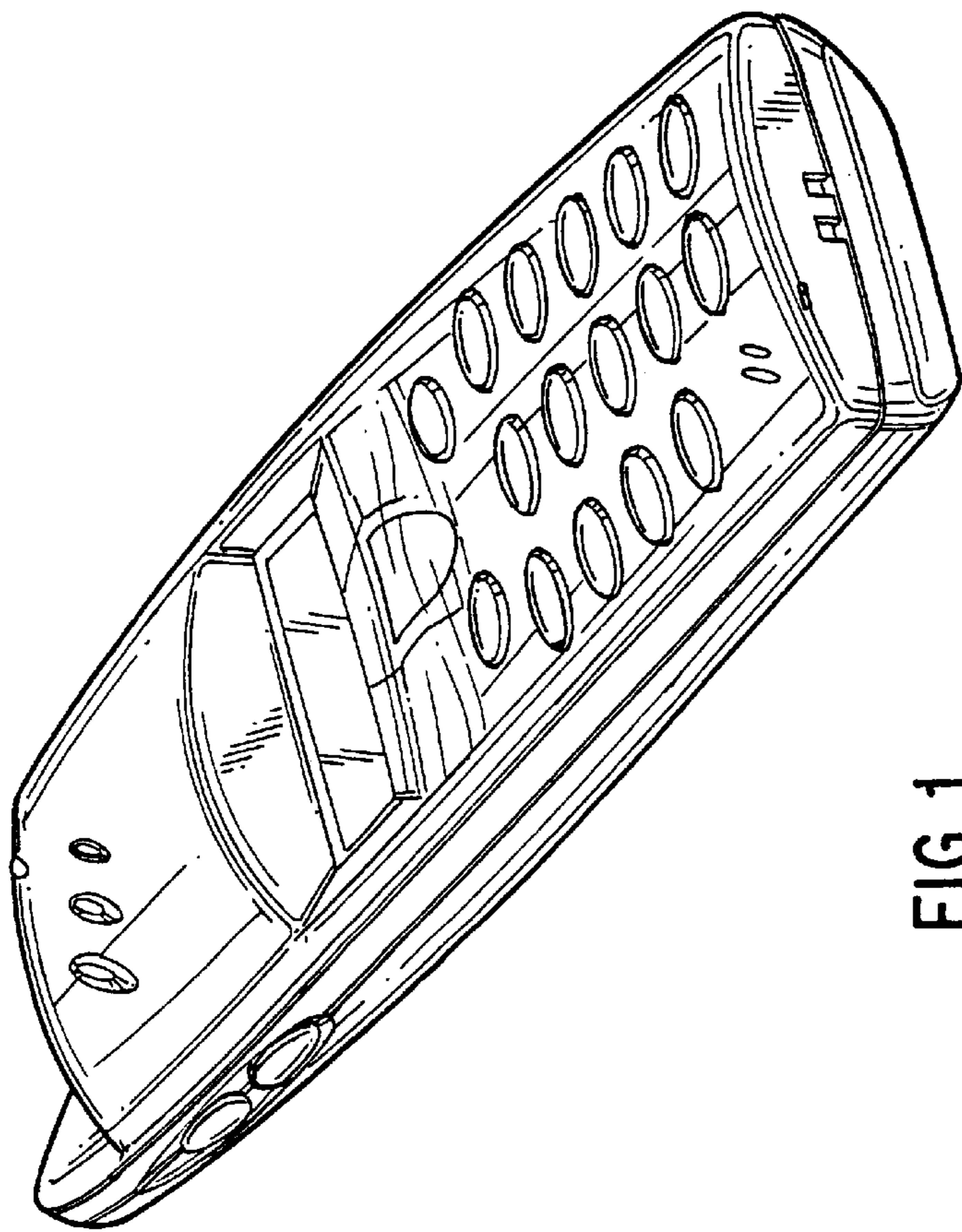


FIG. 1

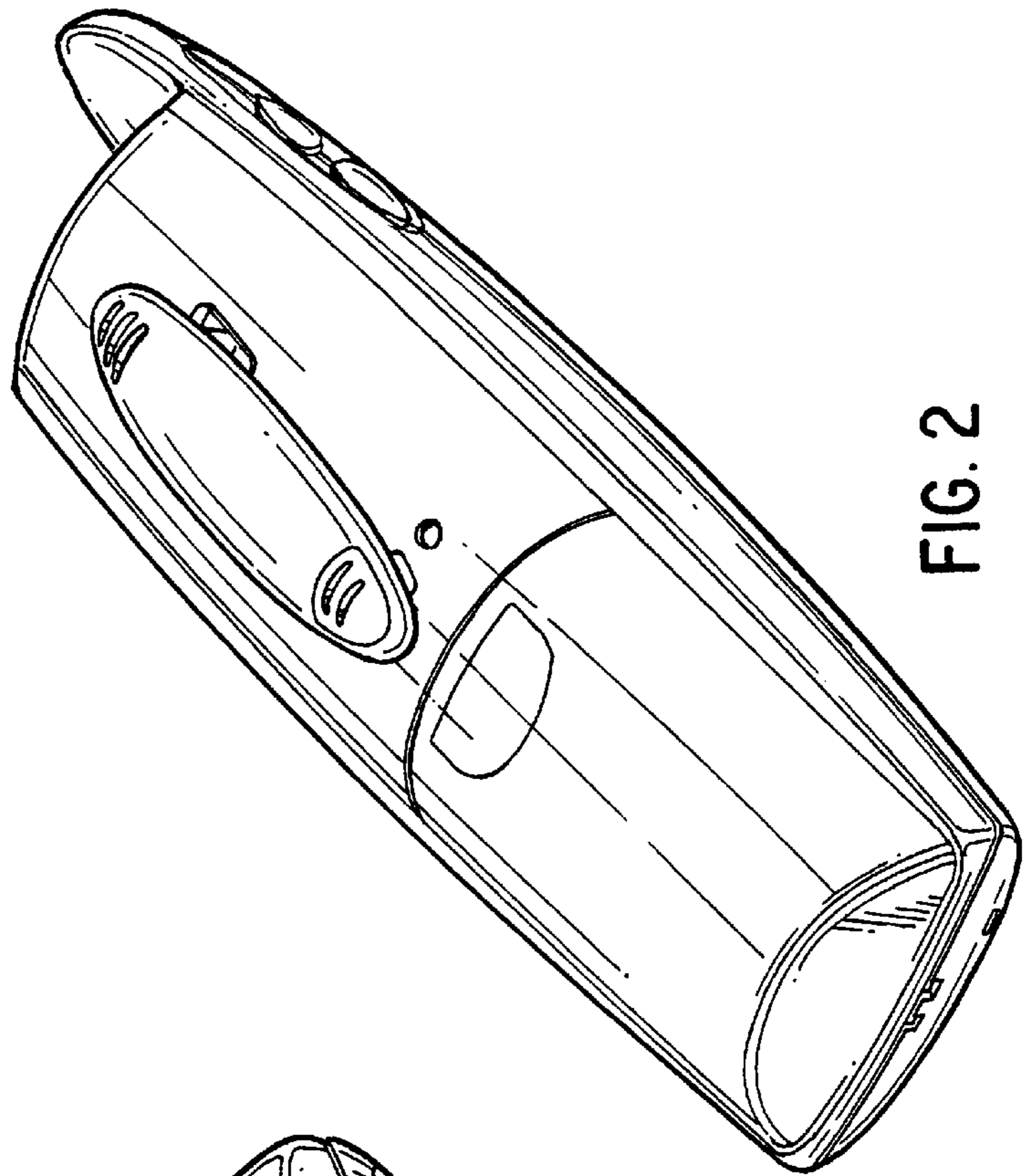


FIG. 2

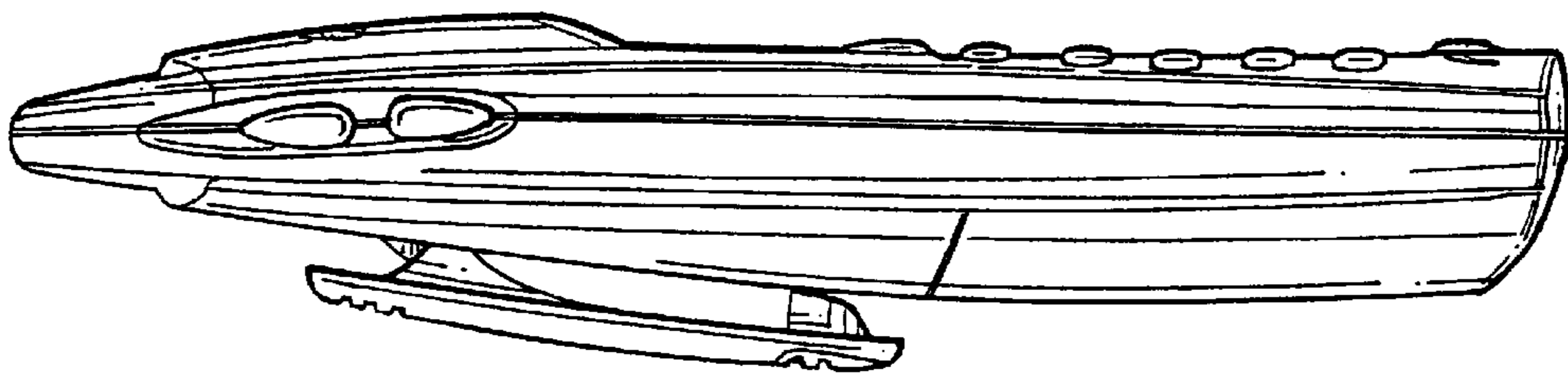


FIG. 3

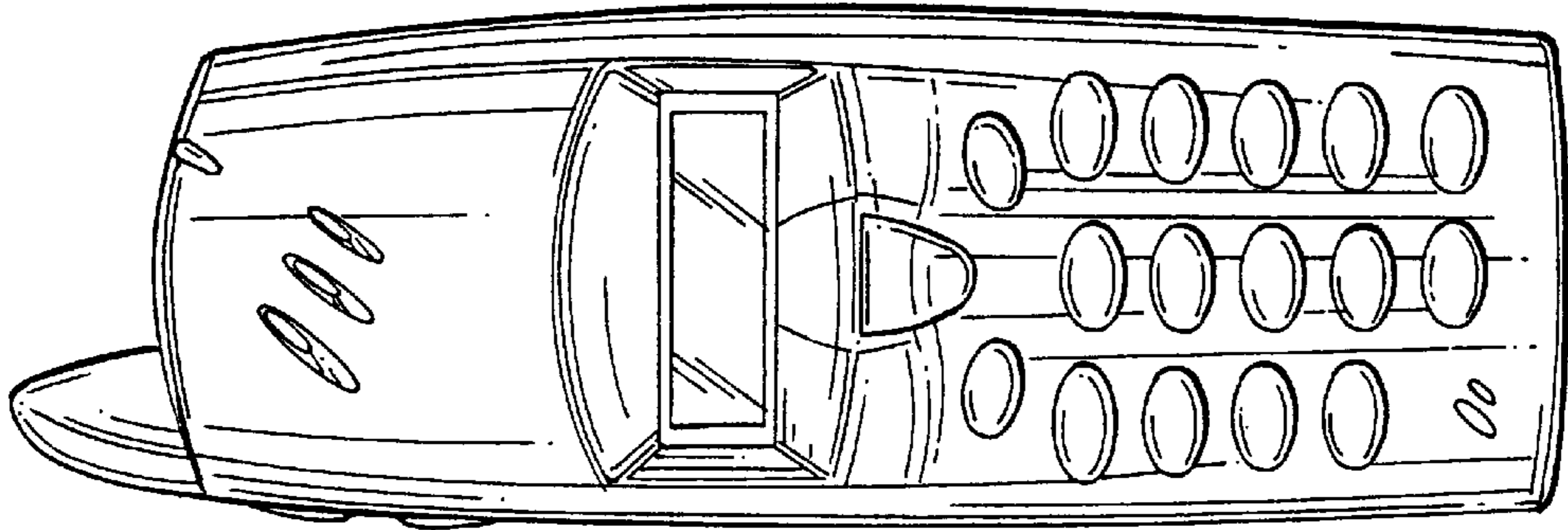


FIG. 4

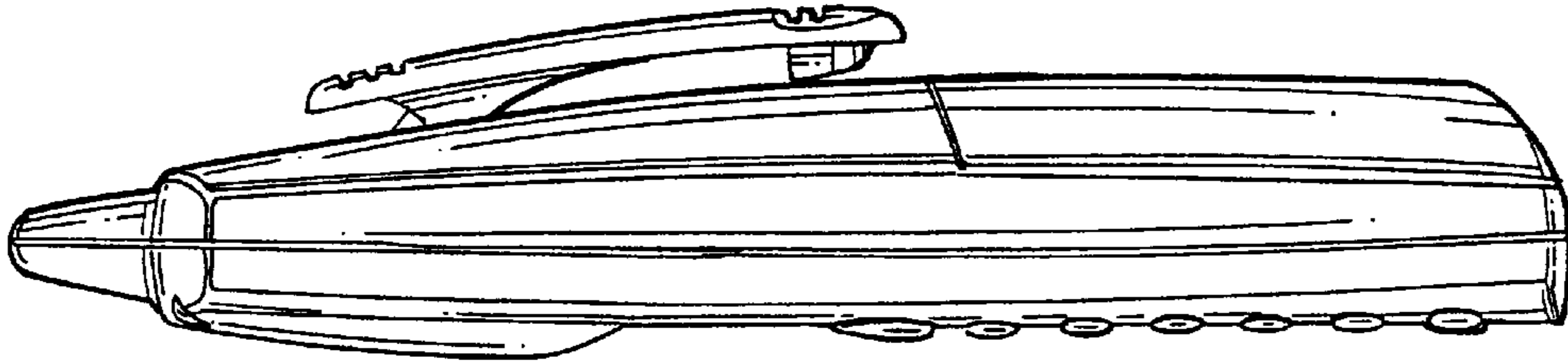


FIG. 5

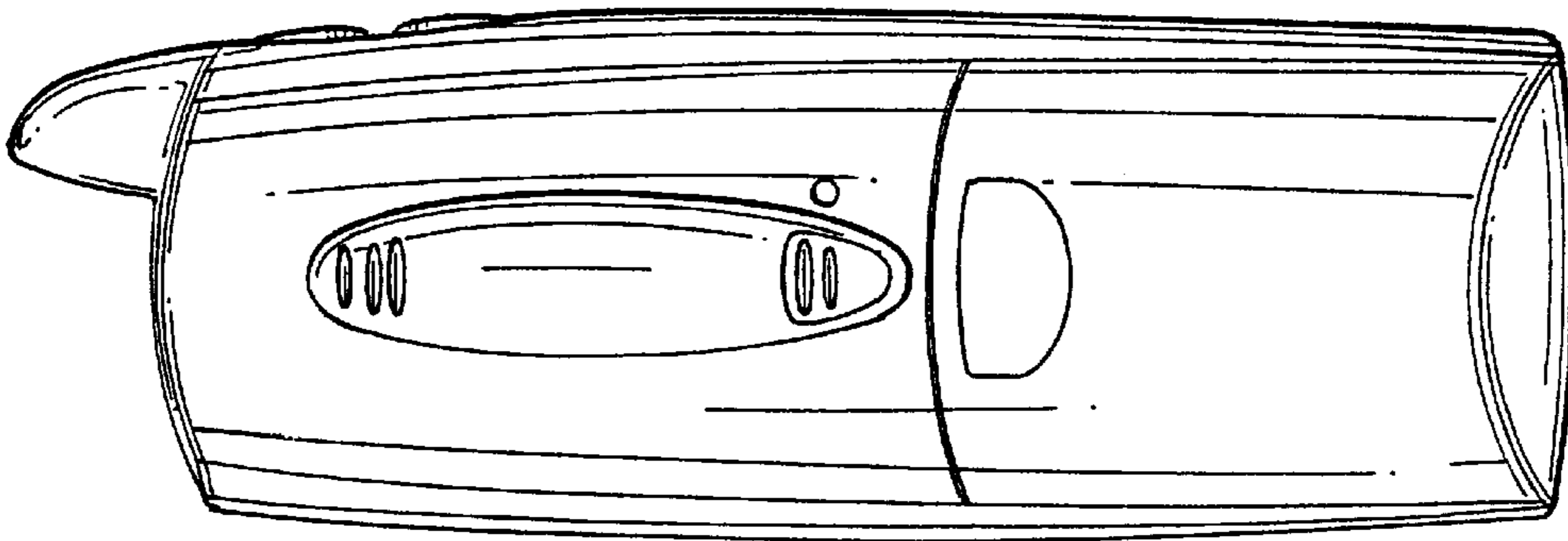


FIG. 6

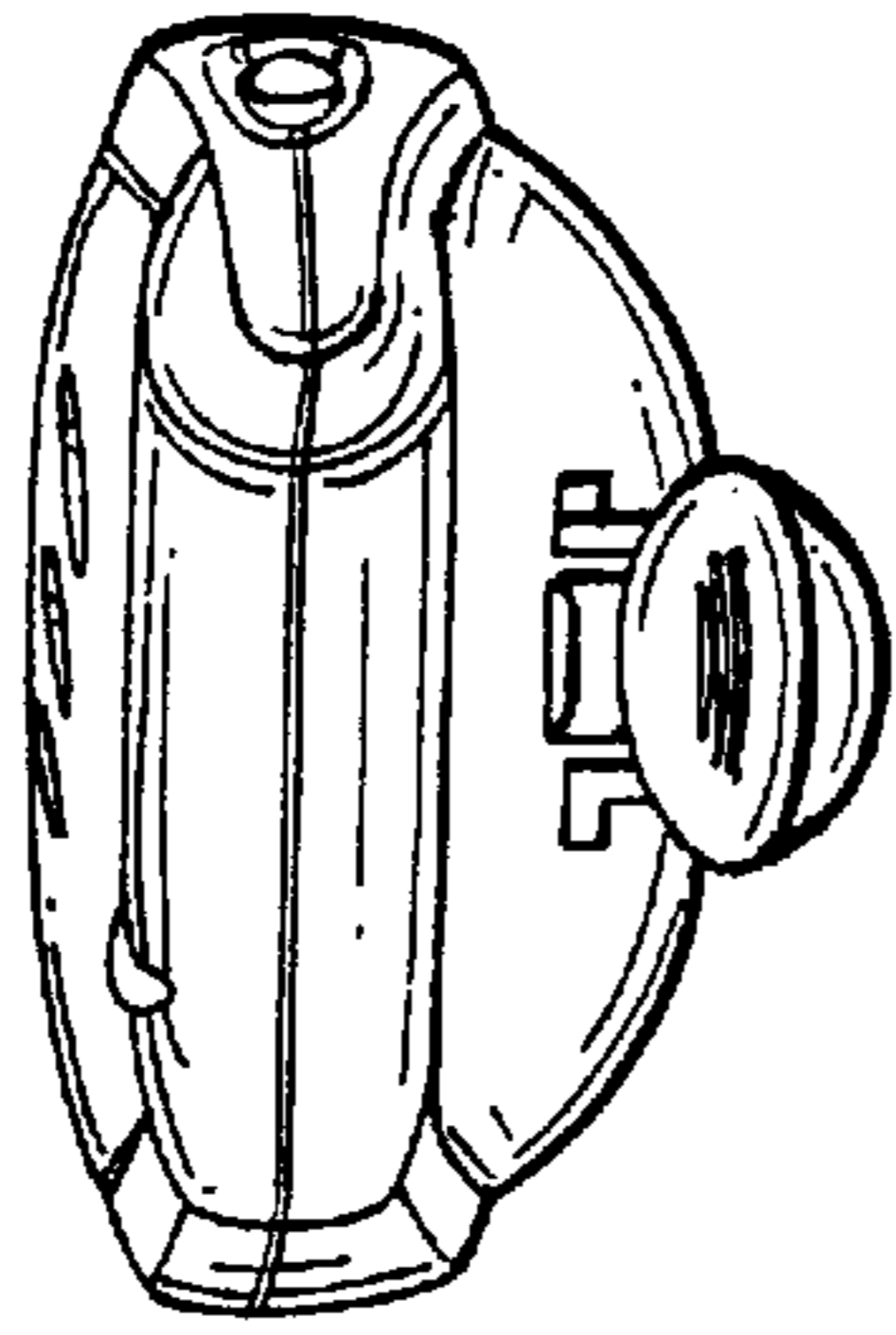


FIG. 7

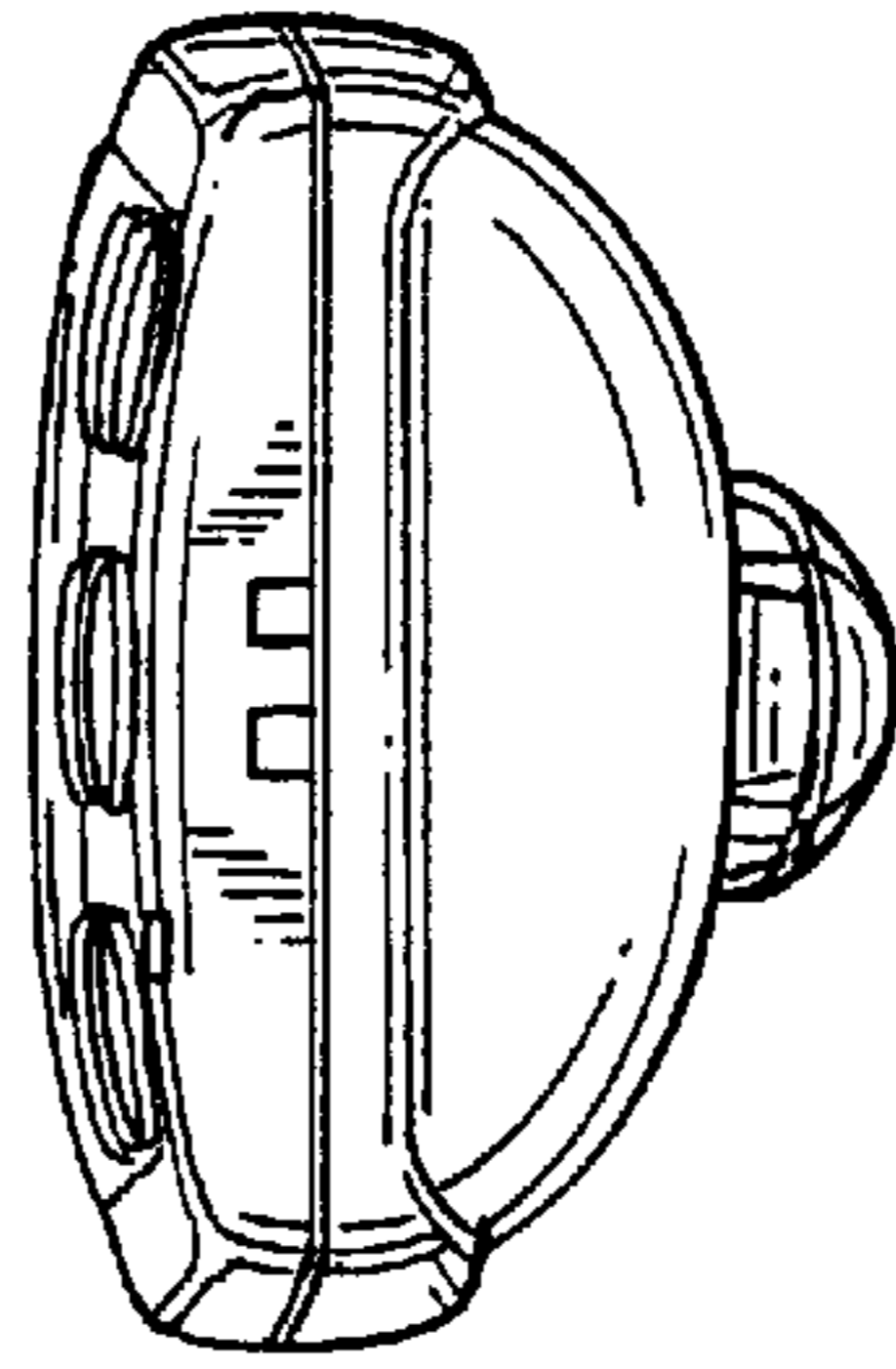


FIG. 8

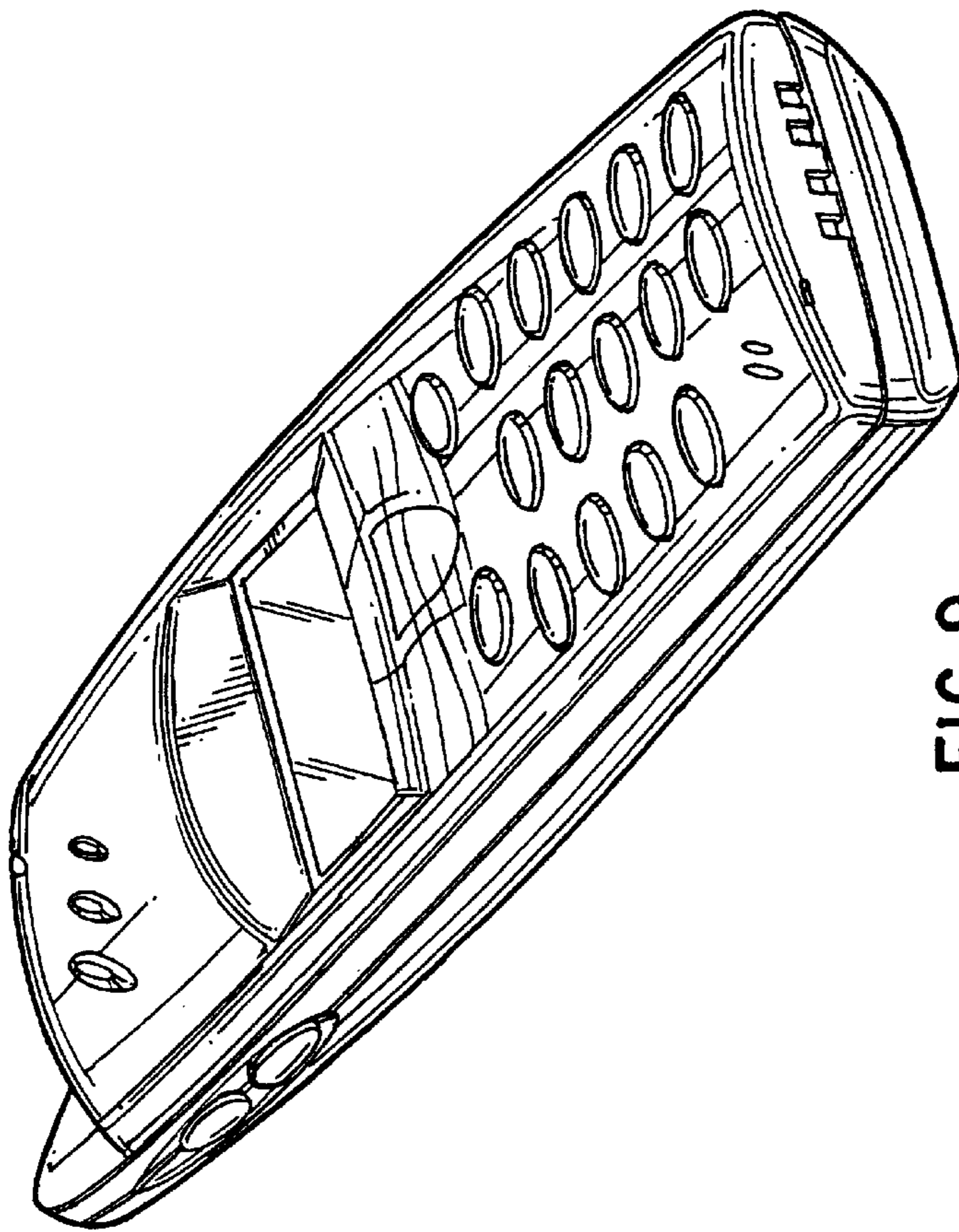


FIG. 9

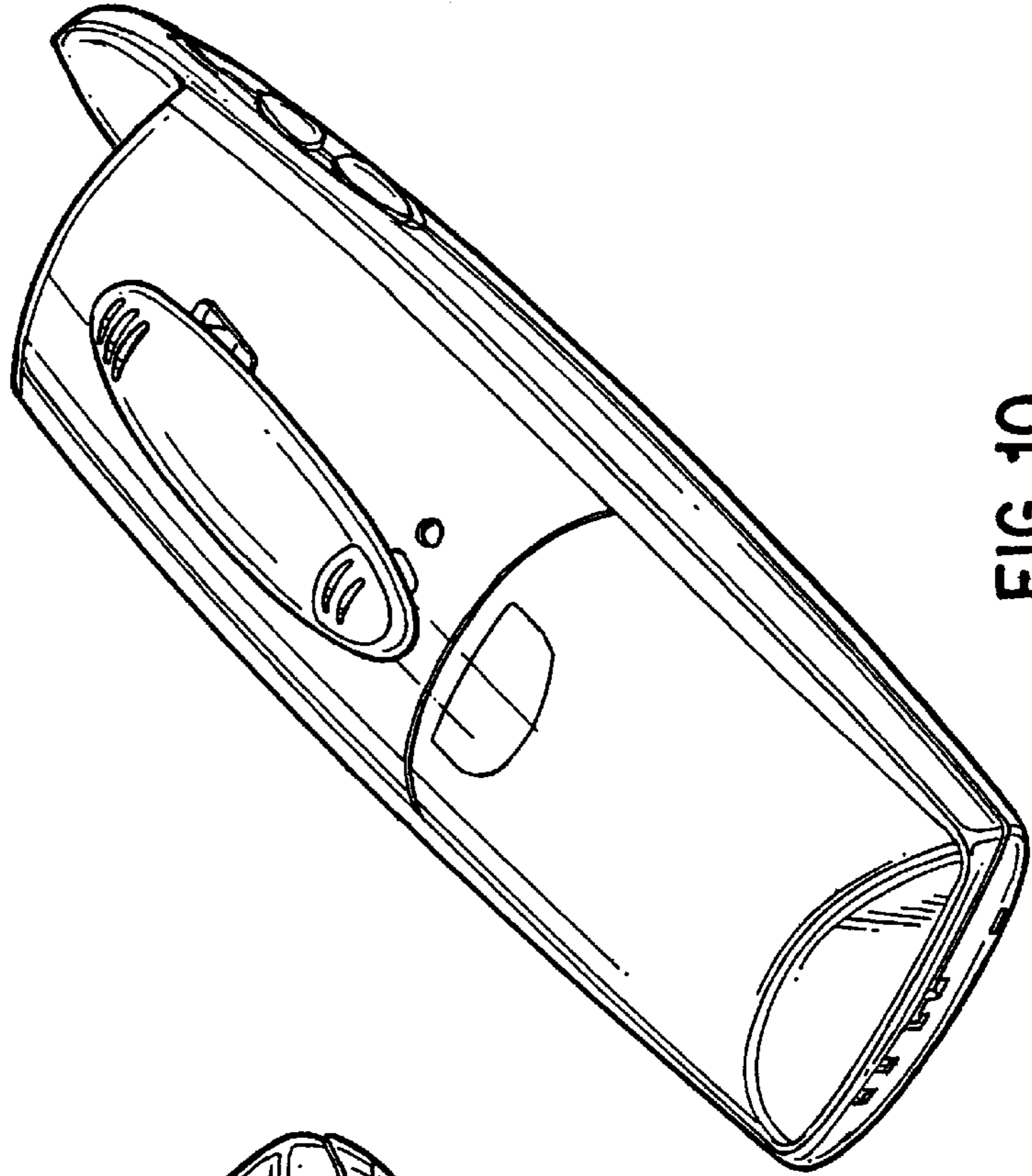


FIG. 10

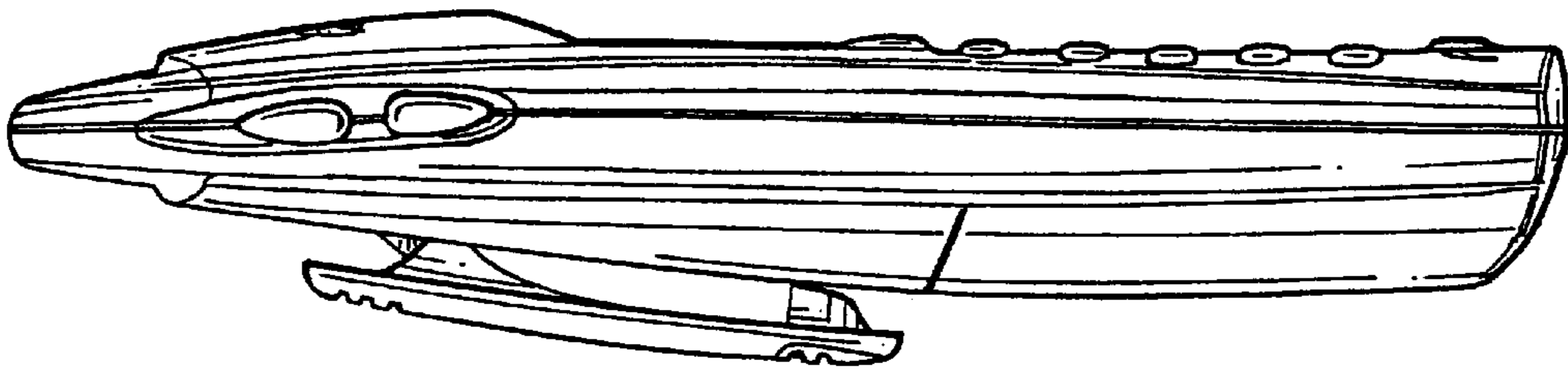


FIG. 11

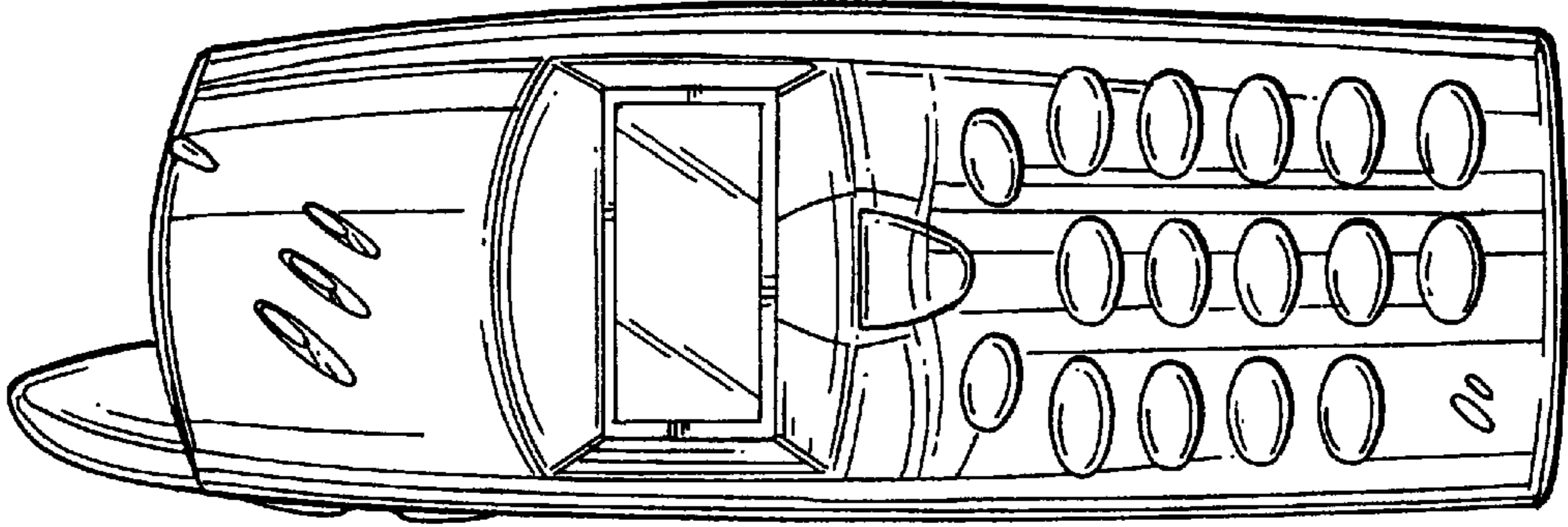


FIG. 12

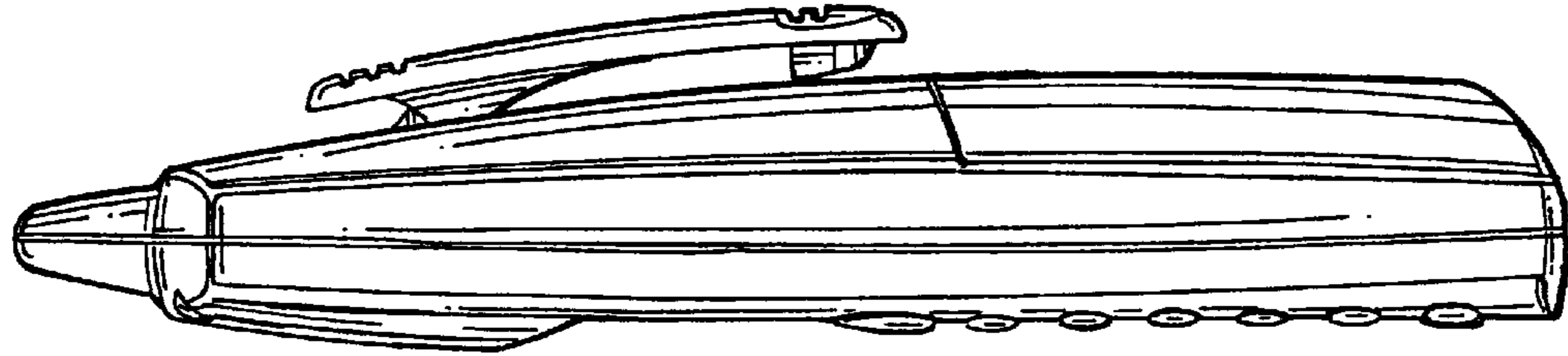


FIG. 13

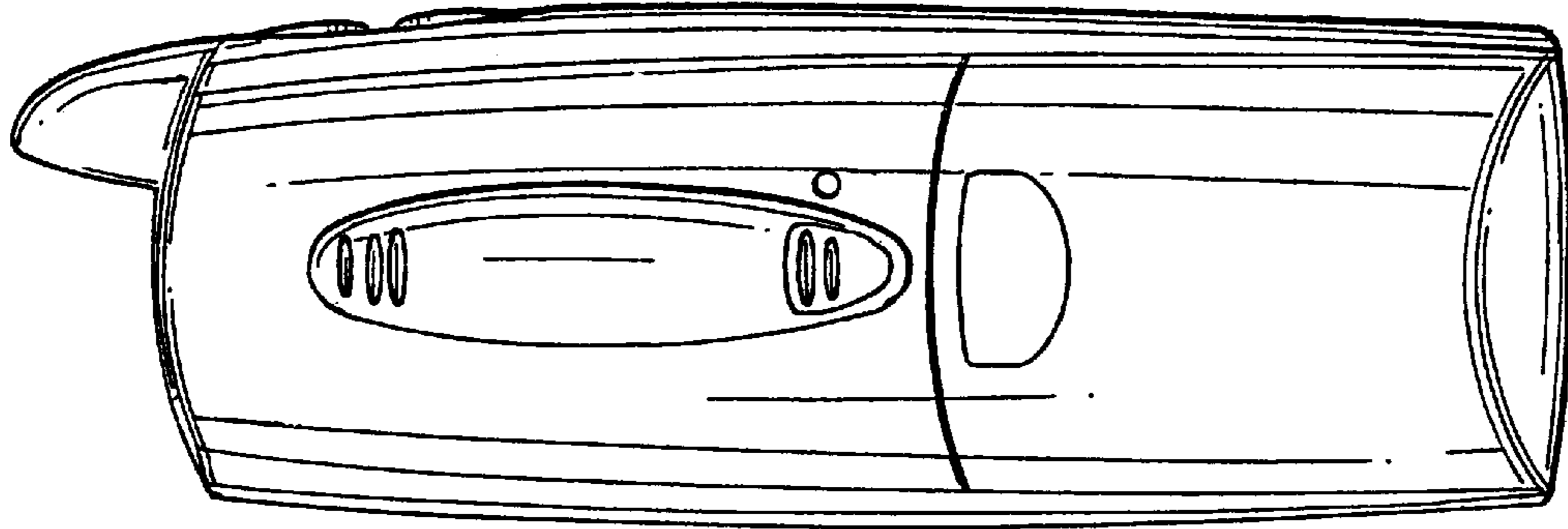


FIG. 14

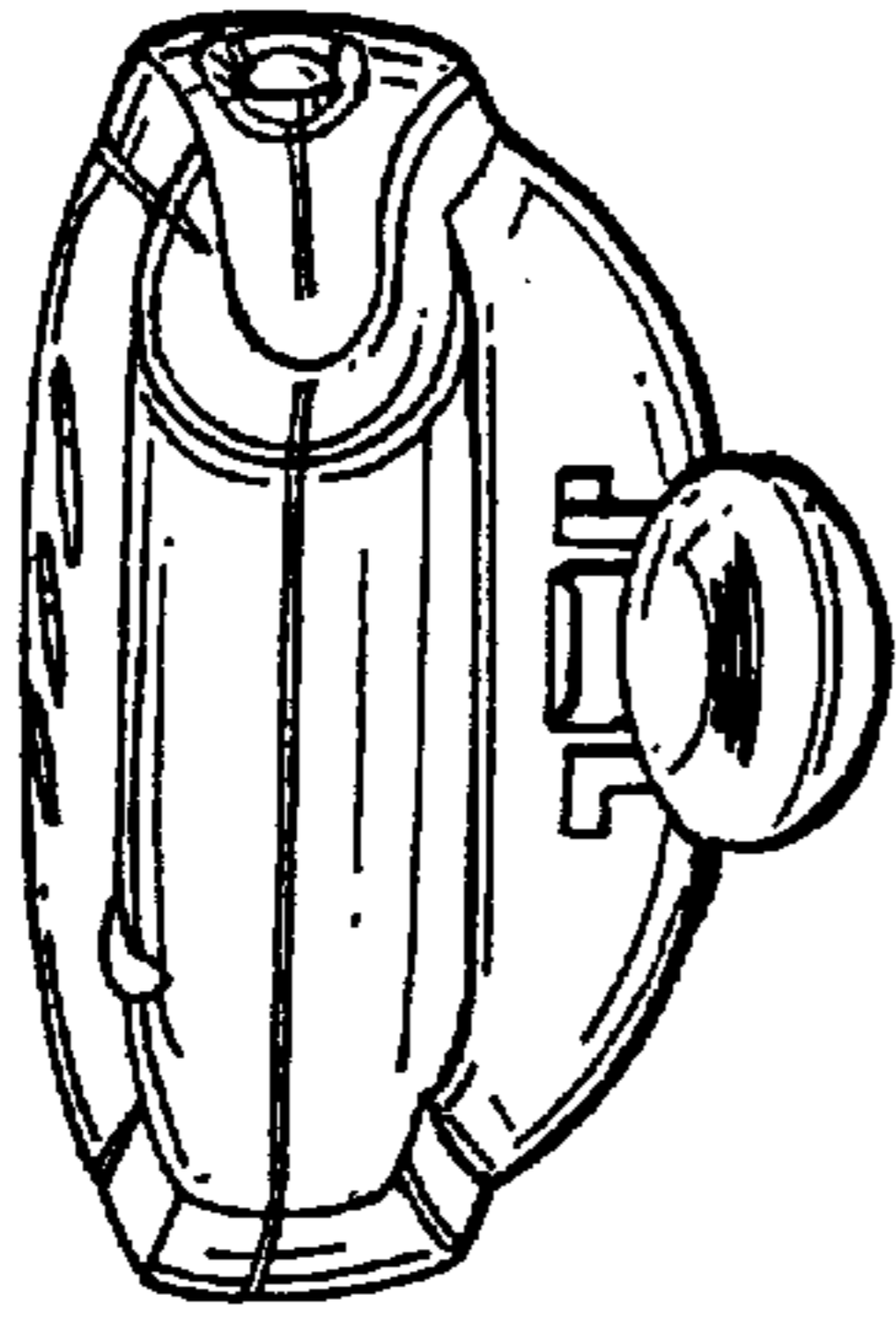


FIG. 15

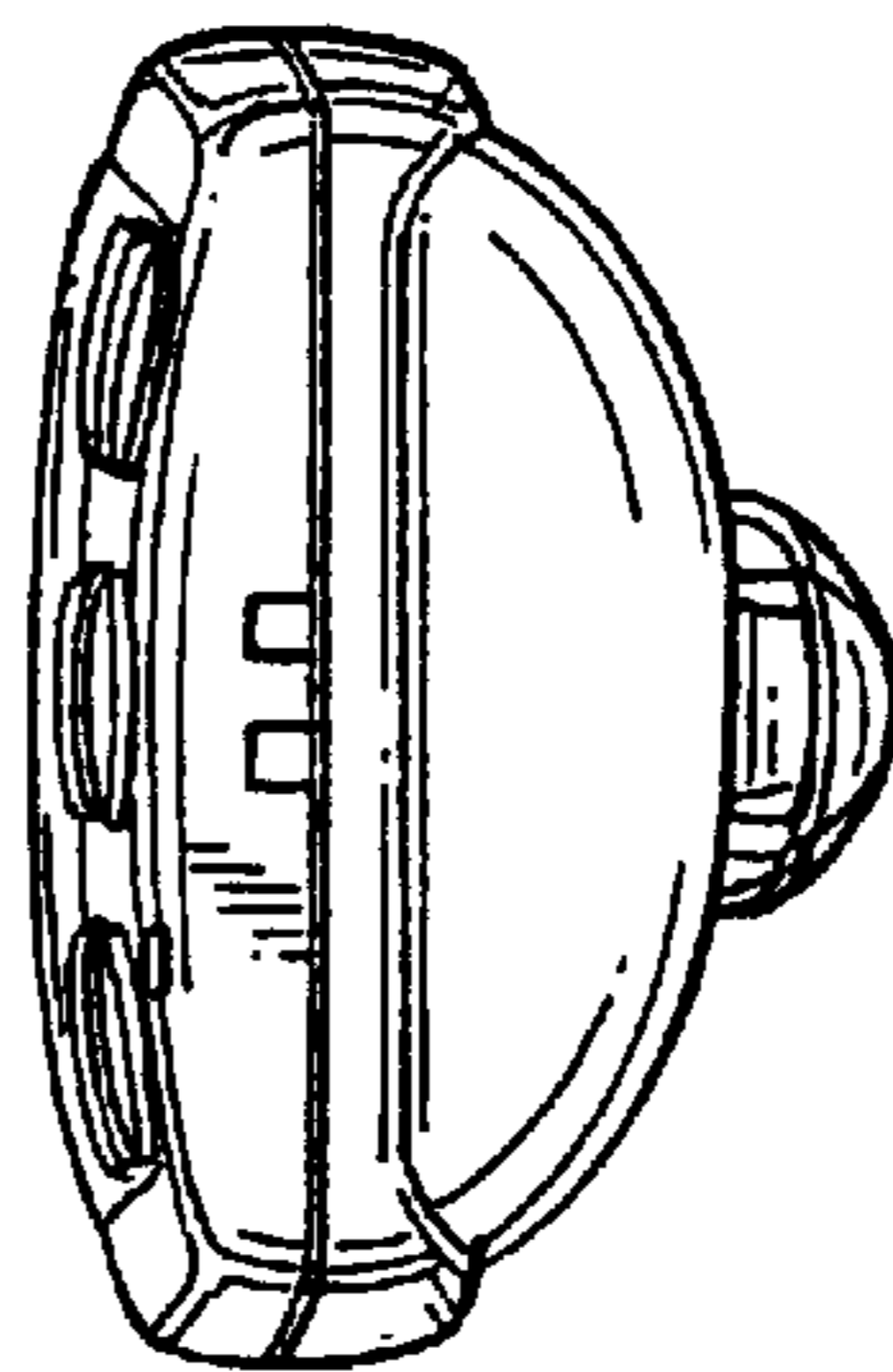


FIG. 16