



US00D422577S

United States Patent [19]

Chuo et al.

[11] Patent Number: **Des. 422,577**

[45] Date of Patent: **** Apr. 11, 2000**

[54] **COMPUTER MONITOR**

[75] Inventors: **Yu-Hsin Chuo; Chih-Peng Ma**, both of Taipei, Taiwan

[73] Assignee: **Compal Electronics, Inc.**, Taipei, Taiwan

[**] Term: **14 Years**

[21] Appl. No.: **29/101,900**

[22] Filed: **Mar. 12, 1999**

[51] **LOC (6) Cl.** **14-02**

[52] **U.S. Cl.** **D14/113; D14/126**

[58] **Field of Search** D14/100, 101, D14/113, 124-129; 345/104, 133, 156, 168, 87, 173; 348/180, 184, 325, 739; 248/917-924; 341/12; 349/1, 2, 11, 62

[56] **References Cited**

U.S. PATENT DOCUMENTS

D. 313,228 12/1990 Suyama et al. D14/113

D. 377,484 1/1997 Onuma et al. D14/113
D. 388,413 12/1997 Takemasa D14/113

Primary Examiner—Freda Nunn
Attorney, Agent, or Firm—Pillsbury Madison & Sutro LLP

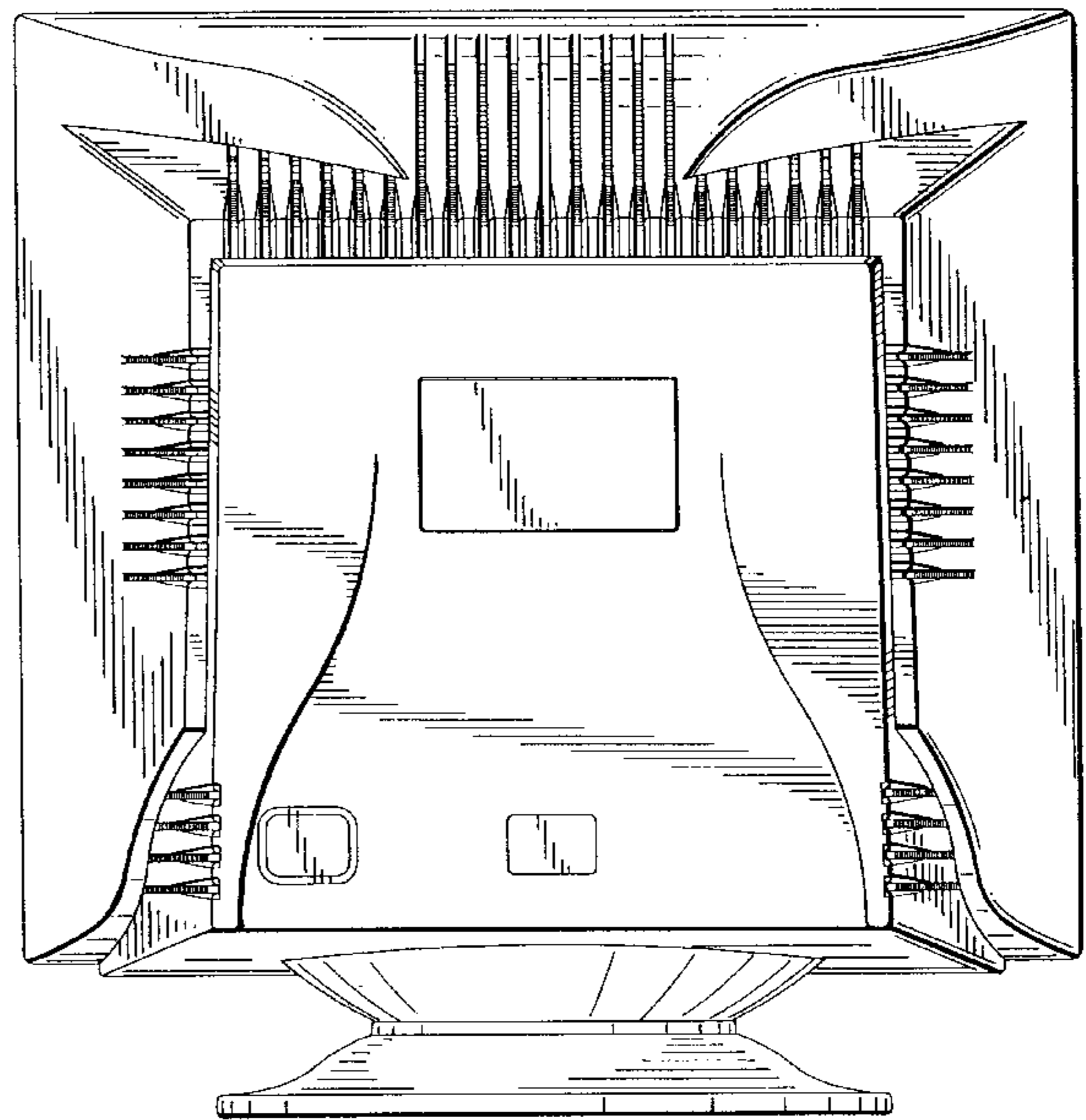
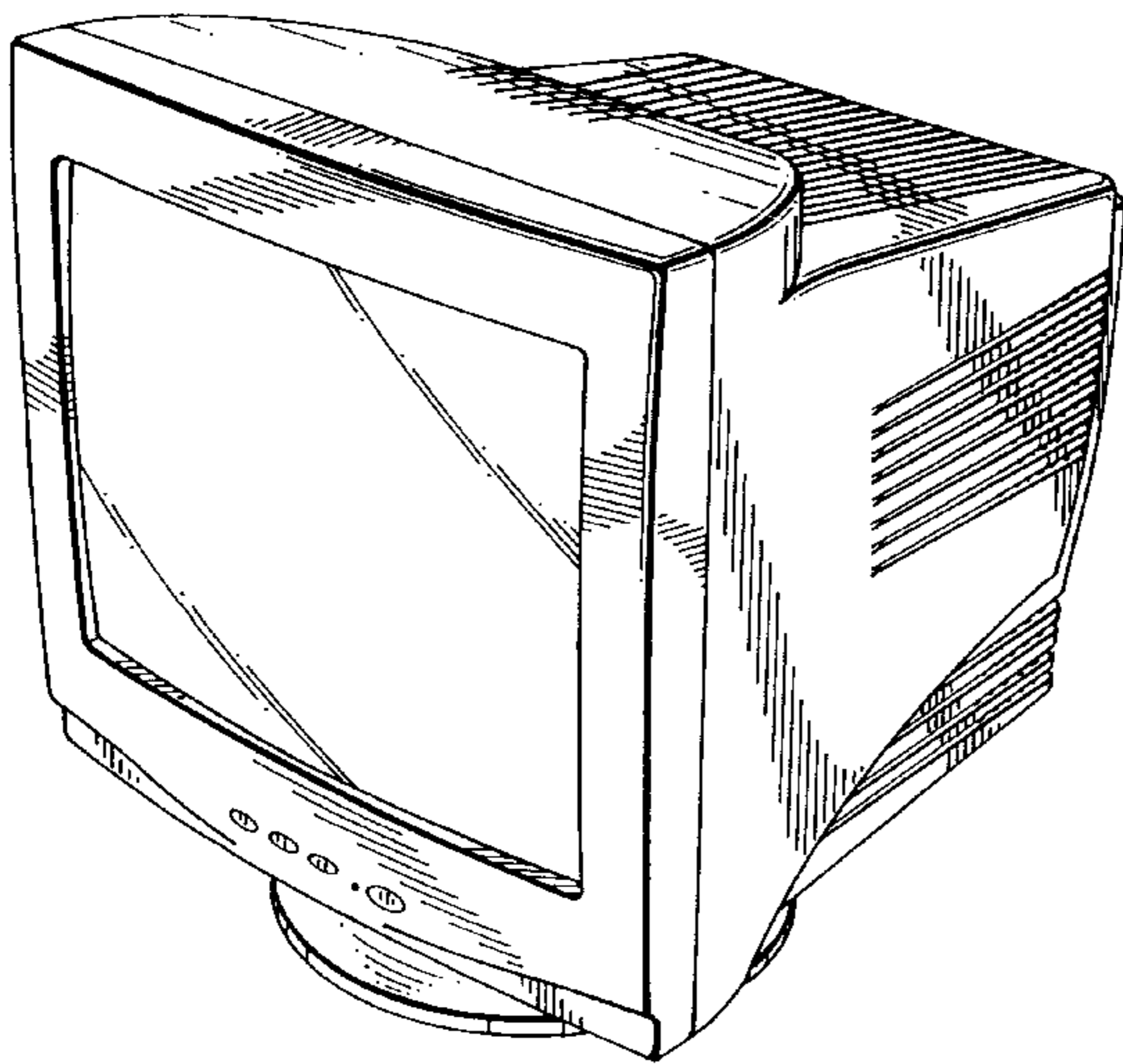
[57] **CLAIM**

The ornamental design for a computer monitor, as shown and described.

DESCRIPTION

FIG. 1 is a perspective view of a computer monitor showing my new design;
FIG. 2 is a front elevational view thereof;
FIG. 3 is a rear elevational view thereof;
FIG. 4 is a left side elevational view thereof;
FIG. 5 is a right side elevational view thereof;
FIG. 6 is a top plan view thereof; and,
FIG. 7 is a bottom plan view thereof.

1 Claim, 7 Drawing Sheets



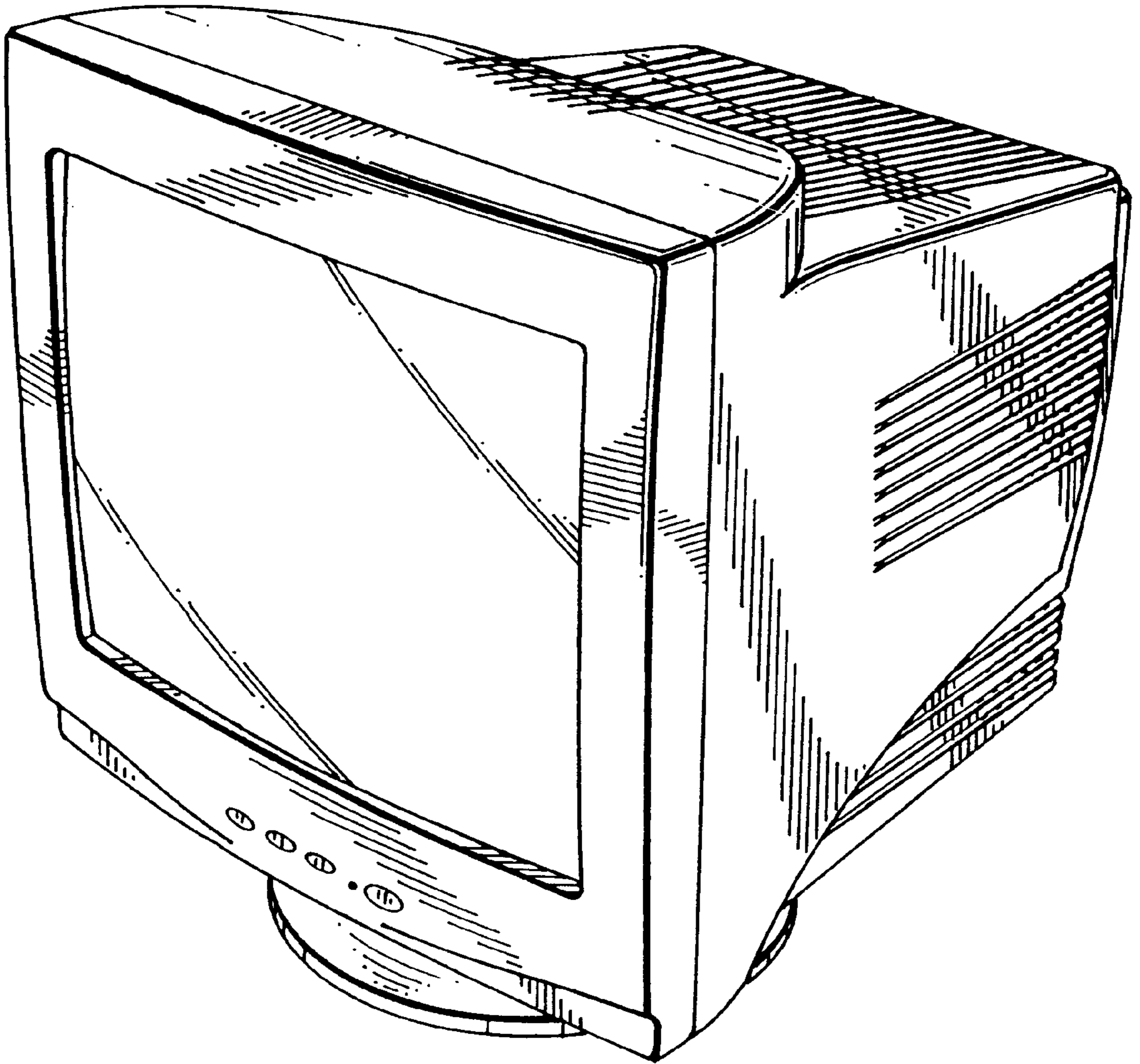


FIG. 1

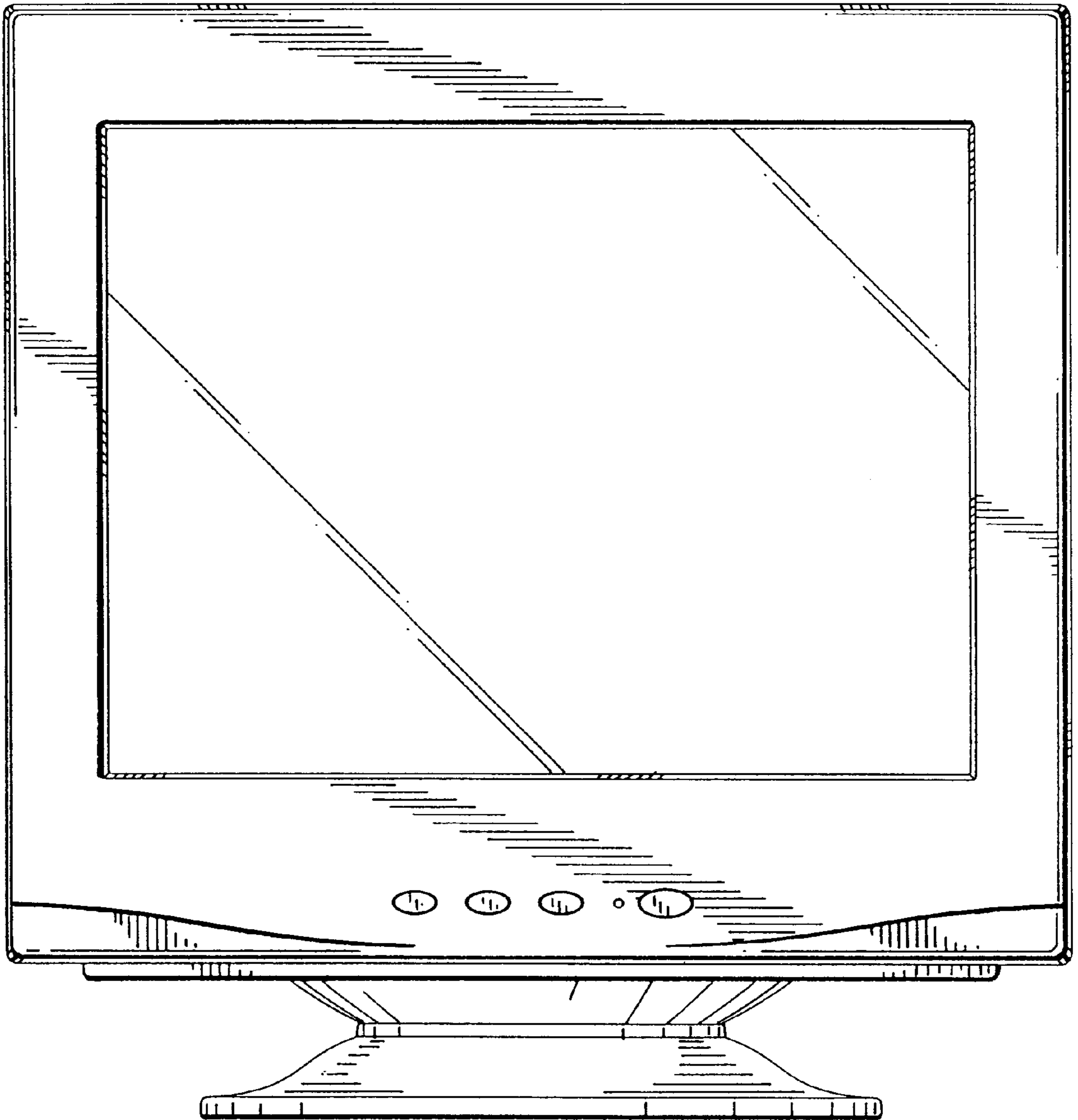


FIG. 2

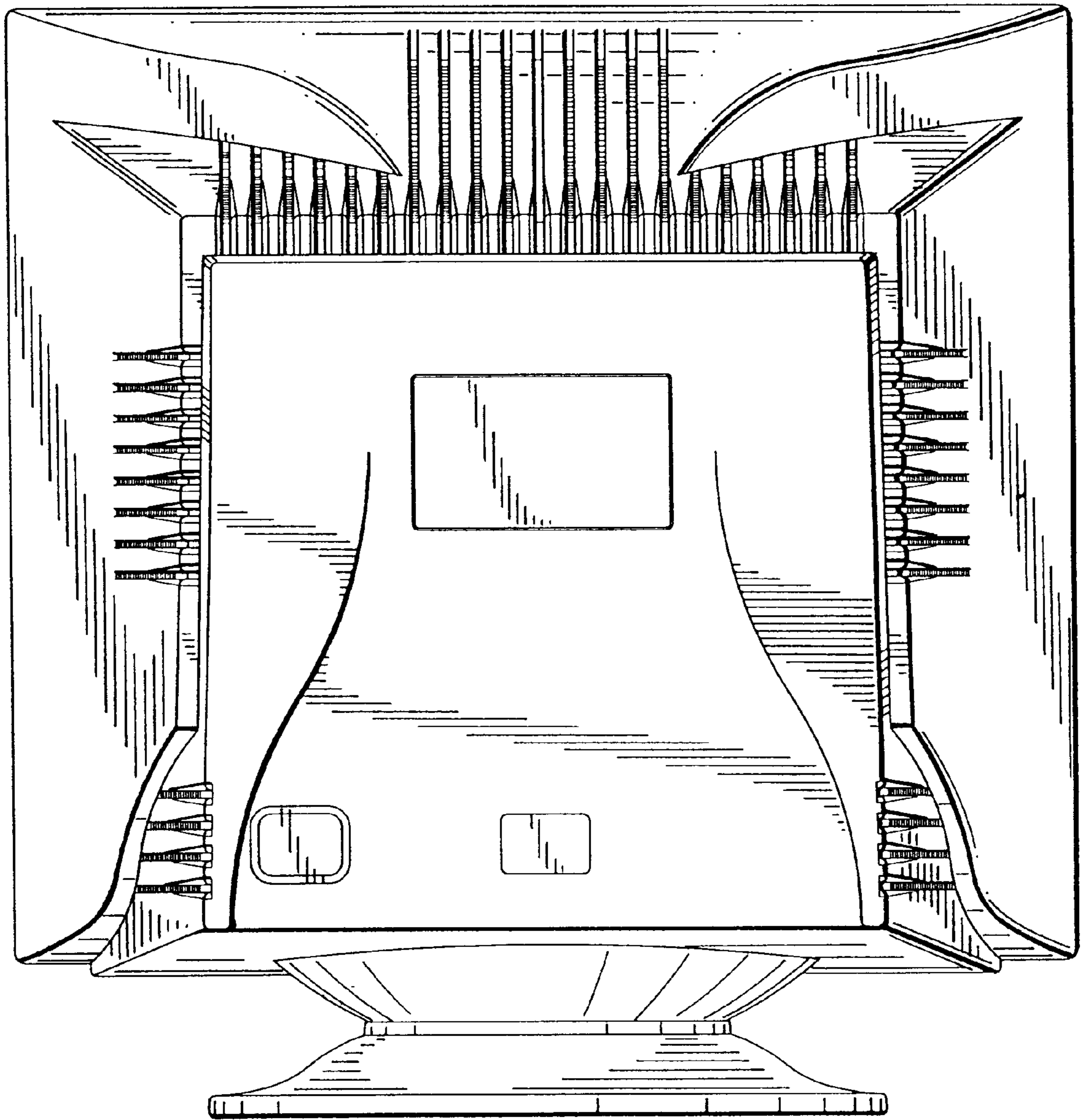


FIG. 3

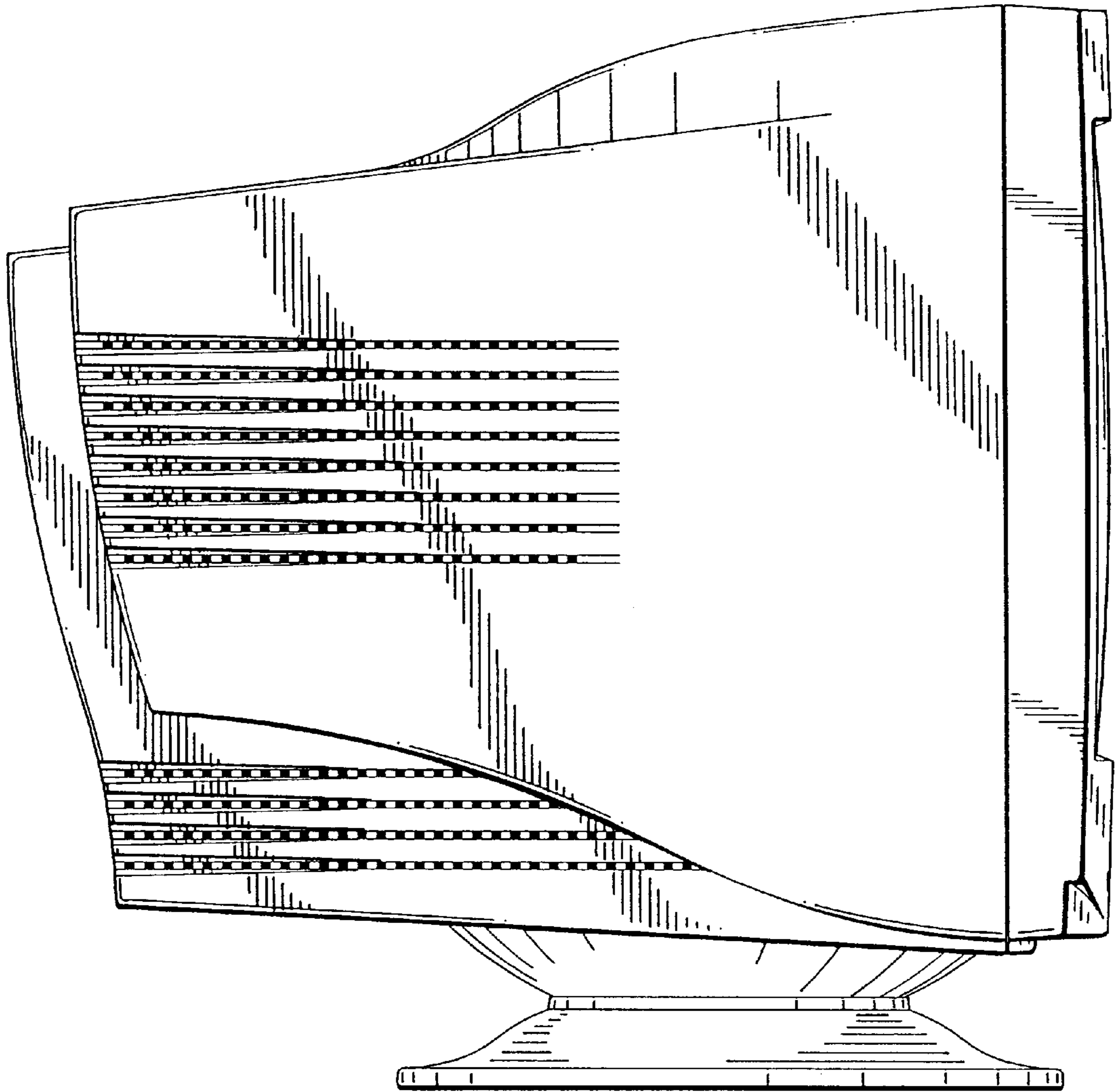


FIG. 4

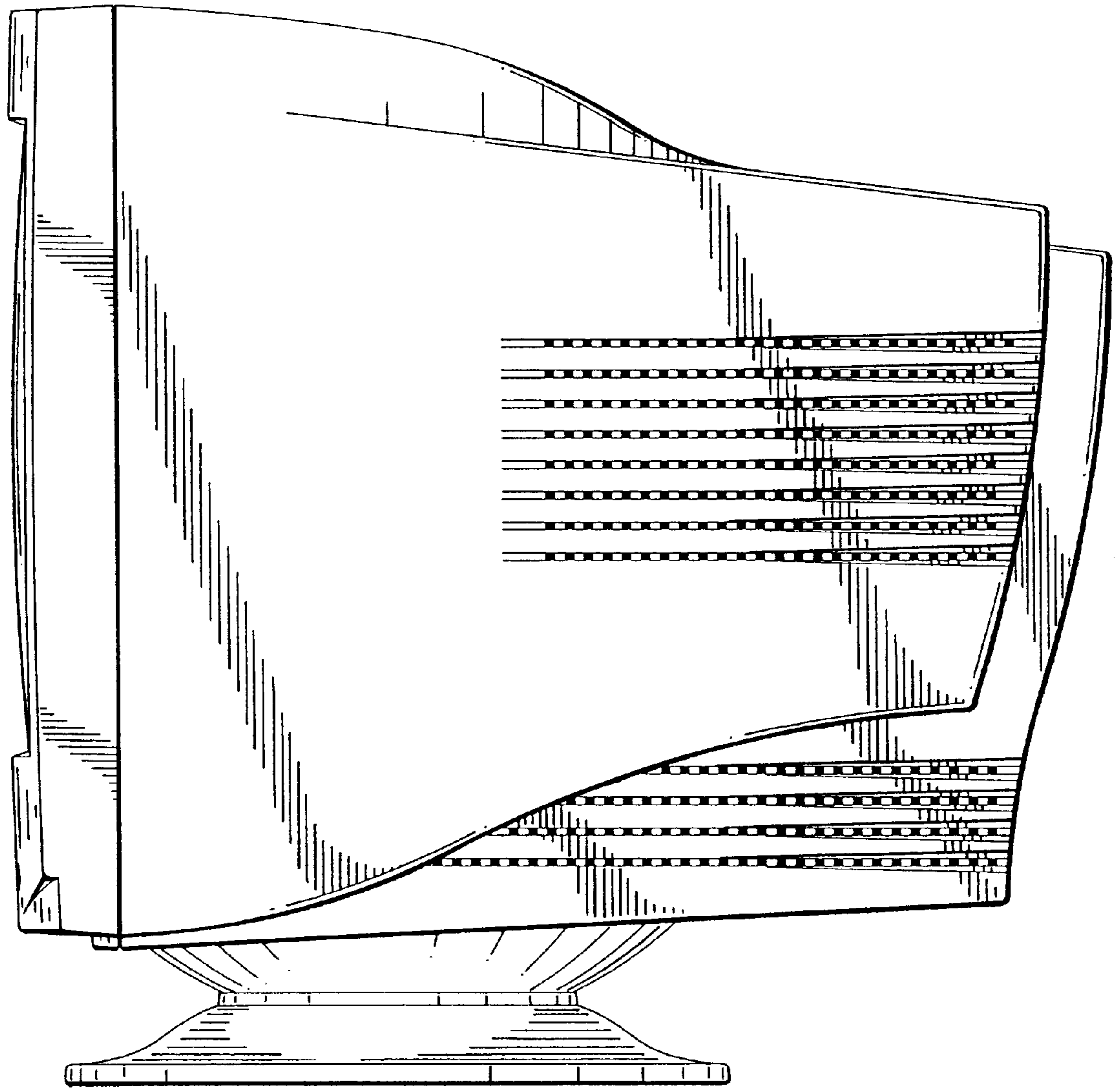


FIG. 5

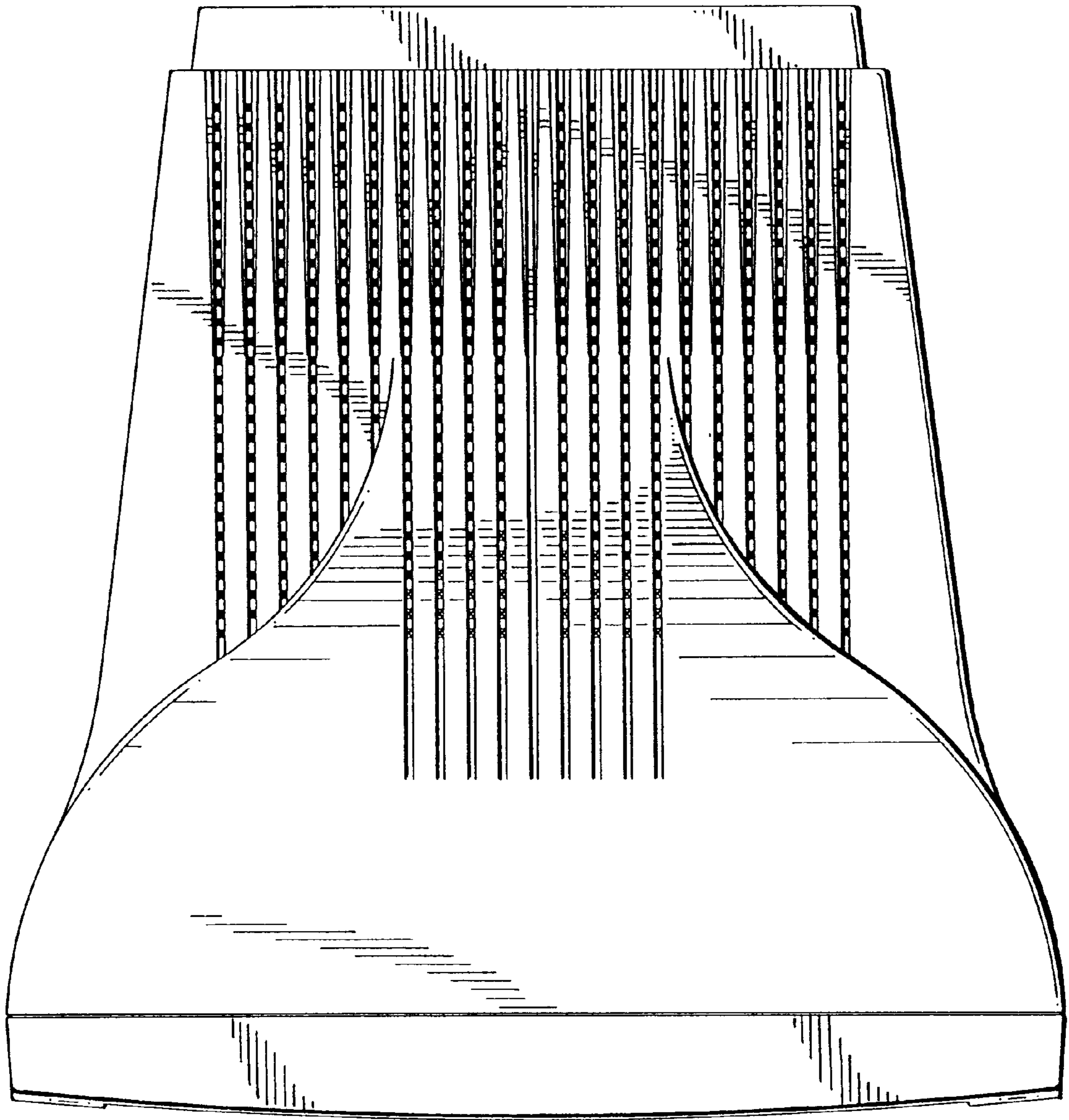


FIG. 6

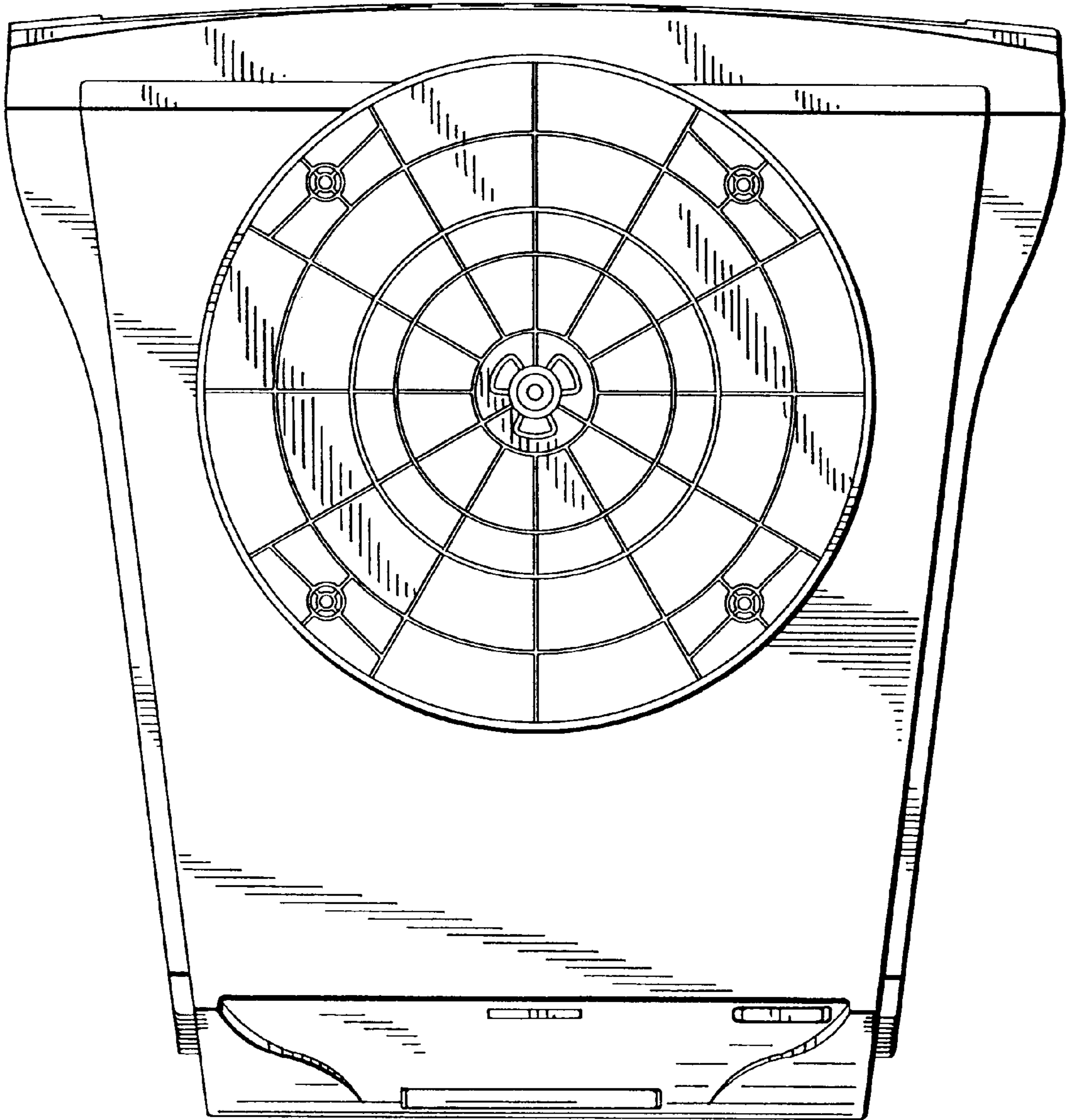


FIG. 7