



US00D422571S

United States Patent [19]
Sakata et al.

[11] **Patent Number: Des. 422,571**
[45] **Date of Patent: ** Apr. 11, 2000**

[54] **IMAGE INPUT DEVICE**

[75] Inventors: **Osamu Sakata**, Yokohama; **Kazuaki Sakuta**, Kawasaki; **Airi Itakura**, Yokohama, all of Japan

[73] Assignee: **Canon Kabushiki Kaisha**, Tokyo, Japan

[**] Term: **14 Years**

[21] Appl. No.: **29/102,687**

[22] Filed: **Mar. 30, 1999**

[30] **Foreign Application Priority Data**

Feb. 8, 1999 [JP] Japan 11-002793

[51] **LOC (6) Cl.** **14-02**

[52] **U.S. Cl.** **D14/107; D16/208; D16/232**

[58] **Field of Search** D14/100, 107; D16/208, 214, 221, 225, 232; D18/36, 37, 39; 250/556; 355/64, 65, 75, 81

[56] **References Cited**

U.S. PATENT DOCUMENTS

D. 323,819 2/1992 Imura D14/107

D. 327,672 7/1992 Imura D14/107
D. 358,377 5/1995 Hasegawa D14/107
D. 376,139 12/1996 Hasegawa D14/107
D. 387,038 12/1997 Sakuta et al. D14/107

Primary Examiner—Freda Nunn
Attorney, Agent, or Firm—Fitzpatrick, Cella, Harper & Scinto

[57] **CLAIM**

The ornamental design for an image input device, as shown and described.

DESCRIPTION

FIG. 1 is a front view of an image input device showing our new design;

FIG. 2 is a rear view thereof;

FIG. 3 is a top plan view thereof;

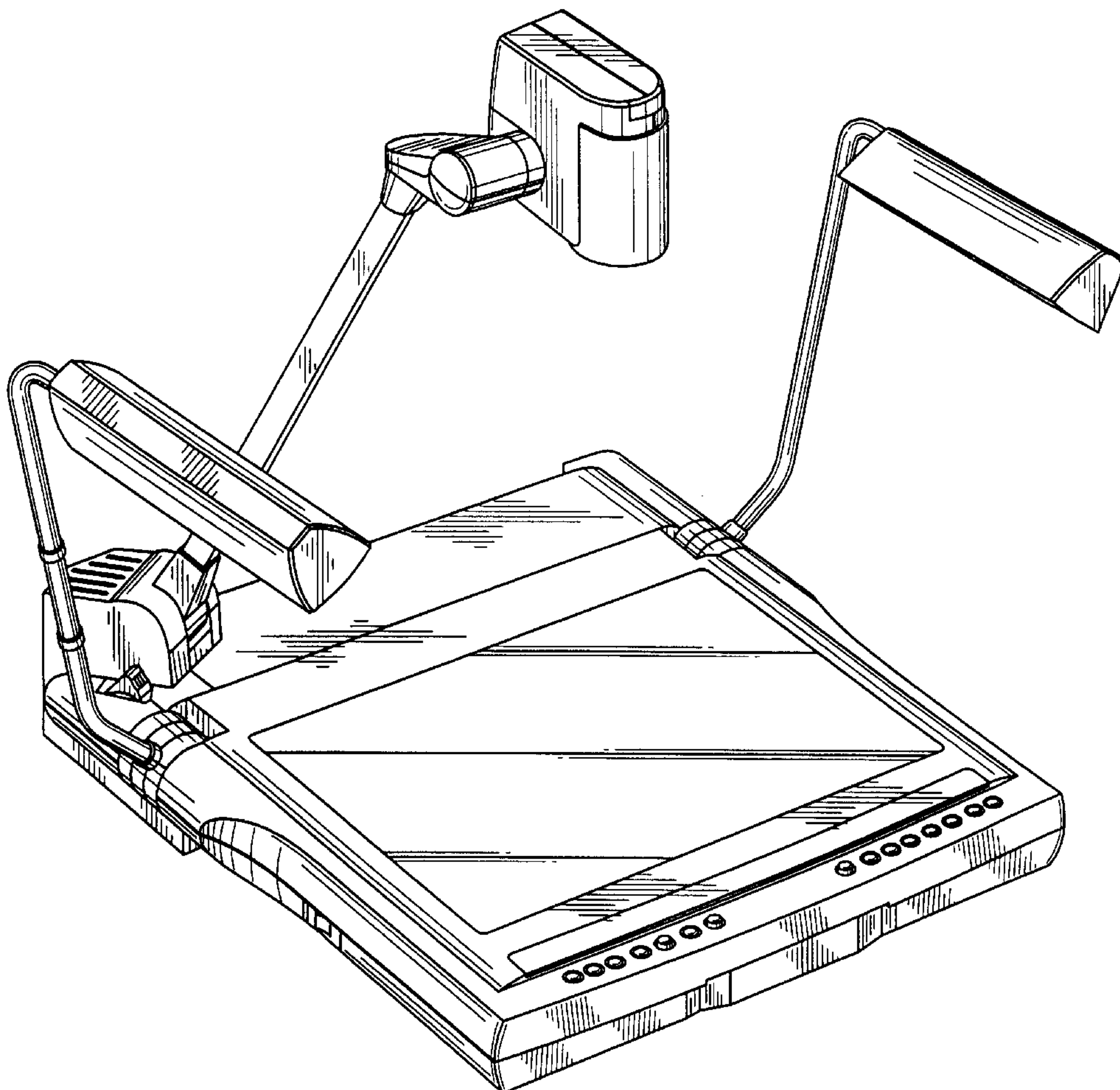
FIG. 4 is a bottom plan view thereof;

FIG. 5 is a left side view thereof;

FIG. 6 is a right side view thereof; and,

FIG. 7 is a perspective view thereof.

1 Claim, 7 Drawing Sheets



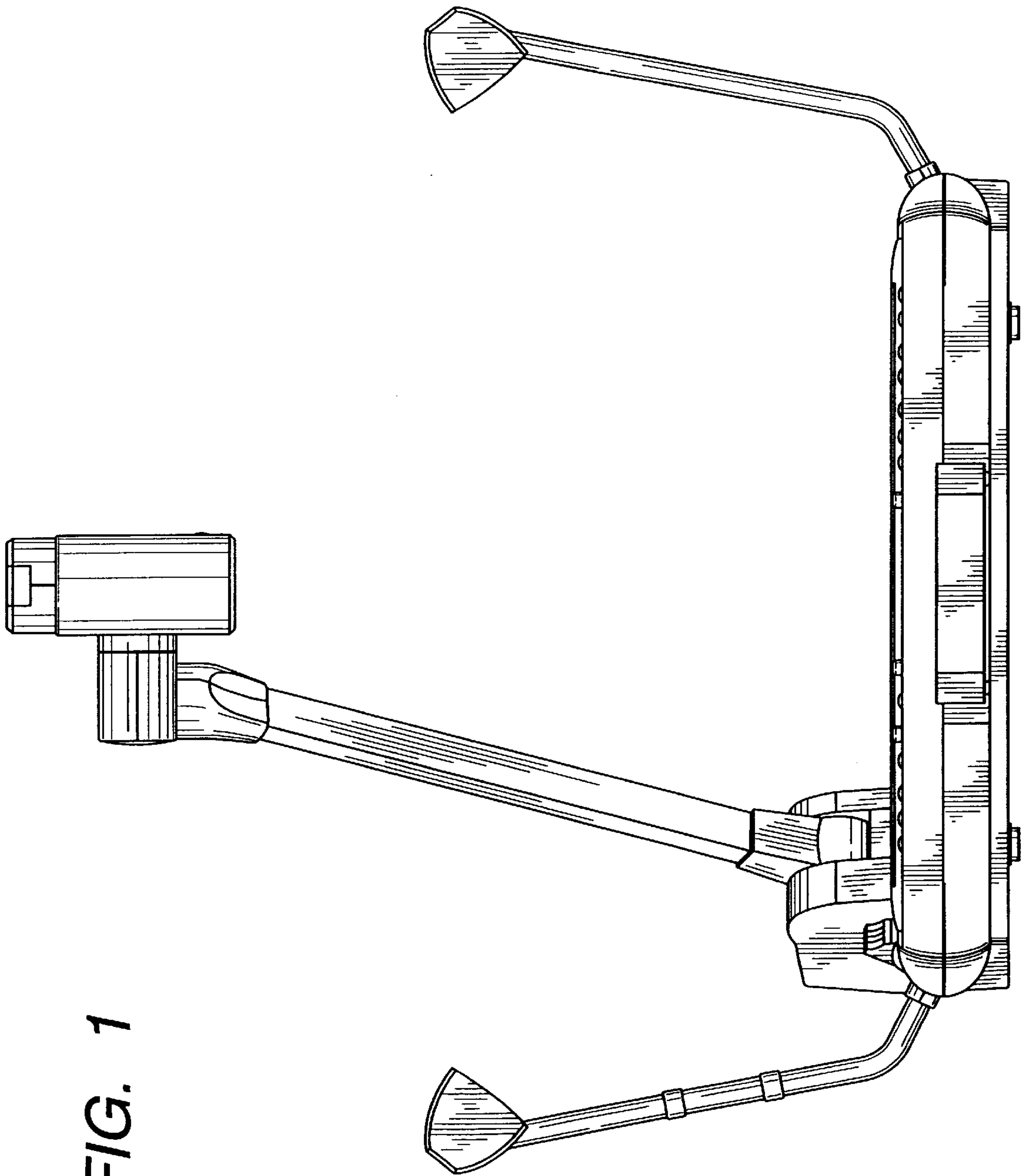


FIG. 1

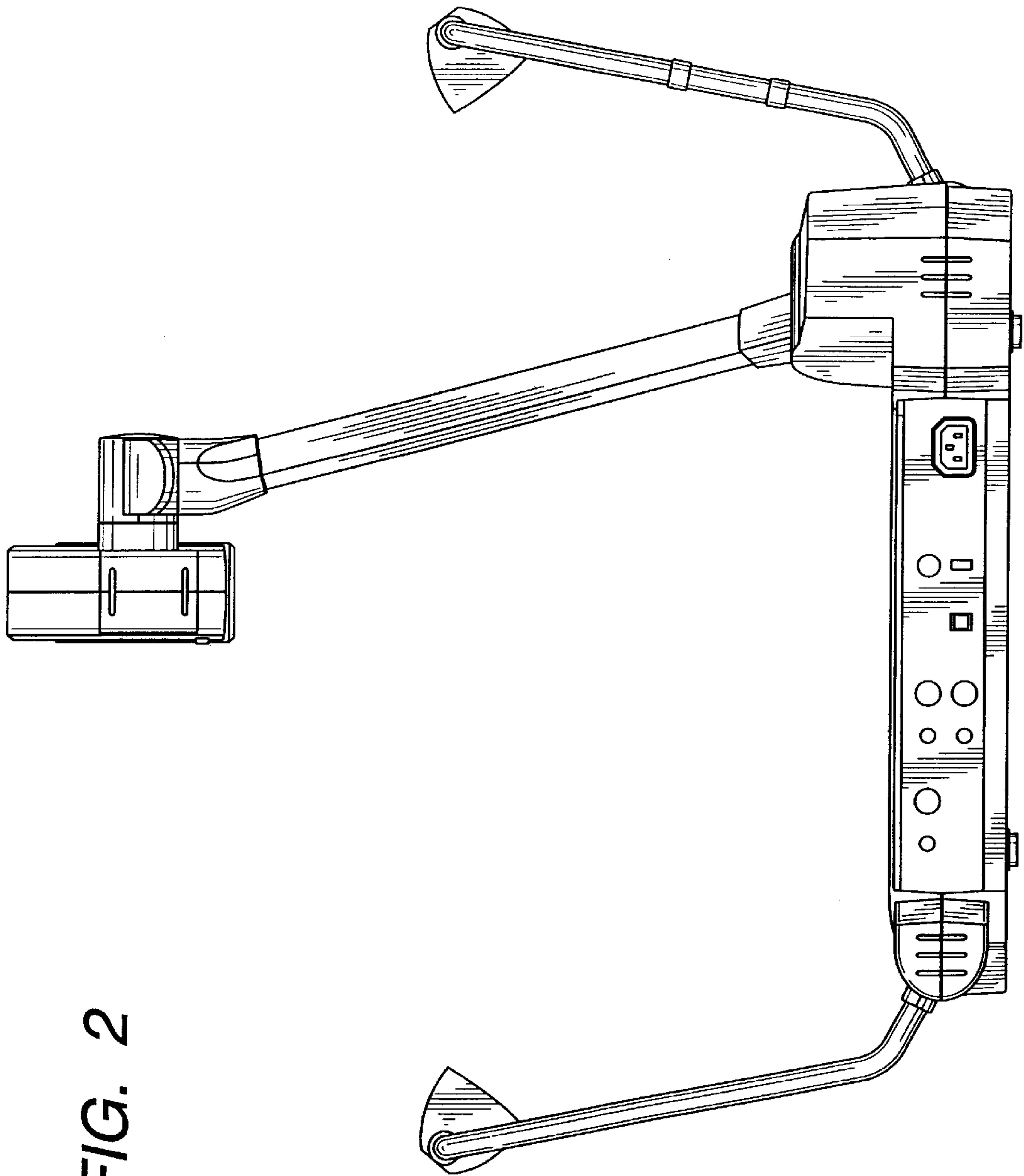


FIG. 2

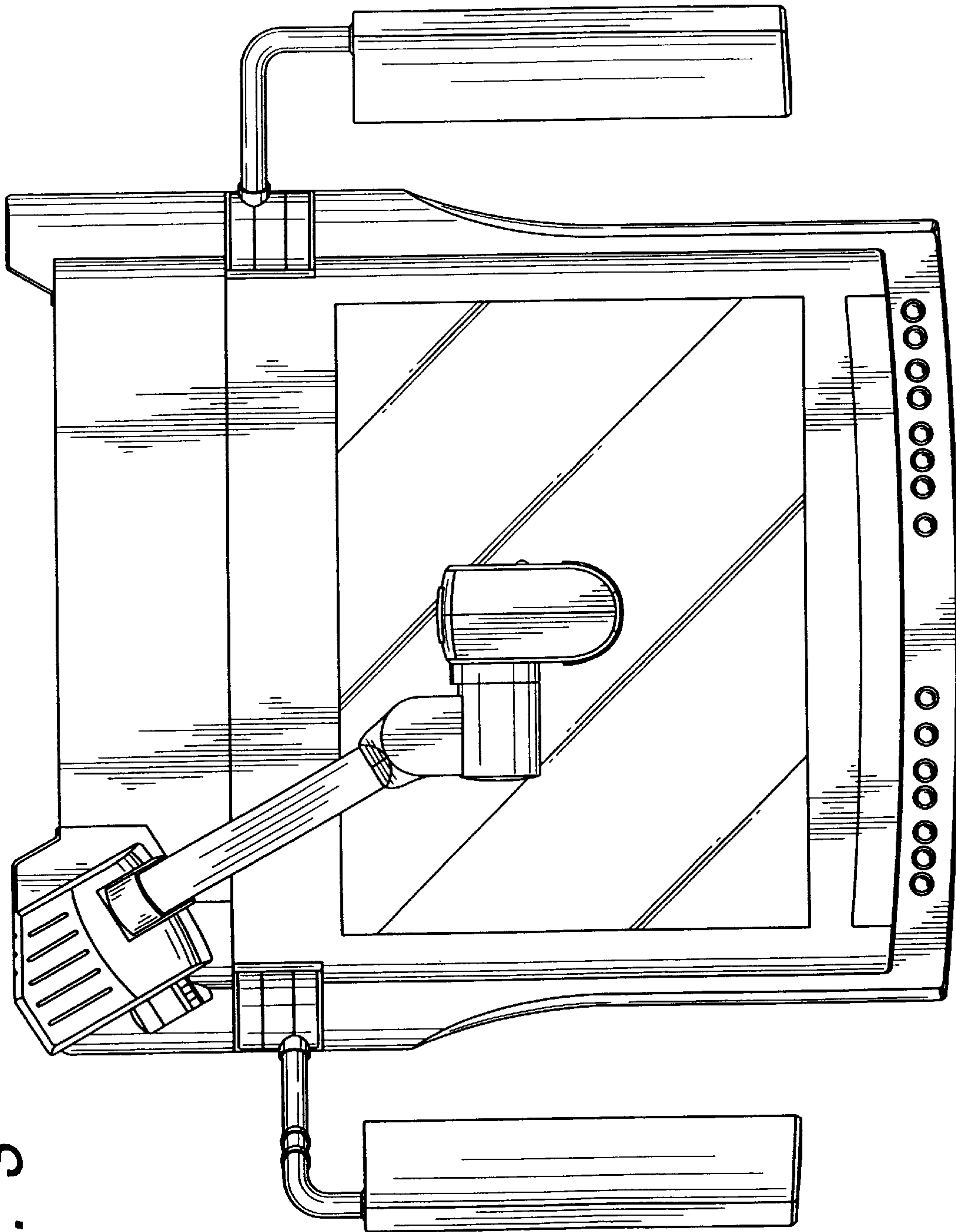


FIG. 3

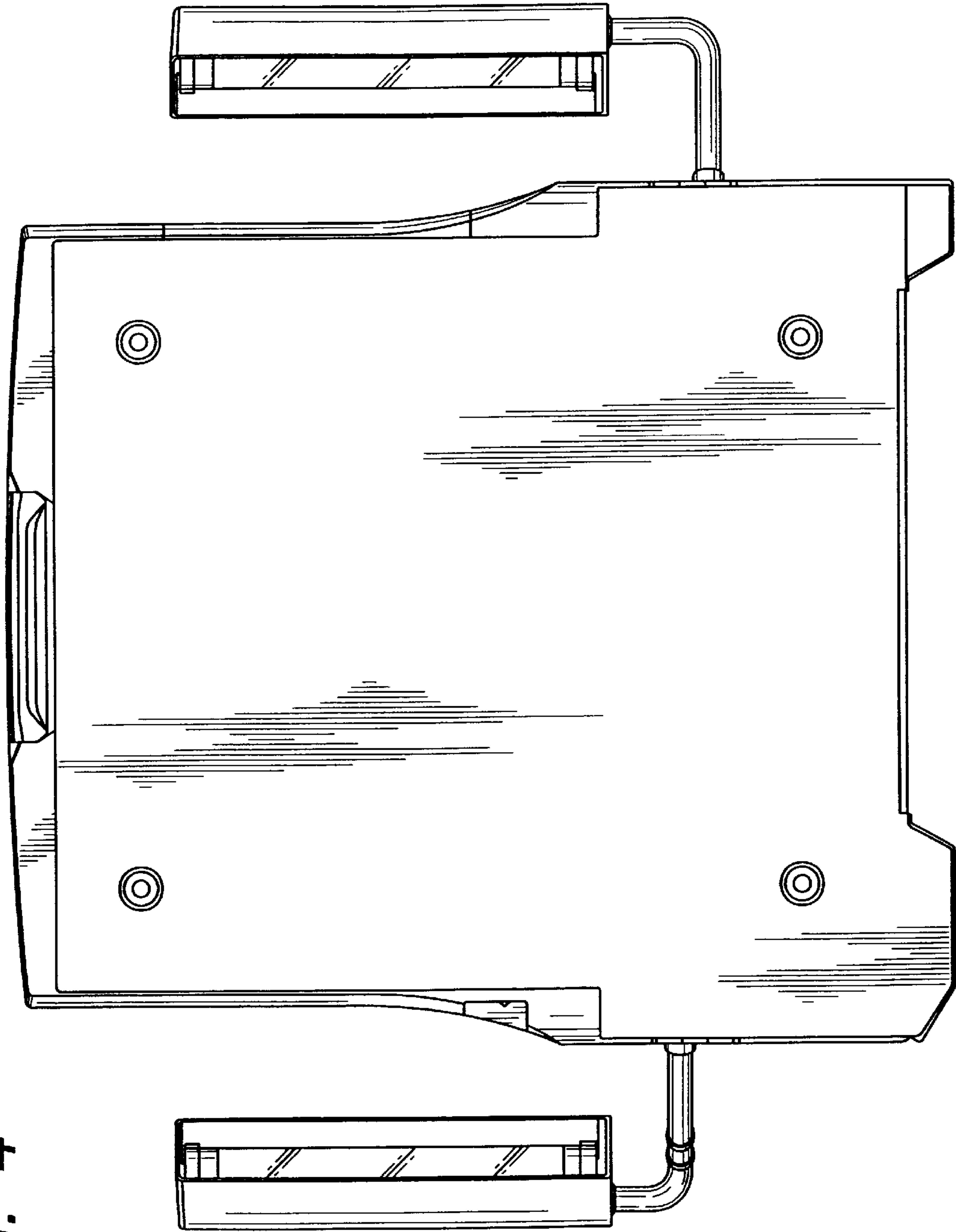


FIG. 4

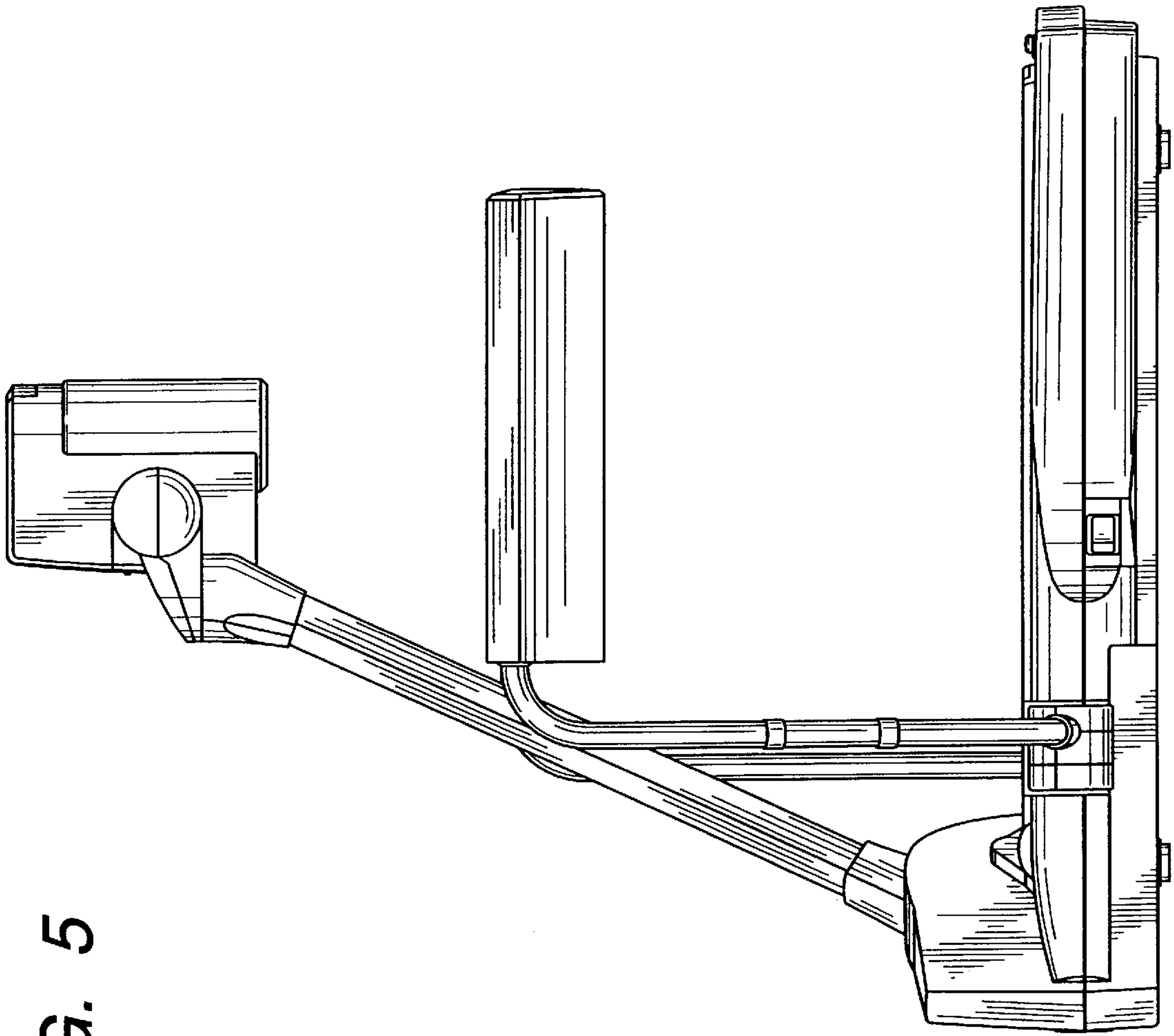


FIG. 5

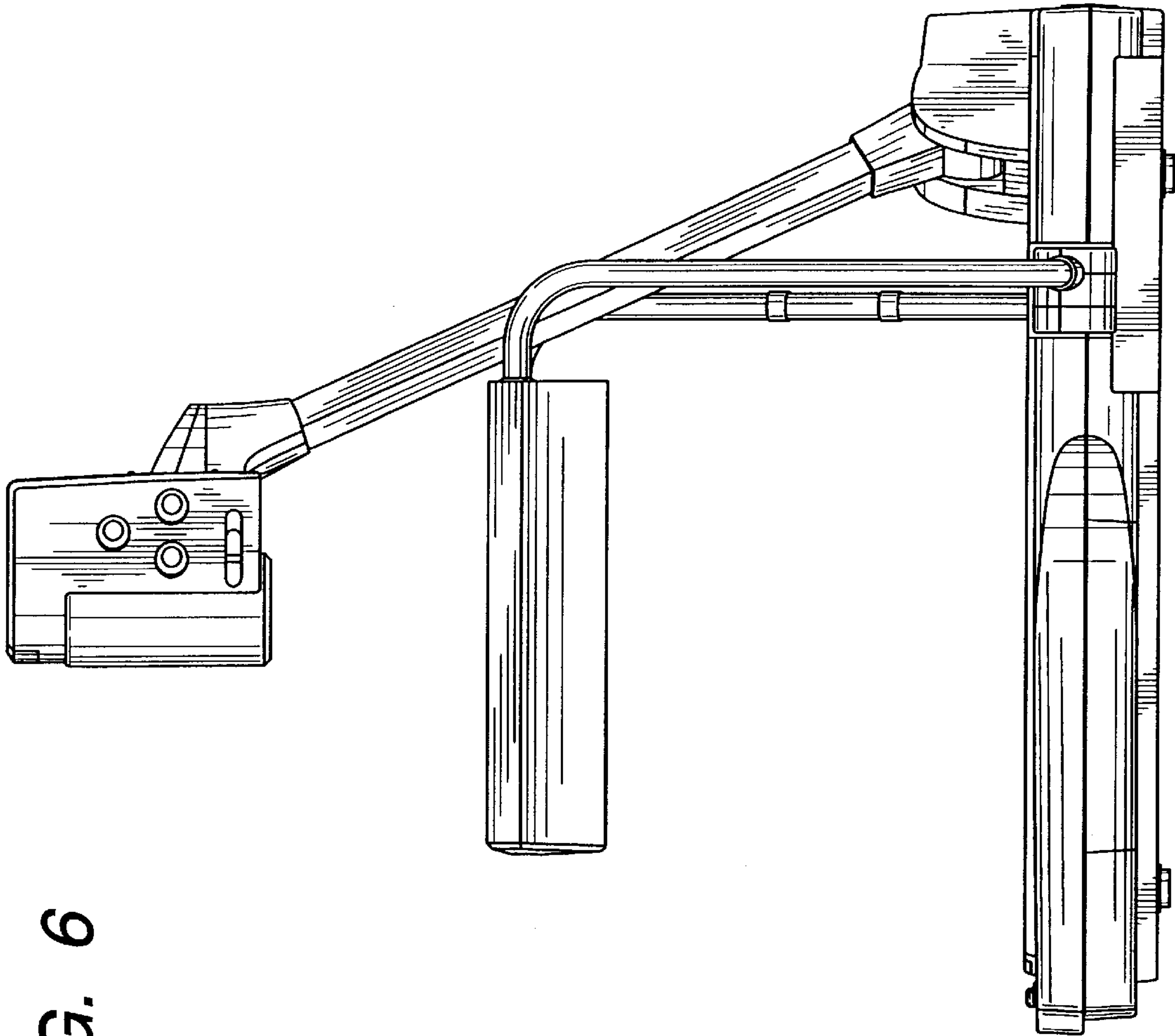


FIG. 6

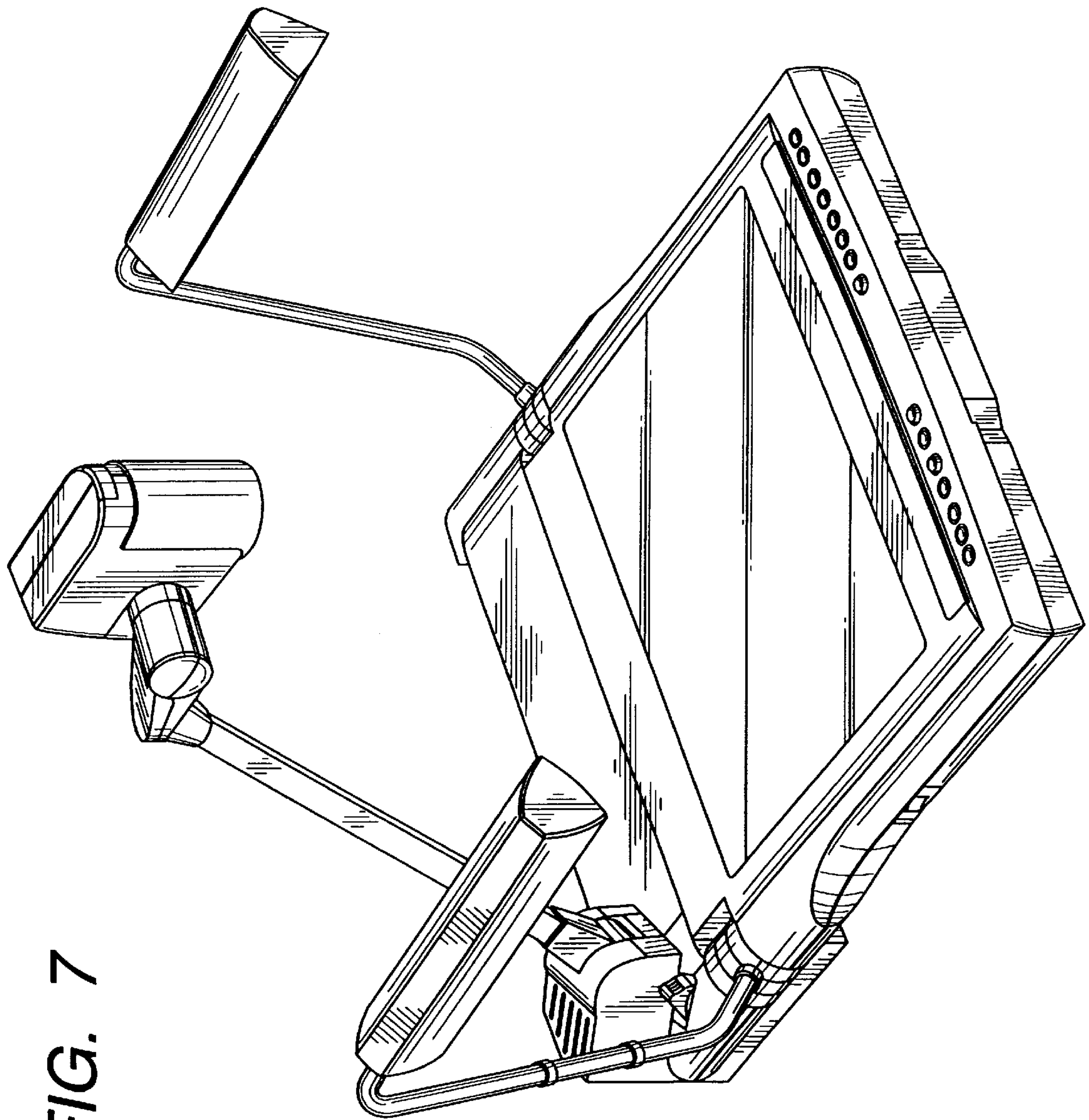


FIG. 7