



US00D422570S

United States Patent [19]
Kobayashi

[11] **Patent Number: Des. 422,570**

[45] **Date of Patent: ** Apr. 11, 2000**

[54] **IMAGE INPUT DEVICE**

D. 382,256 8/1997 Lin D14/107
D. 388,405 12/1997 Lin D14/107

[75] Inventor: **Makoto Kobayashi**, Nagano, Japan

Primary Examiner—Freda Nunn
Attorney, Agent, or Firm—Stroock & Stroock & Lavan LLP

[73] Assignee: **Seiko Epson Corporation**, Tokyo, Japan

[57] **CLAIM**

[**] Term: **14 Years**

The ornamental design for an image input device, as shown and described.

[21] Appl. No.: **29/099,075**

DESCRIPTION

[22] Filed: **Jan. 13, 1999**

[30] **Foreign Application Priority Data**

Jul. 15, 1998 [JP] Japan 10-20401

[51] **LOC (6) Cl.** **14-02**

[52] **U.S. Cl.** **D14/107; D18/54**

[58] **Field of Search** D14/105, 107,
D14/118; D18/36, 50, 54; 250/556; 235/454,
462, 470, 380, 382, 382.5, 482, 483

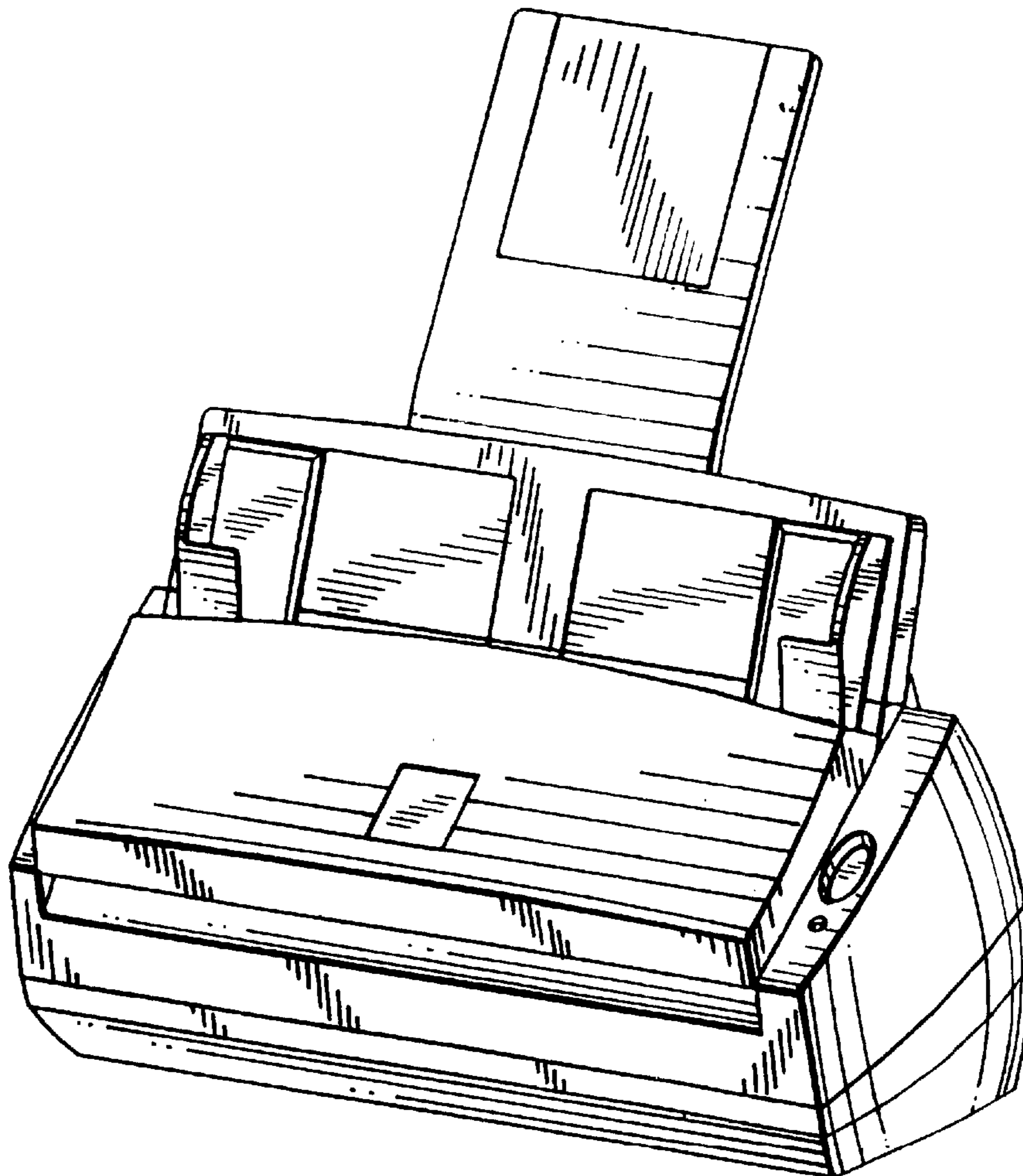
FIG. 1 is a top plan view of an image input device in accordance with the present invention;
FIG. 2 is a front view of the image input device of FIG. 1;
FIG. 3 is a left side view of the image input device of FIG. 1;
FIG. 4 is a right side view of the image input device of FIG. 1;
FIG. 5 is a bottom view of the image input device of FIG. 1;
FIG. 6 is a rear elevation view of the image input device of FIG. 1; and,
FIG. 7 is a front perspective view of the image input device of FIG. 1.

[56] **References Cited**

U.S. PATENT DOCUMENTS

D. 349,922 8/1994 Tashiro D18/50
D. 378,378 3/1997 Nakazawa et al. D18/54

1 Claim, 3 Drawing Sheets



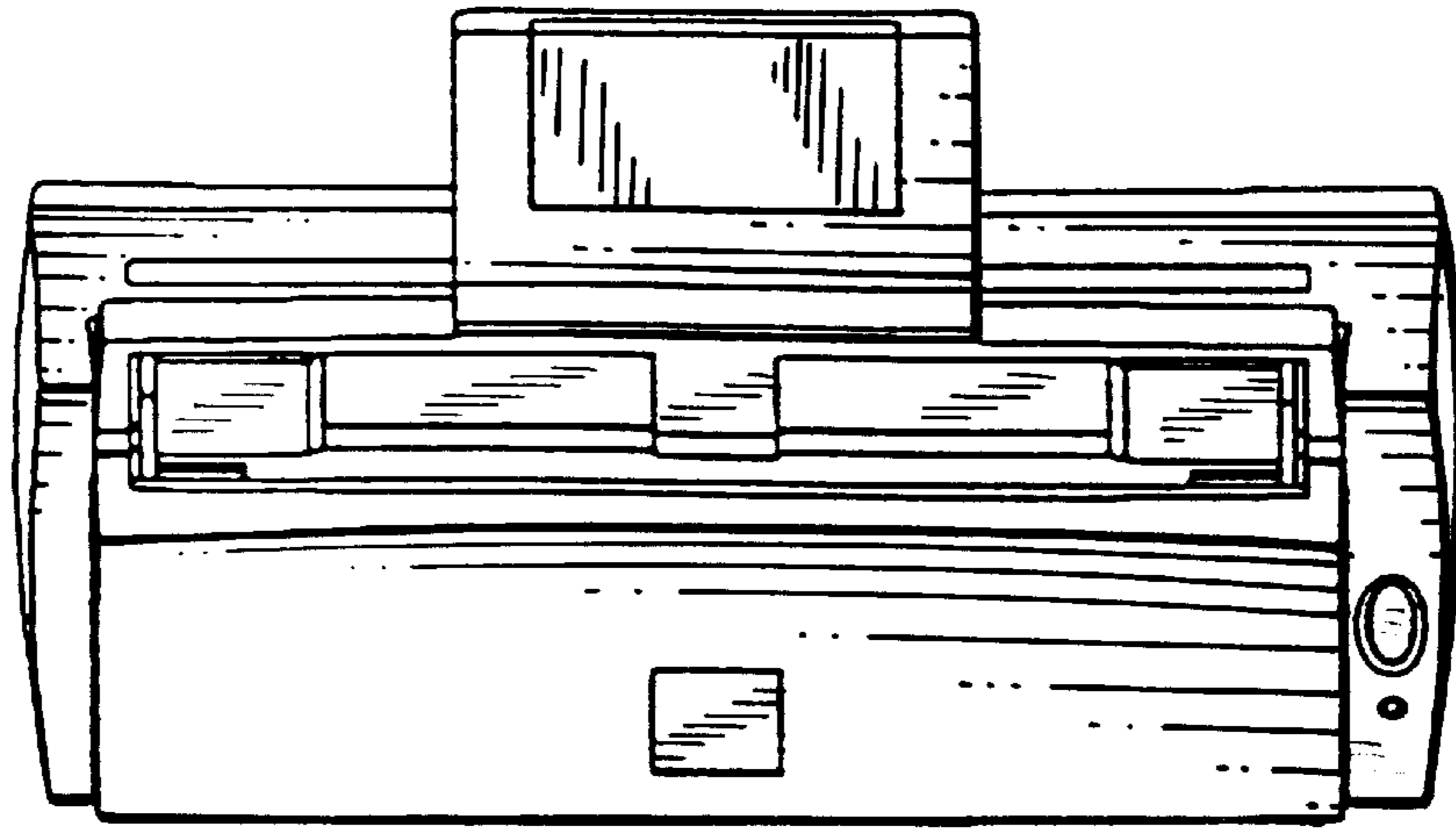


FIG. 1

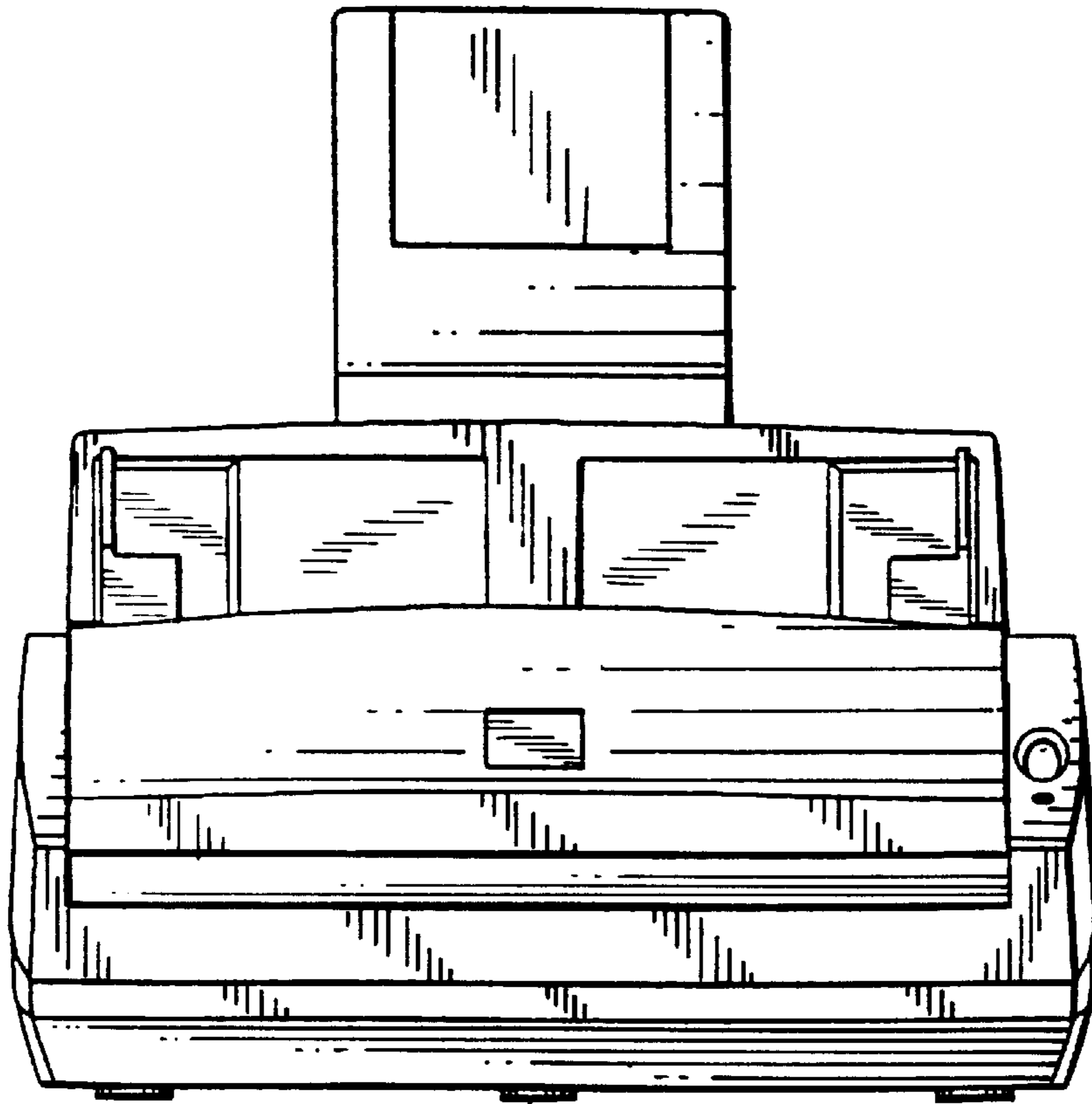


FIG. 2

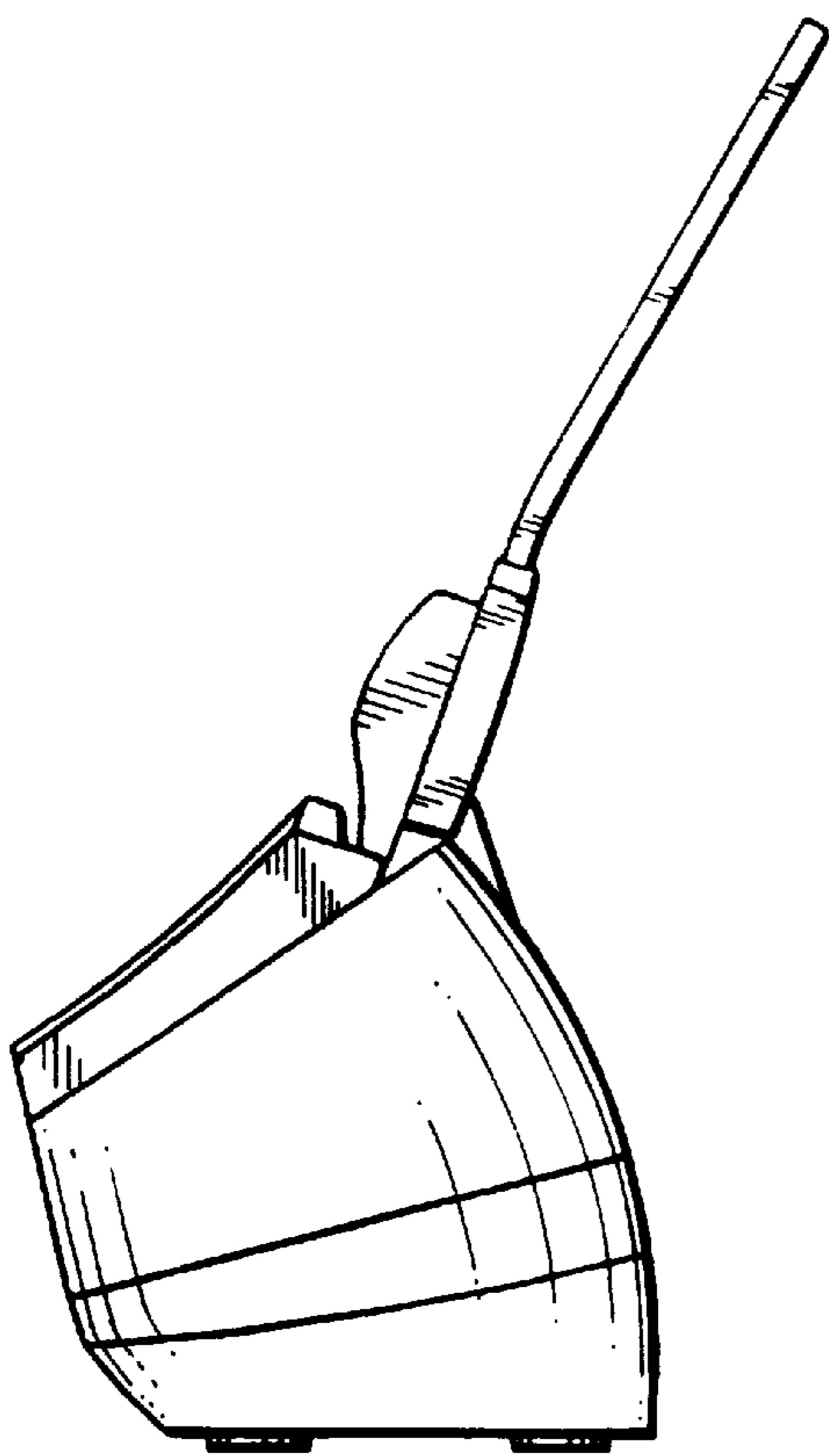


FIG. 3

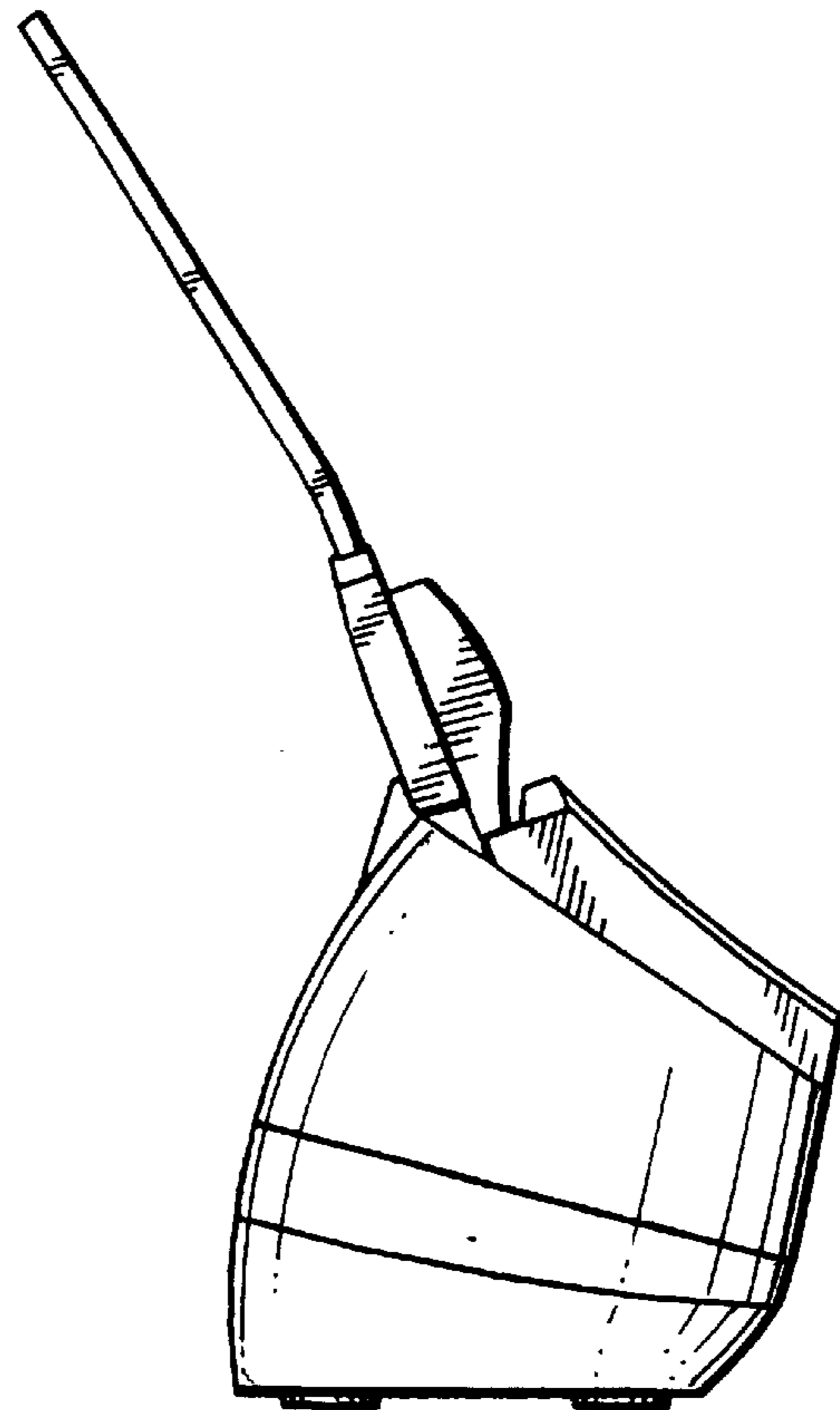


FIG. 4

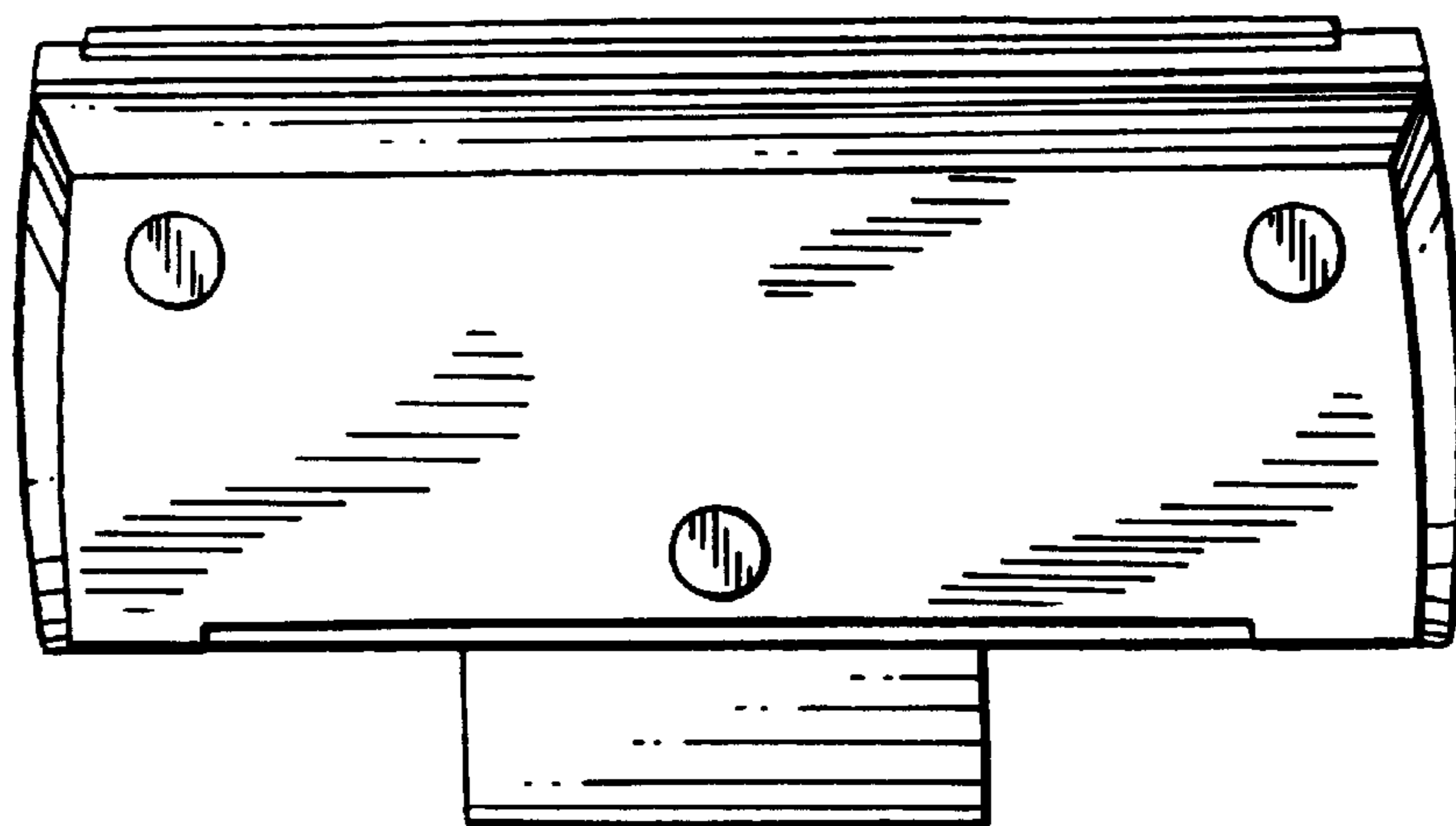


FIG. 5

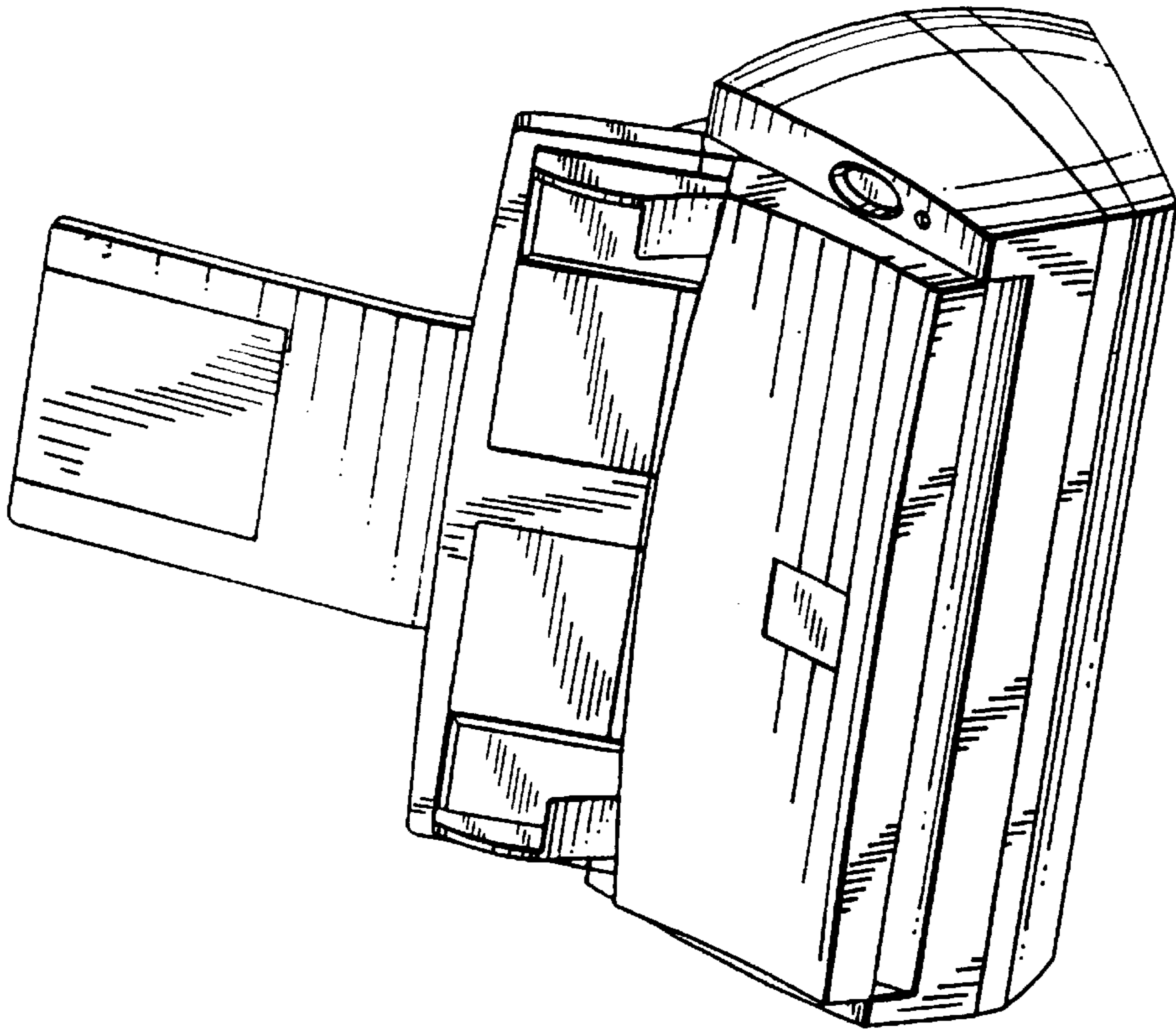


FIG. 7

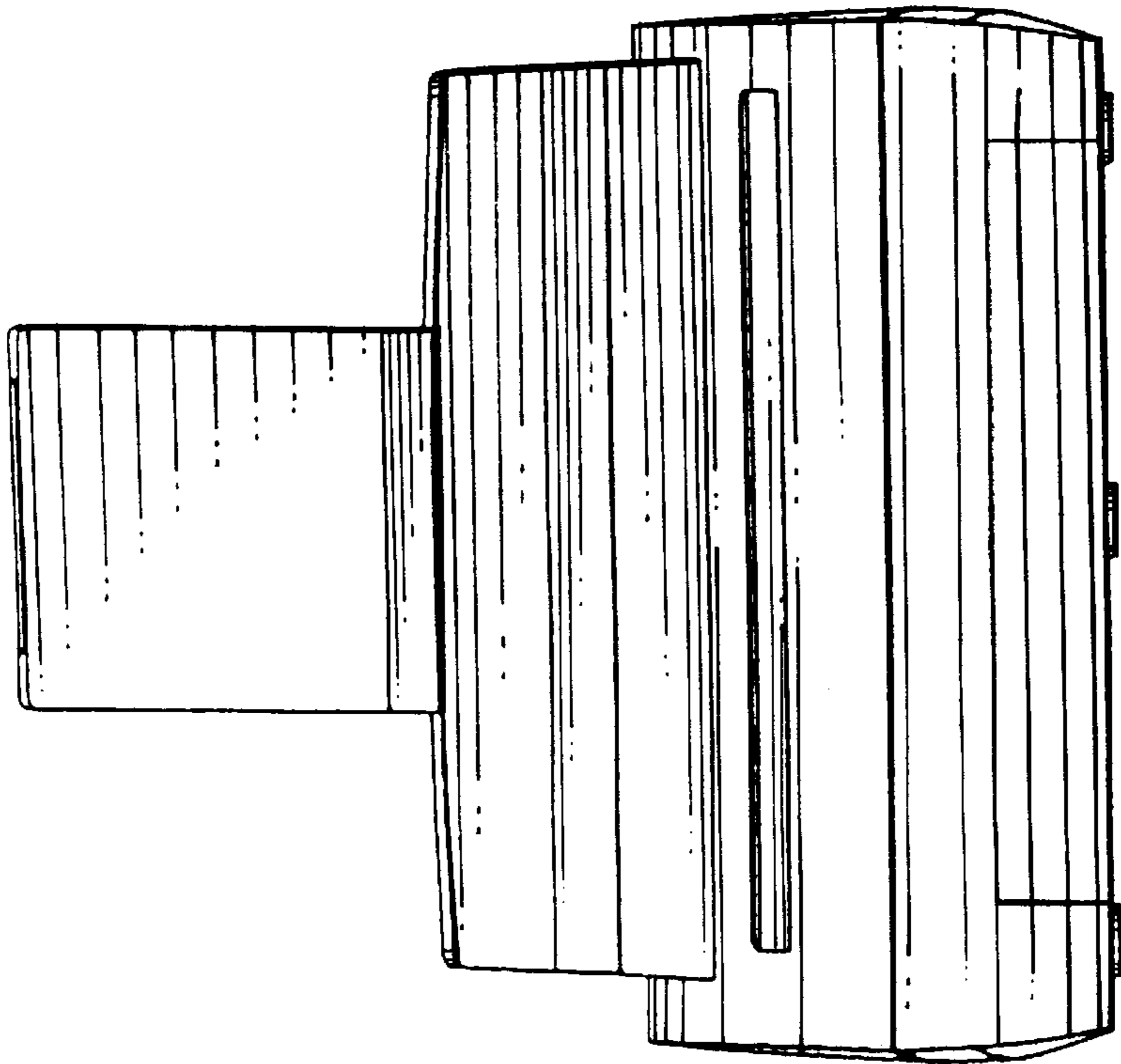


FIG. 6