



US00D422566S

United States Patent [19]

Benedetto et al.

[11] Patent Number: Des. 422,566

[45] Date of Patent: ** Apr. 11, 2000

[54] BOX FOR ELECTRICAL CONNECTIONS

[75] Inventors: **Adrian Benedetto; Frank Czogalla,**
both of Berlin, Germany

[73] Assignee: **Krone Aktiengesellschaft,** Berlin,
Germany

[**] Term: **14 Years**

[21] Appl. No.: **29/090,504**

[22] Filed: **Jul. 9, 1998**

[51] LOC (6) Cl. **13-03**

[52] U.S. Cl. **D13/152**

[58] Field of Search D13/152, 184;
D14/240; 379/383, 399, 325-330; 174/65 R

[56] References Cited

U.S. PATENT DOCUMENTS

D. 362,003	9/1995	Claudio	D14/240
D. 367,646	3/1996	Schneider et al.	D13/152
D. 367,859	3/1996	Beaumont et al.	D14/240 X
D. 377,339	1/1997	Beruscha et al.	D13/184
D. 377,652	1/1997	Sarkiniemi	D14/240
4,213,013	7/1980	Perna et al.	379/383

Primary Examiner—Joel Sincavage

Attorney, Agent, or Firm—McGlew and Tuttle, P.C.

[57] CLAIM

The ornamental design for a box for electrical connections,
as shown and described.

DESCRIPTION

FIG. 1 is a front view of the design of the present invention;
FIG. 2 is a top view of the design of the present invention;
FIG. 3 is a left side view of FIG. 2;

FIG. 4 is a bottom view of FIG. 1;
FIG. 5 is a right side view of FIG. 2;
FIG. 6 is a back side view of FIG. 1;
FIG. 7 is a front top right perspective view of the design of
the present invention;
FIG. 8 is a front view of a second embodiment of the present
invention, the second embodiment is a proportional varia-
tion of the design shown in FIG. 1;
FIG. 9 is a top view of the design of FIG. 8;
FIG. 10 is a left side view of FIG. 9;
FIG. 11 is a bottom view of FIG. 8;
FIG. 12 is a right side view of FIG. 9;
FIG. 13 is a back side view of FIG. 8;
FIG. 14 is a front top right perspective view of the design of
FIG. 8;
FIG. 15 is a front view of a third embodiment of the present
invention, the third embodiment is a another proportional
variation of the design shown in FIG. 1;
FIG. 16 is a top view of the design of FIG. 15;
FIG. 17 is a left side view of FIG. 16;
FIG. 18 is a bottom view of FIG. 15;
FIG. 19 is a right side view of FIG. 16;
FIG. 20 is a back side view of FIG. 15;
FIG. 21 is a front top right perspective view of the design of
FIG. 15;
FIG. 22 is a front view of a fourth embodiment of the present
invention, the fourth embodiment is still another propor-
tional variation of the design shown in FIG. 1;
FIG. 23 is a top view of the design of FIG. 22;
FIG. 24 is a left side view of FIG. 23;
FIG. 25 is a bottom view of FIG. 22;
FIG. 26 is a right side view of FIG. 23;
FIG. 27 is a back side view of FIG. 22; and,
FIG. 28 is a front top right perspective view of the design of
FIG. 1.

1 Claim, 12 Drawing Sheets

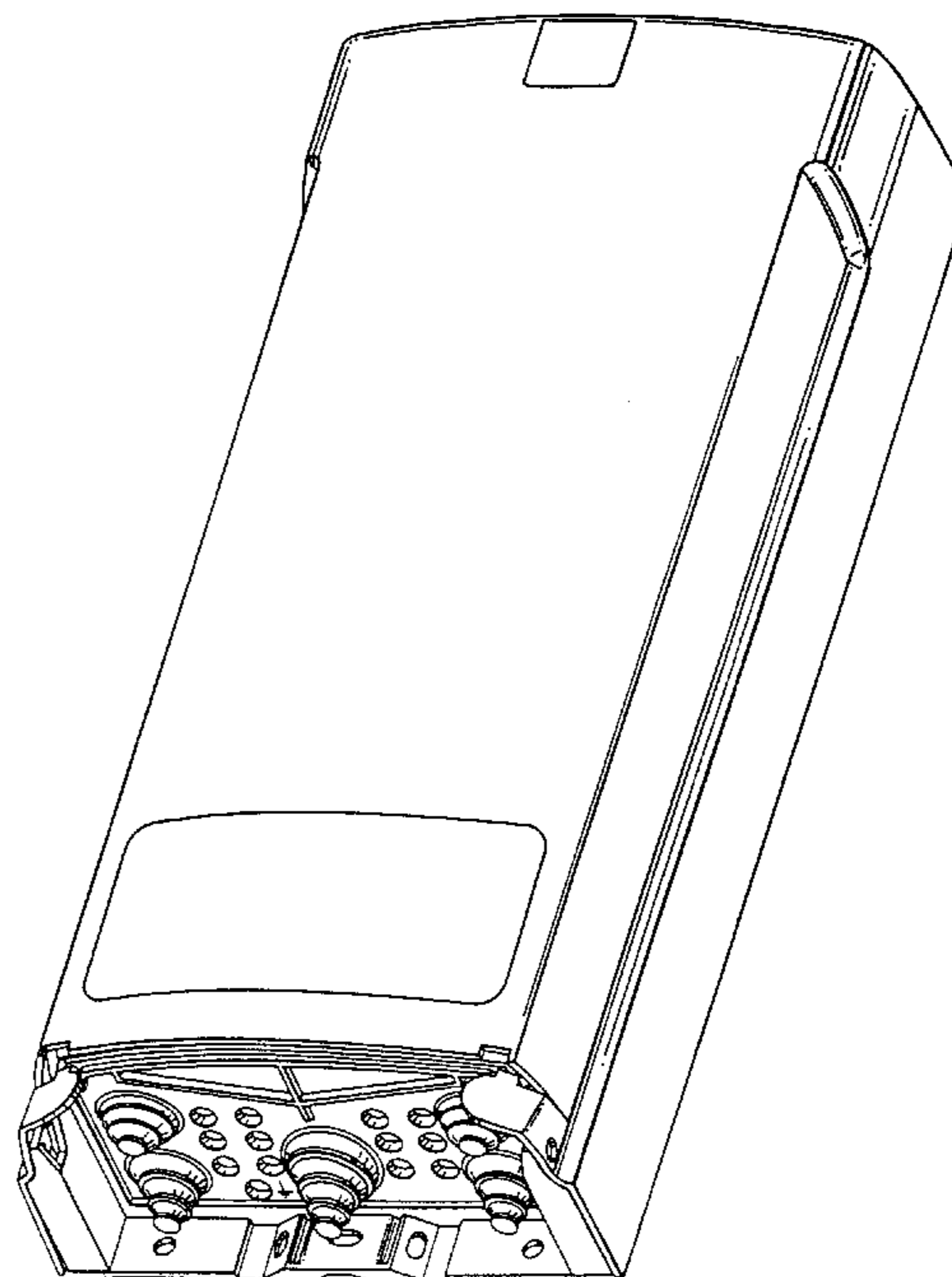
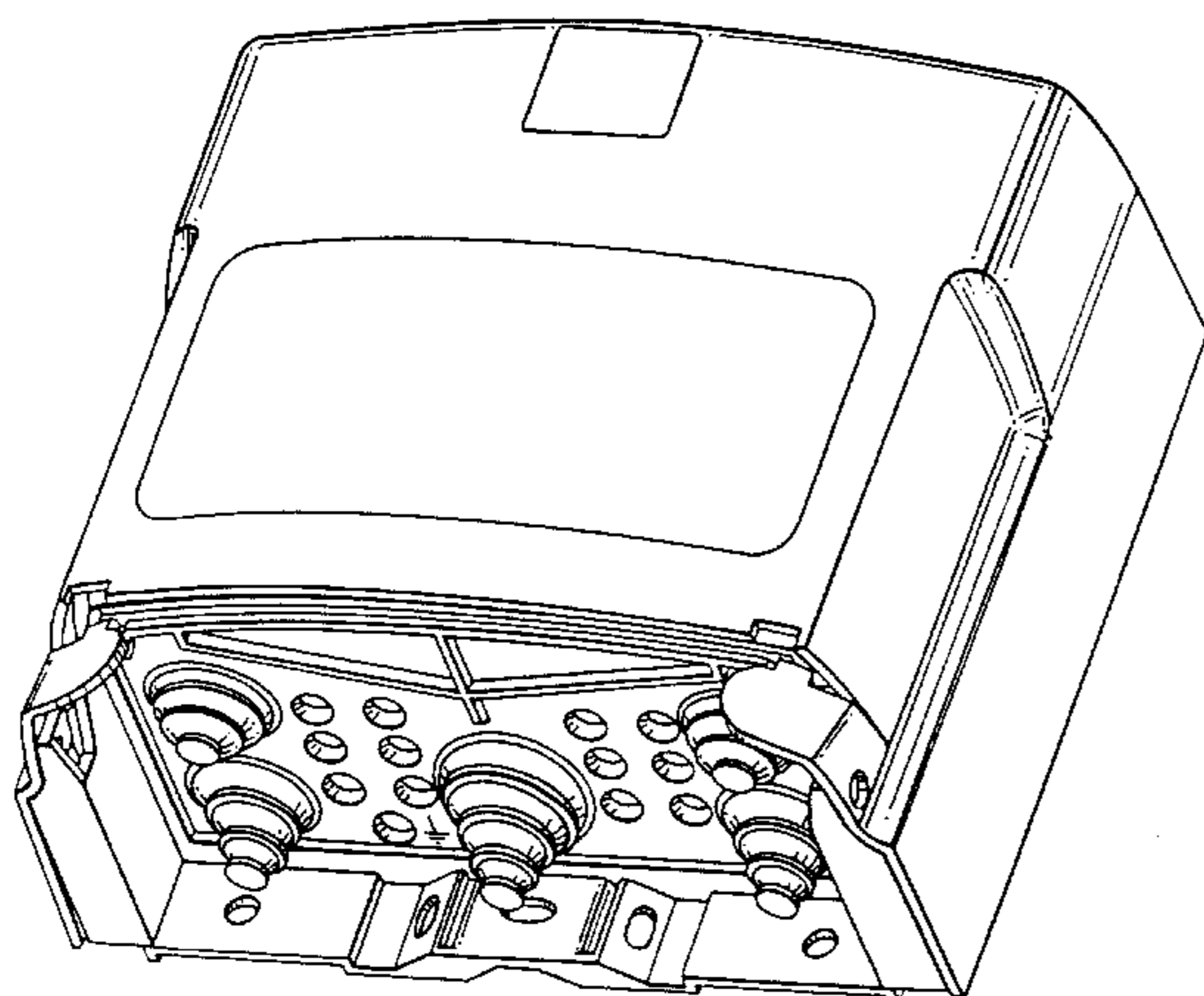


FIG.1

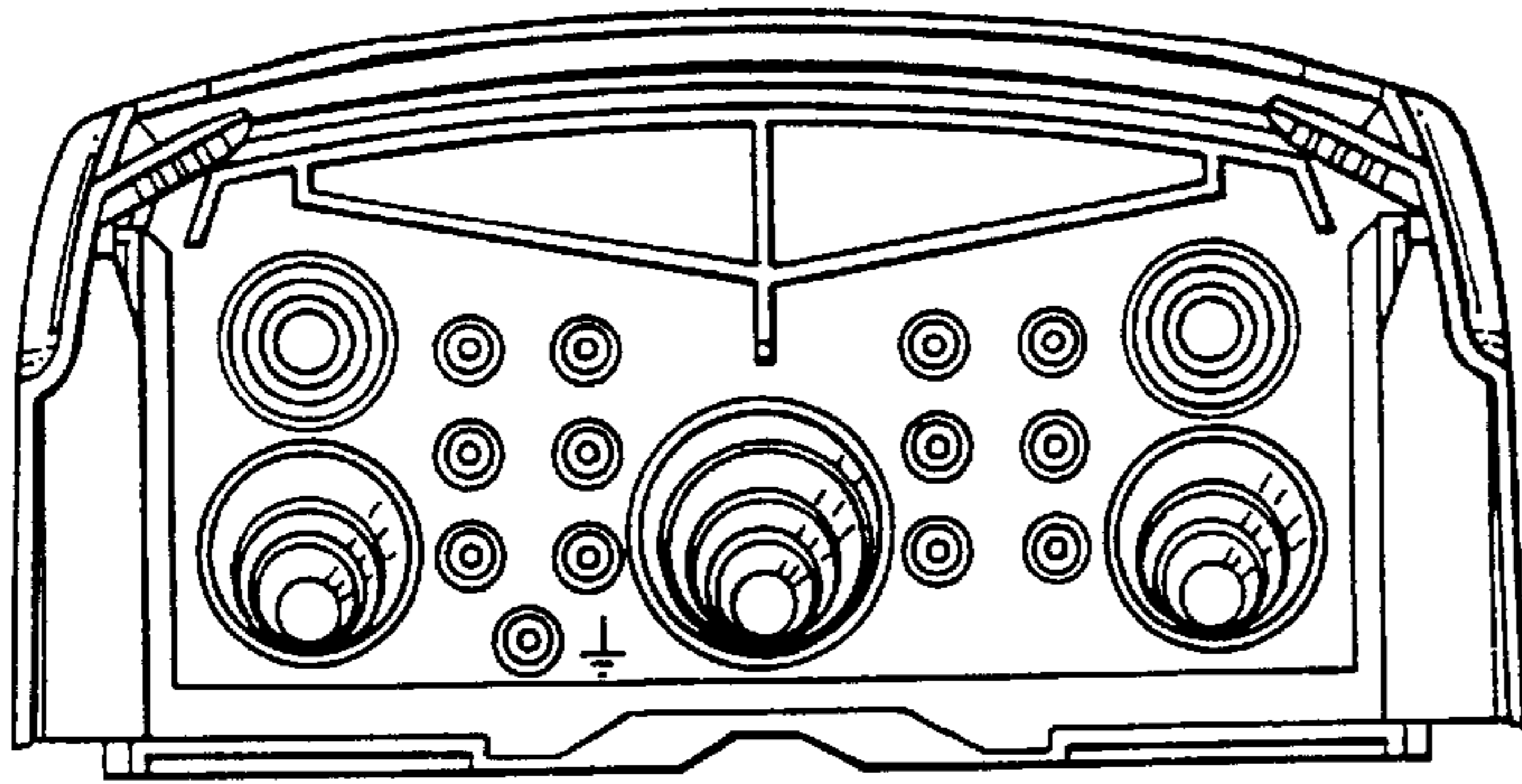


FIG.2

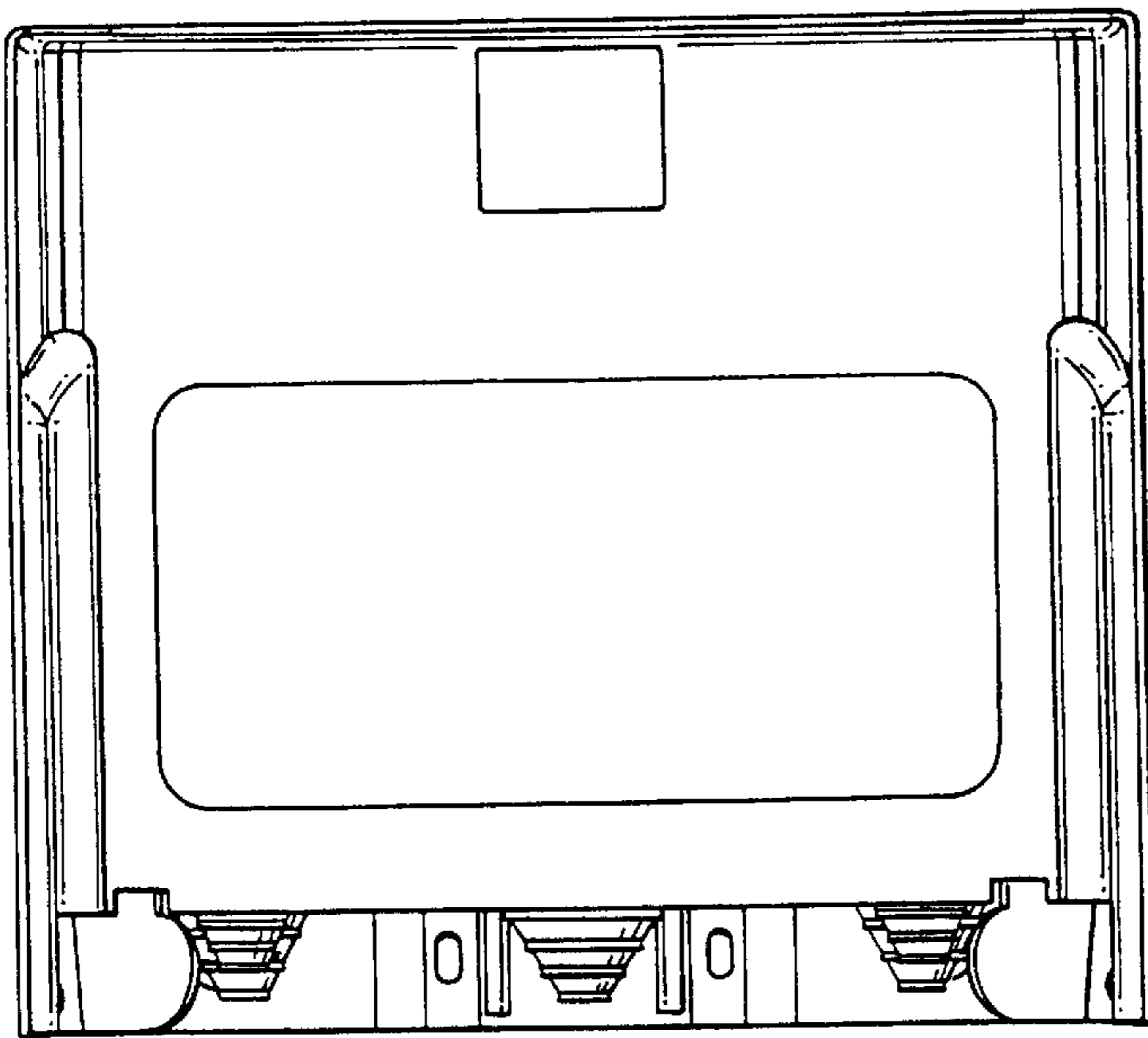


FIG.3

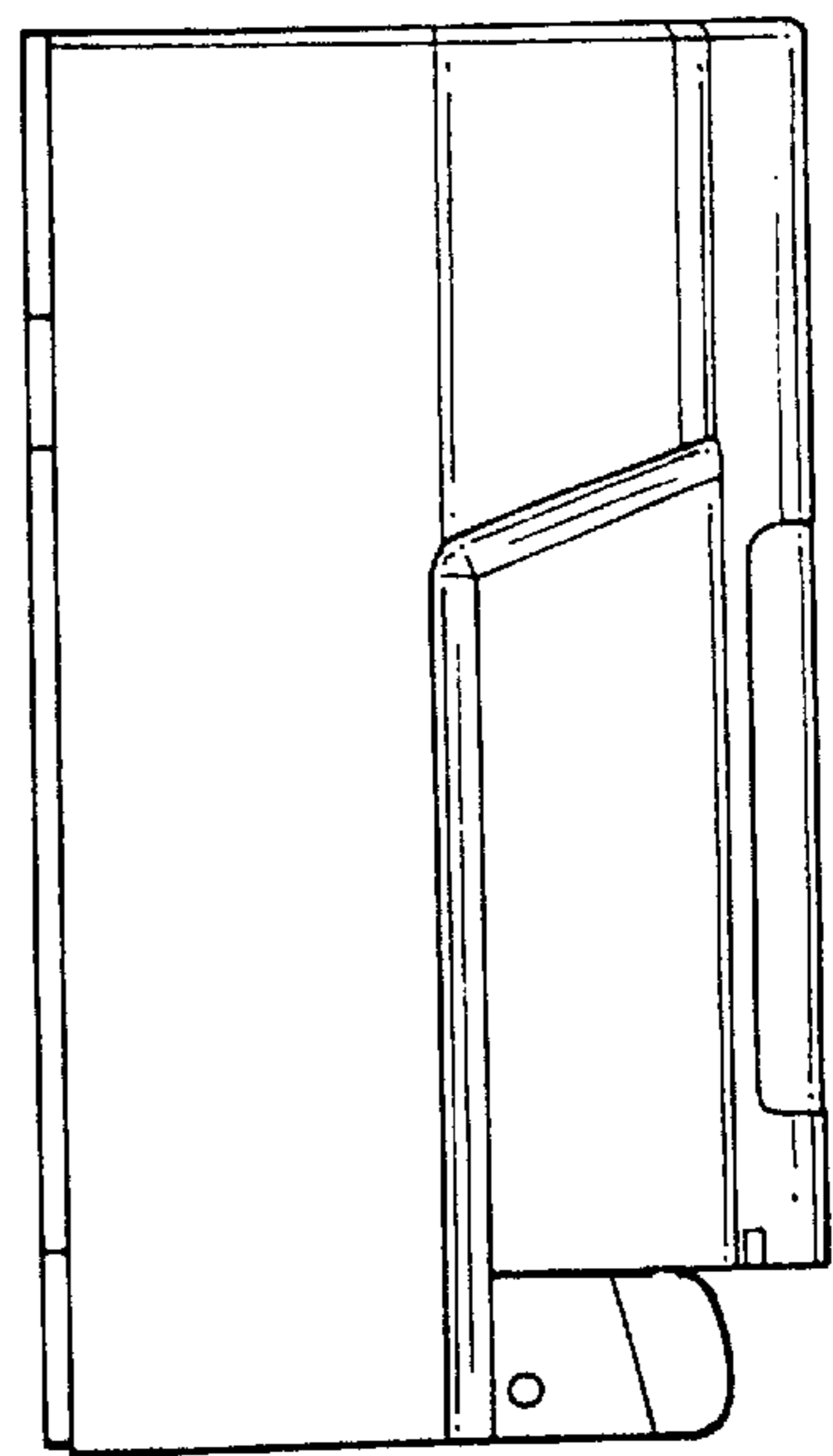


FIG.4

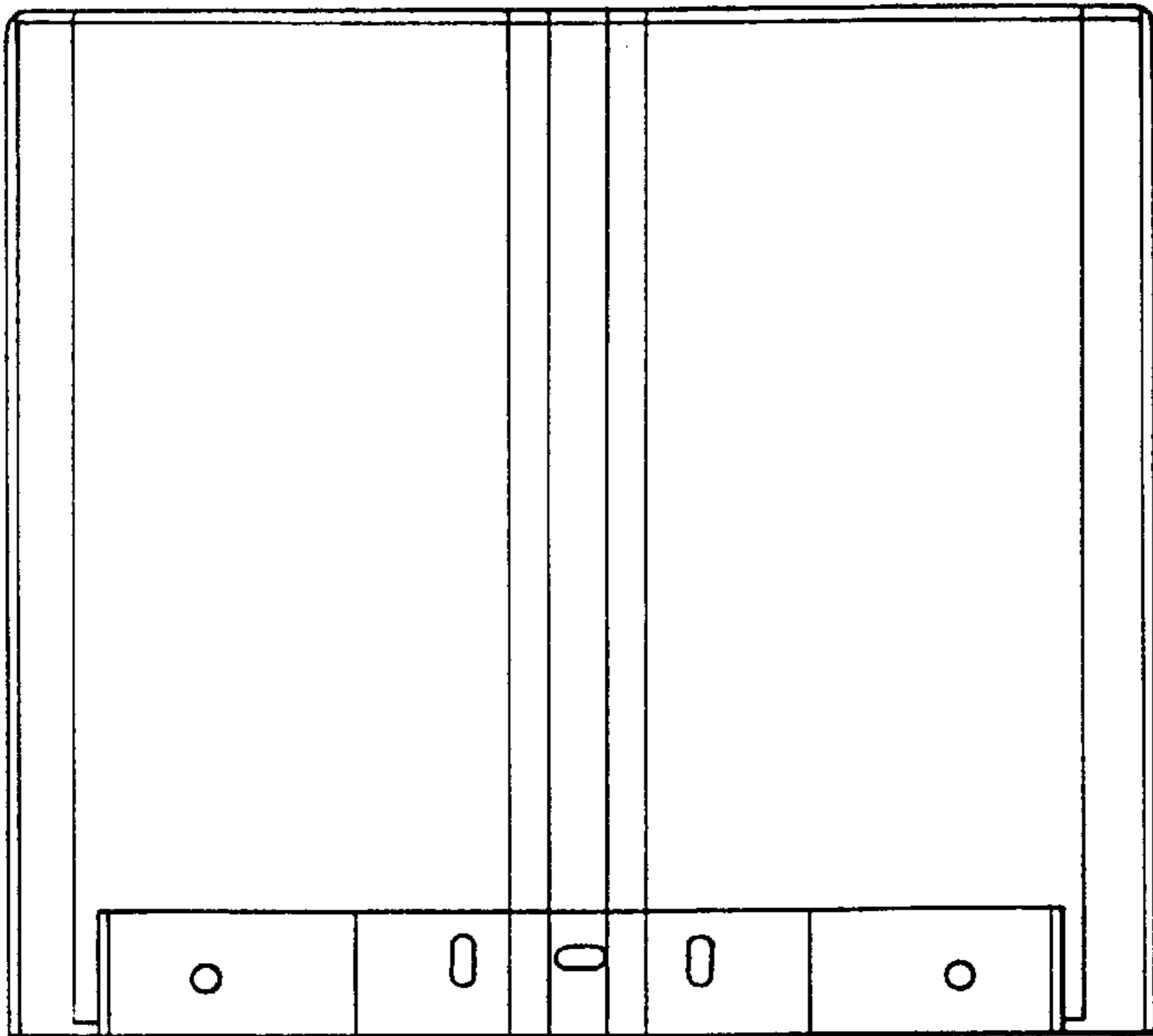


FIG.5

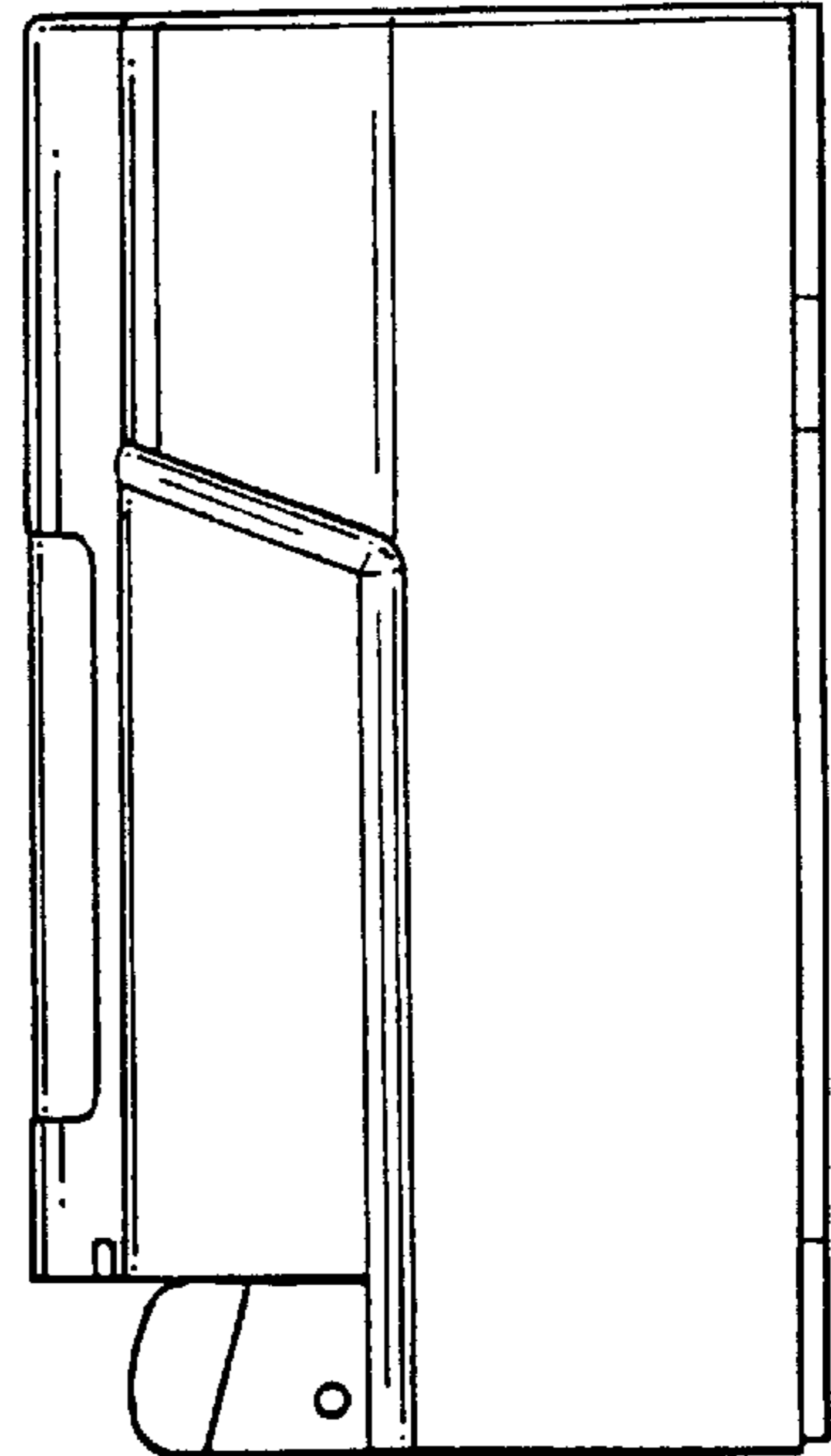


FIG.6

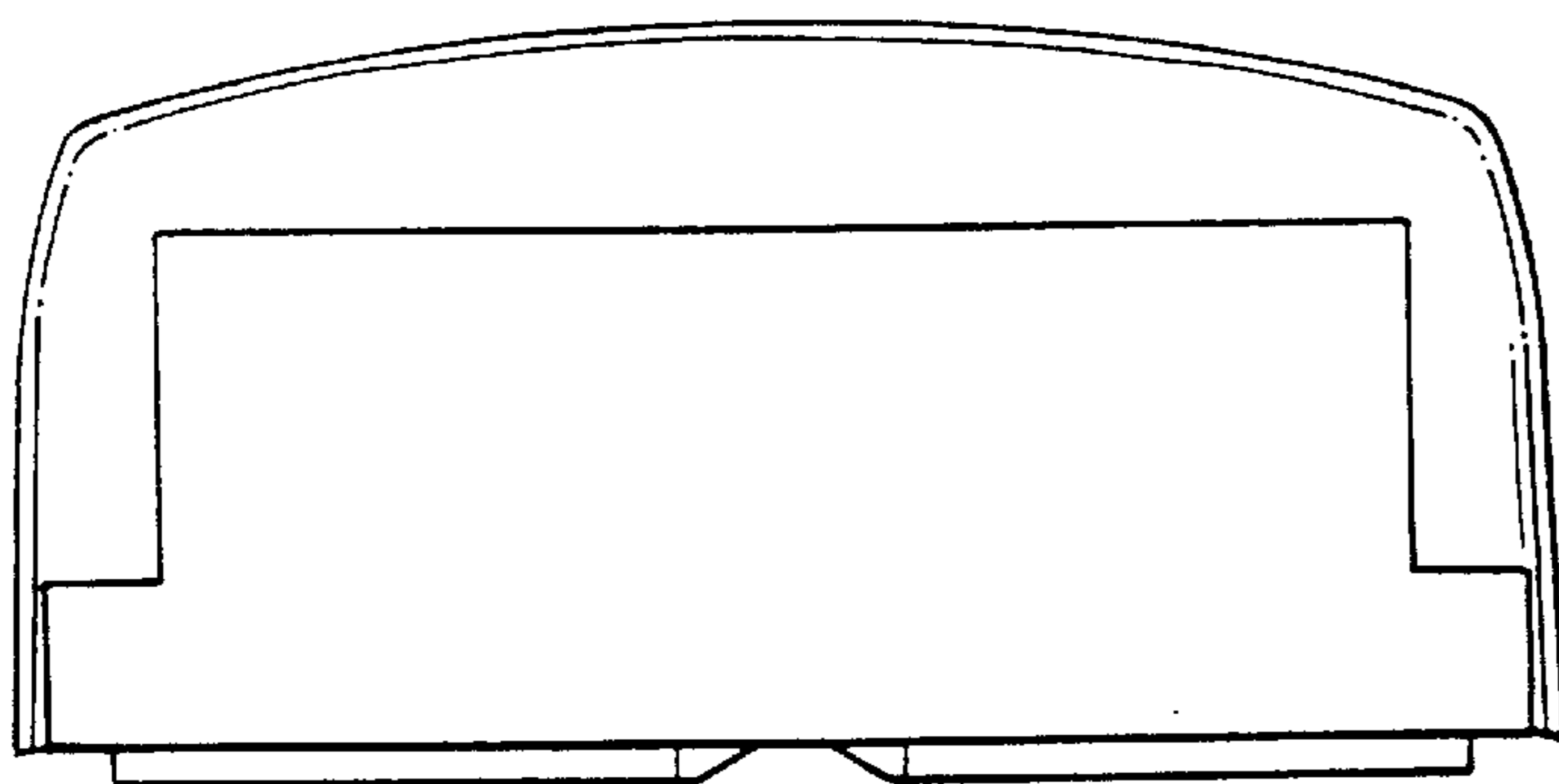


FIG. 7

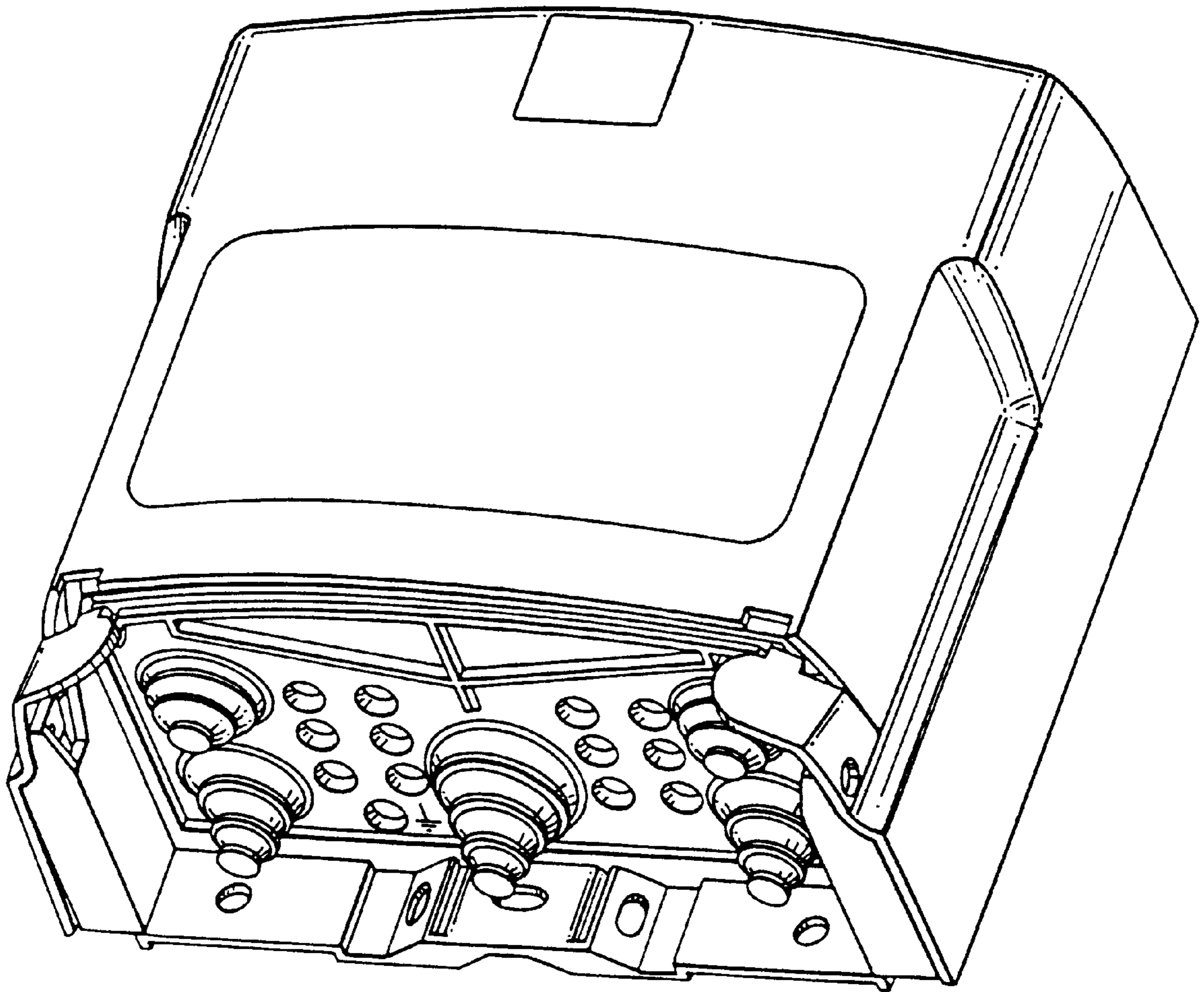


FIG. 8

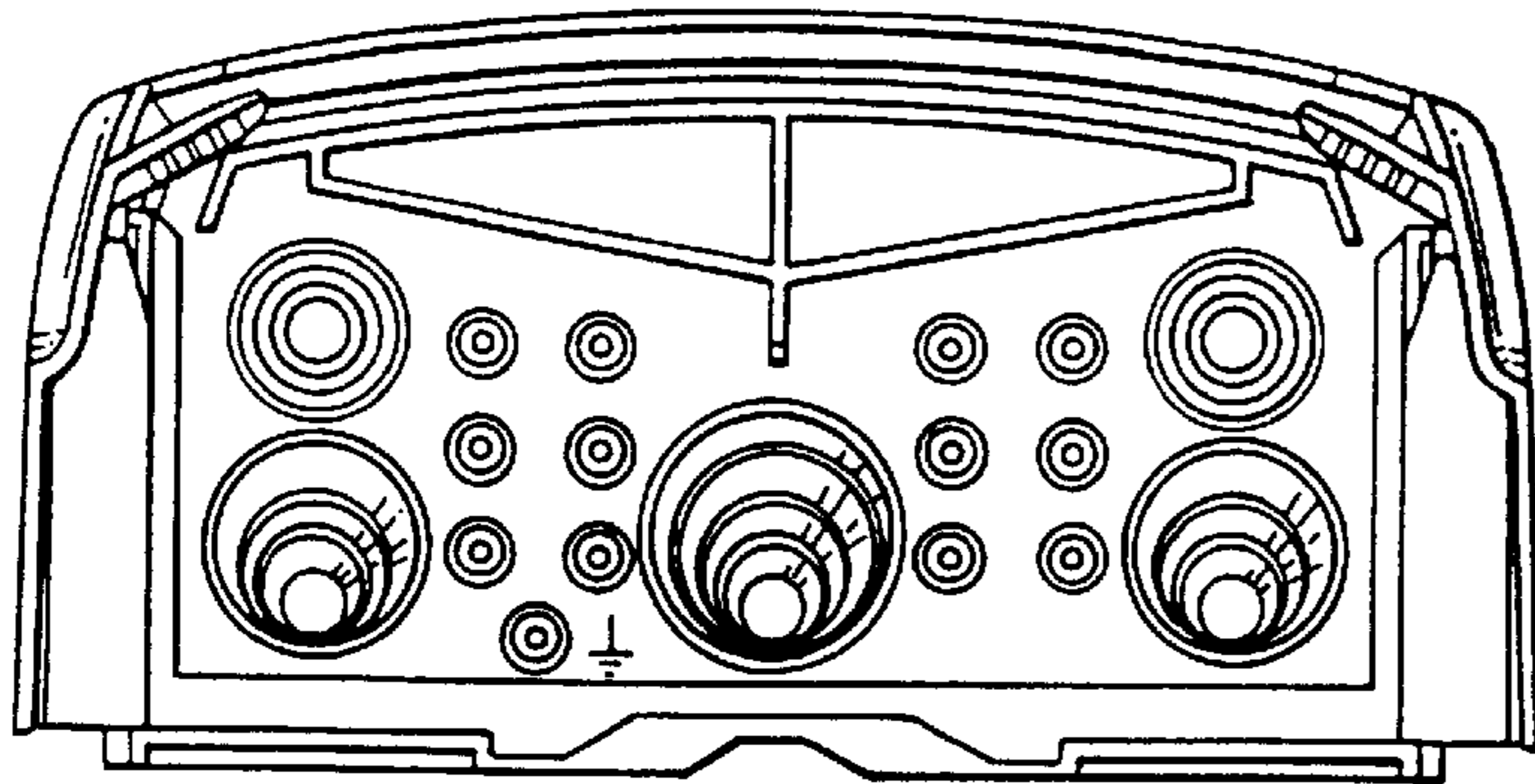


FIG. 9

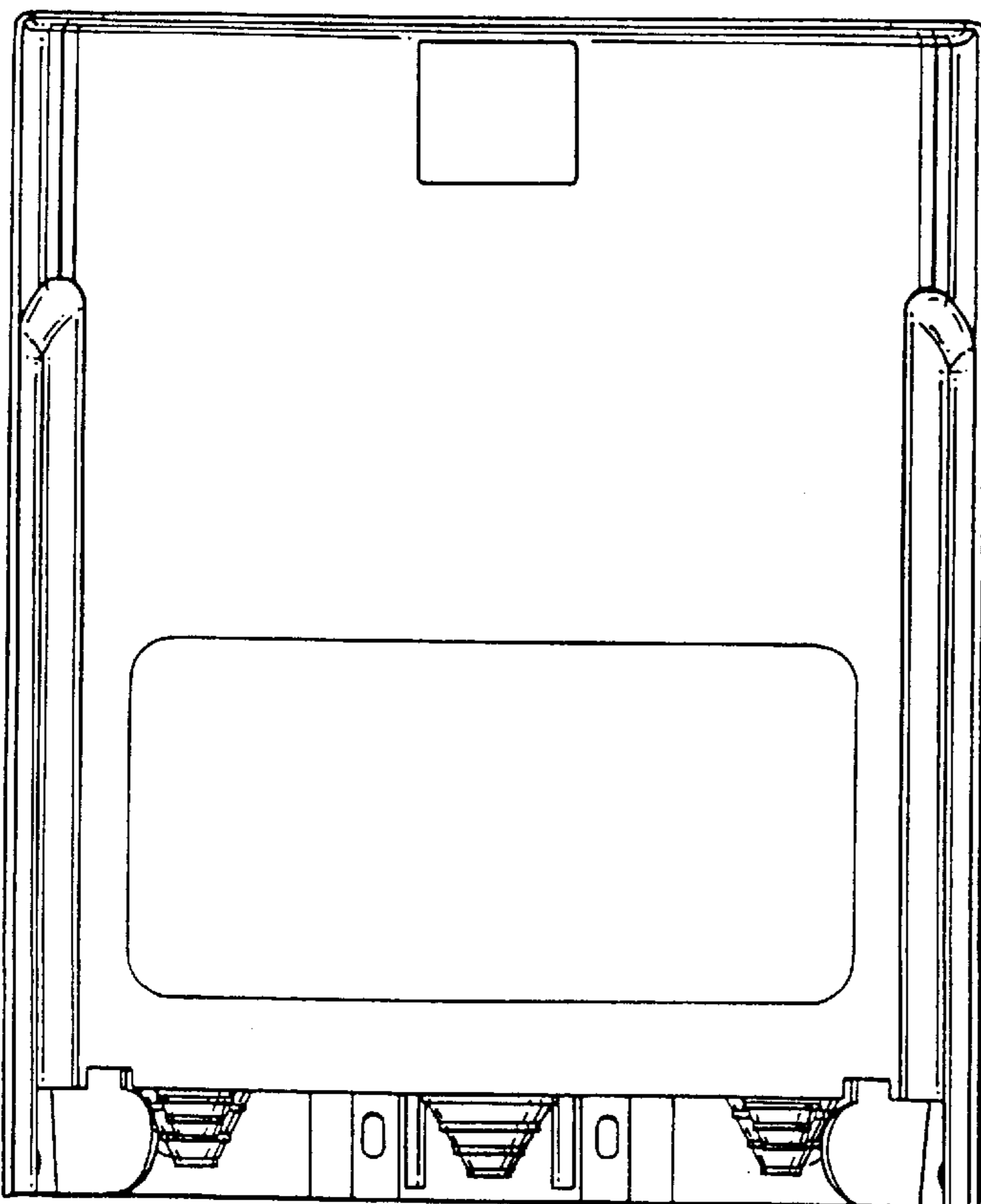


FIG. 10

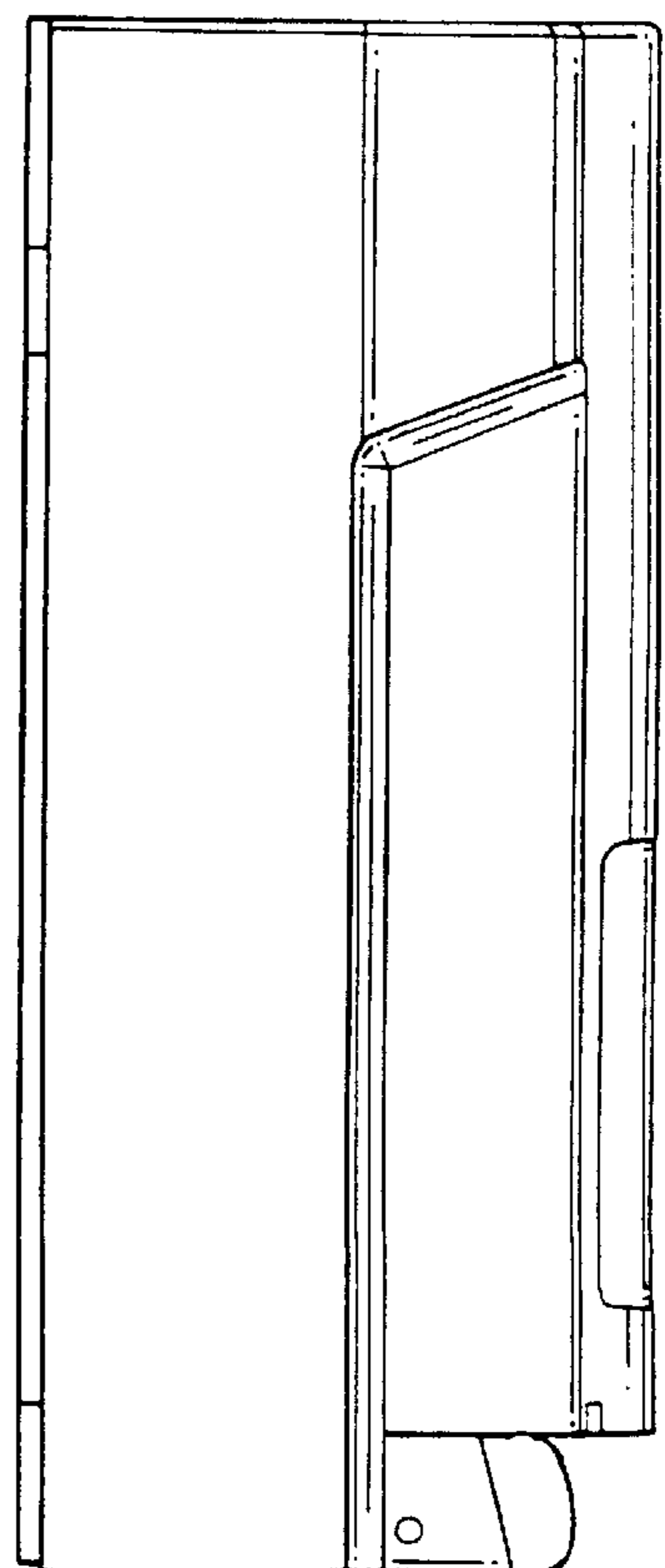


FIG. 11

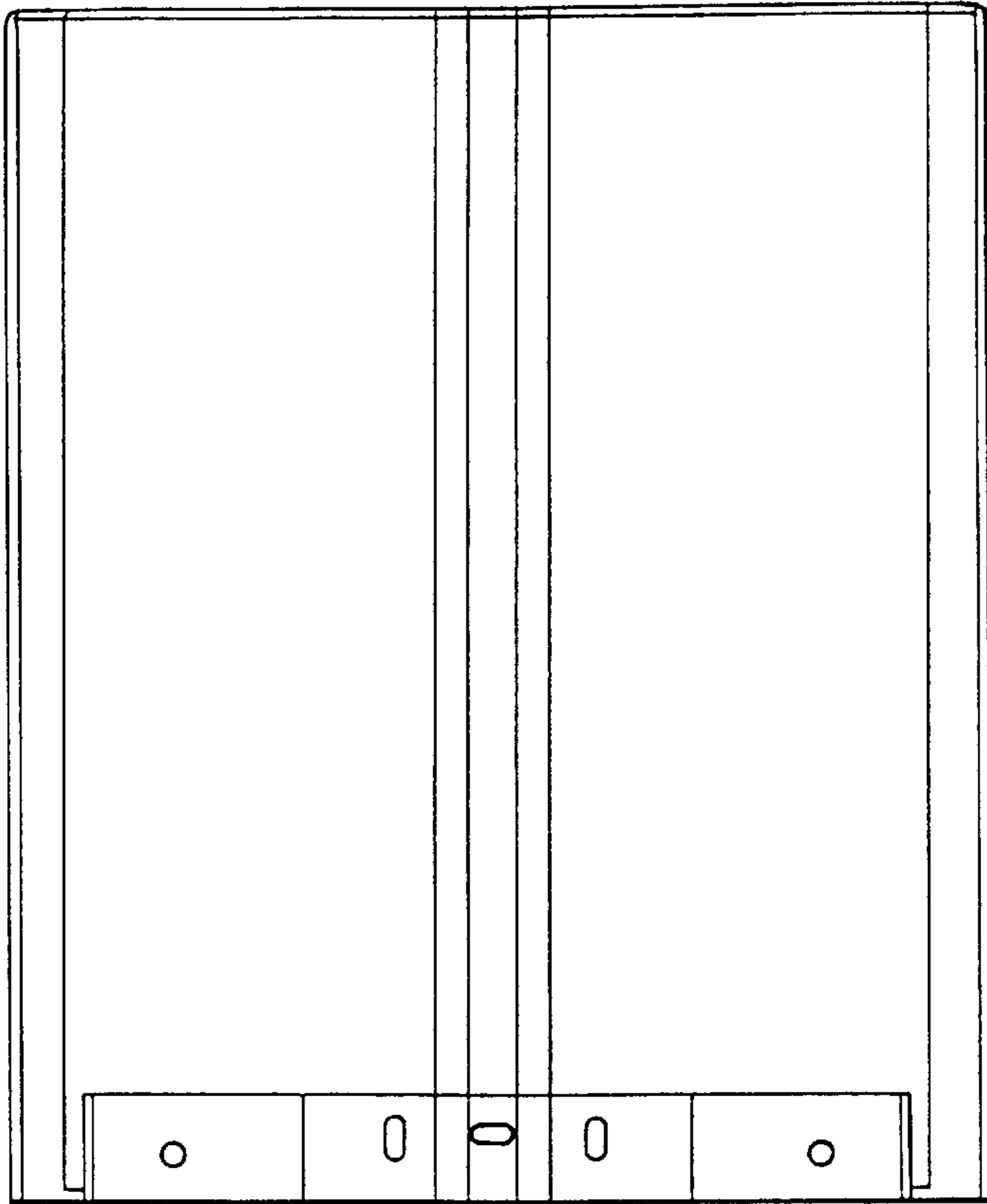


FIG. 12

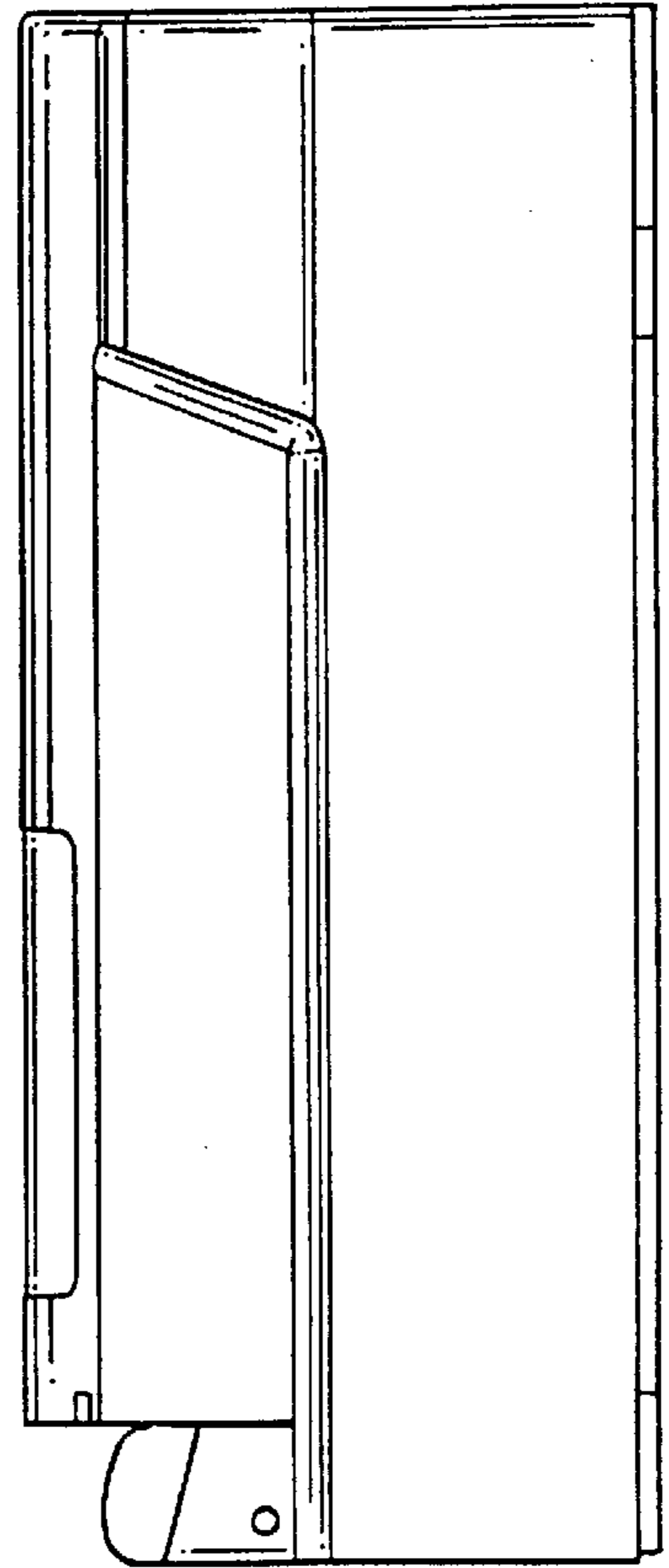


FIG. 13

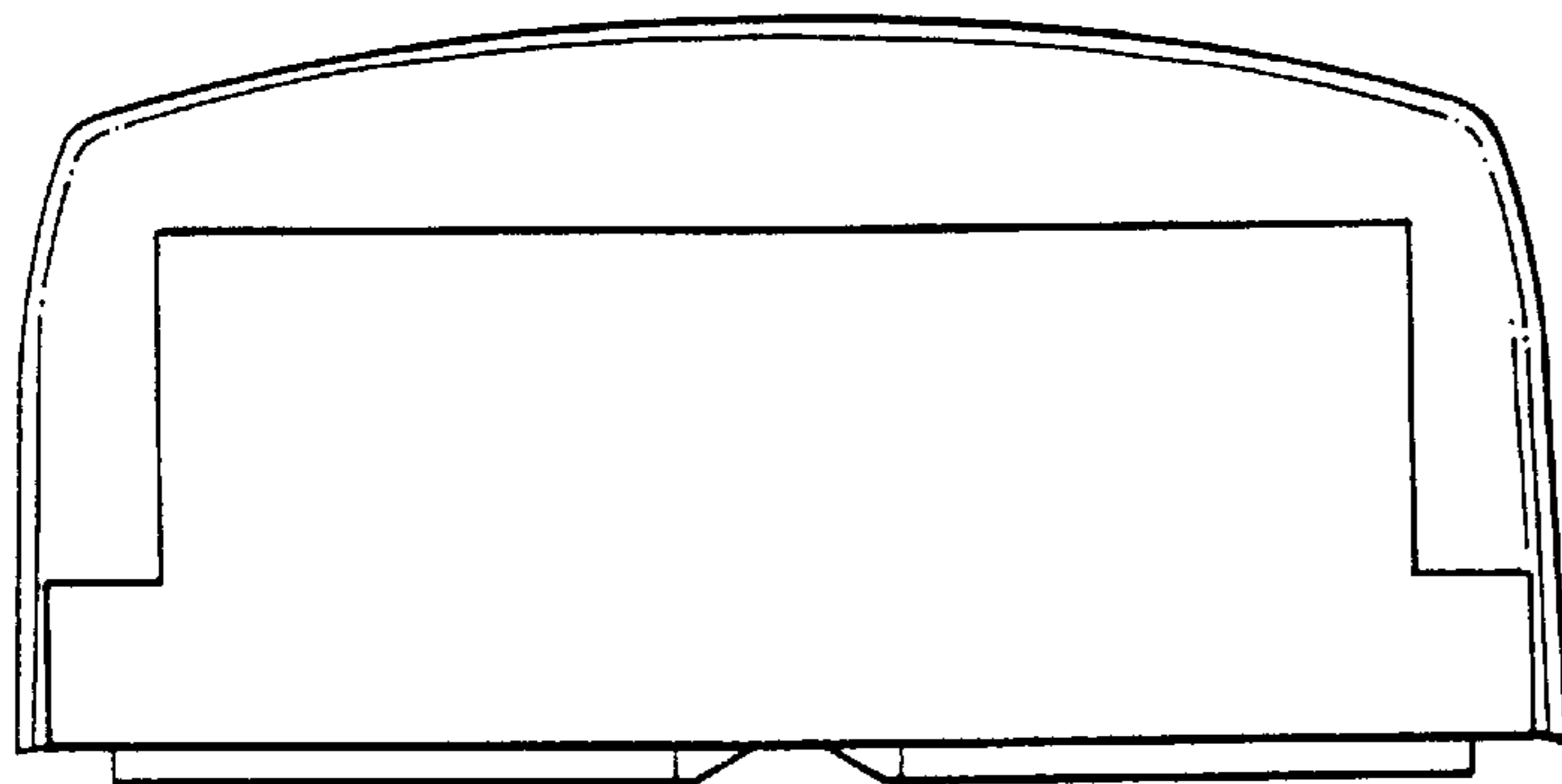


FIG. 14

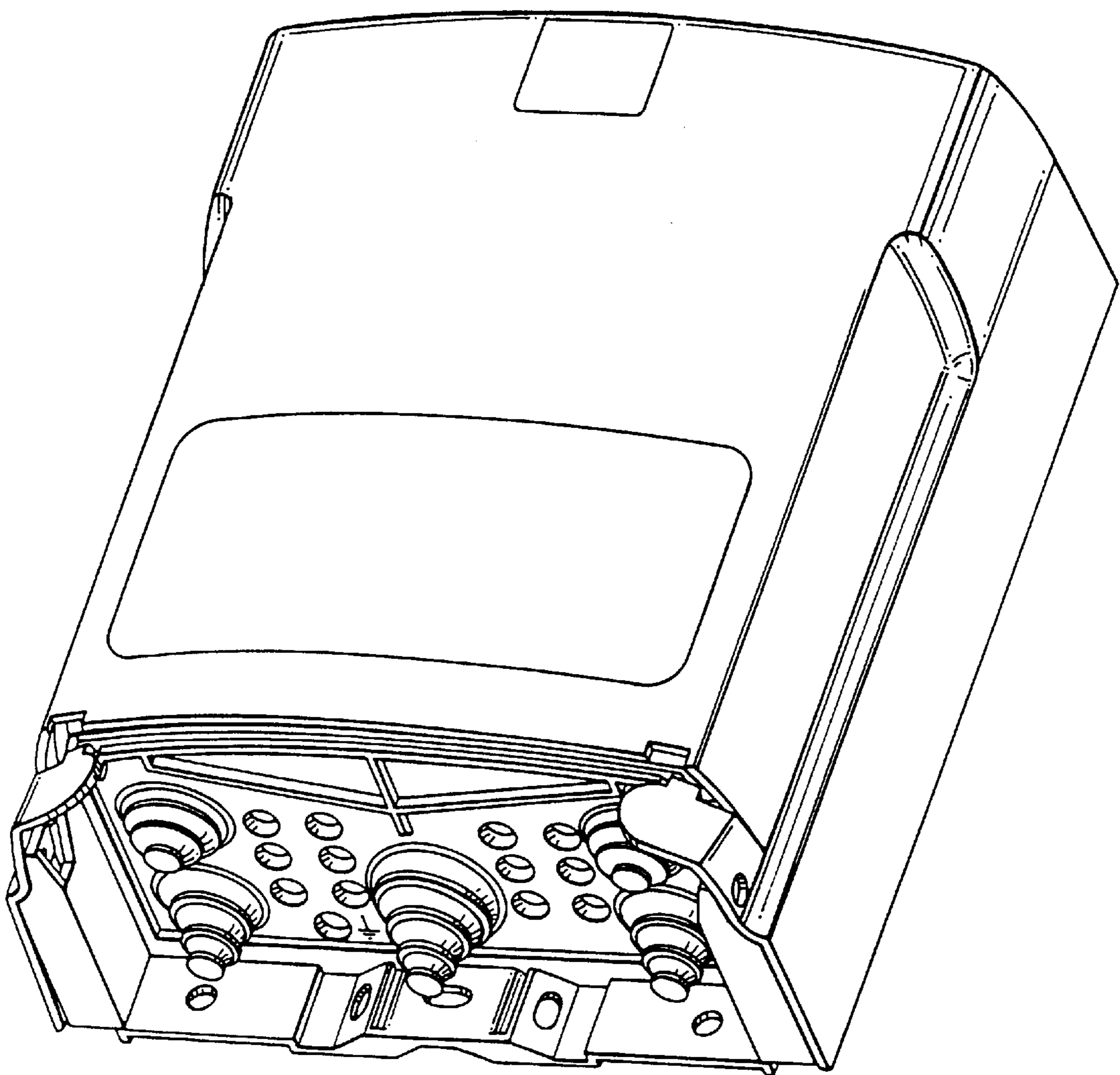


FIG. 15

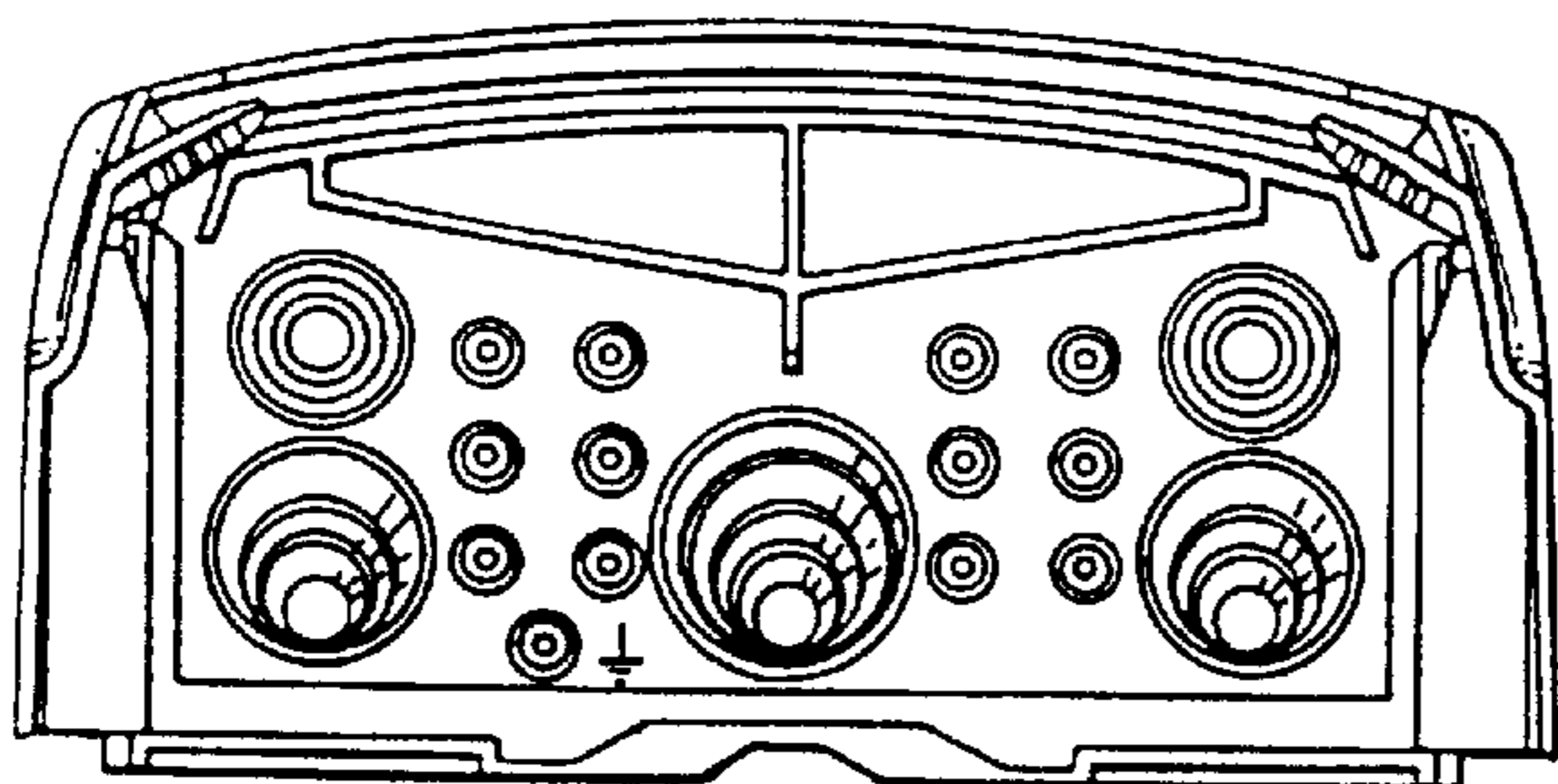


FIG. 16

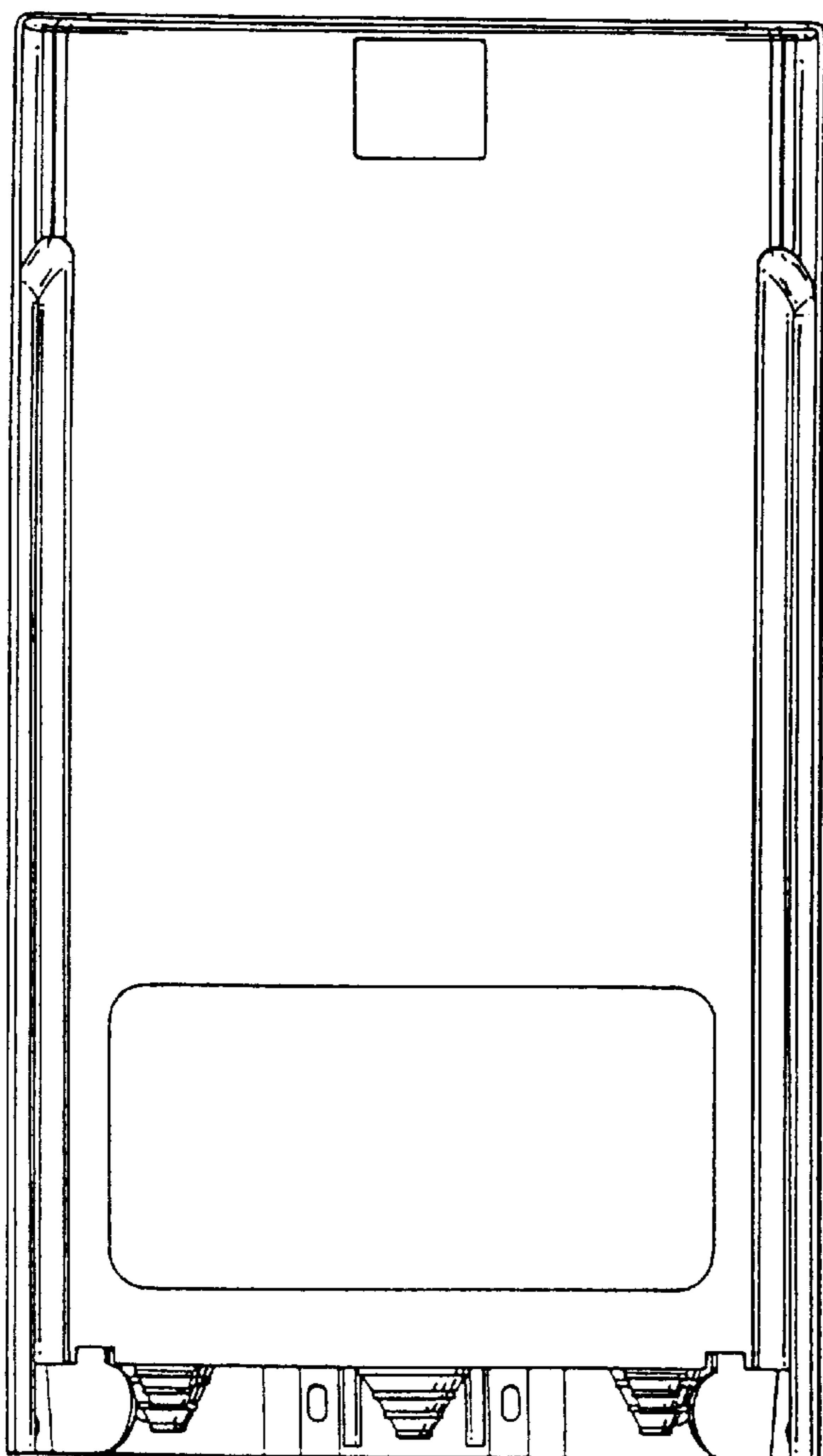


FIG. 17

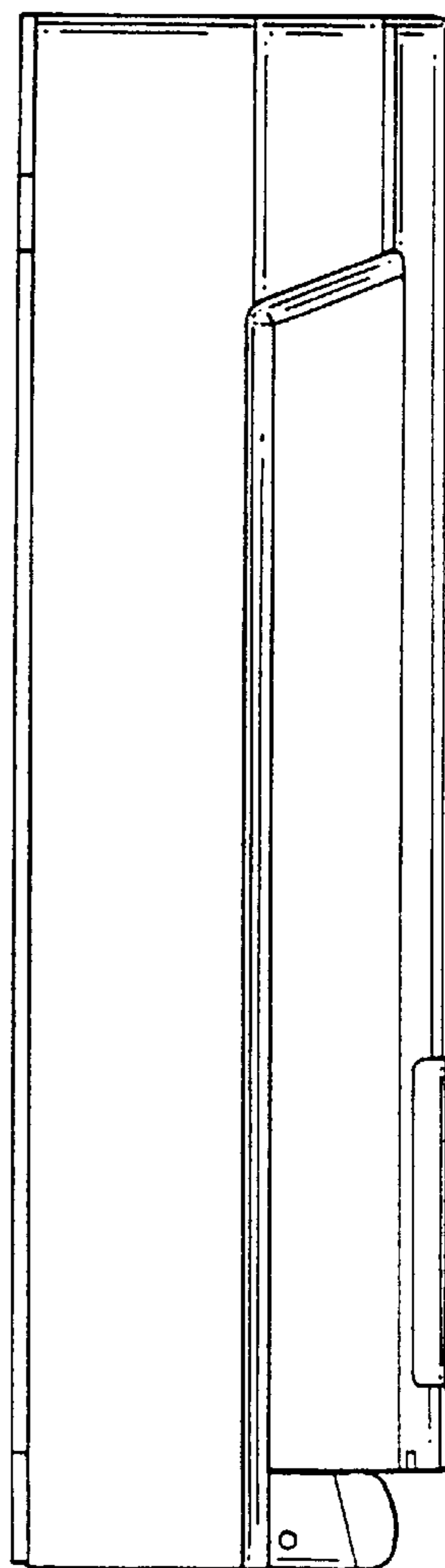


FIG. 18

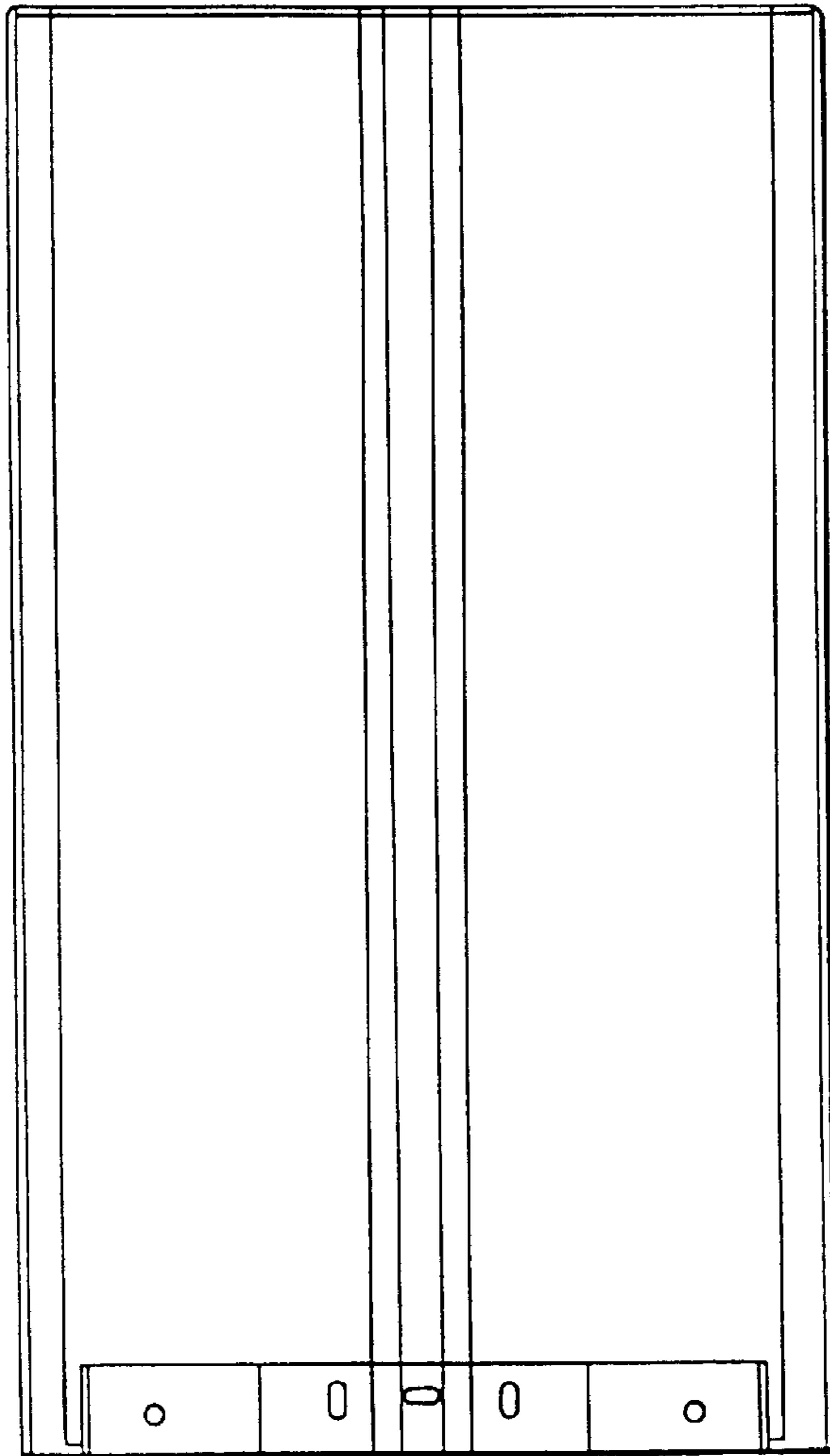


FIG. 19

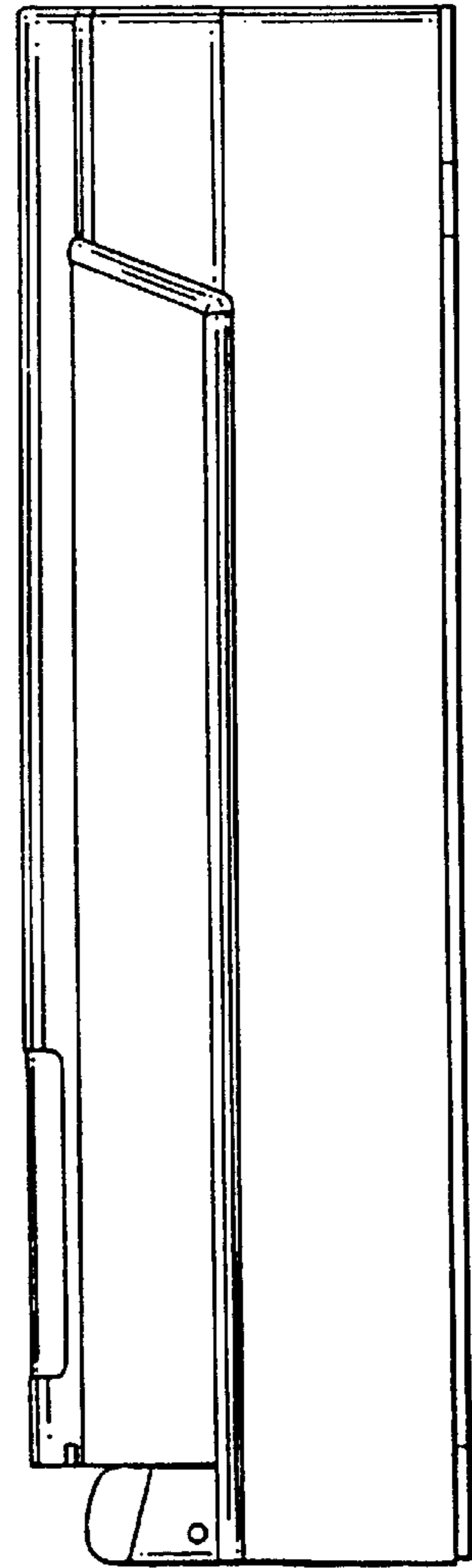


FIG. 20

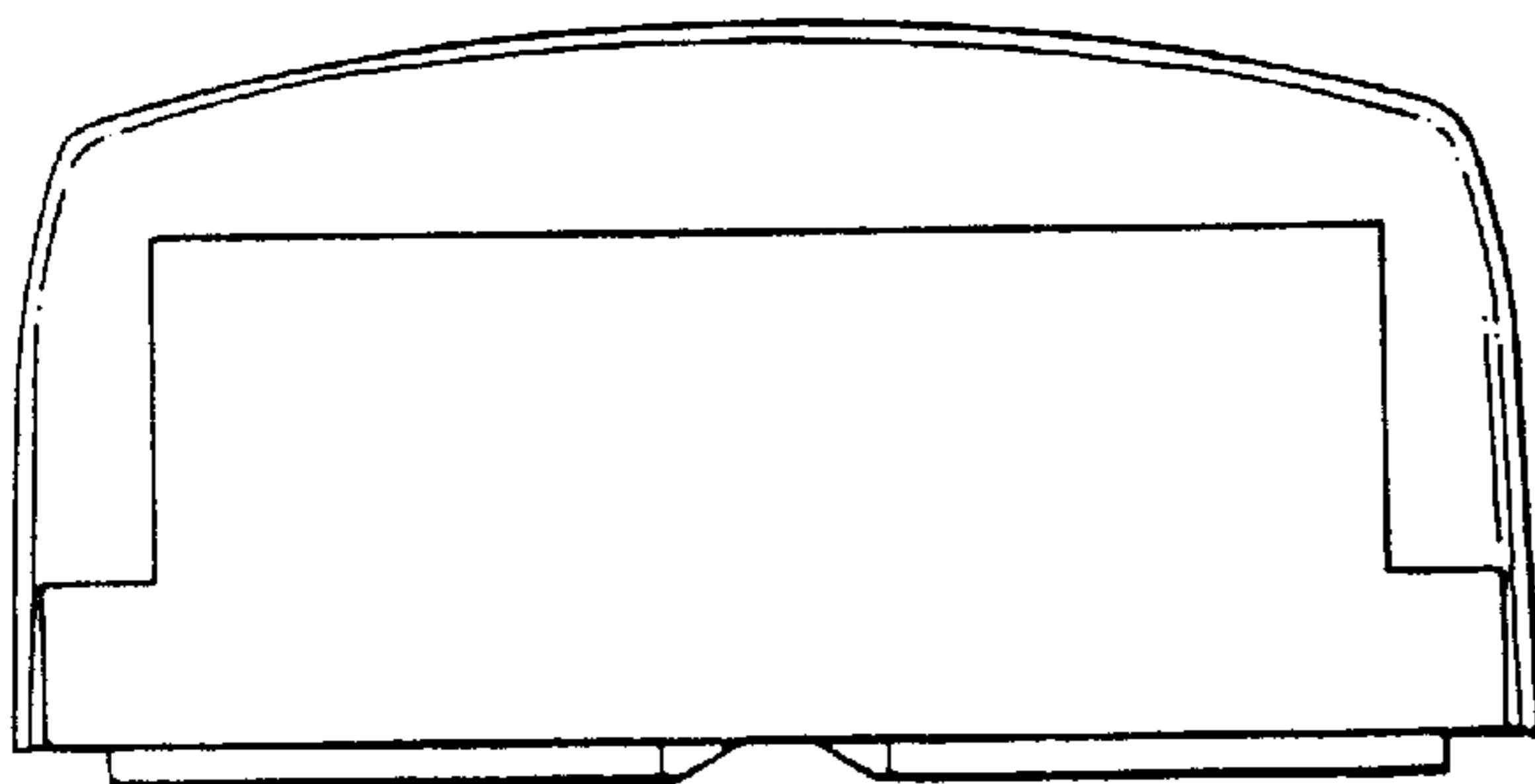


FIG. 21

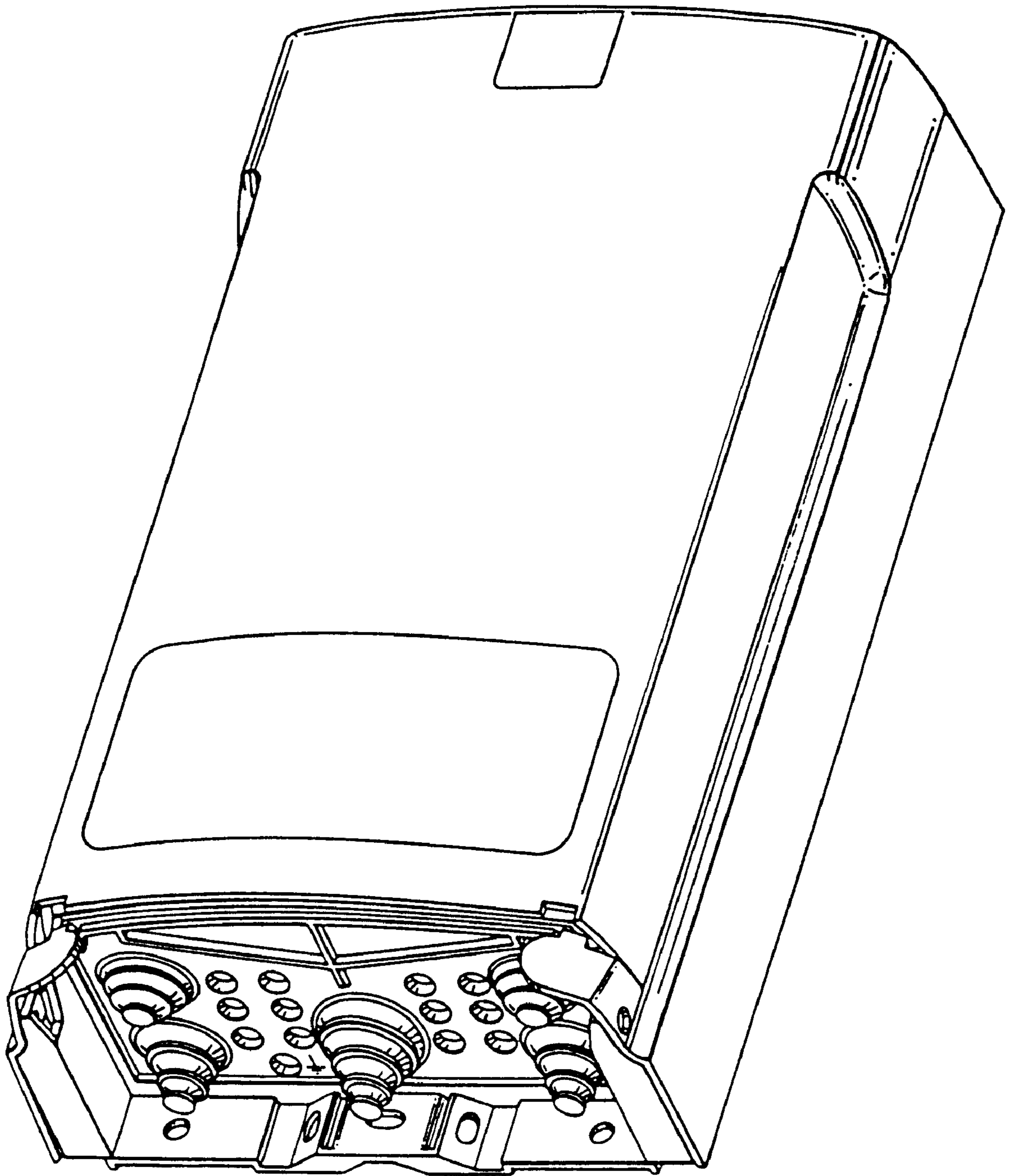


FIG. 22

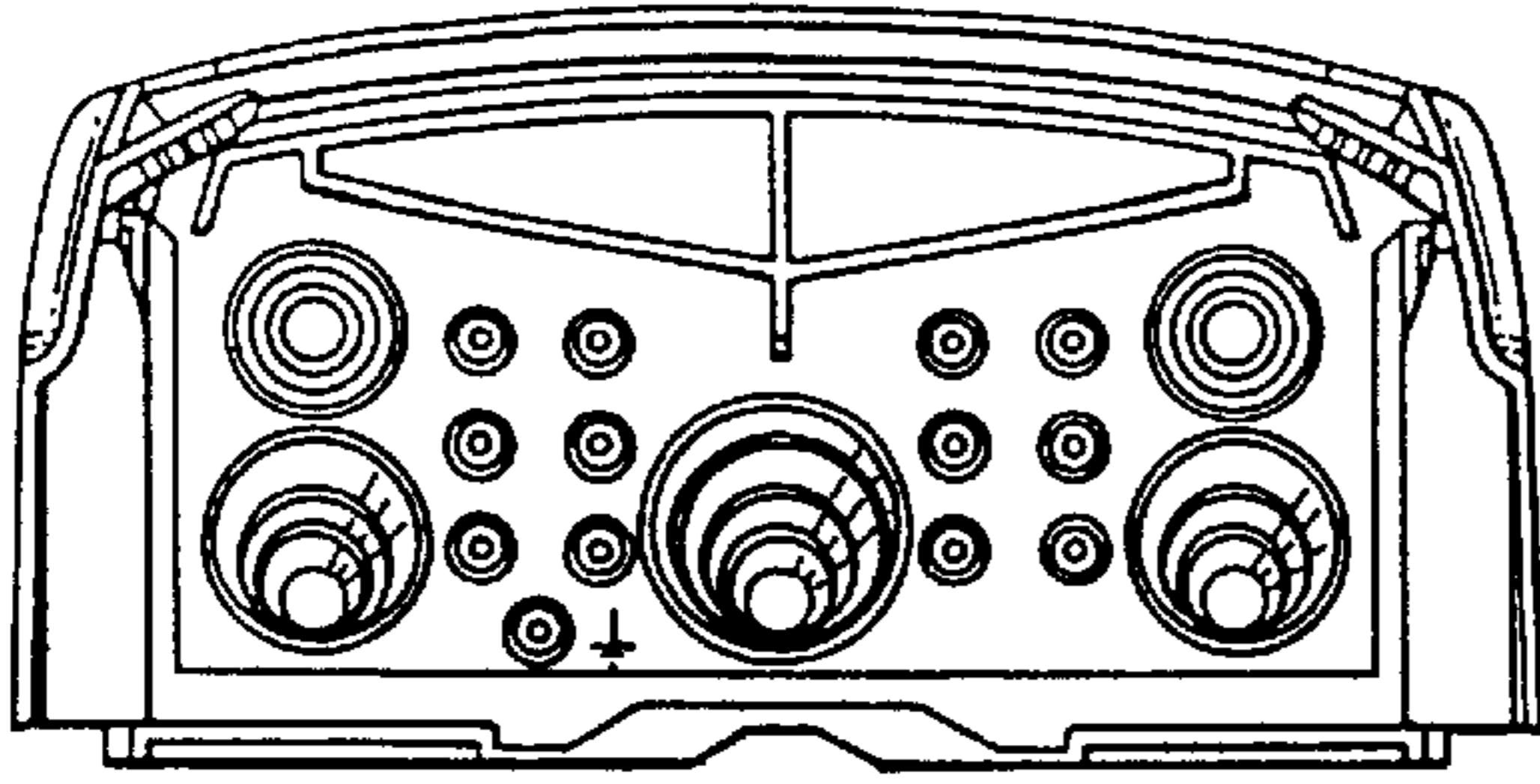


FIG. 23

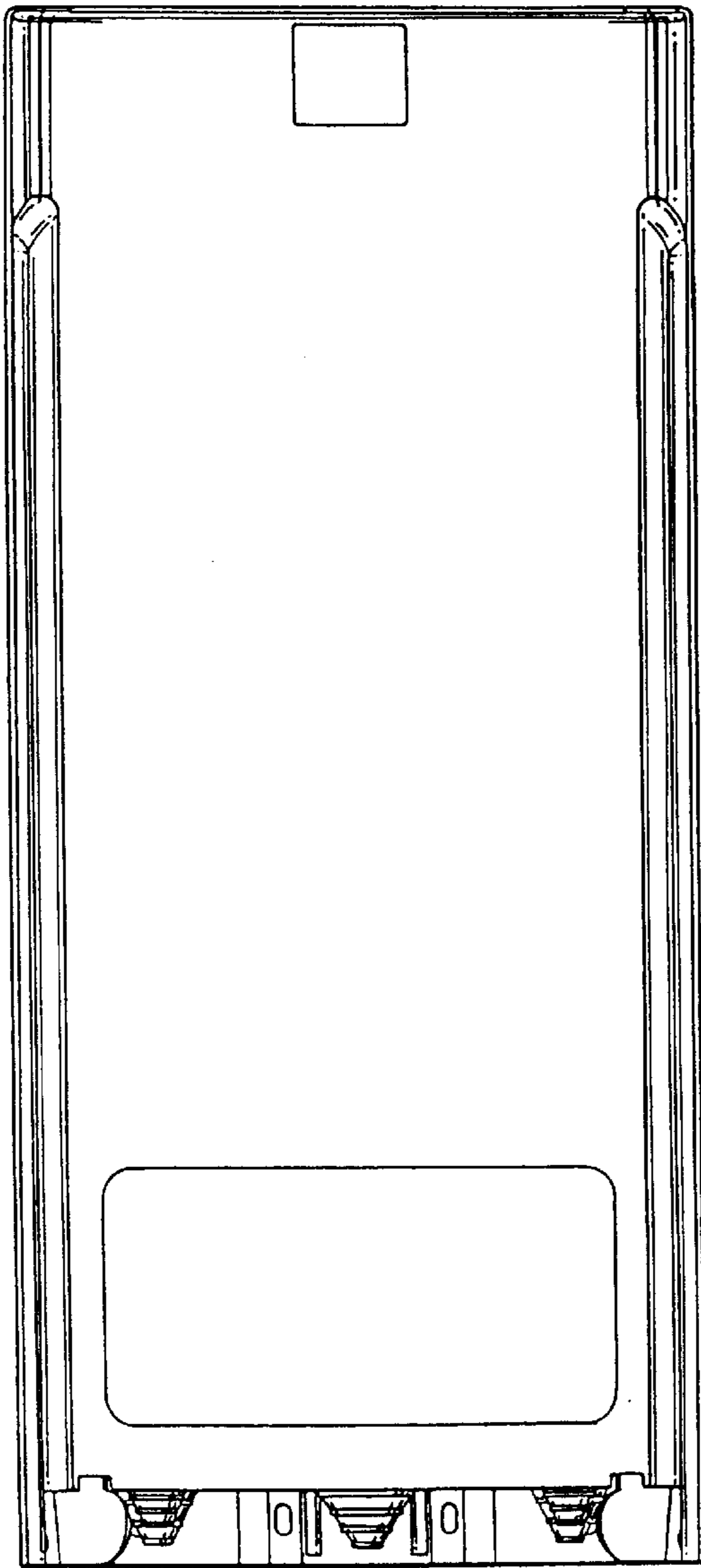


FIG. 24

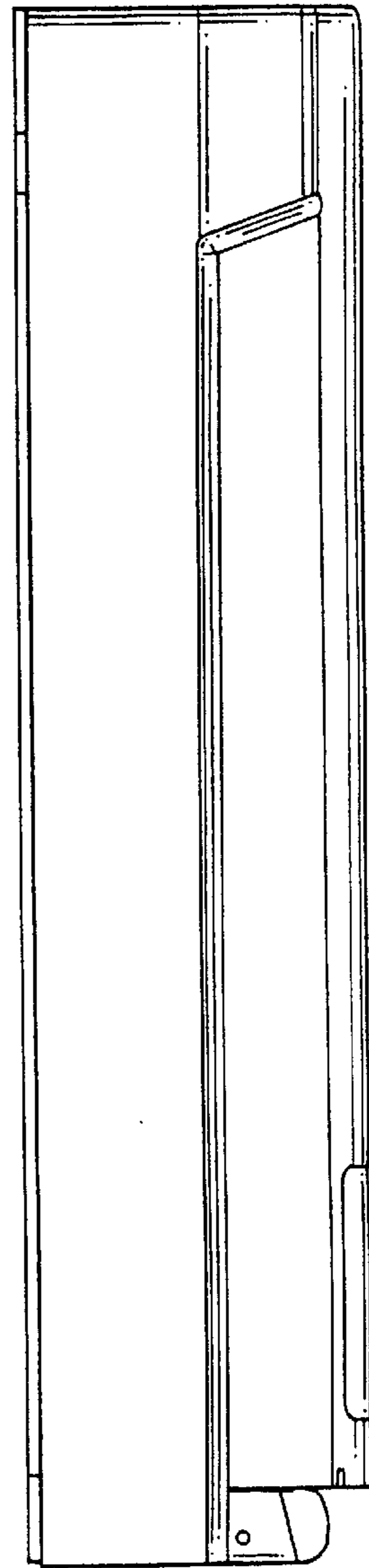


FIG. 25

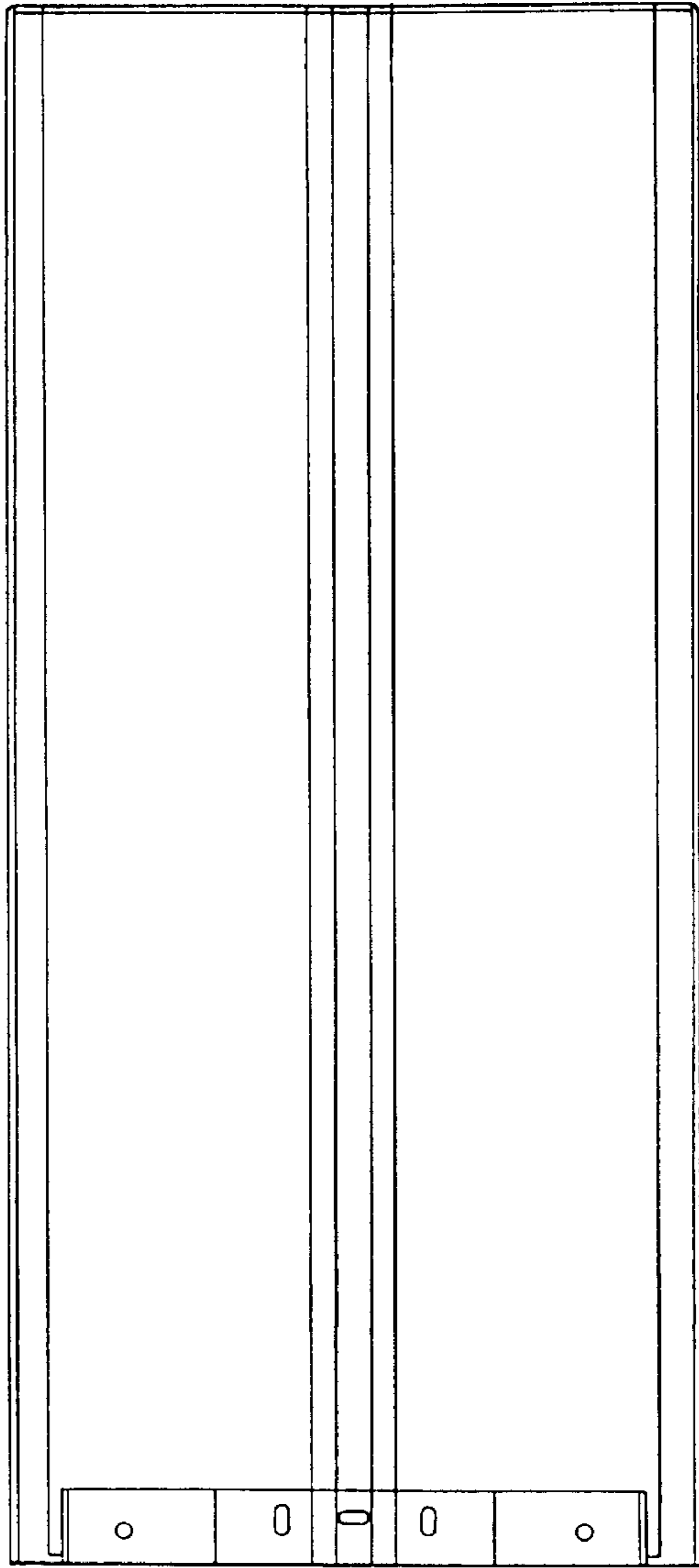


FIG. 26

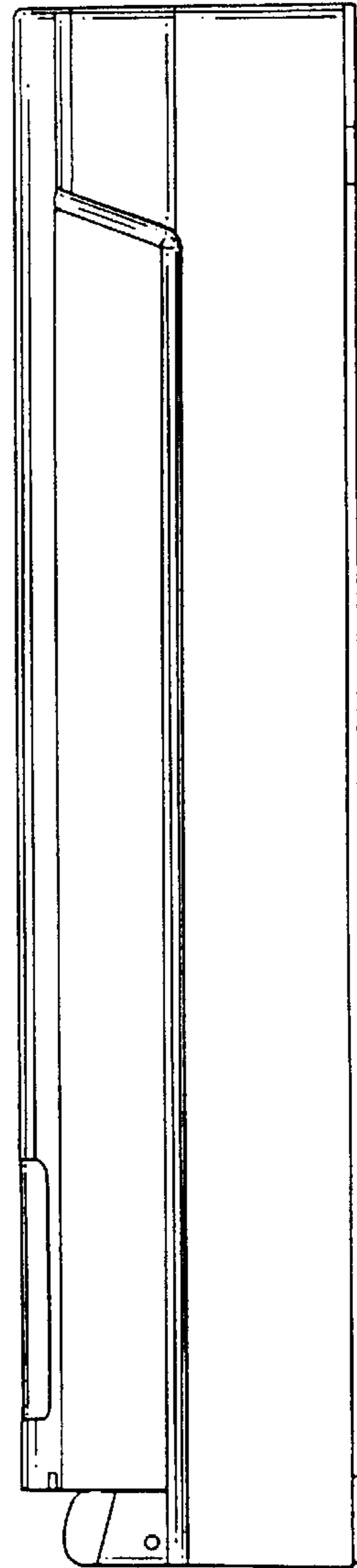


FIG. 27

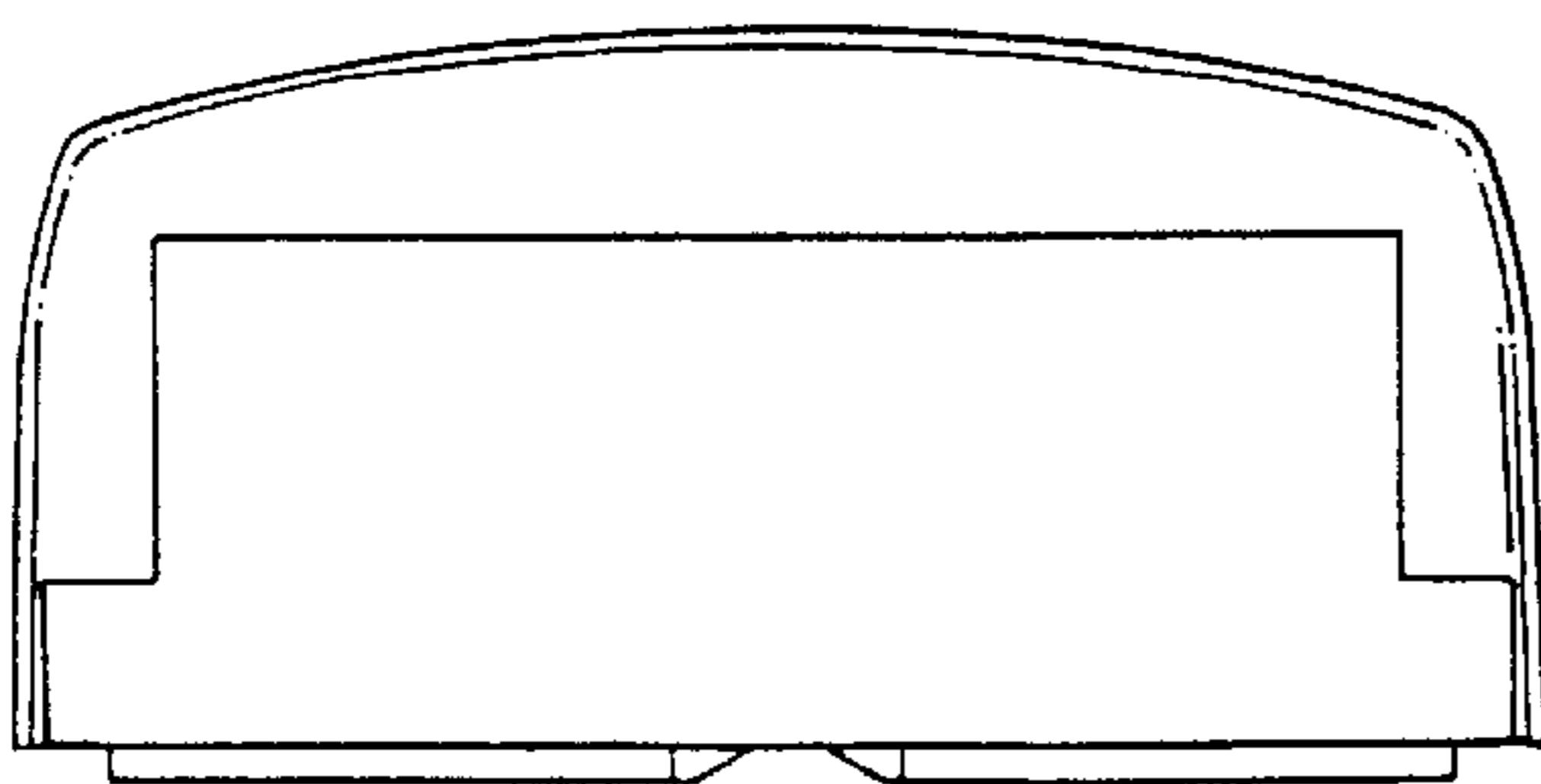


FIG. 28

