



US00D422564S

**United States Patent** [19]  
**Arizpe**

[11] **Patent Number: Des. 422,564**

[45] **Date of Patent: \*\* Apr. 11, 2000**

[54] **ACCESS DOOR FOR FIBER OPTIC WALL MOUNT BOX**

[75] Inventor: **Ronald E. Arizpe**, Watagua, Tex.

[73] Assignee: **Siecor Corporation**, Hickory, N.C.

[\*\*] Term: **14 Years**

[21] Appl. No.: **29/076,253**

[22] Filed: **Sep. 2, 1997**

[51] **LOC (6) Cl.** ..... **13-03**

[52] **U.S. Cl.** ..... **D13/152**

[58] **Field of Search** ..... D13/152, 177,  
D13/184, 199; 385/134, 135; 312/223.1,  
324, 326

[56] **References Cited**

**U.S. PATENT DOCUMENTS**

4,003,610	1/1977	Main	312/100
5,274,731	12/1993	White	385/135
5,734,776	3/1998	Puetz	385/134
5,823,646	10/1998	Arizpe et al.	312/324

*Primary Examiner*—Joel Sincavage

[57] **CLAIM**

The ornamental design for an access door for fiber optic wall mount box, as shown and described.

**DESCRIPTION**

FIG. 1 is a perspective view of a first embodiment of an

access door according to the present invention on a wall mount box, the door being opaque;

FIG. 2 is a perspective view of second embodiment of an access door according to the present invention on a wall mount box, the second embodiment being a mirror image of the access door of FIG. 1;

FIG. 3 is a front view of the access door of FIG. 1;

FIG. 4 is a right side view thereof;

FIG. 5 is a back view thereof;

FIG. 6 is a left view thereof;

FIG. 7 is a top view thereof;

FIG. 8 is a bottom view thereof;

FIG. 9 is a perspective view of a third embodiment of an access door according to the present invention on a wall mount box, the door being transparent;

FIG. 10 is a perspective view of a fourth embodiment an access door according to the present invention on a wall mount box, the fourth embodiment being a mirror image of the access door of FIG. 9;

FIG. 11 is a front view of the access door of FIG. 9;

FIG. 12 is a right side view thereof;

FIG. 13 is a back view thereof;

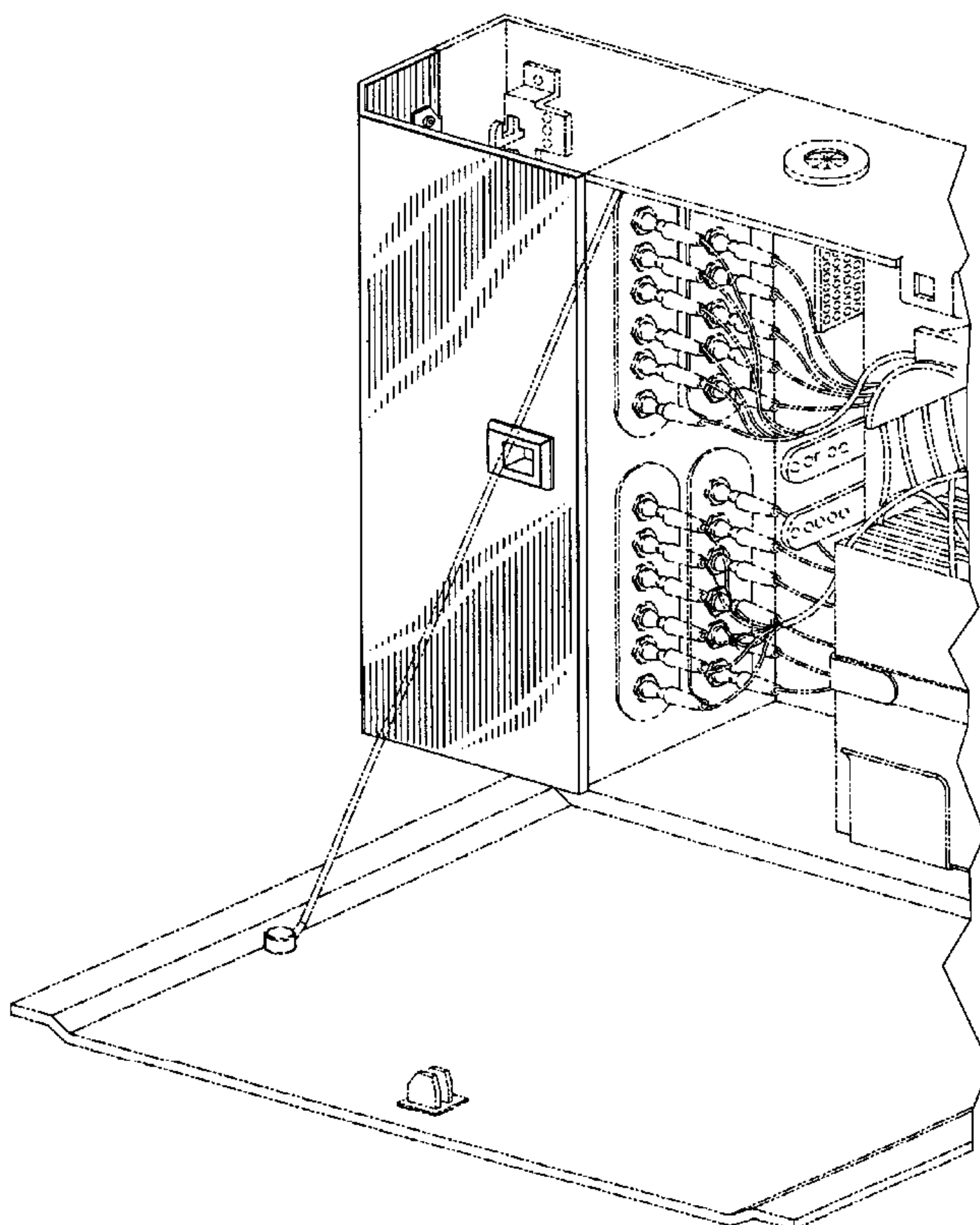
FIG. 14 is a left view of thereof;

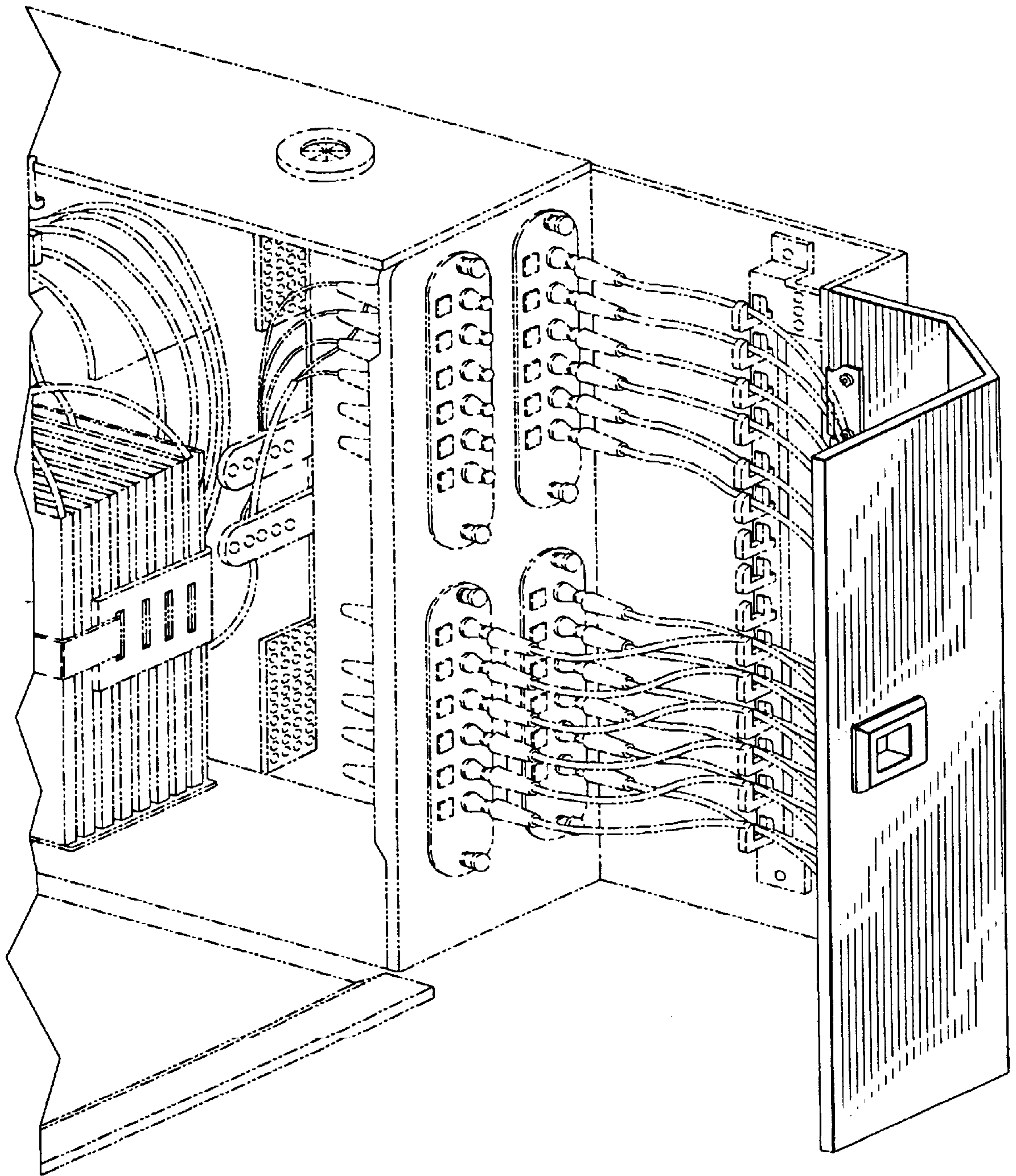
FIG. 15 is a top view thereof; and,

FIG. 16 is a bottom view thereof.

The portions of the wall mount box shown in FIGS. 1, 2, 9, and 10 in broken lines is for illustrative purposes only and forms no part of the claimed design.

**1 Claim, 10 Drawing Sheets**





*Fig. 1*



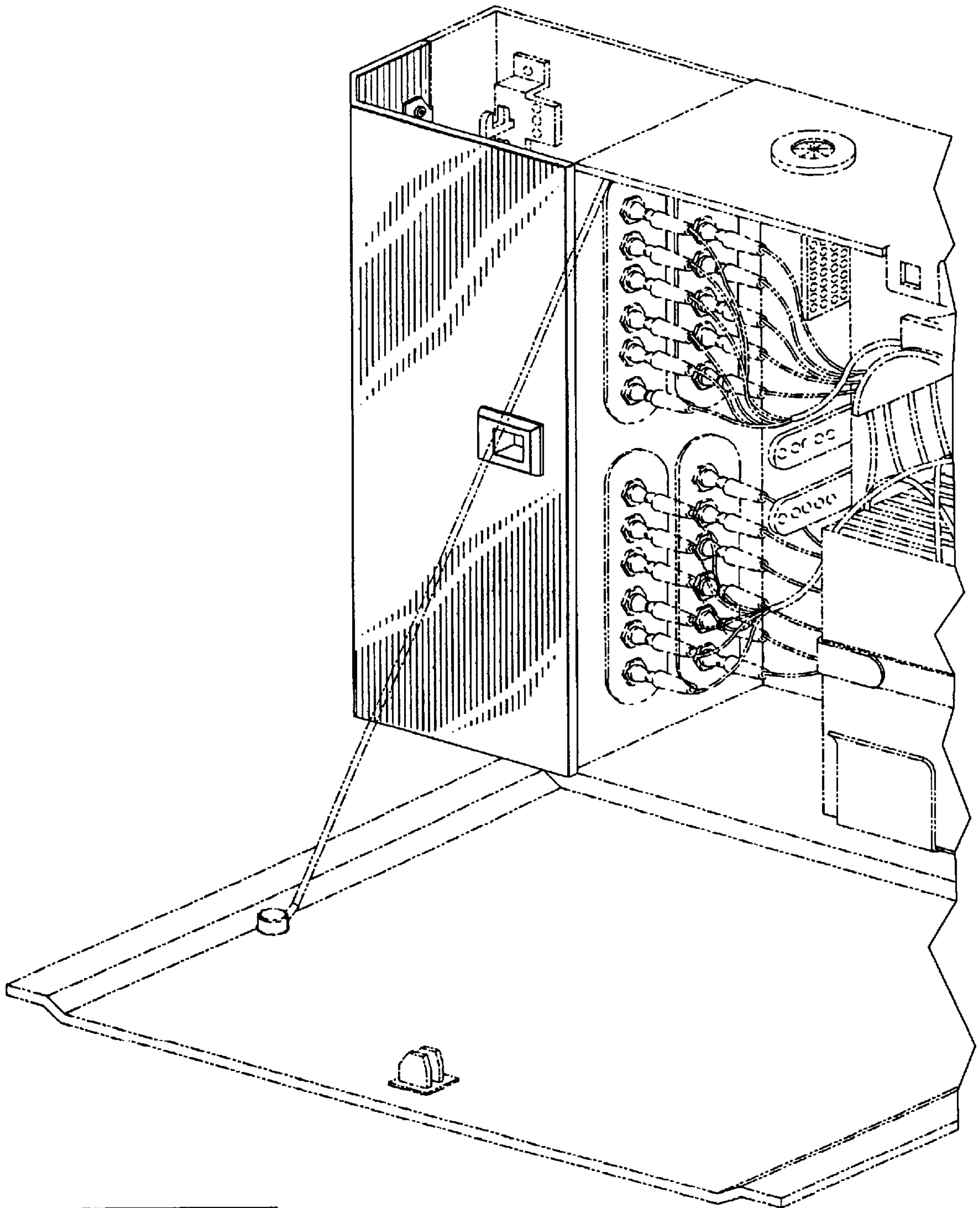


Fig. 2

Fig. 3

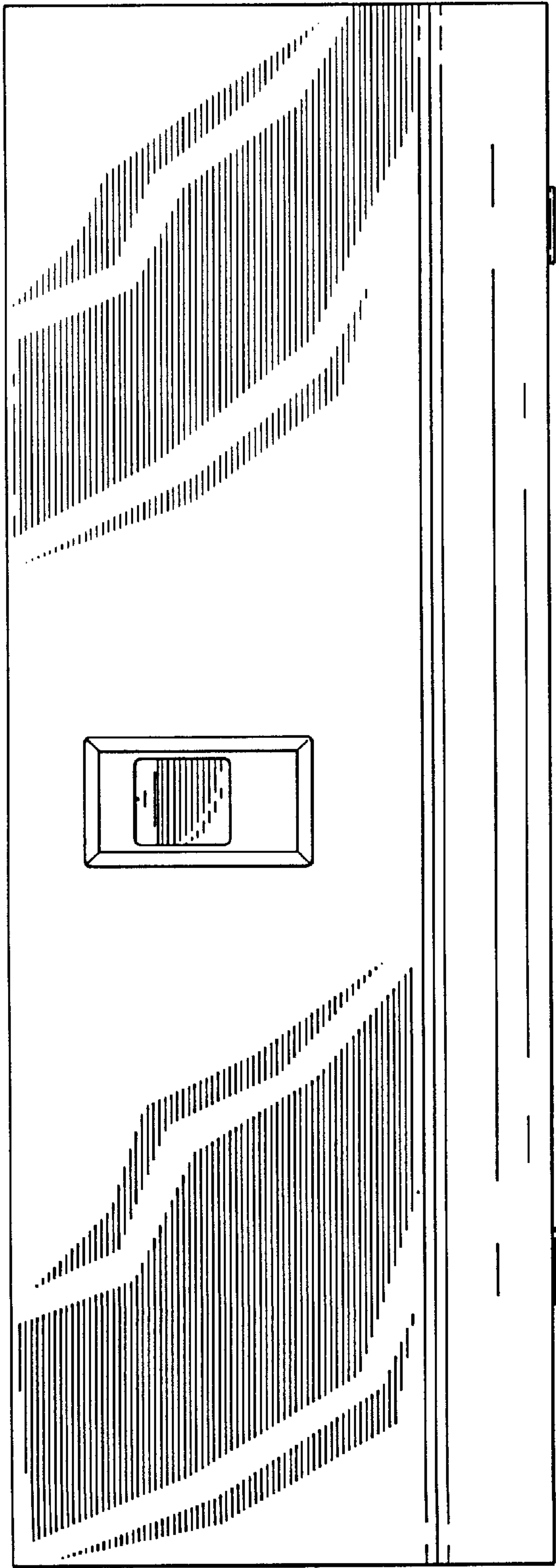


Fig. 4

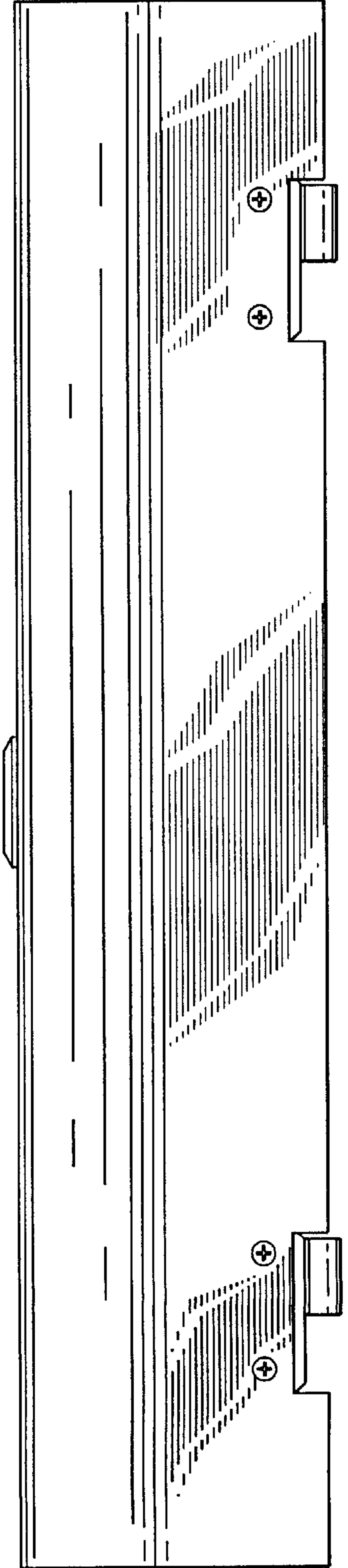


Fig. 5

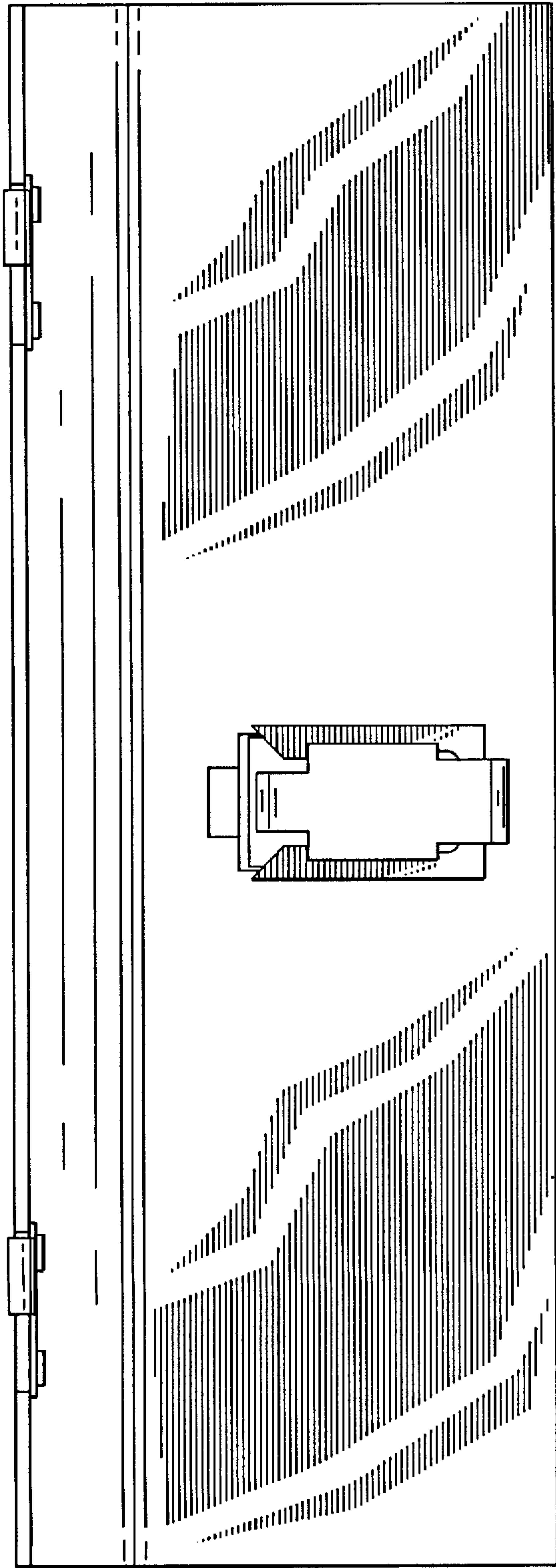
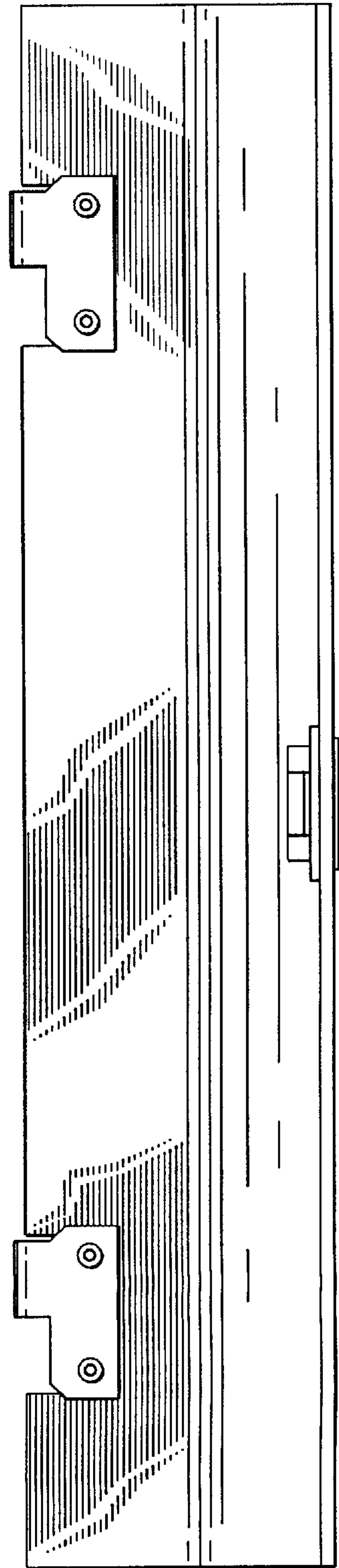
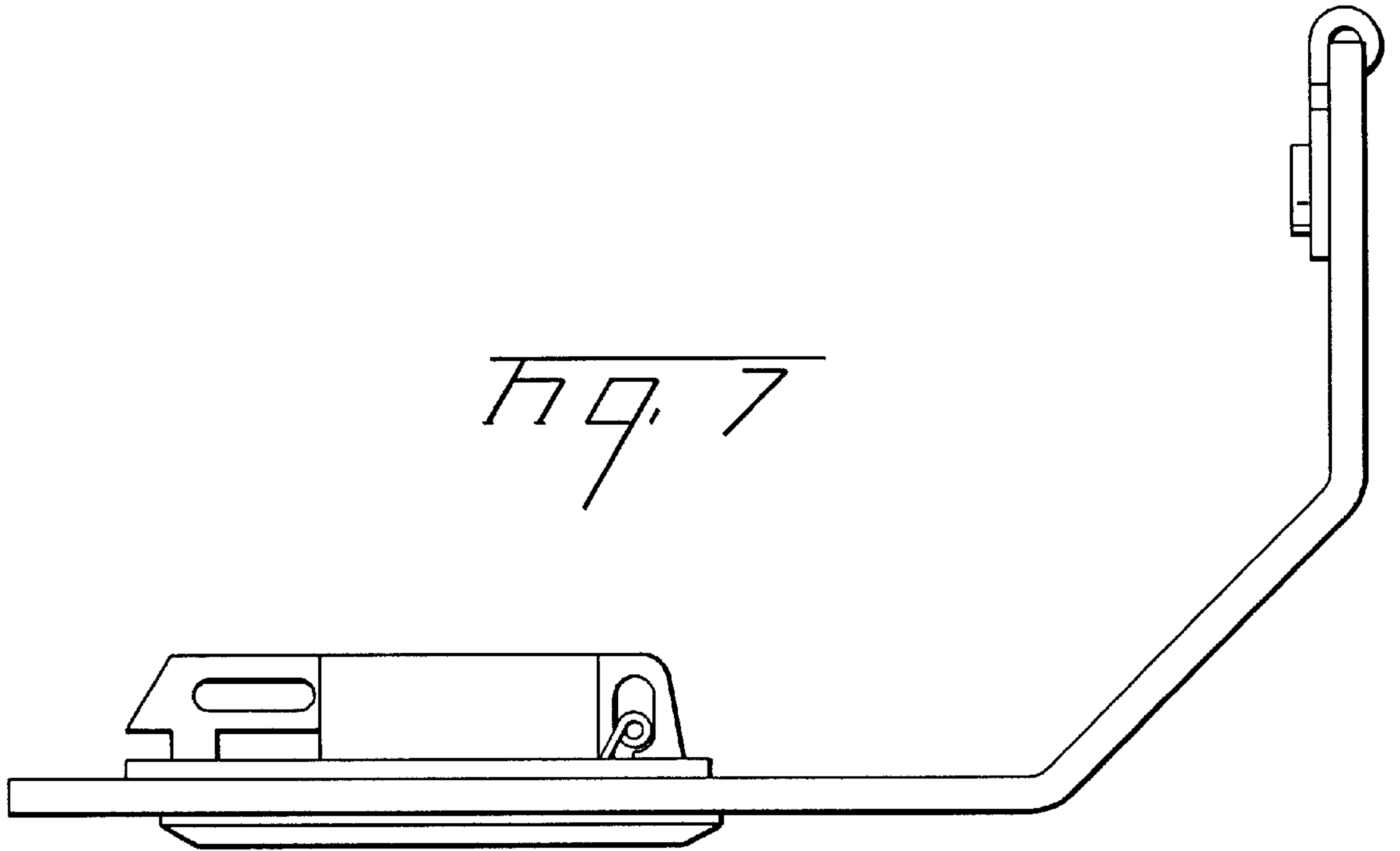


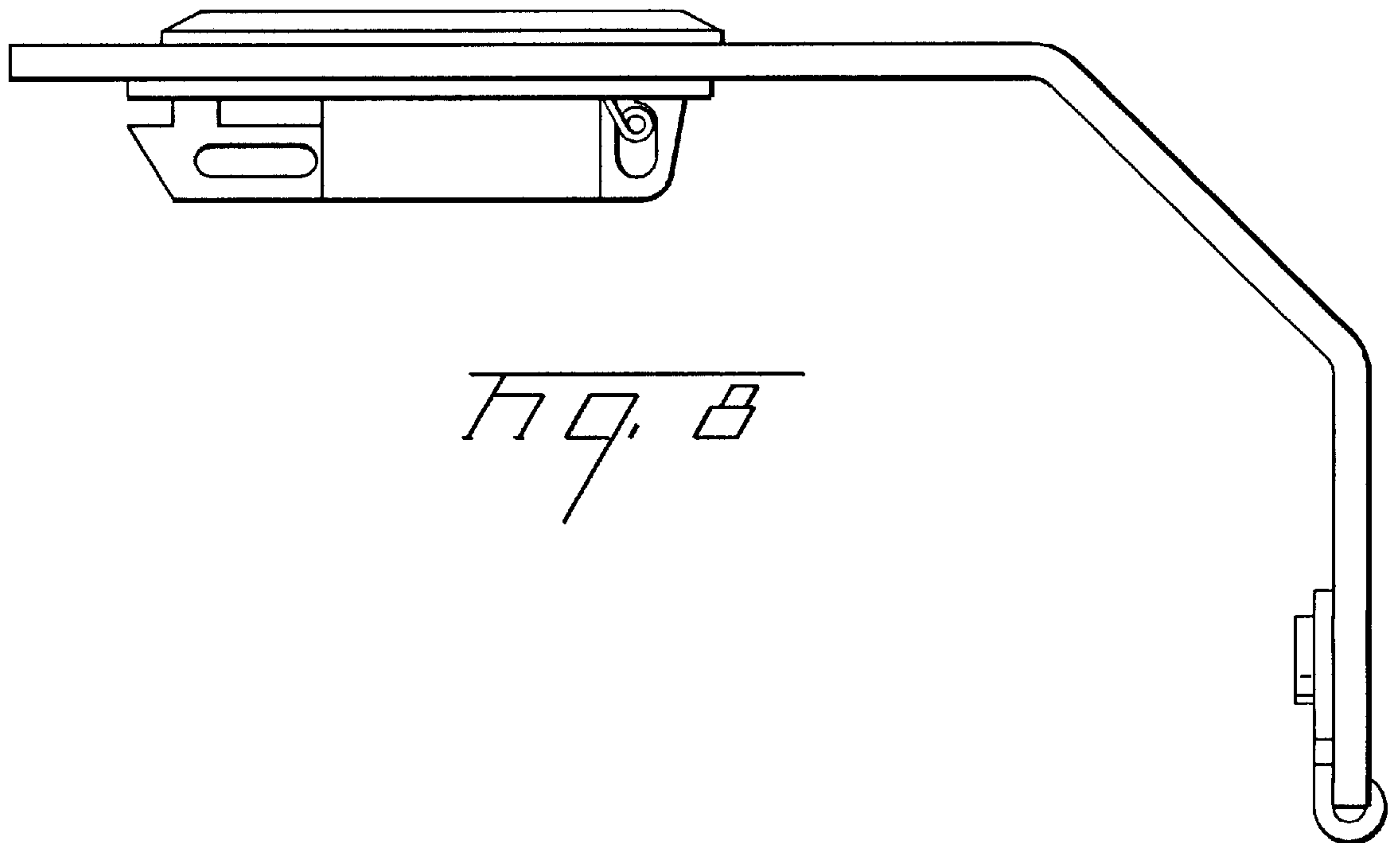
Fig. 6



*Fig. 7*



*Fig. 8*





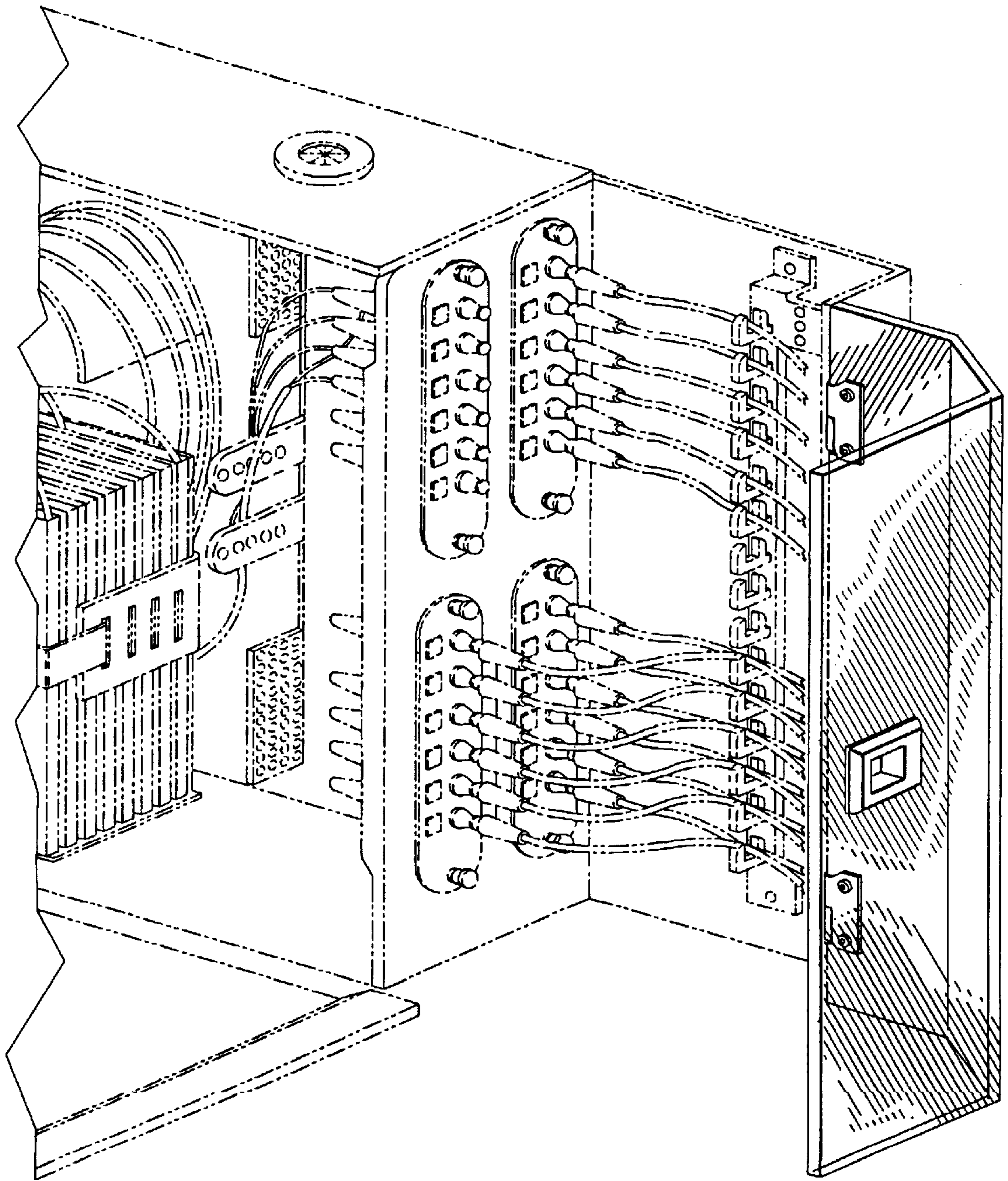


Fig. 9

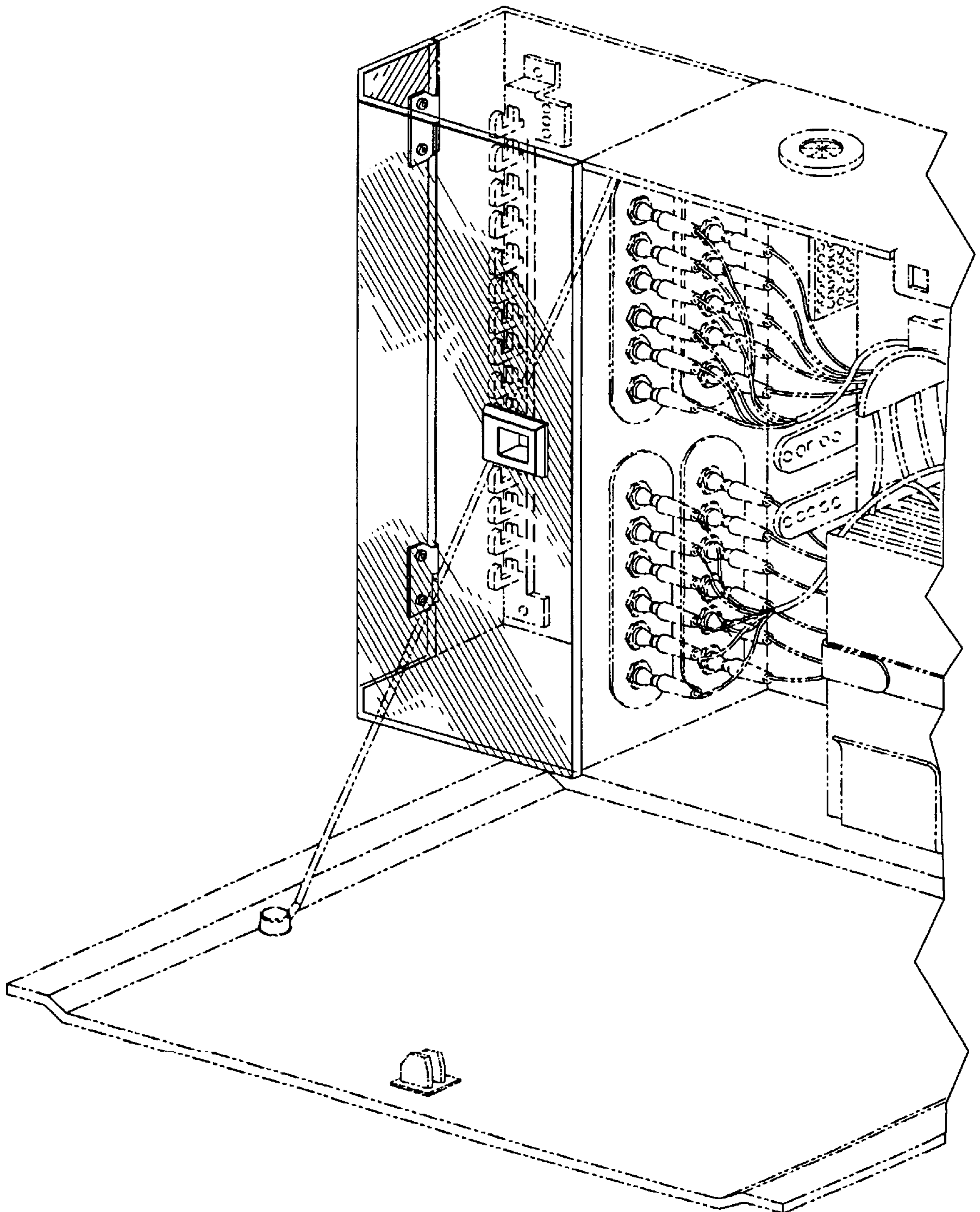
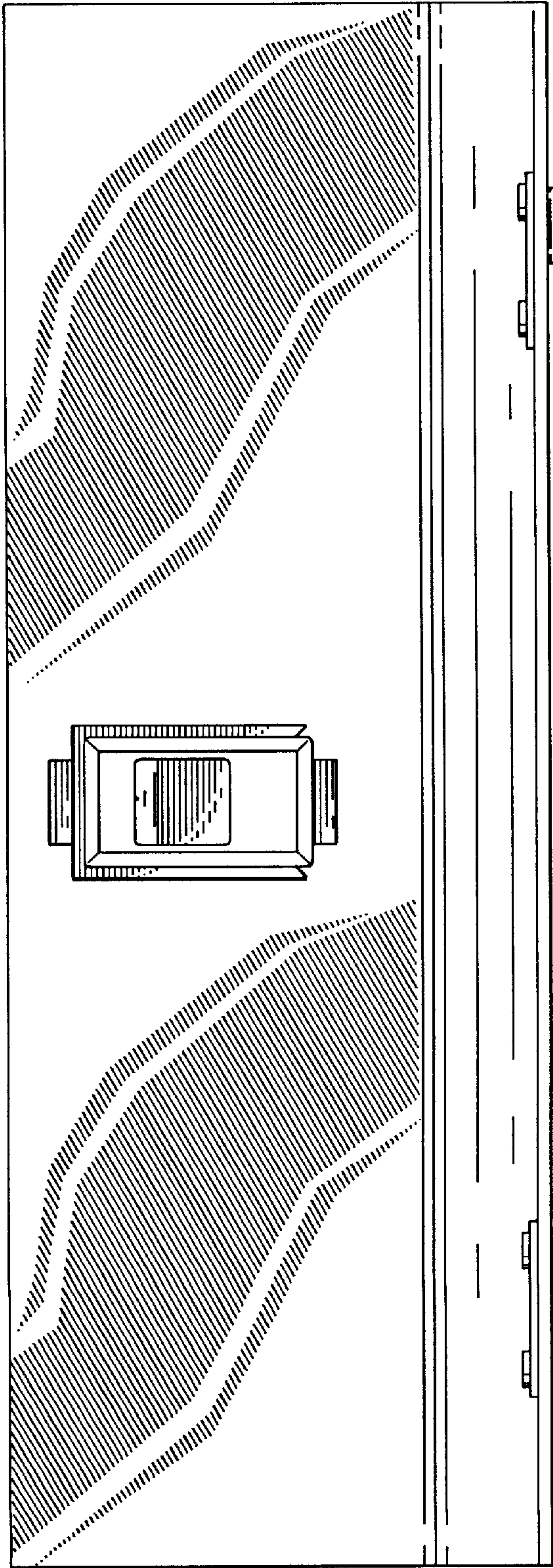


Fig. 10



*Fig. 11*



*Fig. 12*

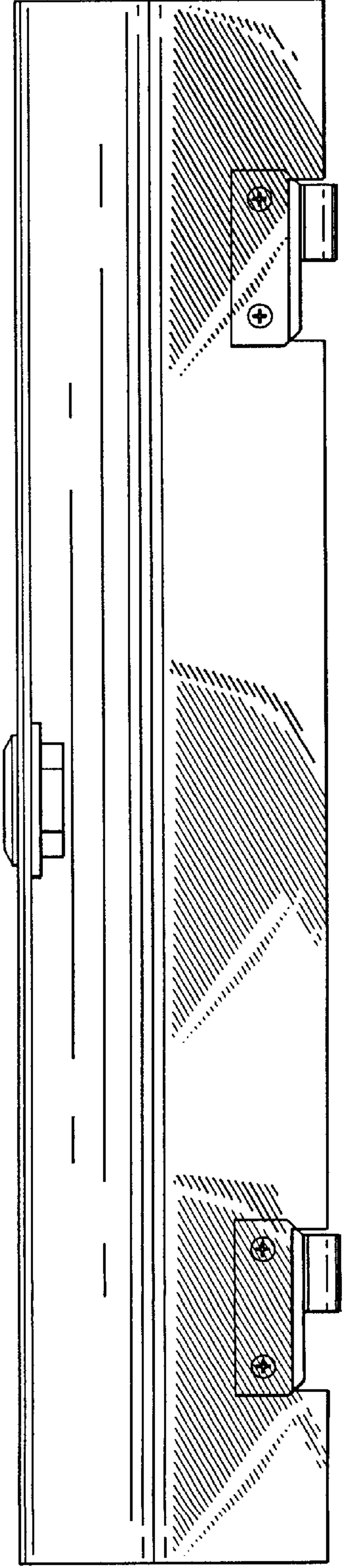




Fig. 13

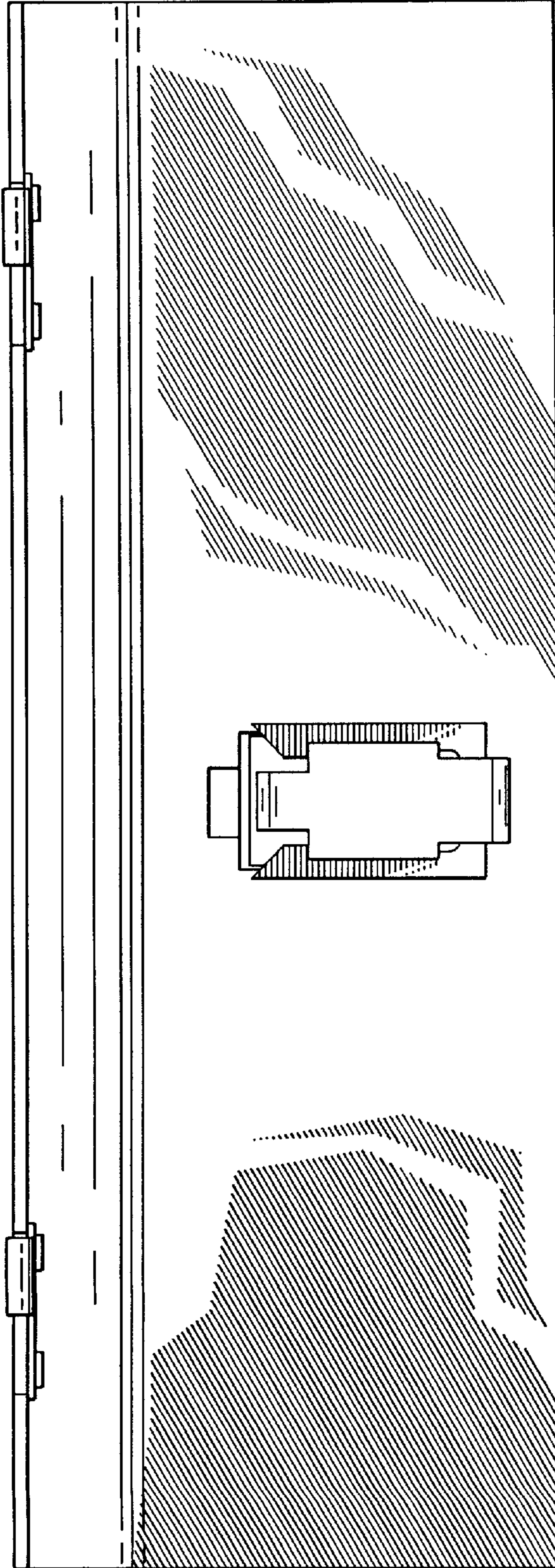
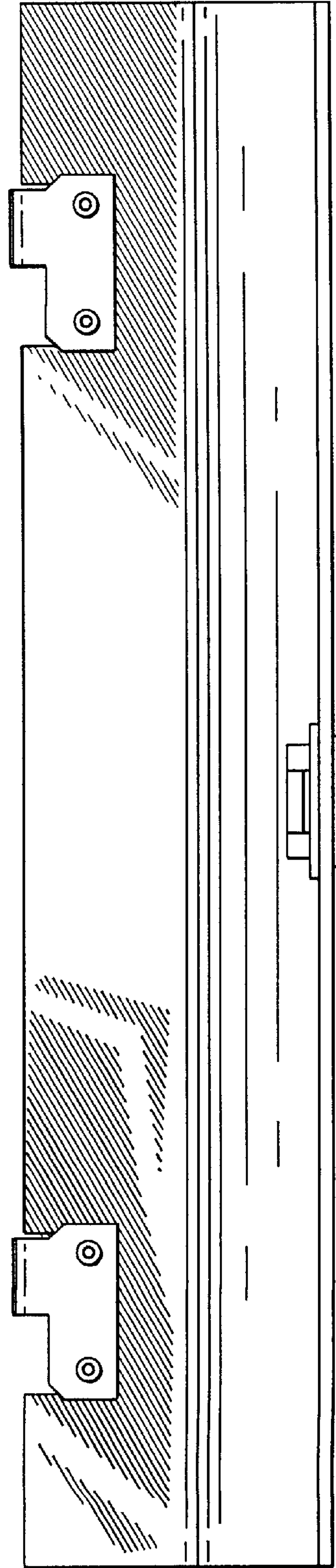
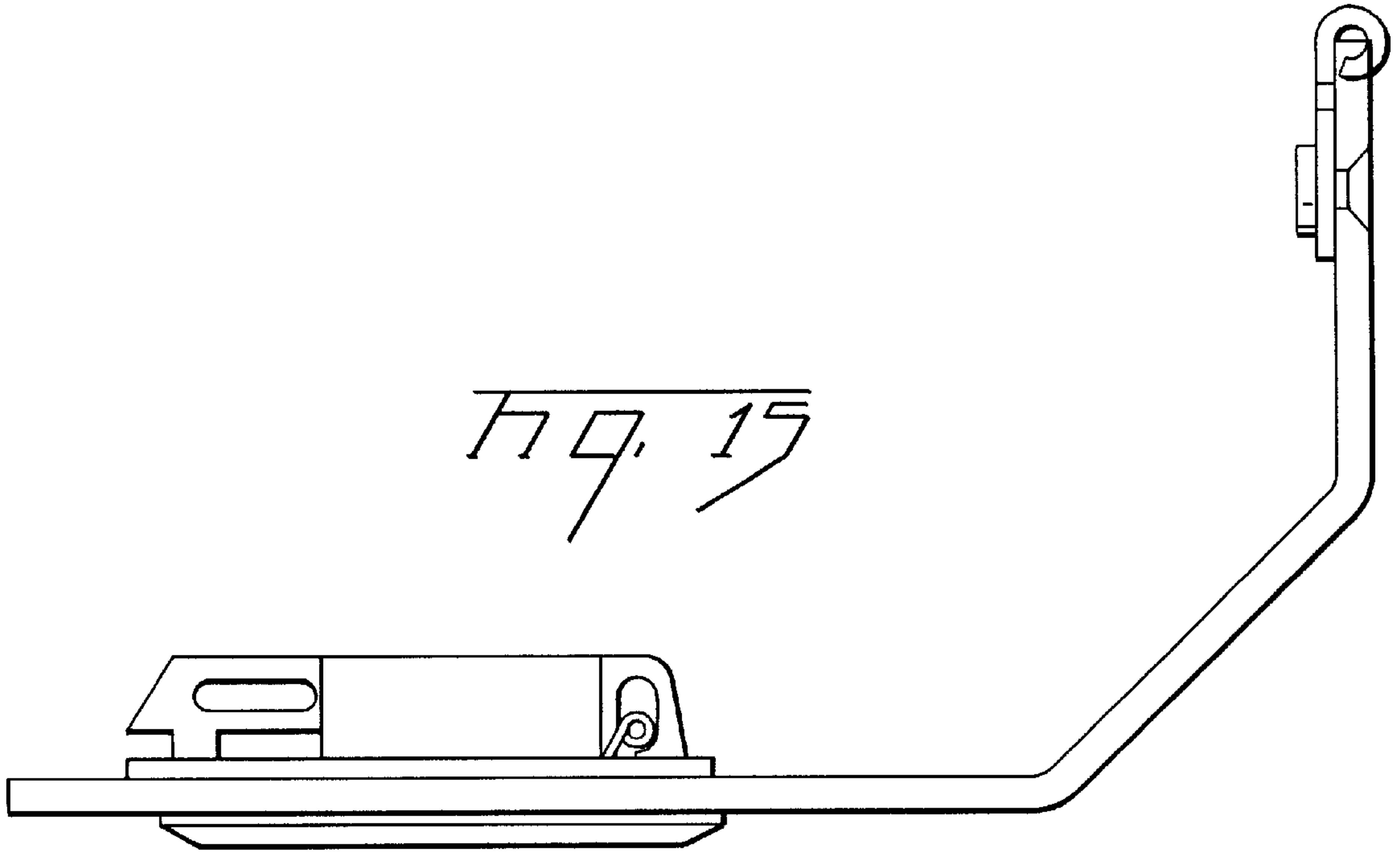


Fig. 14



*Fig. 15*



*Fig. 16*

