



US00D422563S

United States Patent [19] Wu

[11] **Patent Number: Des. 422,563**

[45] **Date of Patent: ** Apr. 11, 2000**

[54] **STACKED CONNECTOR**

[75] Inventor: **Kun-Tsan Wu**, Santa Clara, Calif.

[73] Assignee: **Hon Hai Precision Ind. Co., Ltd.**,
Taipei Hsien, Taiwan

[**] Term: **14 Years**

[21] Appl. No.: **29/111,677**

[22] Filed: **Oct. 1, 1999**

[30] **Foreign Application Priority Data**

Jul. 8, 1999 [TW] Taiwan 88304484

[51] **LOC (6) Cl.** **13-03**

[52] **U.S. Cl.** **D13/147**

[58] **Field of Search** D13/147; D14/256;
439/344, 676, 535, 536, 538, 540.1, 541.5,
571, 573

[56] **References Cited**

U.S. PATENT DOCUMENTS

D. 317,750 6/1991 Bellomo et al. D13/147

4,971,572	11/1990	Hopper	439/676 X
5,302,140	4/1994	Arnett	439/557
5,531,611	7/1996	Reed et al.	439/540.1
5,531,612	7/1996	Goodall et al.	439/676 X
5,562,507	10/1996	Kan	439/676
5,639,267	6/1997	Loudermilk	439/701
5,809,137	9/1998	McLean et al.	379/438
5,924,890	7/1999	Morin et al.	439/490

Primary Examiner—Joel Sincavage
Attorney, Agent, or Firm—Wei Te Chung

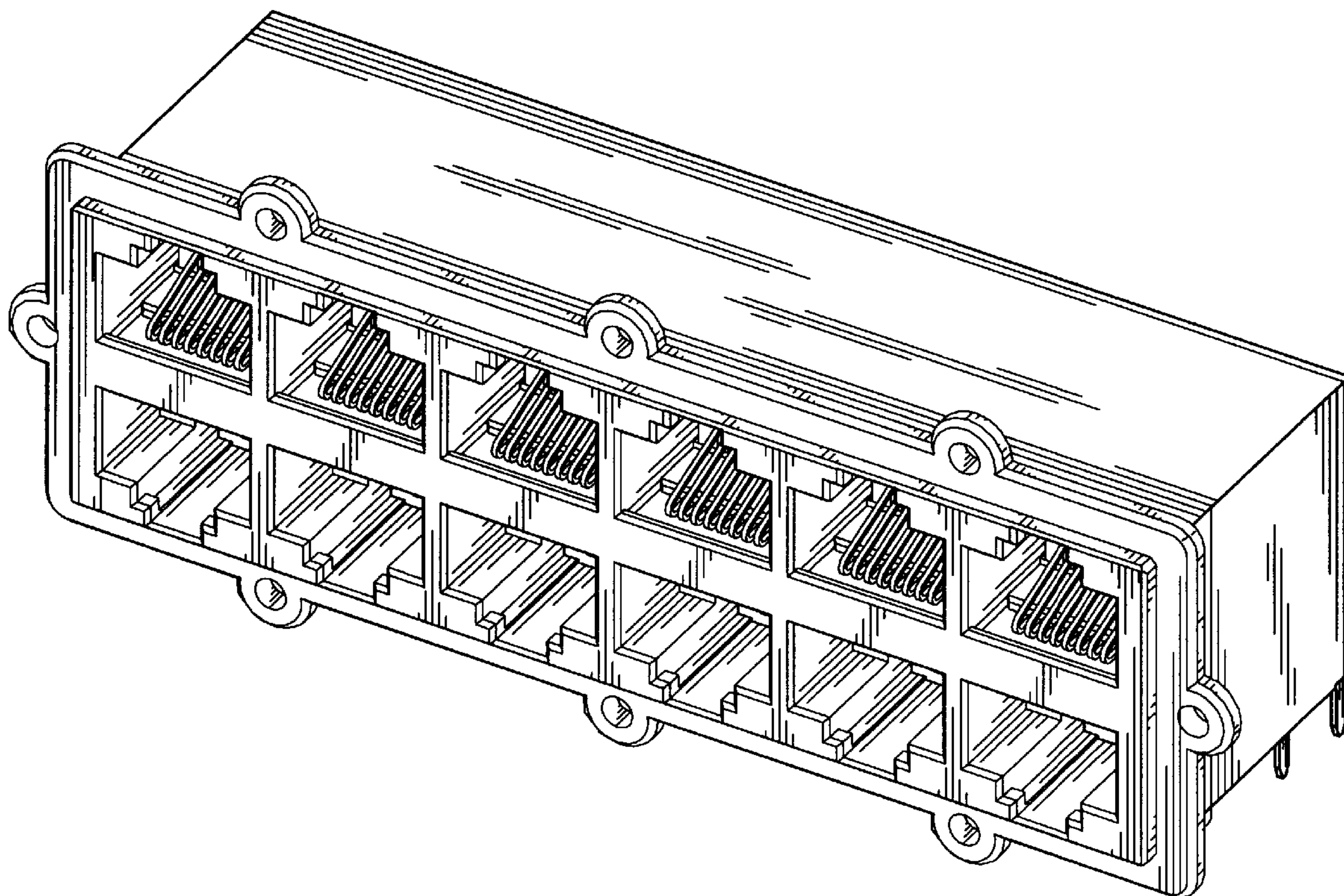
[57] **CLAIM**

The ornamental design for a stacked connector, as shown.

DESCRIPTION

FIG. 1 is a front, top and right side perspective view of a stacked connector showing my new design; FIG. 2 is a front elevational view thereof; FIG. 3 is a rear elevational view thereof; FIG. 4 is a left side elevational view thereof; FIG. 5 is a right side elevational view thereof; FIG. 6 is a top plan view thereof; and, FIG. 7 is a bottom plan view thereof.

1 Claim, 7 Drawing Sheets



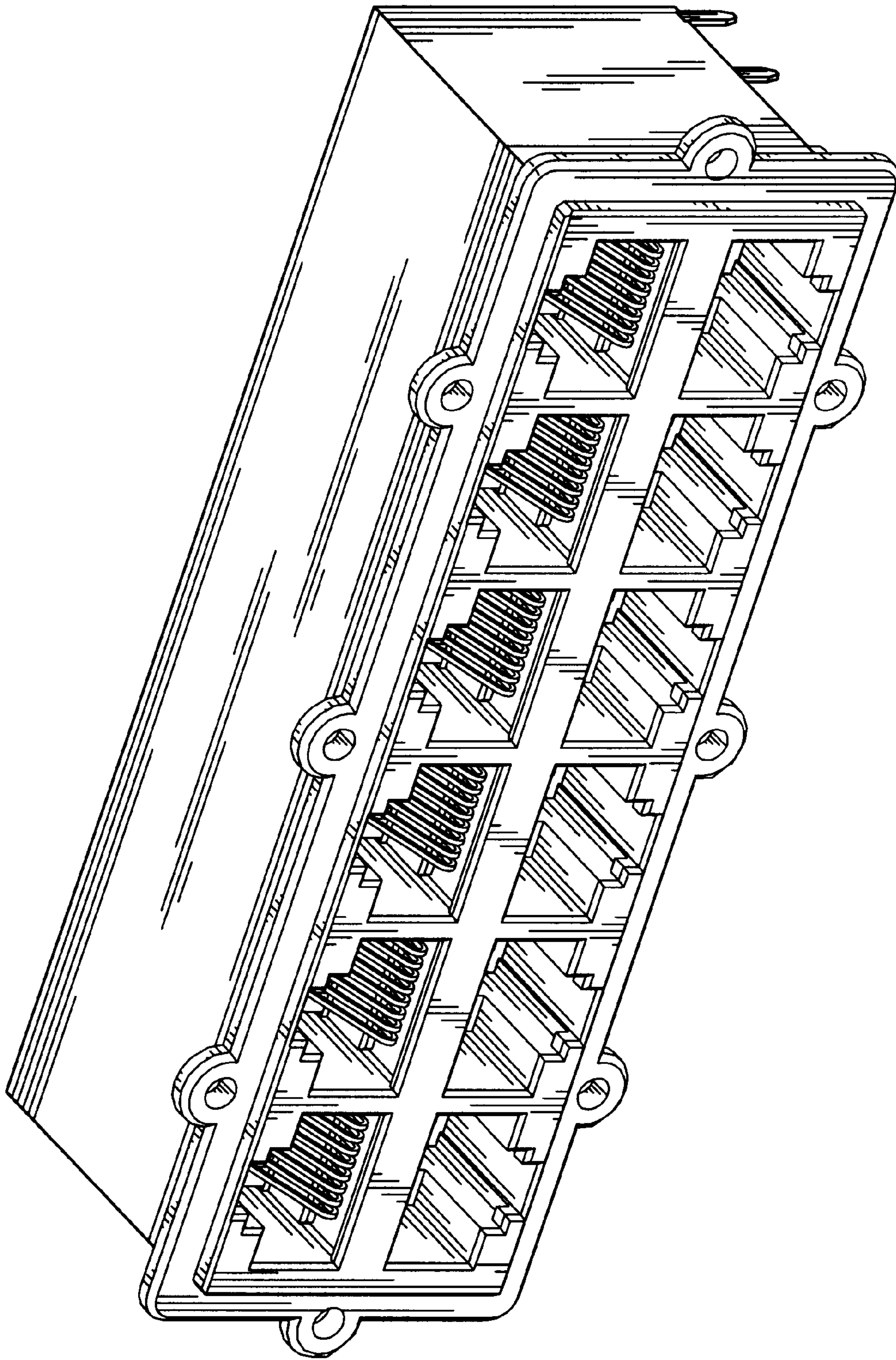


FIG. 1

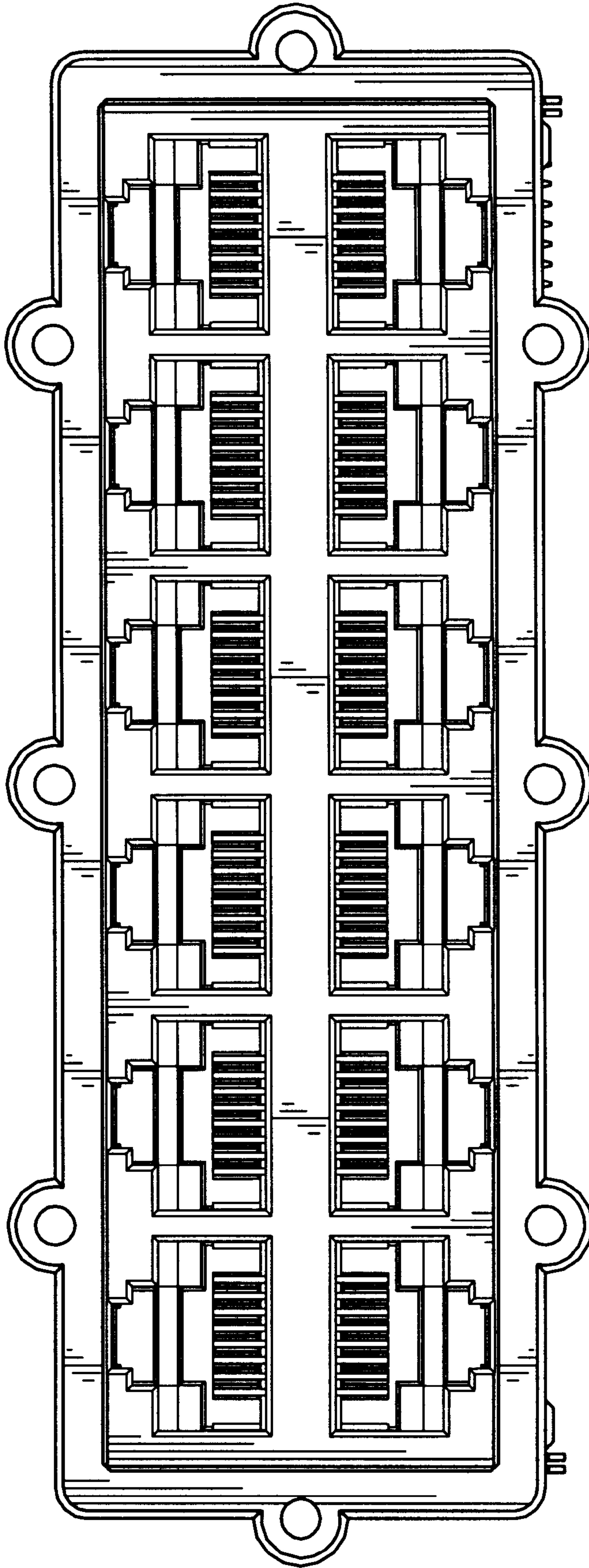


FIG. 2

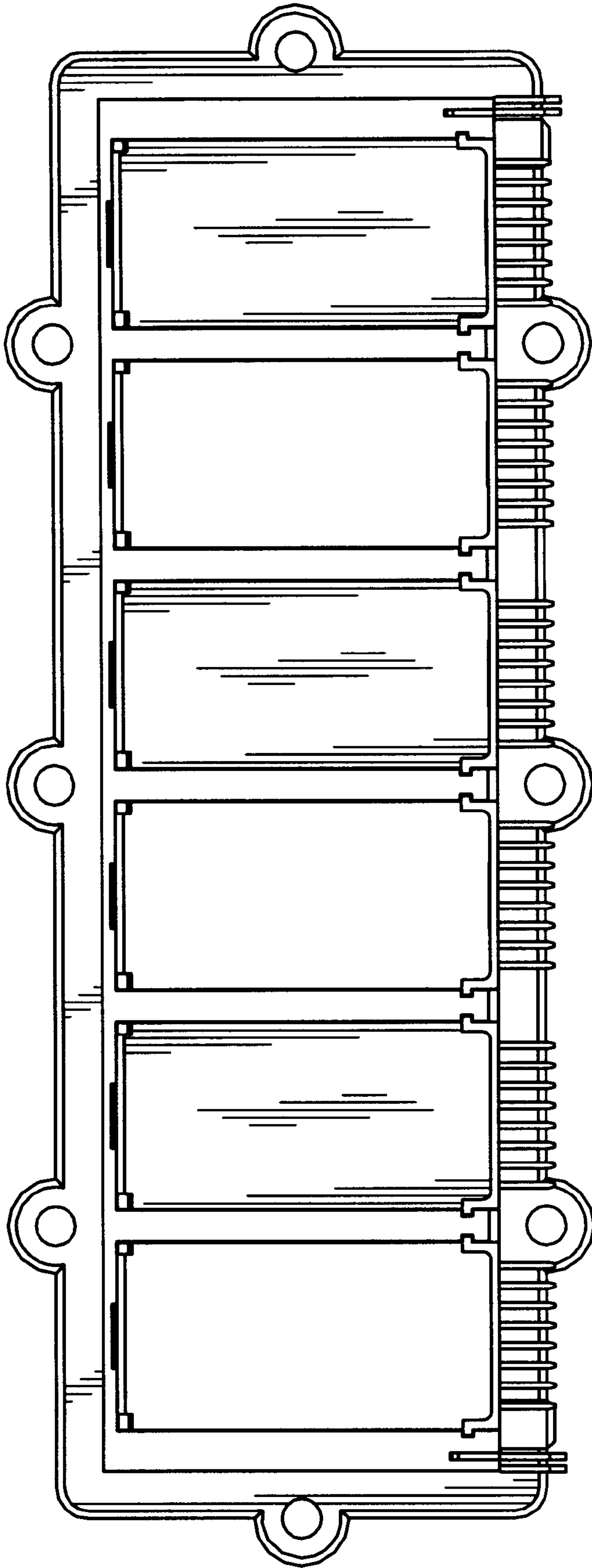


FIG. 3

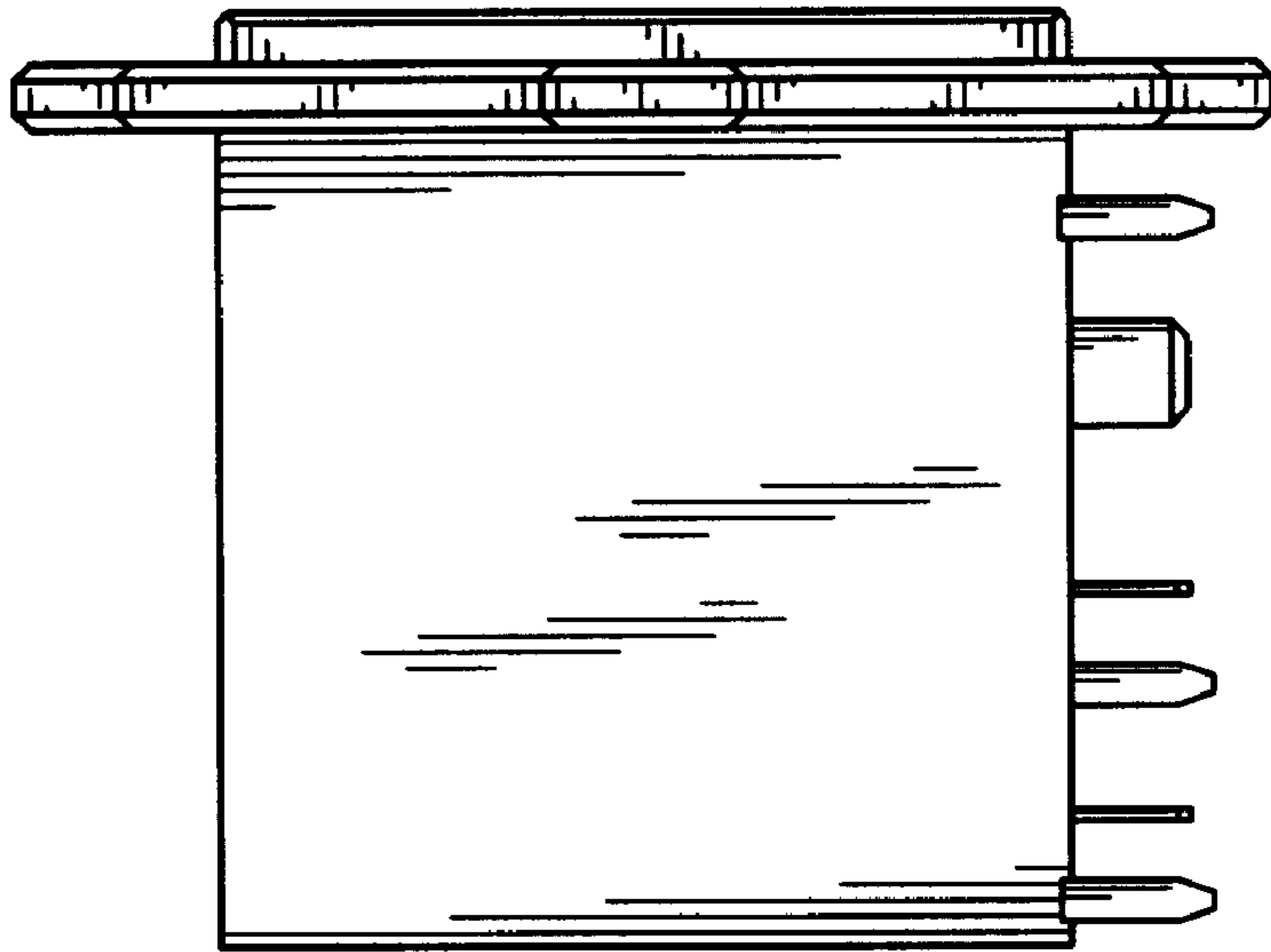


FIG. 4

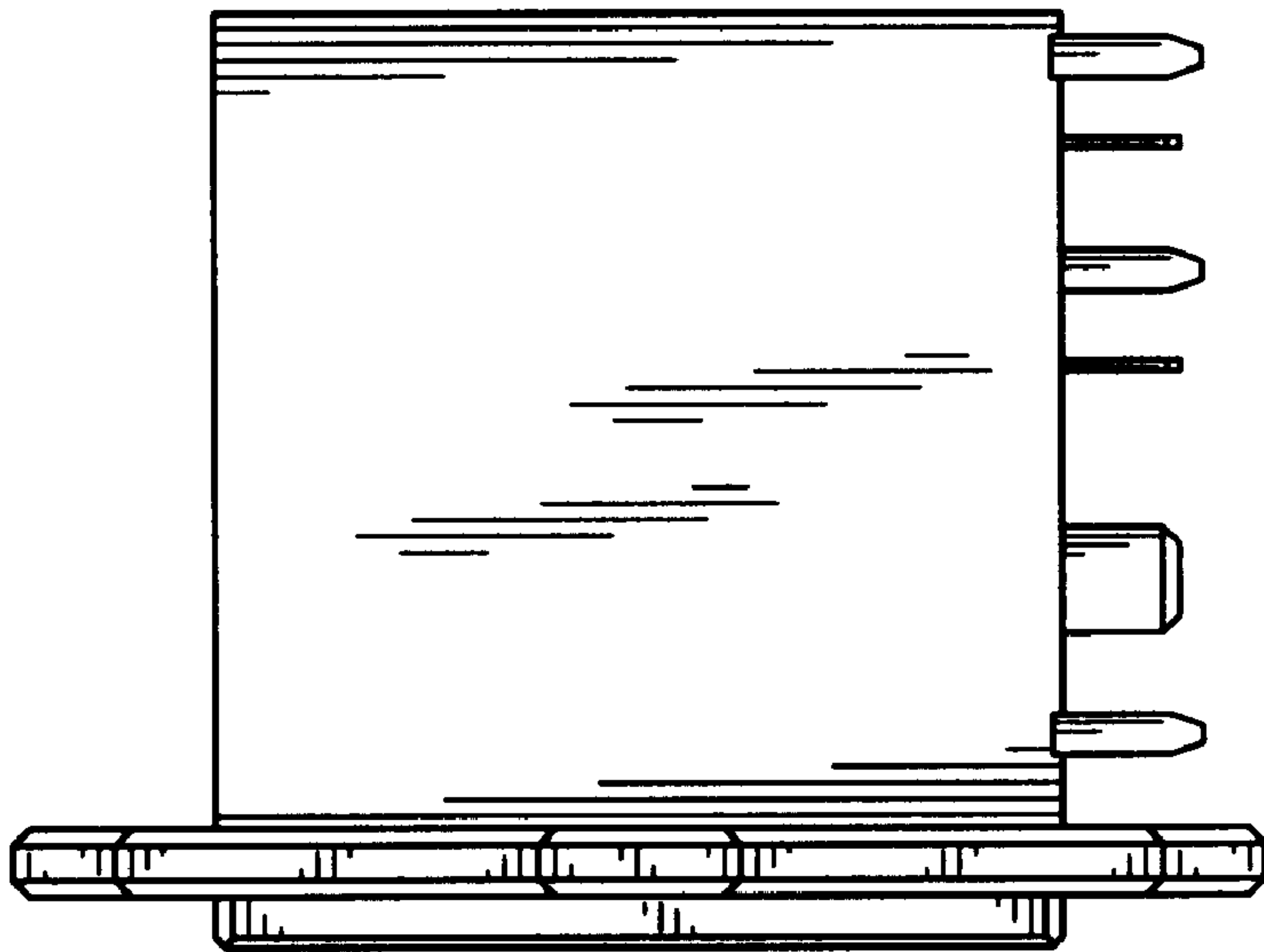


FIG. 5

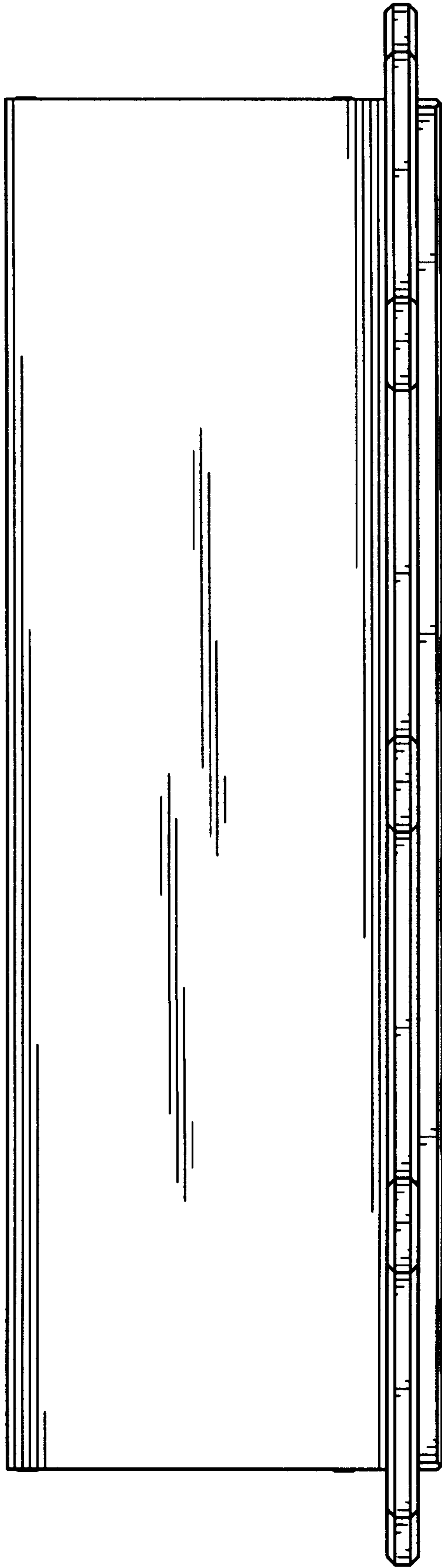


FIG. 6

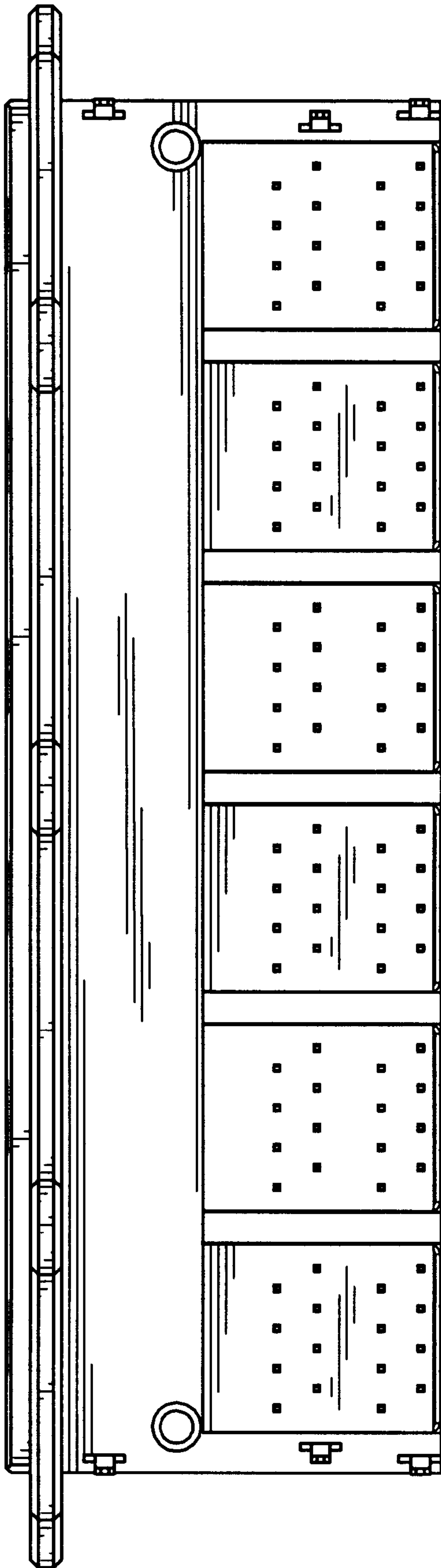


FIG. 7