



US00D422562S

United States Patent [19] Huang

[11] Patent Number: **Des. 422,562**

[45] Date of Patent: **** Apr. 11, 2000**

[54] **ELECTRICAL CONNECTOR**

[75] Inventor: **Wayne Huang**, Alhambra, Calif.

[73] Assignee: **Hon Hai Precision Ind. Co., Ltd.**,
Taipei Hsien, Taiwan

[**] Term: **14 Years**

[21] Appl. No.: **29/108,868**

[22] Filed: **Aug. 4, 1999**

[51] **LOC (6) Cl.** **13-03**

[52] **U.S. Cl.** **D13/147**

[58] **Field of Search** D13/146, 147;
439/607, 609, 108

[56] **References Cited**

U.S. PATENT DOCUMENTS

- D. 351,136 10/1994 Kurata D13/147
- D. 379,620 6/1997 Aramaki D13/147
- D. 408,788 4/1999 Homma D13/147

- D. 410,896 6/1999 Yotsutani et al. D13/147
- D. 416,863 11/1999 Sato et al. D13/147
- 5,941,725 8/1999 Brennan et al. 439/357

Primary Examiner—Joel Sincavage
Attorney, Agent, or Firm—Wei Te Chung

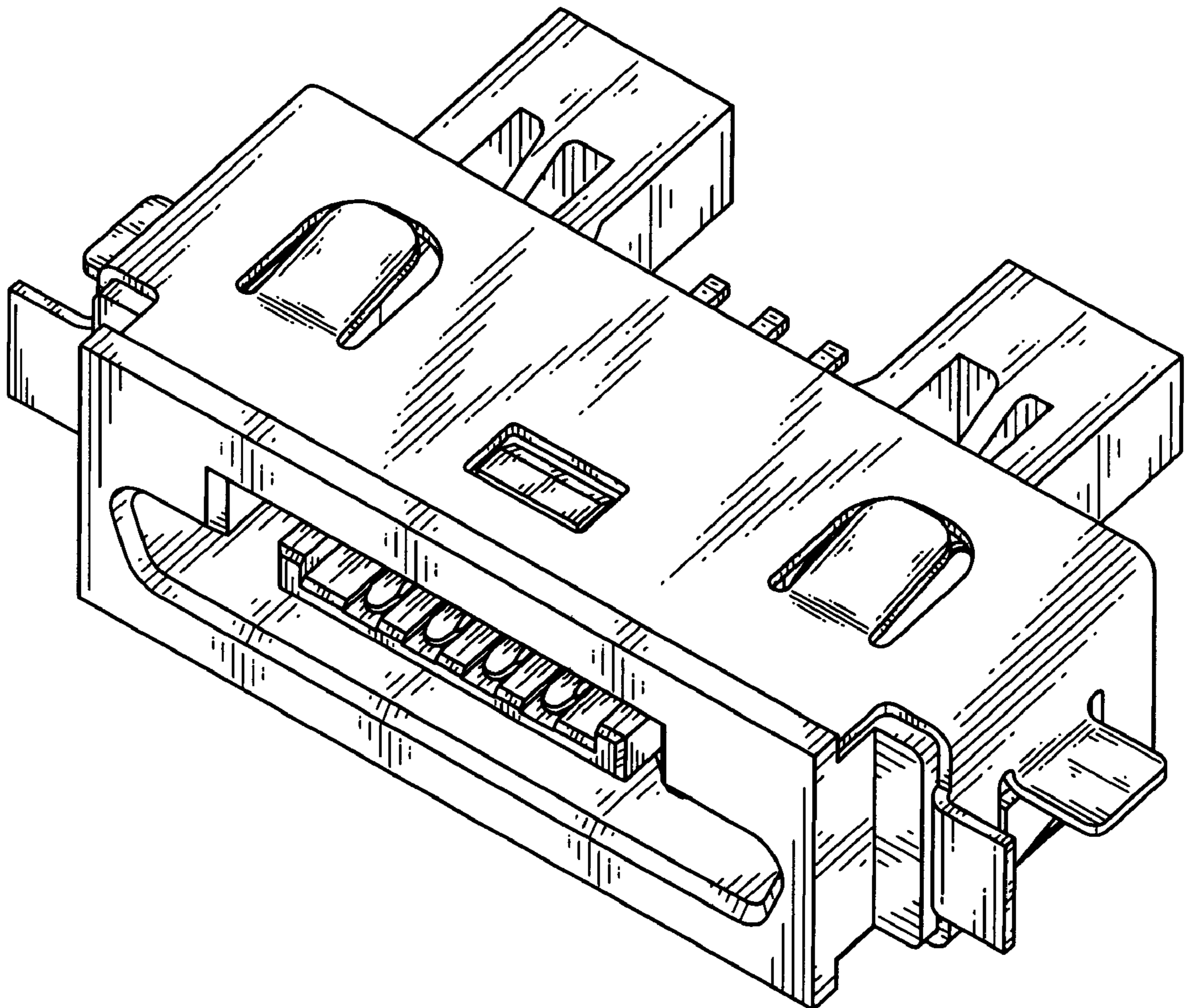
[57] **CLAIM**

The ornamental design for an electrical connector, as shown.

DESCRIPTION

FIG. 1 is a perspective view of an electrical connector showing my new design;
 FIG. 2 is another perspective view thereof;
 FIG. 3 is a further perspective view thereof;
 FIG. 4 is a front view thereof;
 FIG. 5 is a rear view thereof;
 FIG. 6 is a left side elevational view thereof;
 FIG. 7 is a right side elevational view thereof;
 FIG. 8 is a top view thereof; and,
 FIG. 9 is a bottom view thereof.

1 Claim, 6 Drawing Sheets



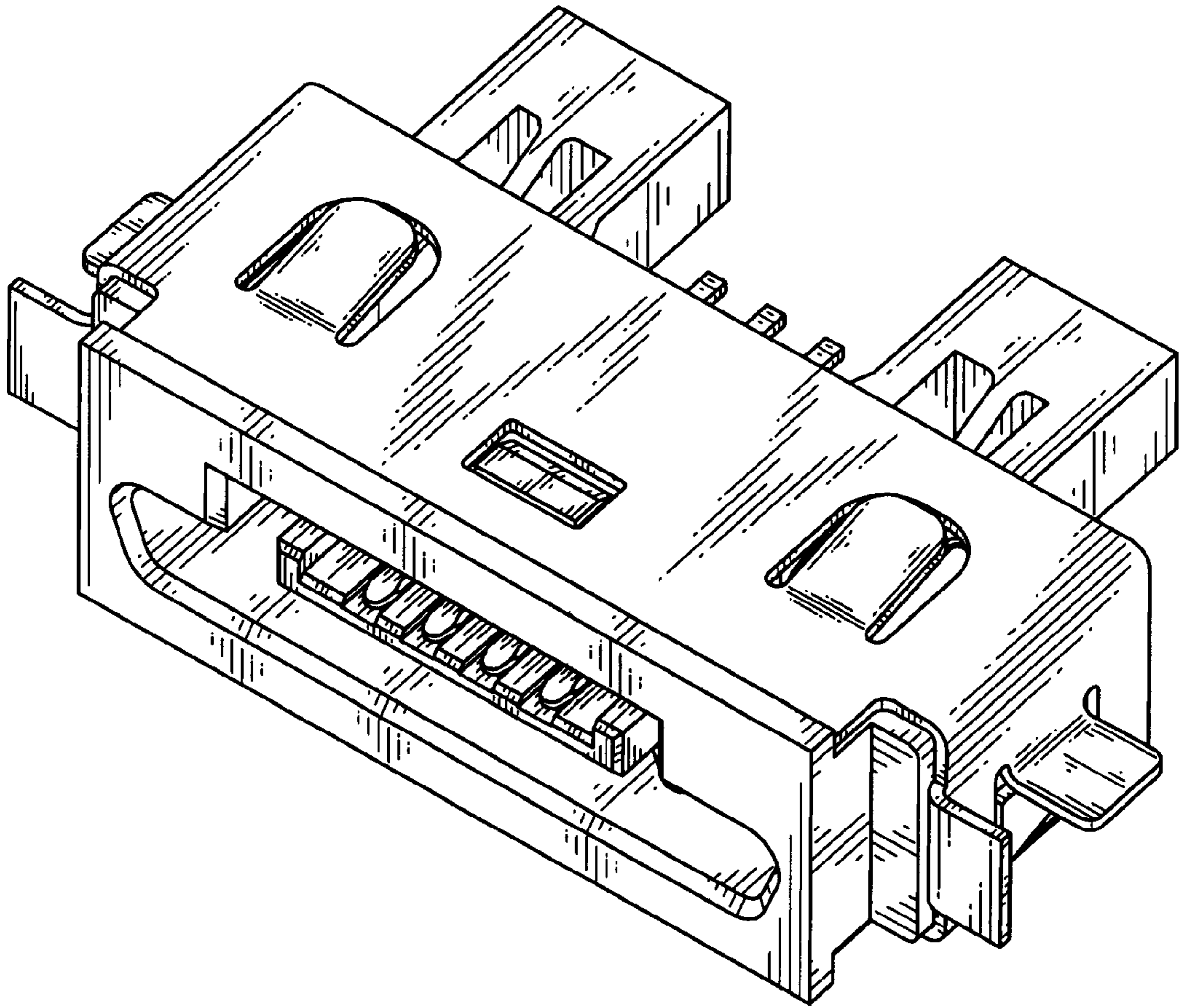


FIG.1

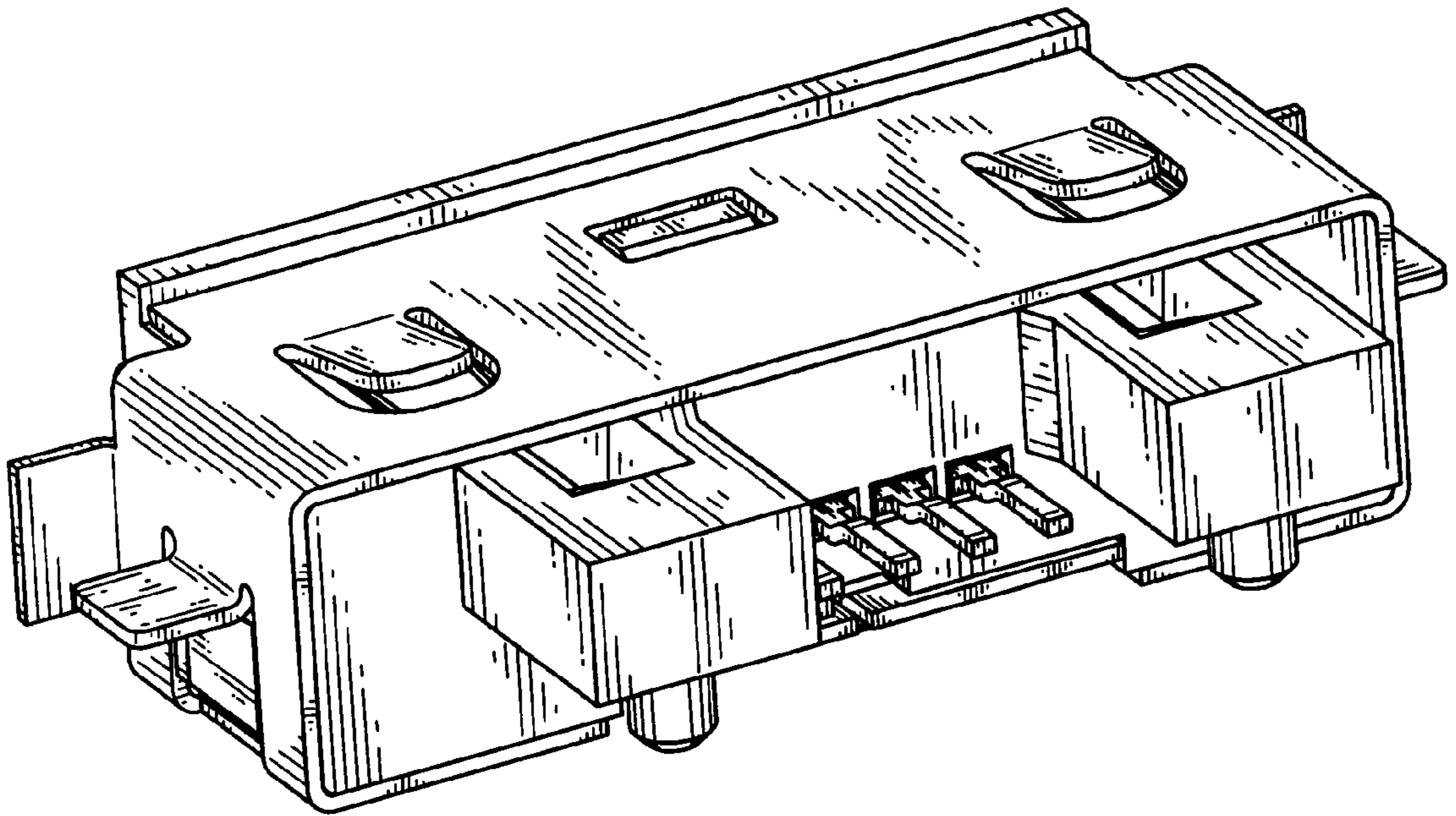


FIG.2

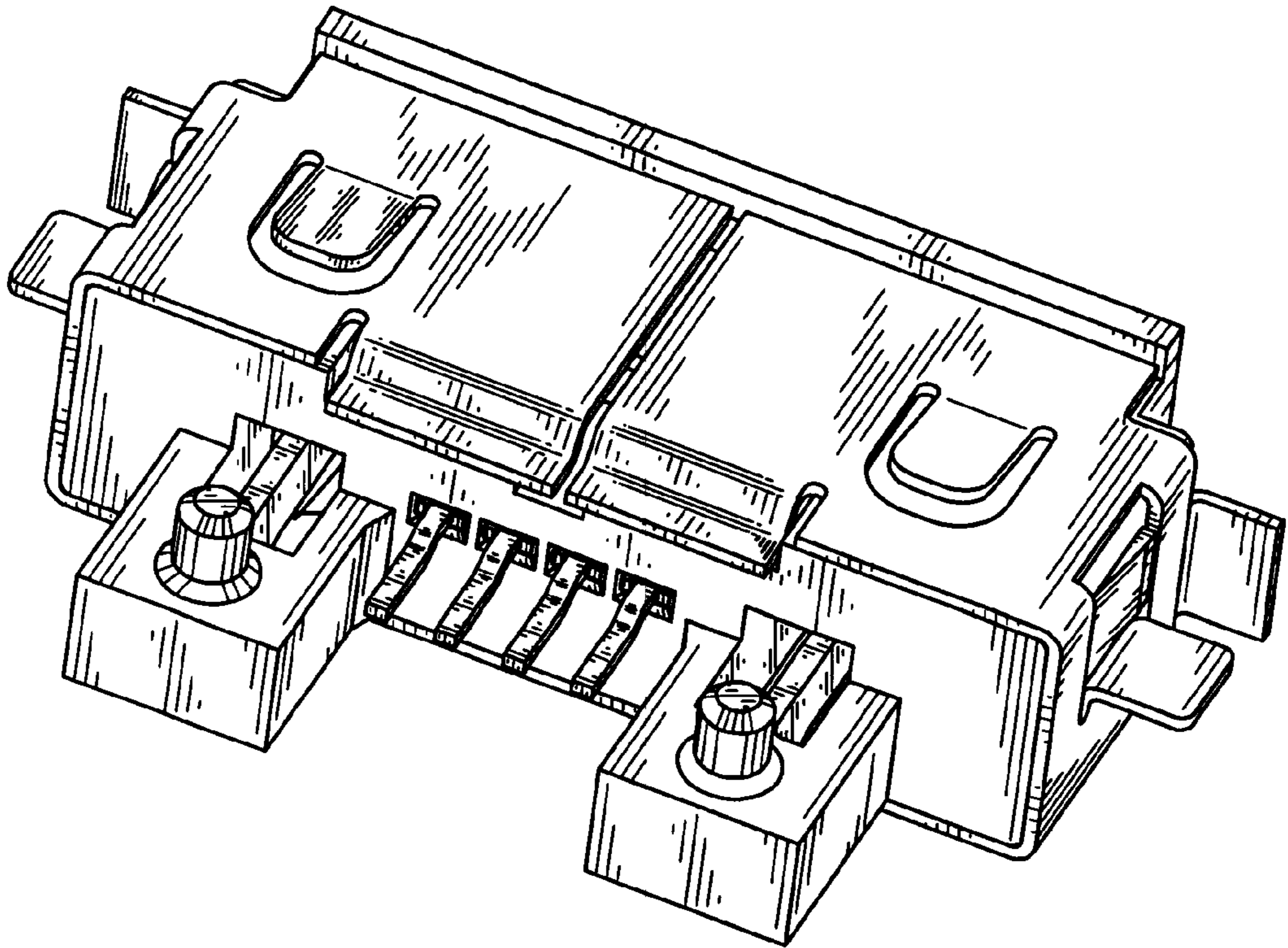


FIG.3

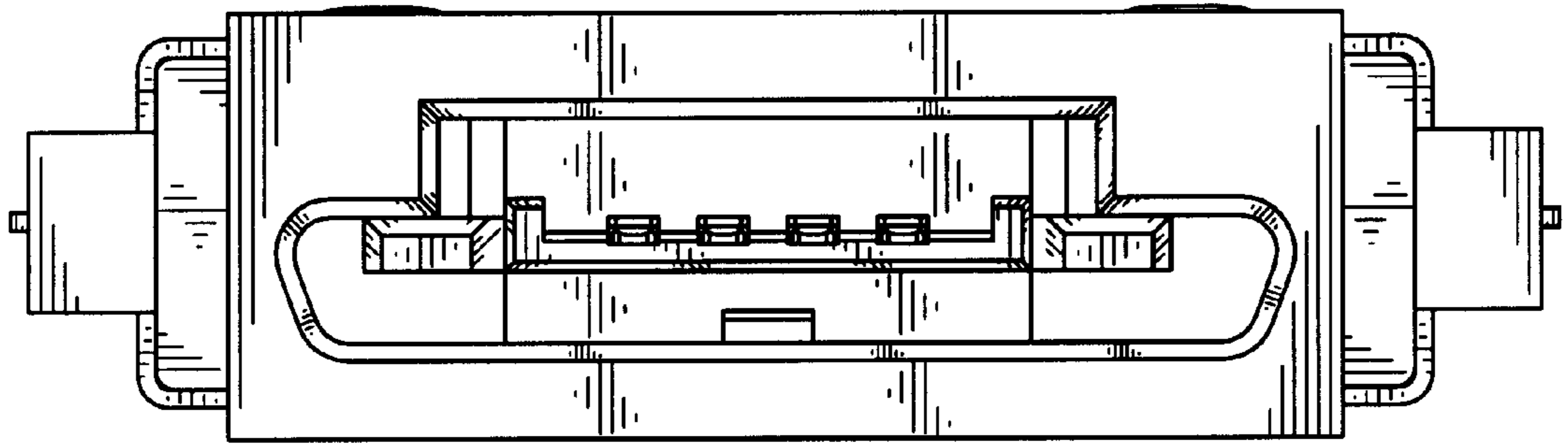


FIG. 4

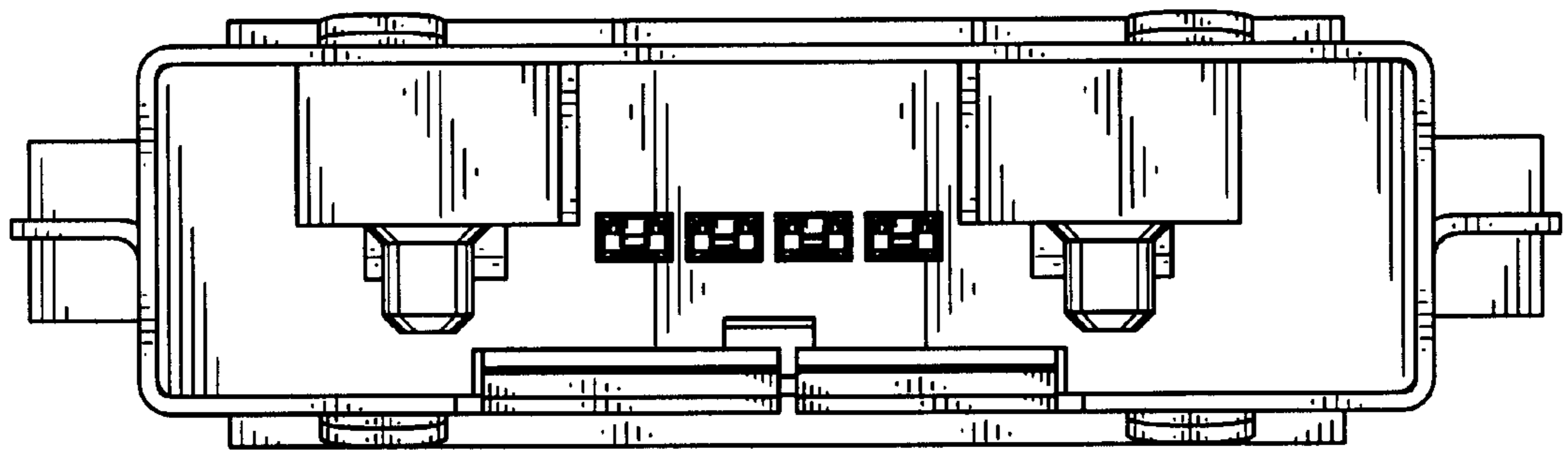


FIG. 5

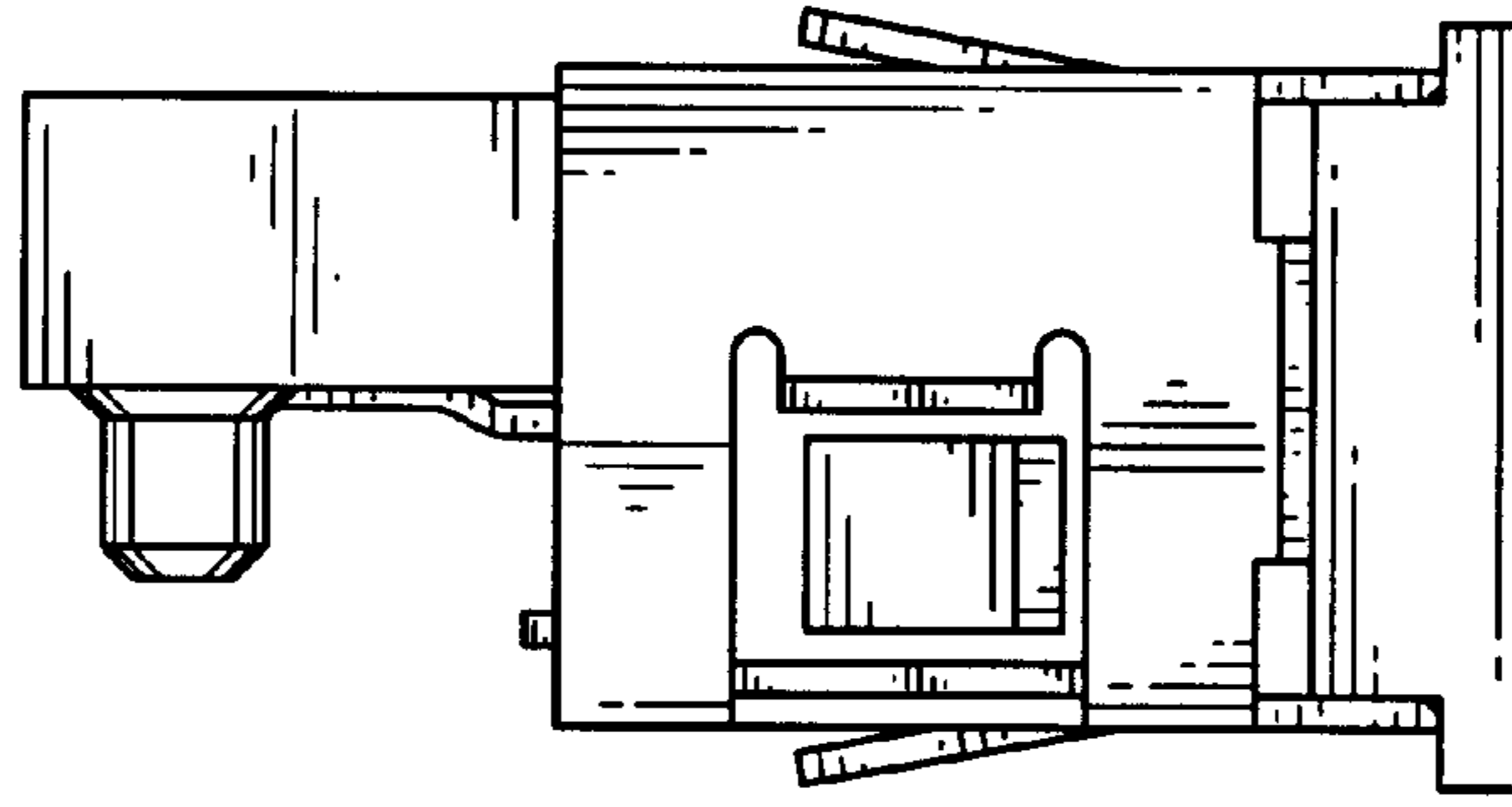


FIG.6

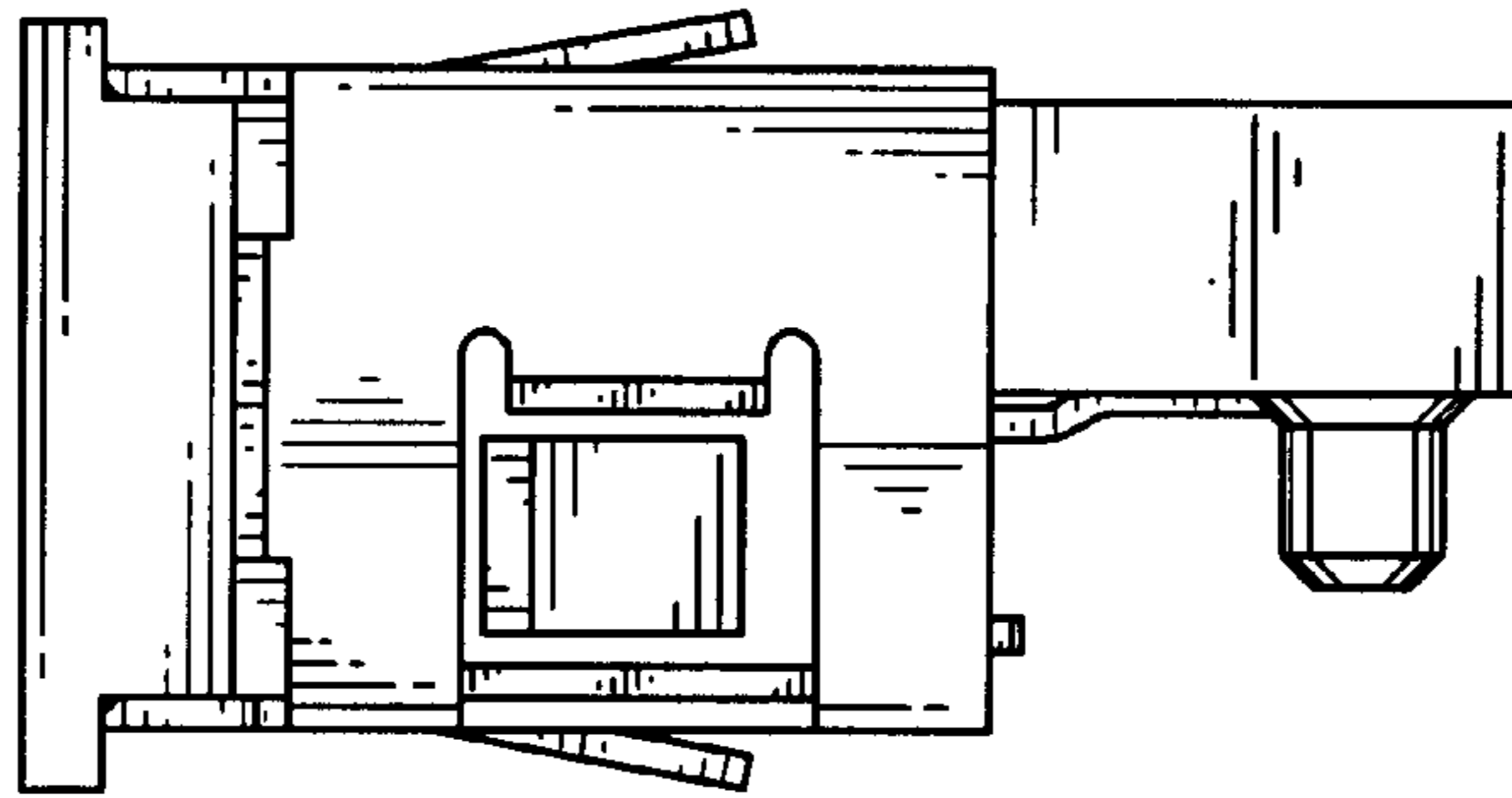


FIG.7

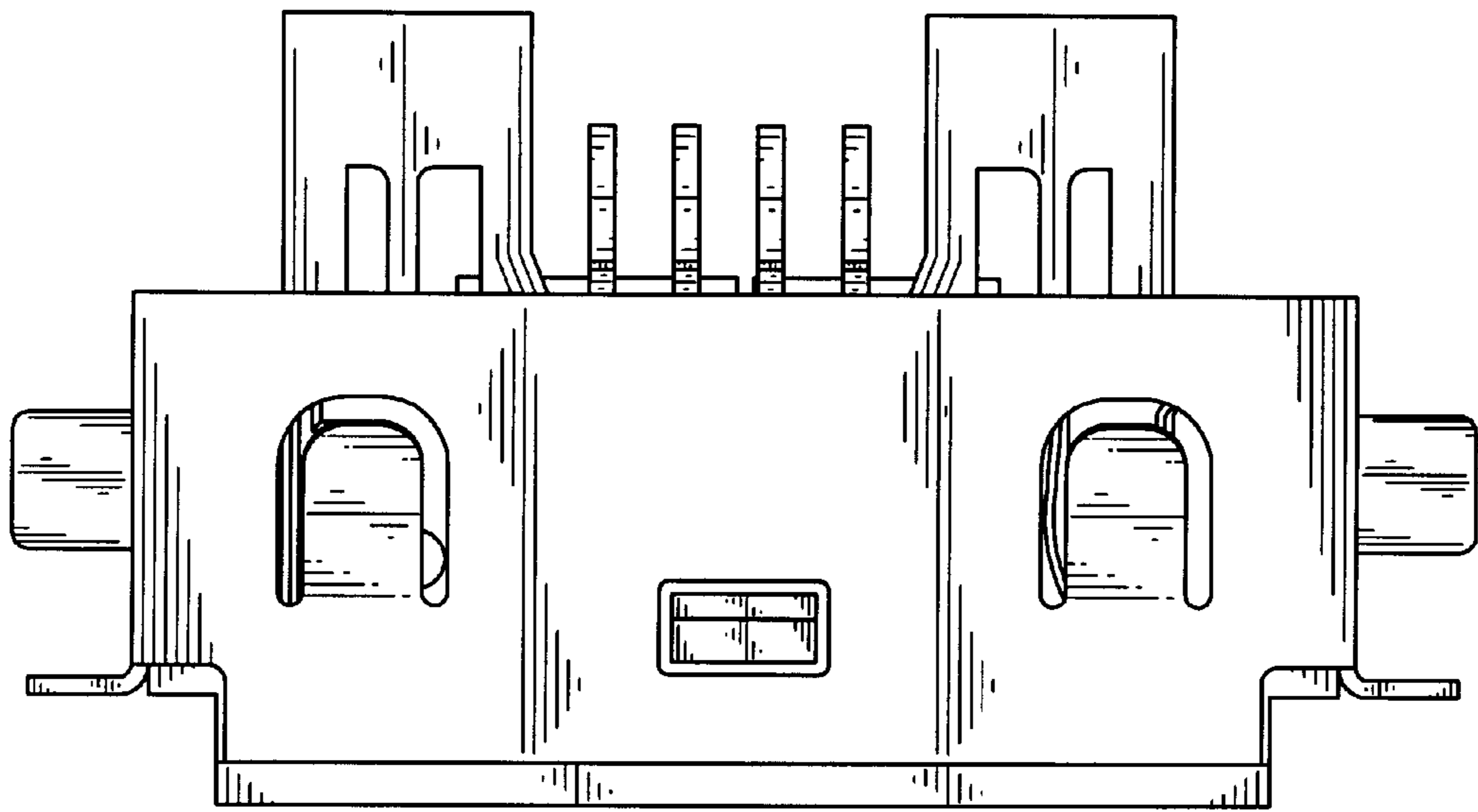


FIG. 8

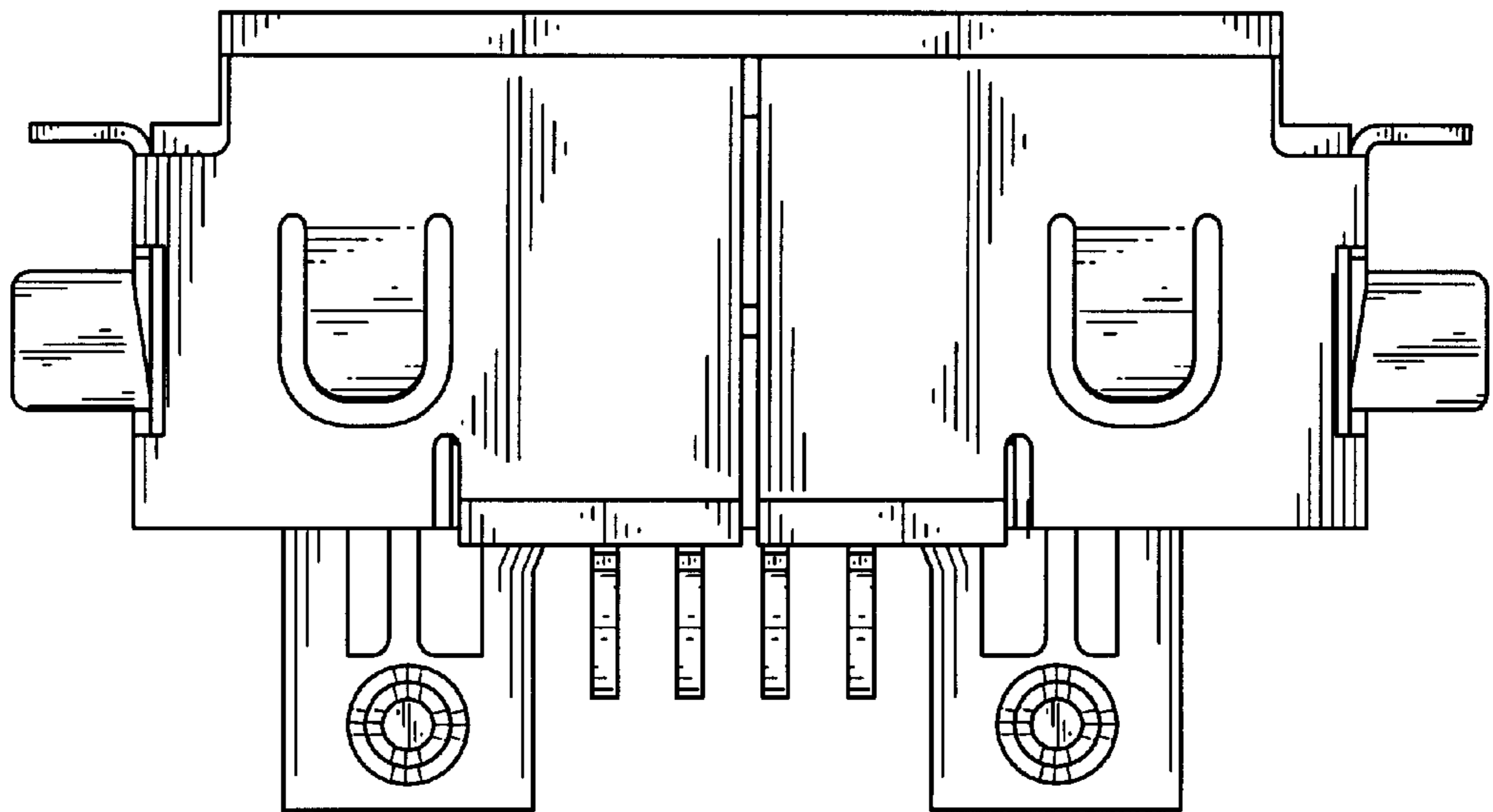


FIG. 9