



US00D422561S

United States Patent [19]

Wu et al.

[11] **Patent Number: Des. 422,561**

[45] **Date of Patent: ** Apr. 11, 2000**

[54] **DEVICE BAY BULK HEAD CONNECTOR**

[75] Inventors: **Jerry Wu**, Chang-Hua, Taiwan; **Eric Juntwait**, Irvine, Calif.

[73] Assignee: **Hon Hai Precision Ind. Co., Ltd.**, Taipei Hsien, Taiwan

[**] Term: **14 Years**

[21] Appl. No.: **29/107,747**

[22] Filed: **Jul. 12, 1999**

[51] **LOC (6) Cl.** **13-03**

[52] **U.S. Cl.** **D13/147**

[58] **Field of Search** D13/146, 147;
439/78, 79, 564, 569, 573, 607, 650, 677,
680, 378, 638

[56] **References Cited**

U.S. PATENT DOCUMENTS

D. 314,179 1/1991 Ogawa D13/147

D. 318,266 7/1991 Matsuzaki D13/147
D. 412,700 8/1999 Gardner et al. D13/147
D. 413,101 8/1999 Avery et al. D13/147
5,885,088 3/1999 Brennan et al. 439/680

Primary Examiner—Joel Sincavage
Attorney, Agent, or Firm—Wei Te Chung

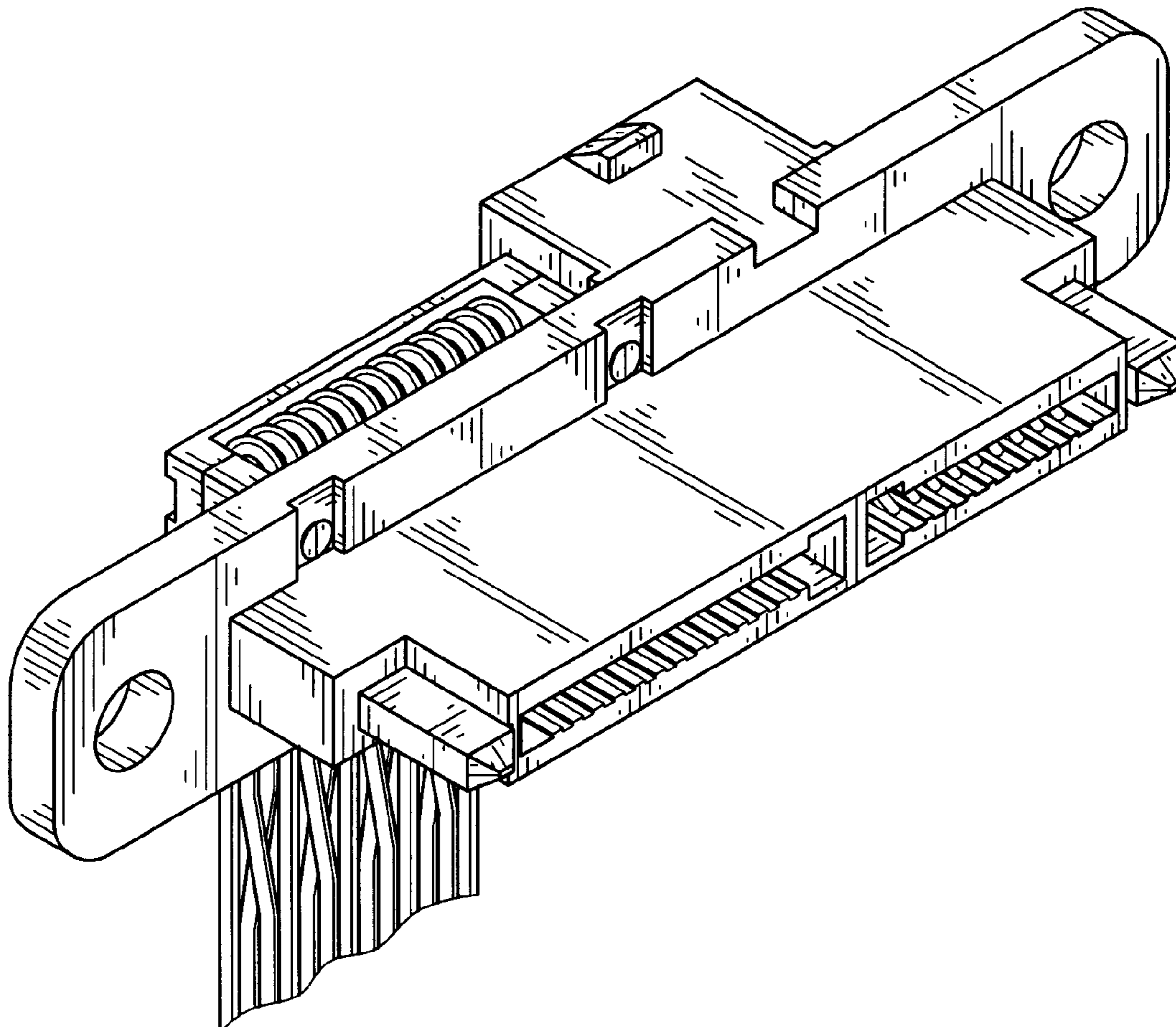
[57] **CLAIM**

The ornamental design for a device bay bulk head connector, as shown.

DESCRIPTION

FIG. 1 is a perspective view of a device bay bulk head connector showing my new design; FIG. 2 is another perspective view thereof; FIG. 3 is a front view thereof; FIG. 4 is a rear view thereof; FIG. 5 is a left side elevational view thereof; FIG. 6 is a right side elevational view thereof; FIG. 7 is a top view thereof; and, FIG. 8 is a bottom view thereof.

1 Claim, 5 Drawing Sheets



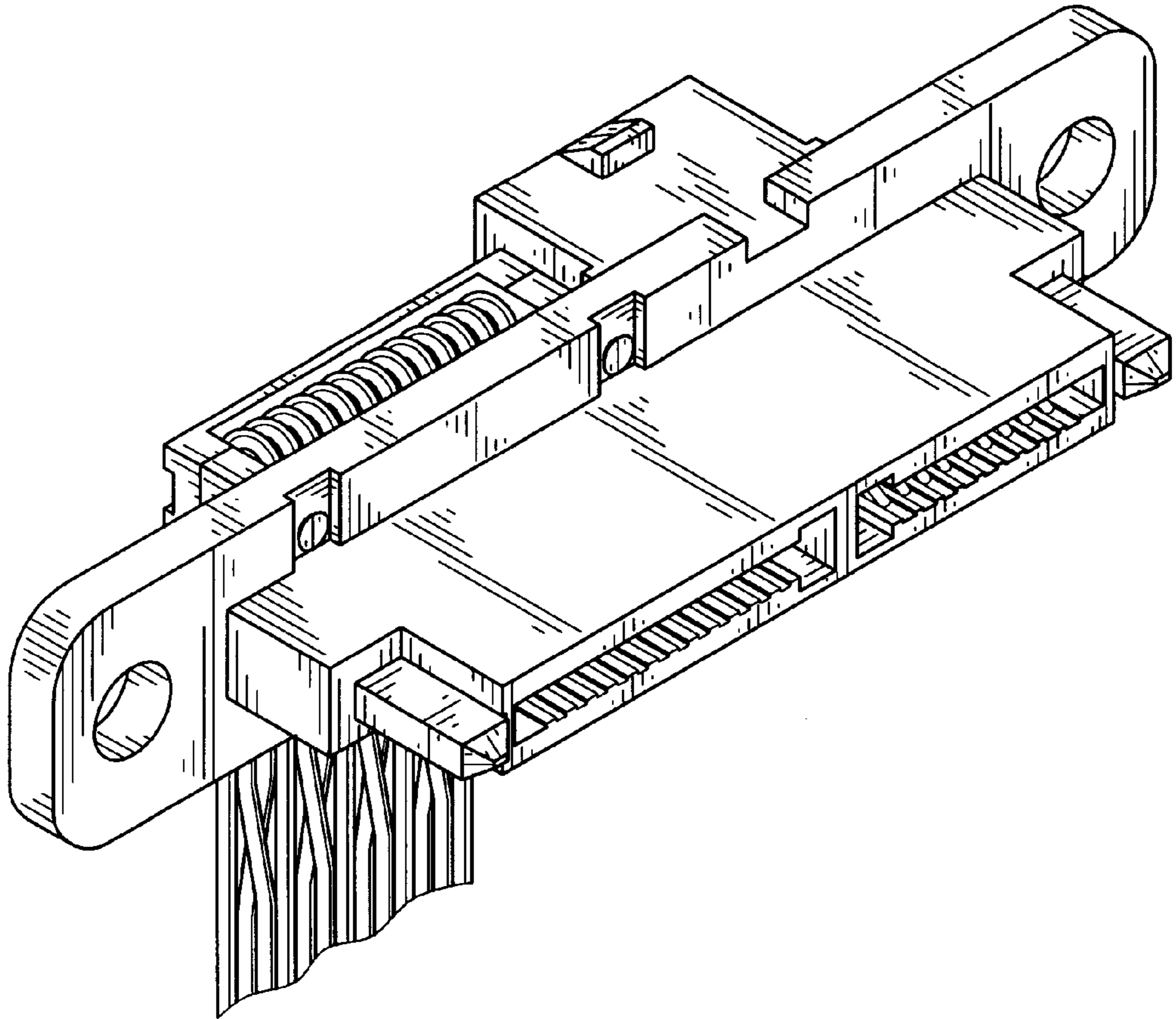


FIG.1

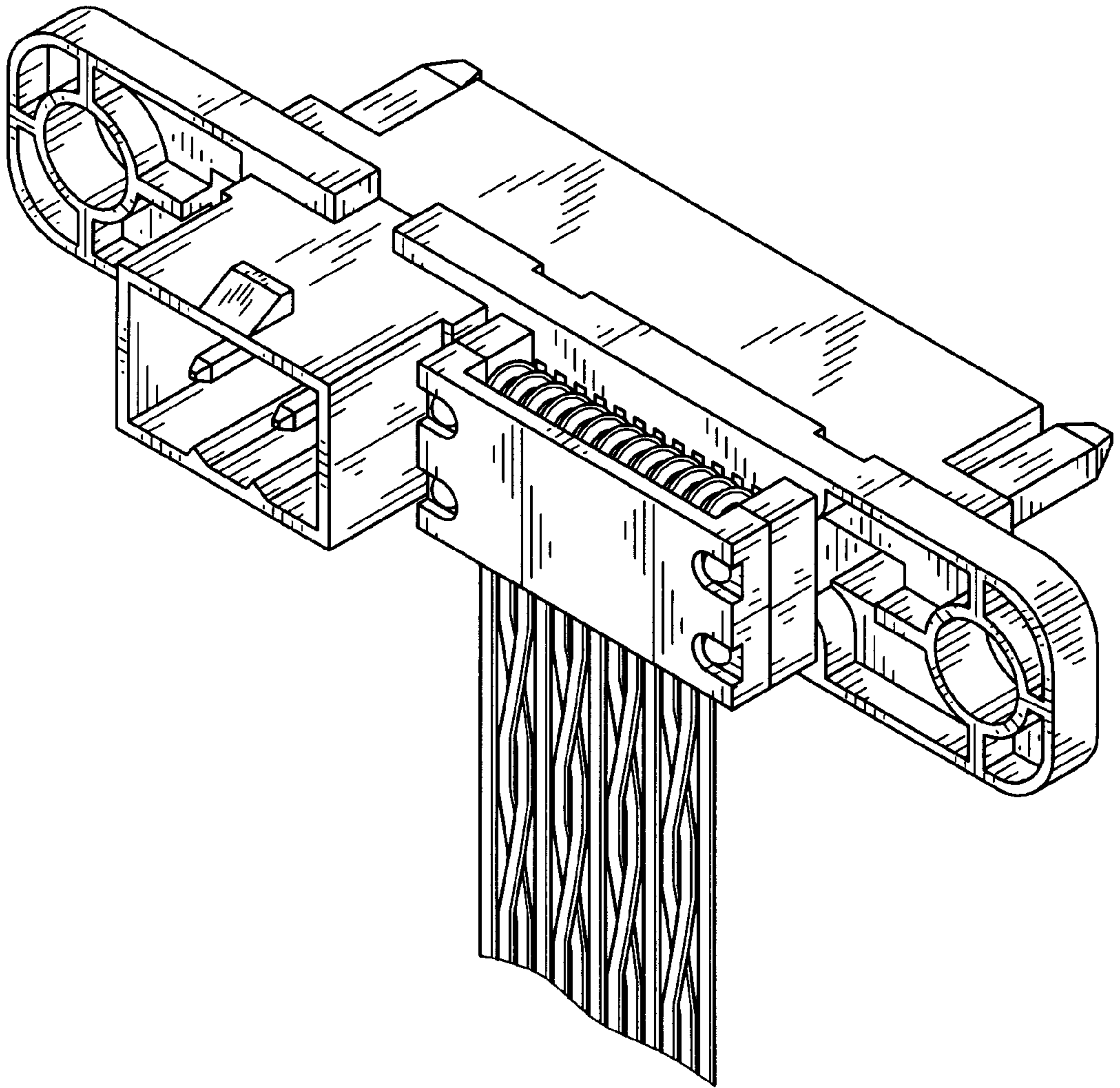


FIG.2

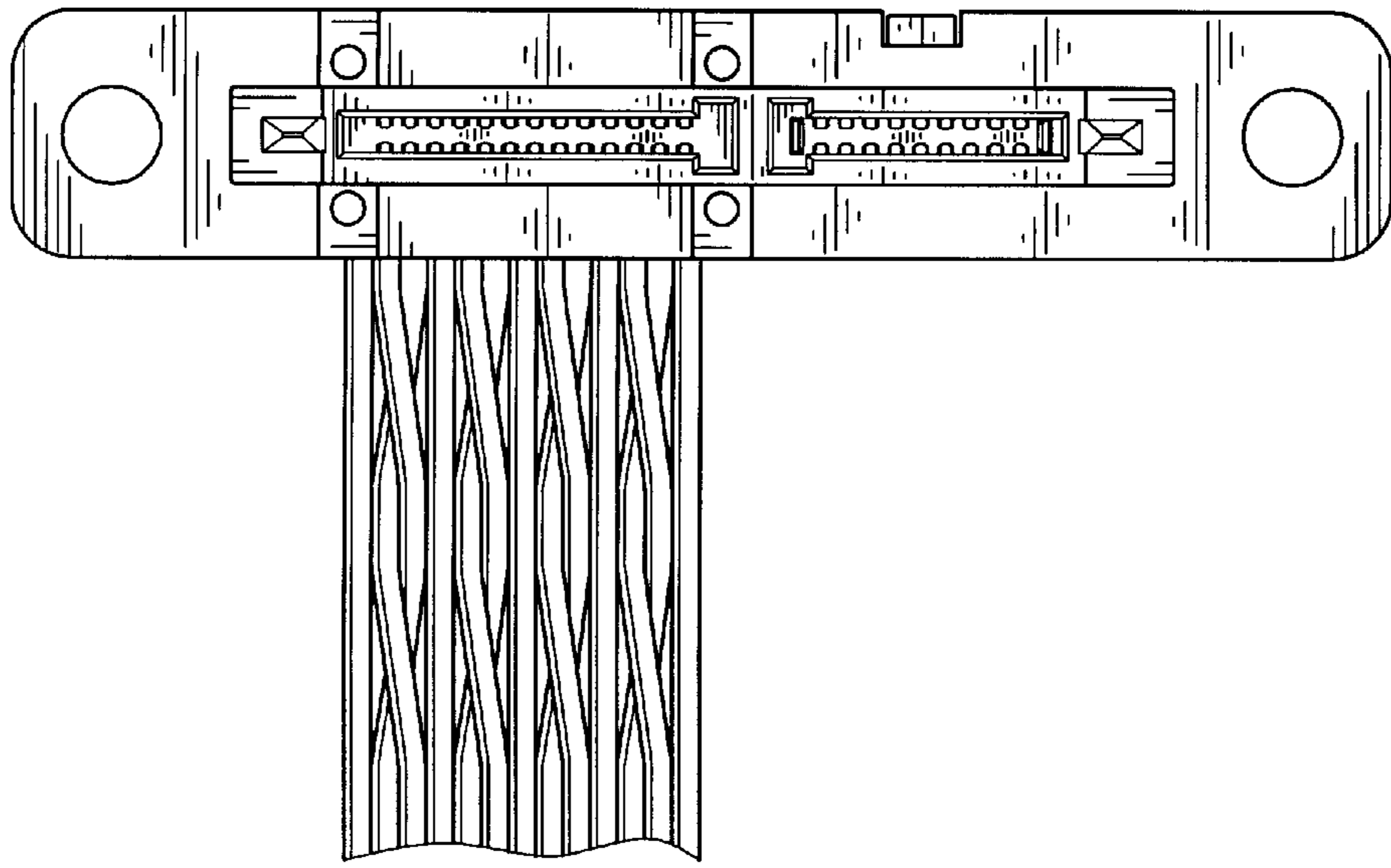


FIG.3

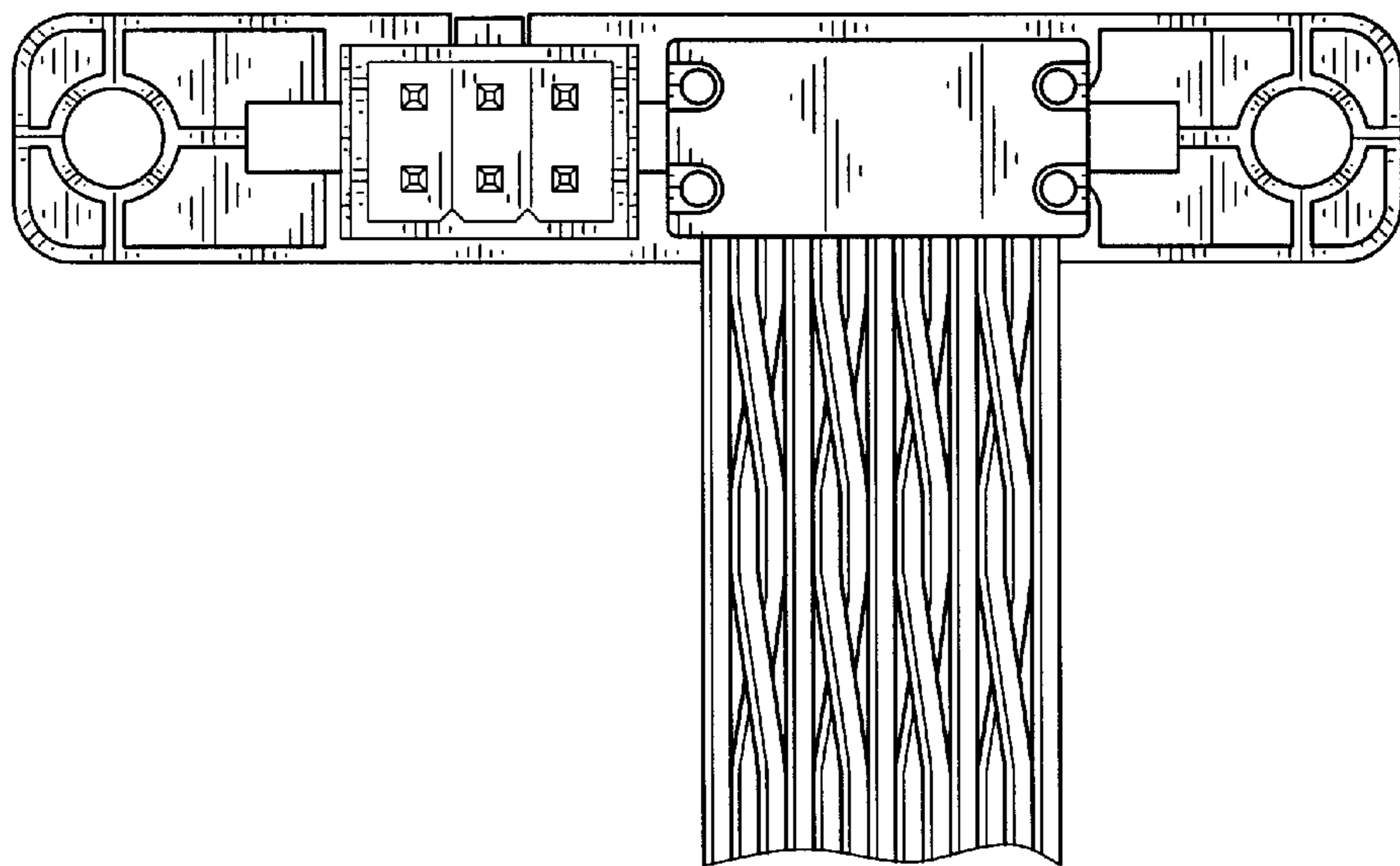


FIG.4

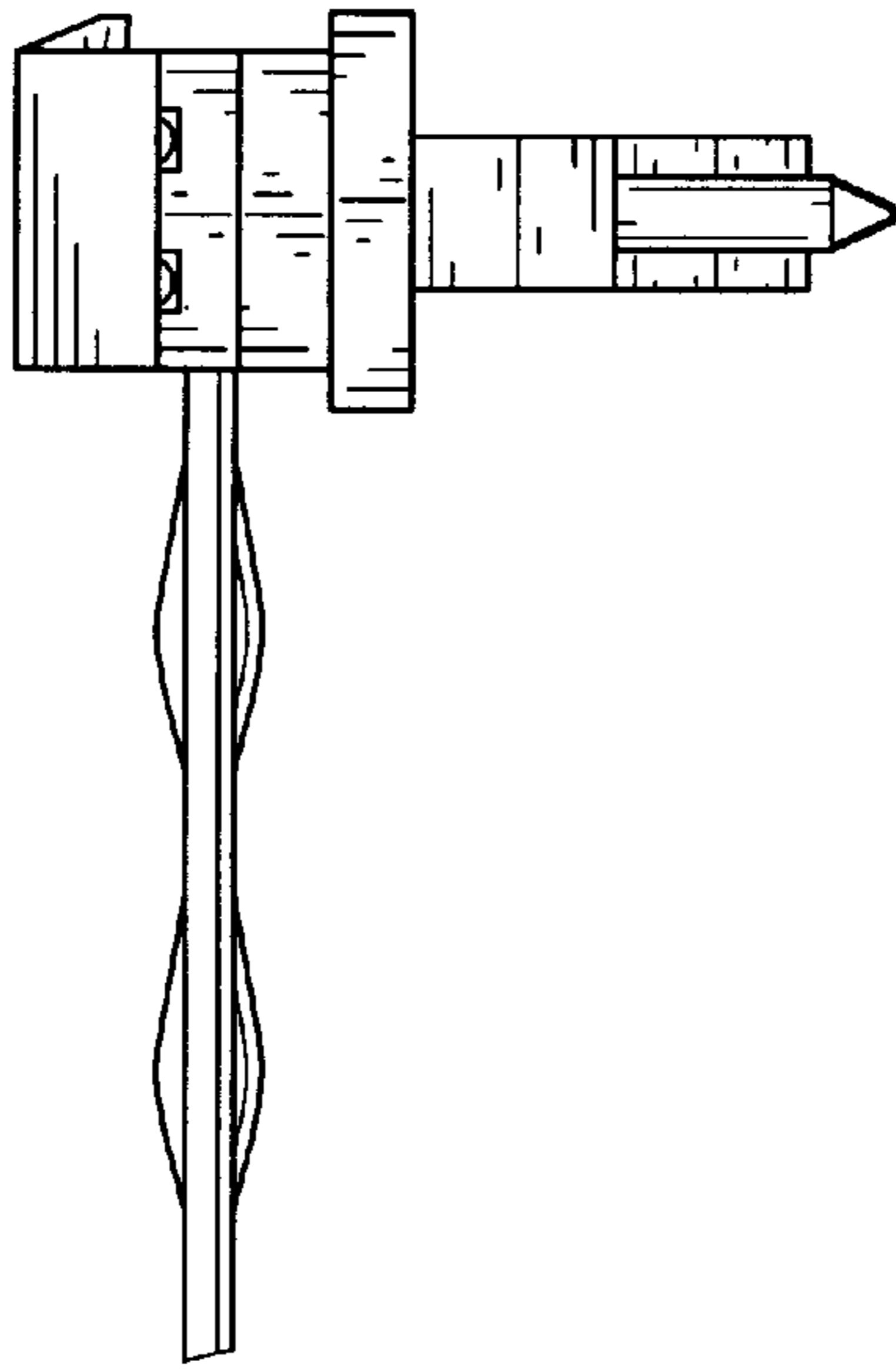


FIG. 5

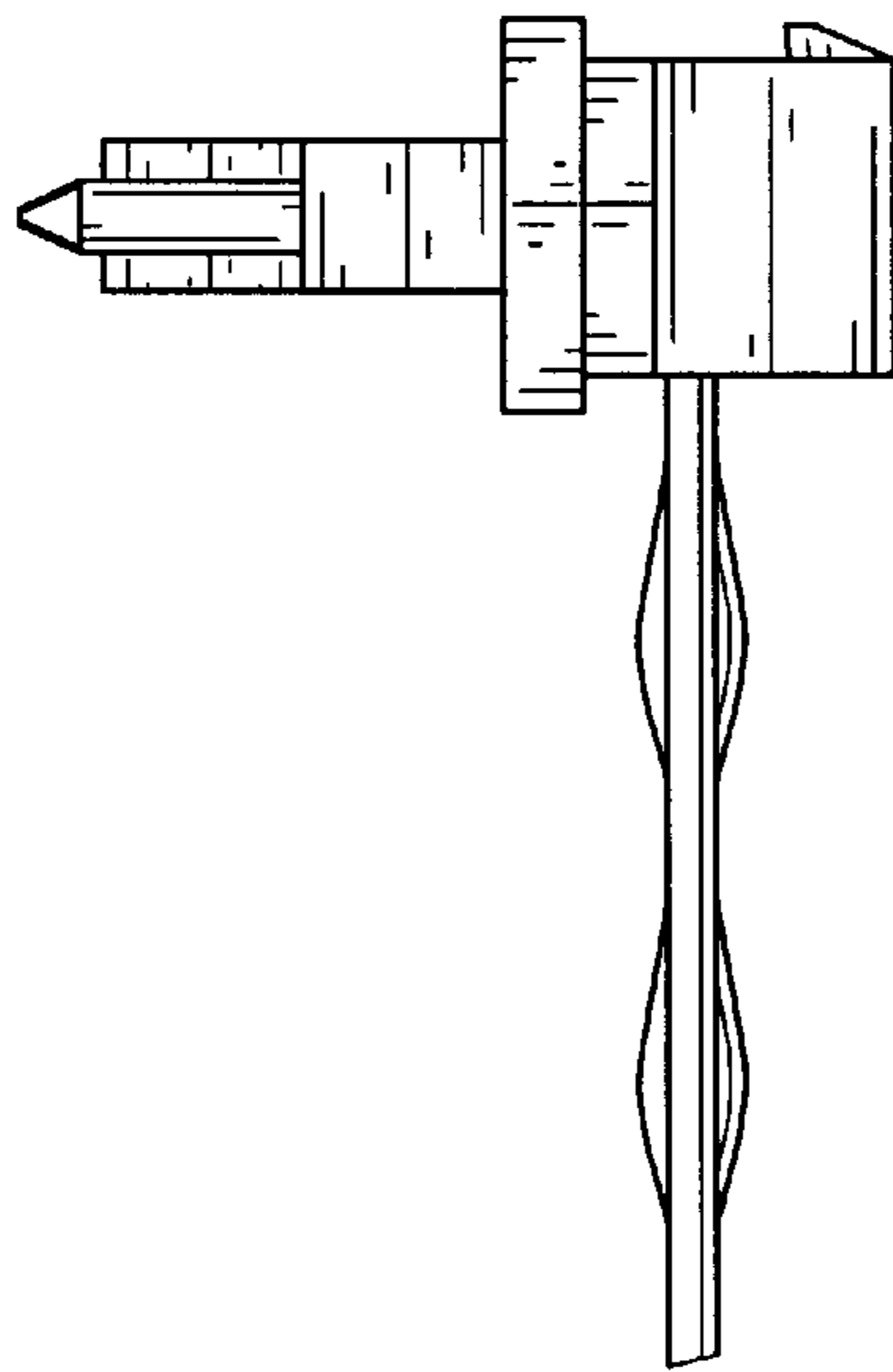


FIG. 6

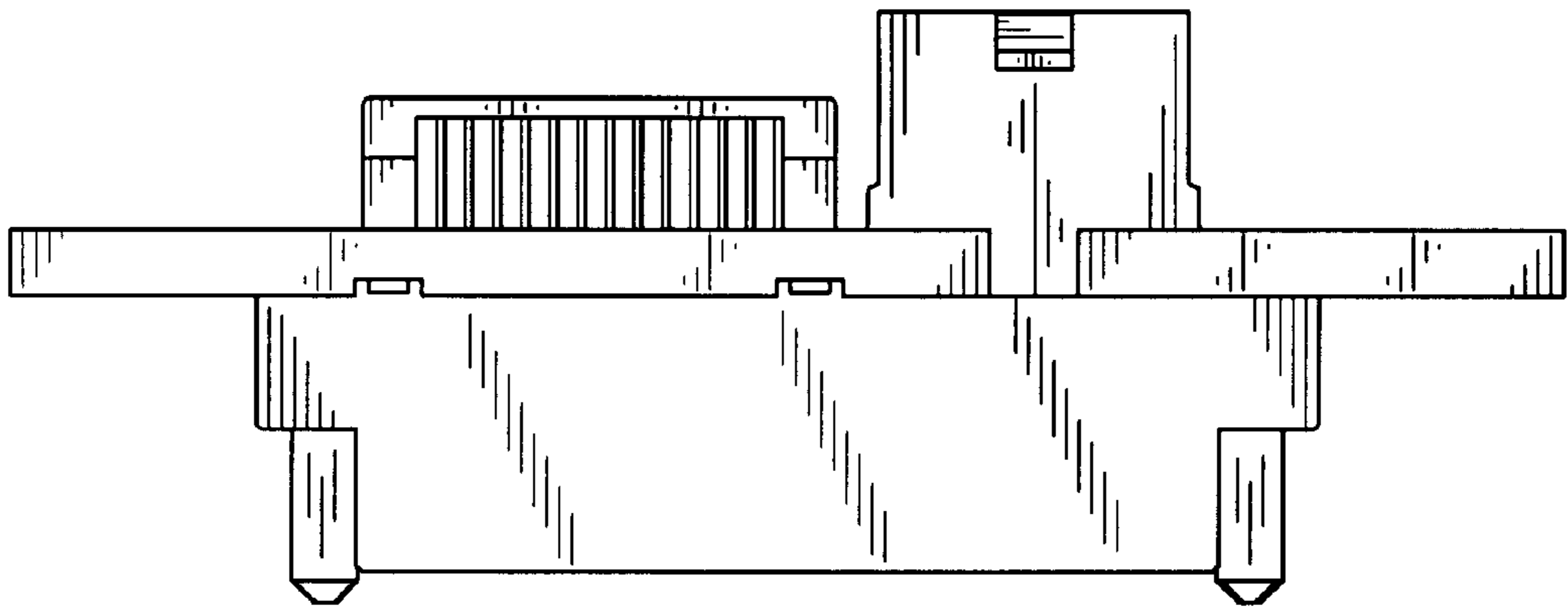


FIG. 7

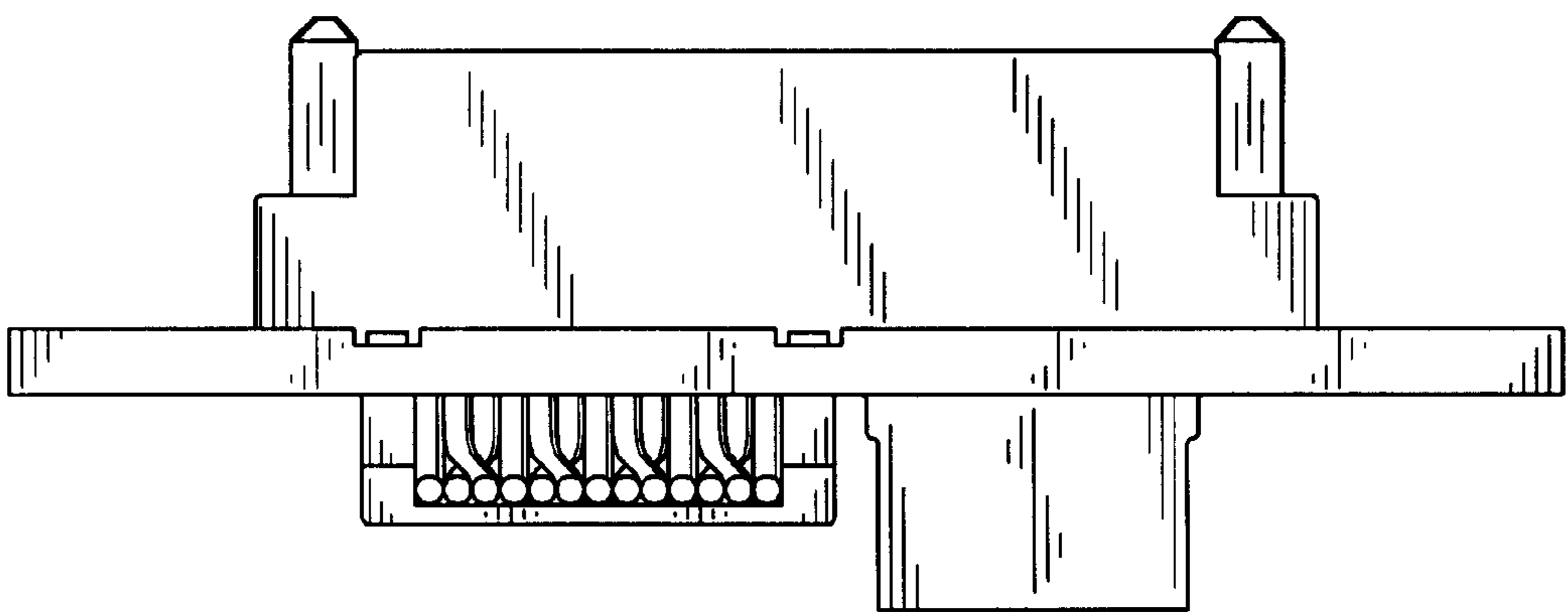


FIG. 8