



US00D422560S

United States Patent [19] Lok

[11] **Patent Number: Des. 422,560**

[45] **Date of Patent: ** Apr. 11, 2000**

[54] **CABLE END CONNECTOR**

[75] Inventor: **Gordon Lok**, Montebello, Calif.

[73] Assignee: **Hon Hai Precision Ind. Co., Ltd.**,
Taipei Hsien, Taiwan

[**] Term: **14 Years**

[21] Appl. No.: **29/107,715**

[22] Filed: **Jul. 12, 1999**

[51] **LOC (6) Cl.** **13-03**

[52] **U.S. Cl.** **D13/147**

[58] **Field of Search** D13/146, 147;
439/352, 353, 358, 607, 610, 686

[56] **References Cited**

U.S. PATENT DOCUMENTS

D. 385,255 10/1997 Sato D13/147
5,435,744 7/1995 Derstine et al. 439/352

5,634,809 6/1997 Hirai 439/352
5,660,558 8/1997 Osanai et al. 439/353
5,816,841 10/1998 Grant 439/354
5,934,942 8/1999 Patel et al. 439/610

Primary Examiner—Joel Sincavage
Attorney, Agent, or Firm—Wei Te Chung

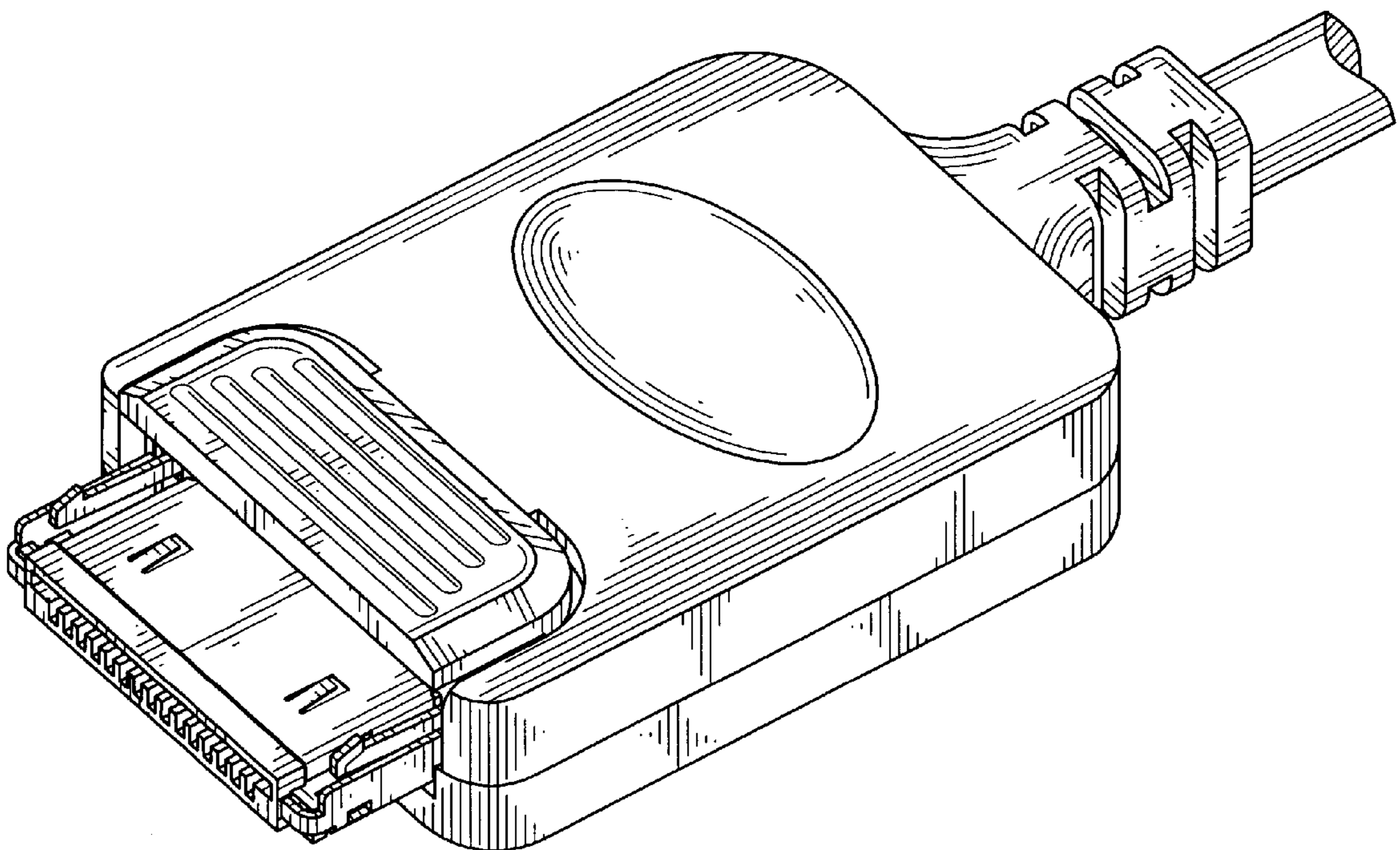
[57] **CLAIM**

The ornamental design for a cable end connector, as shown.

DESCRIPTION

FIG. 1 is a perspective view of a cable end connector showing my new design;
FIG. 2 is a front view thereof;
FIG. 3 is a rear view thereof;
FIG. 4 is a left side elevational view thereof;
FIG. 5 is a right side elevational view thereof;
FIG. 6 is a top view thereof; and,
FIG. 7 is a bottom view thereof.

1 Claim, 6 Drawing Sheets



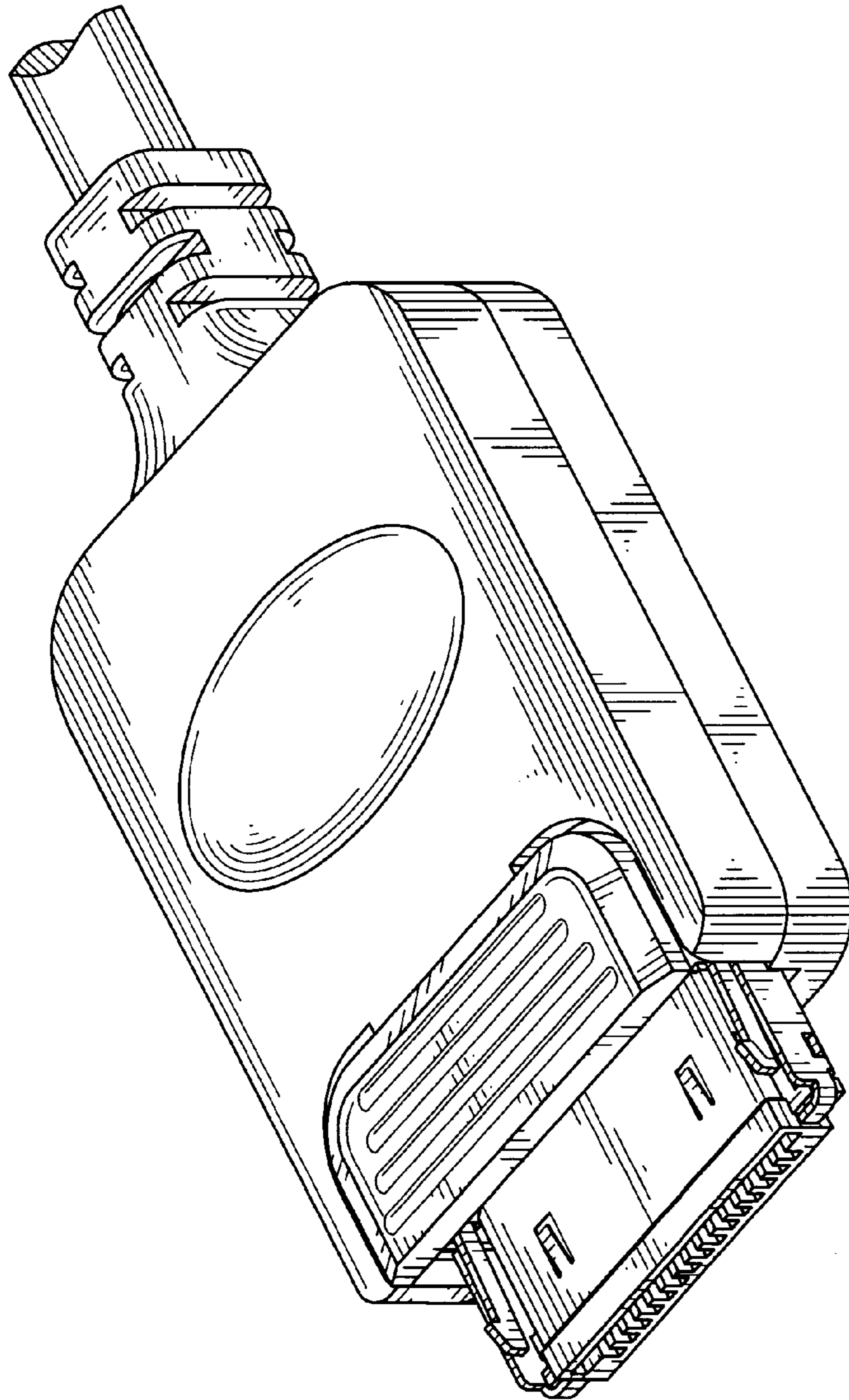


FIG.1

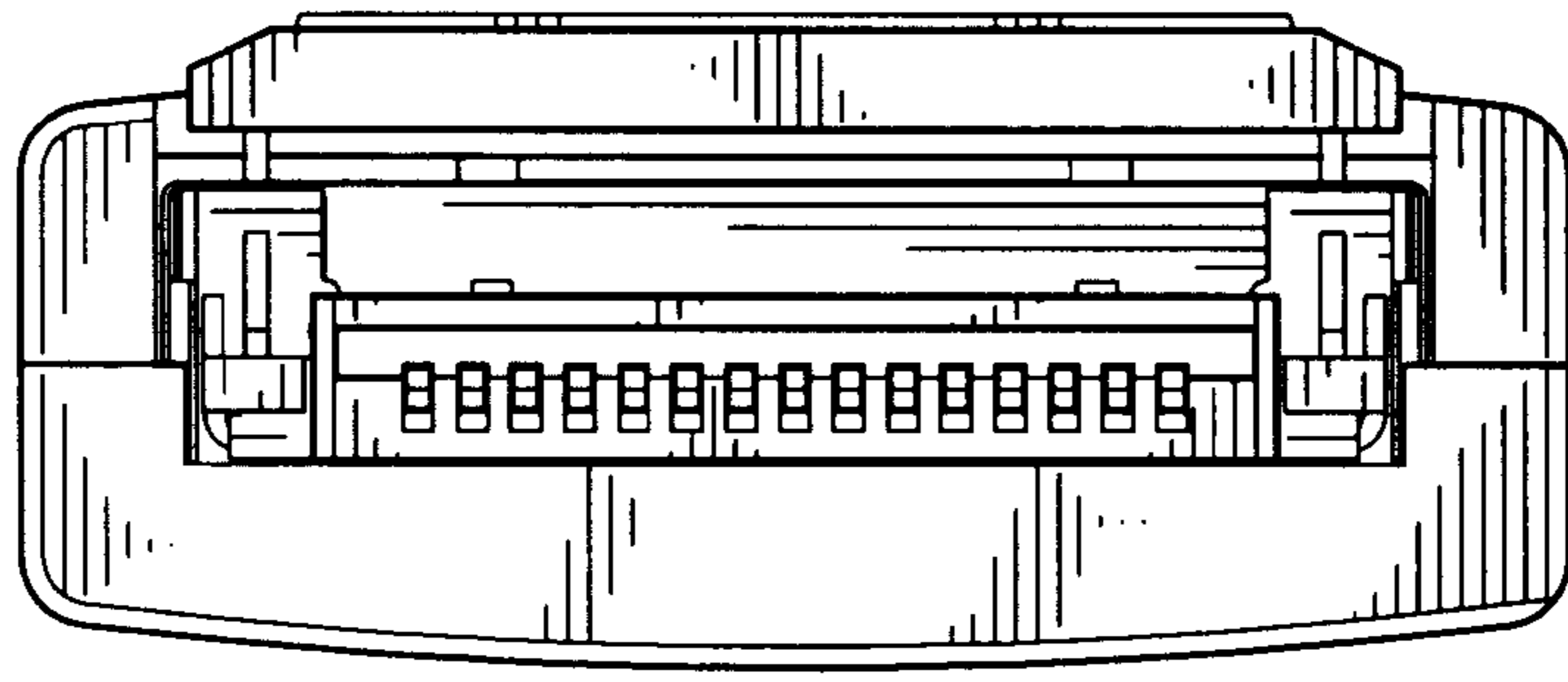


FIG. 2

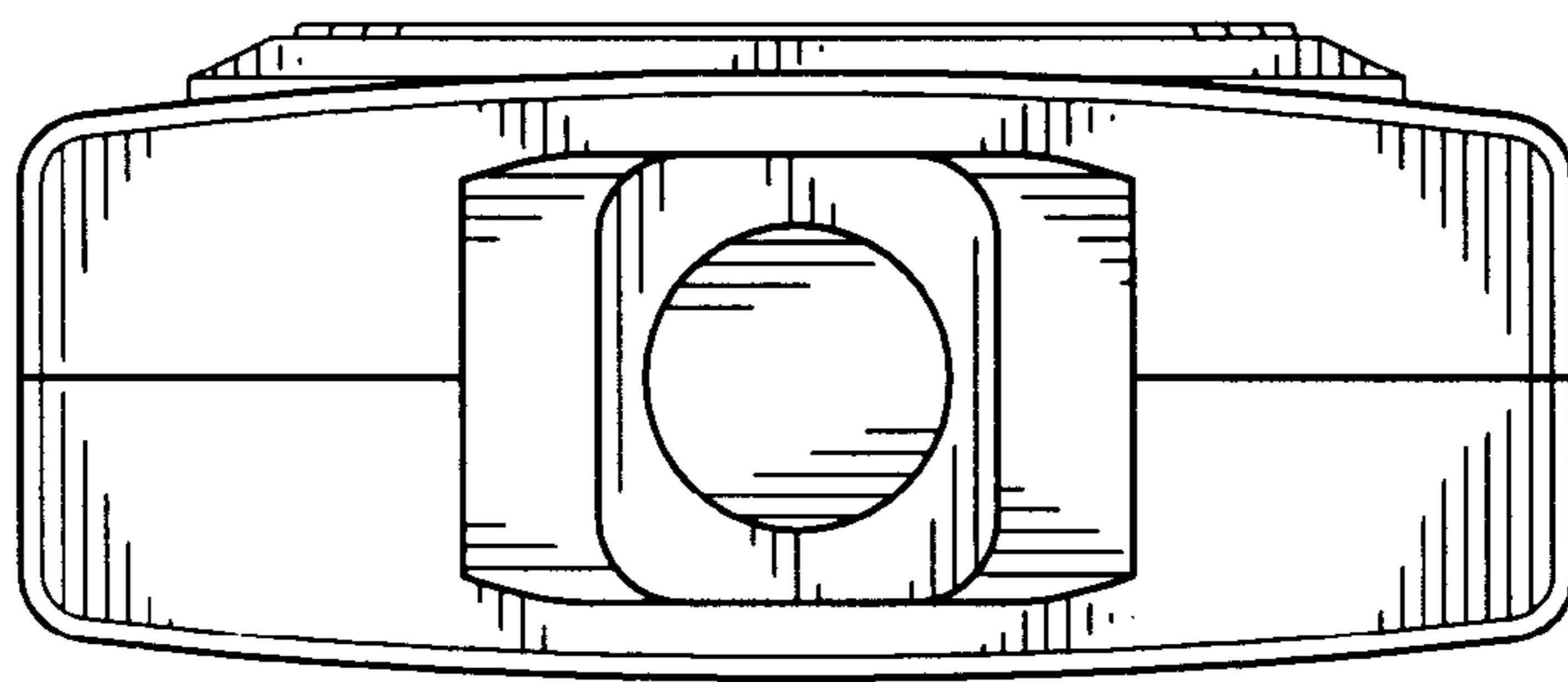


FIG. 3

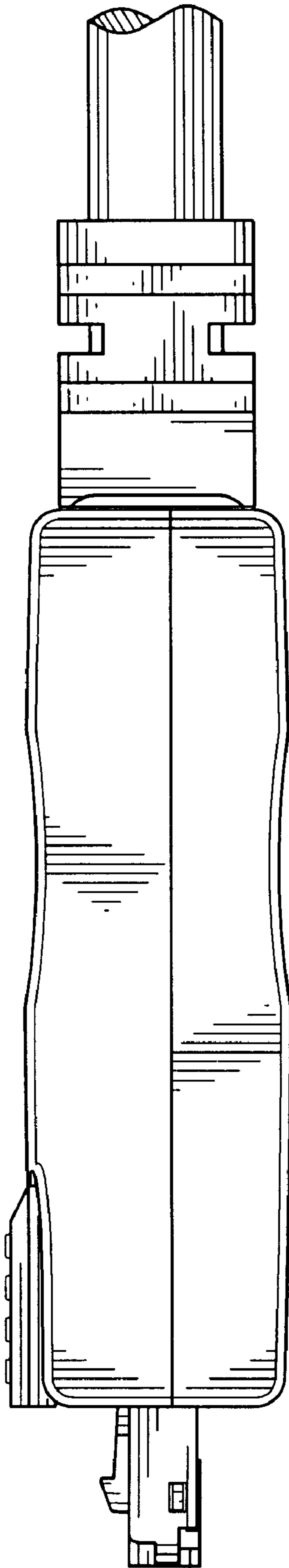


FIG. 4

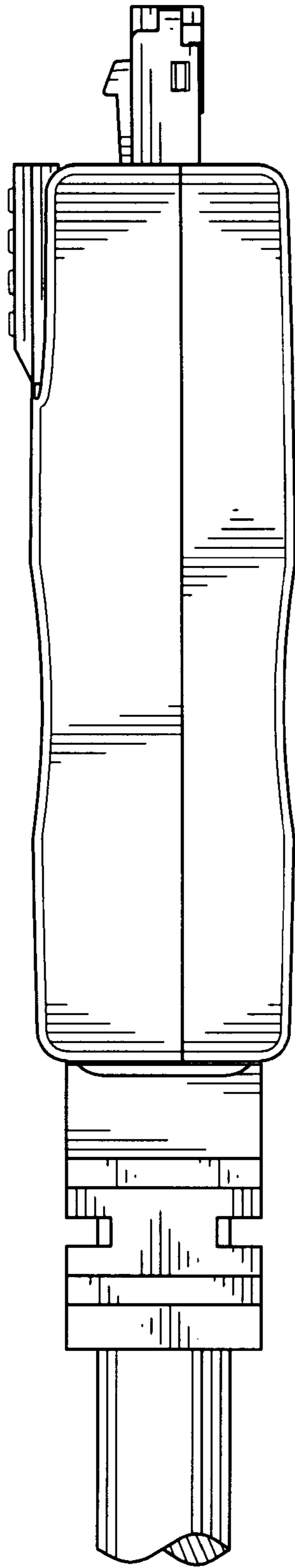


FIG. 5

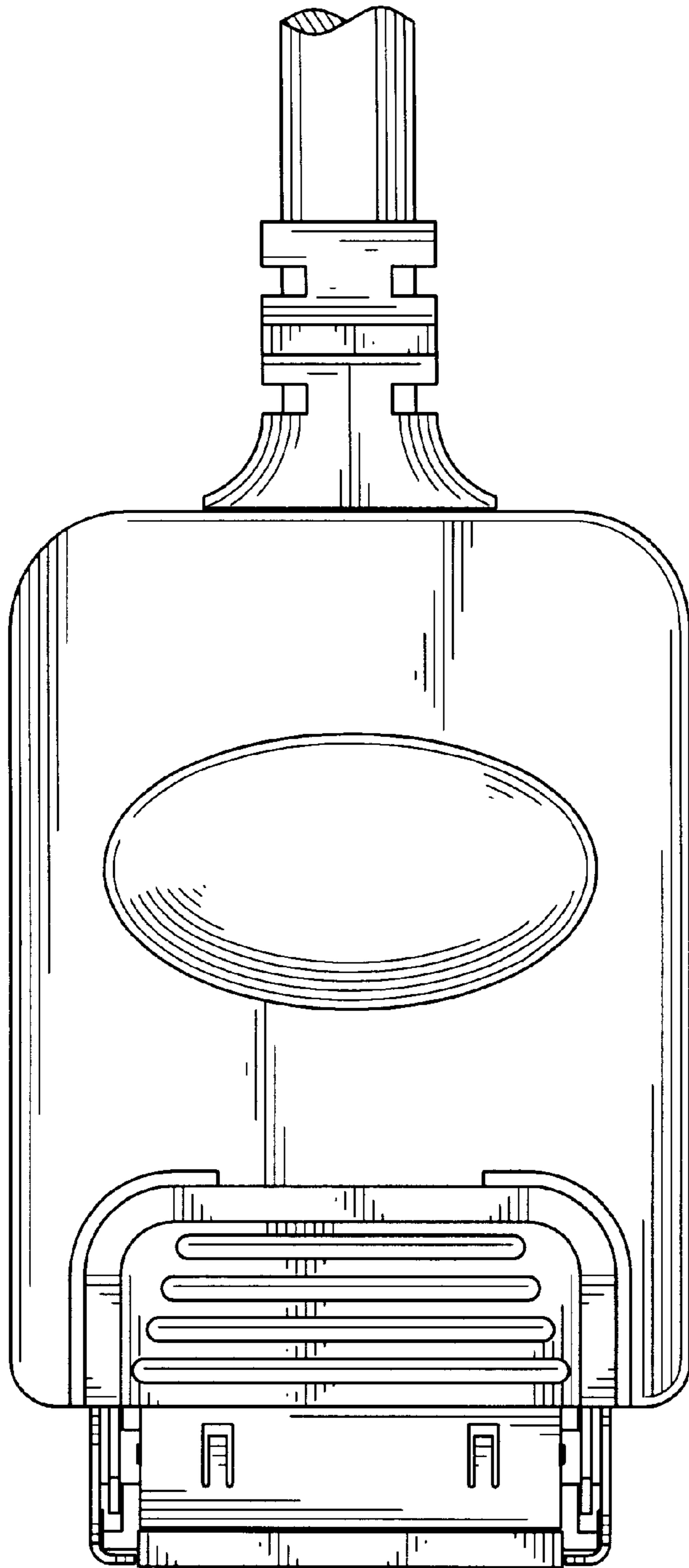


FIG. 6

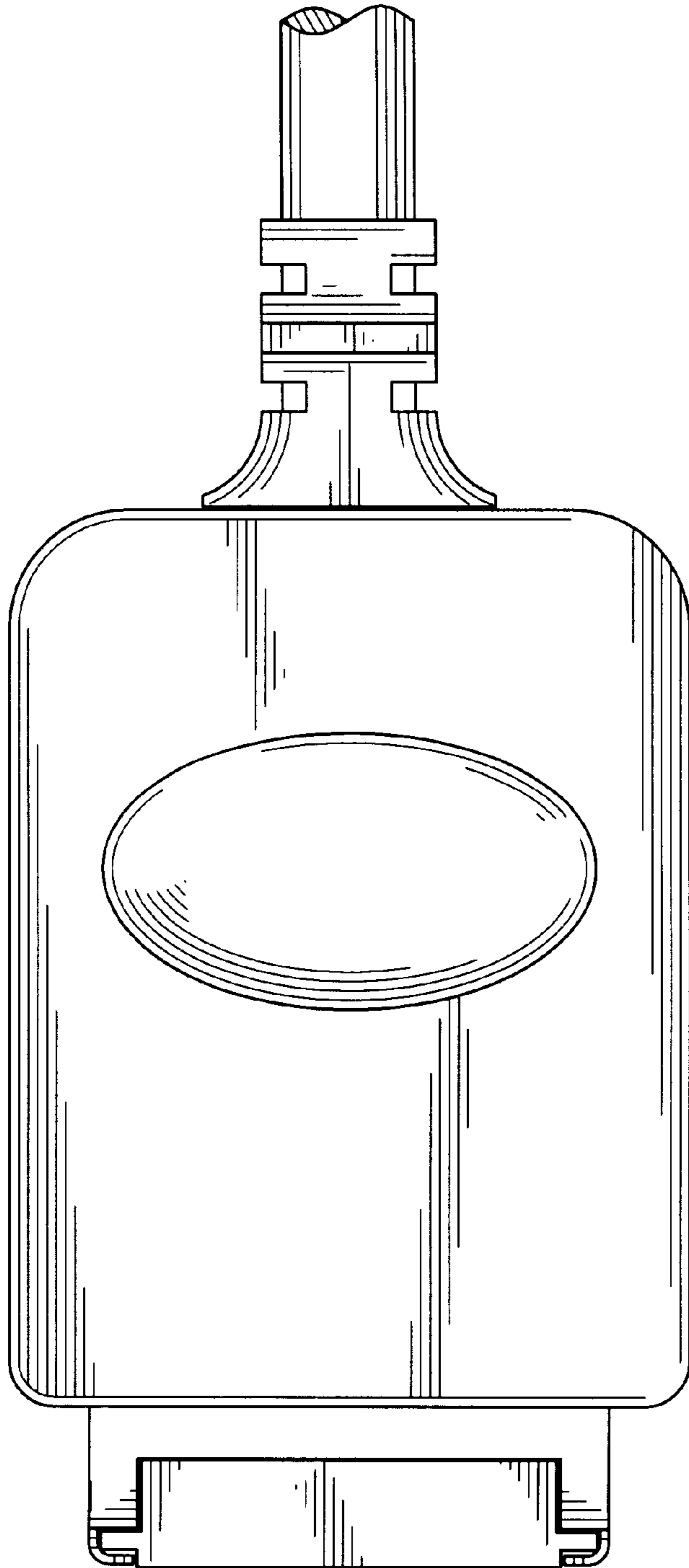


FIG. 7