



US00D422559S

United States Patent [19] Tsai

[11] **Patent Number: Des. 422,559**

[45] **Date of Patent: ** Apr. 11, 2000**

[54] **CABLE CONNECTOR ASSEMBLY**

[75] Inventor: **Thomas R. L. Tsai**, Tu-Chen, Taiwan

[73] Assignee: **Hon Hai Precision Ind. Co., Ltd.**,
Taipei Hsien, Taiwan

[**] Term: **14 Years**

[21] Appl. No.: **29/104,817**

[22] Filed: **May 10, 1999**

[30] **Foreign Application Priority Data**

Dec. 18, 1998 [TW] Taiwan 87309236

[51] **LOC (6) Cl.** **13-03**

[52] **U.S. Cl.** **D13/147**

[58] **Field of Search** D13/146, 147;
439/607, 610, 638, 686

[56] **References Cited**

U.S. PATENT DOCUMENTS

D. 409,149 5/1999 Oikawa D13/147 X

D. 413,893 9/1999 Luzbetak et al. D13/147 X
D. 416,542 11/1999 Tsai D13/147 X
D. 416,543 11/1999 Tsai D13/147 X

Primary Examiner—Joel Sincavage
Attorney, Agent, or Firm—Wei Te Chung

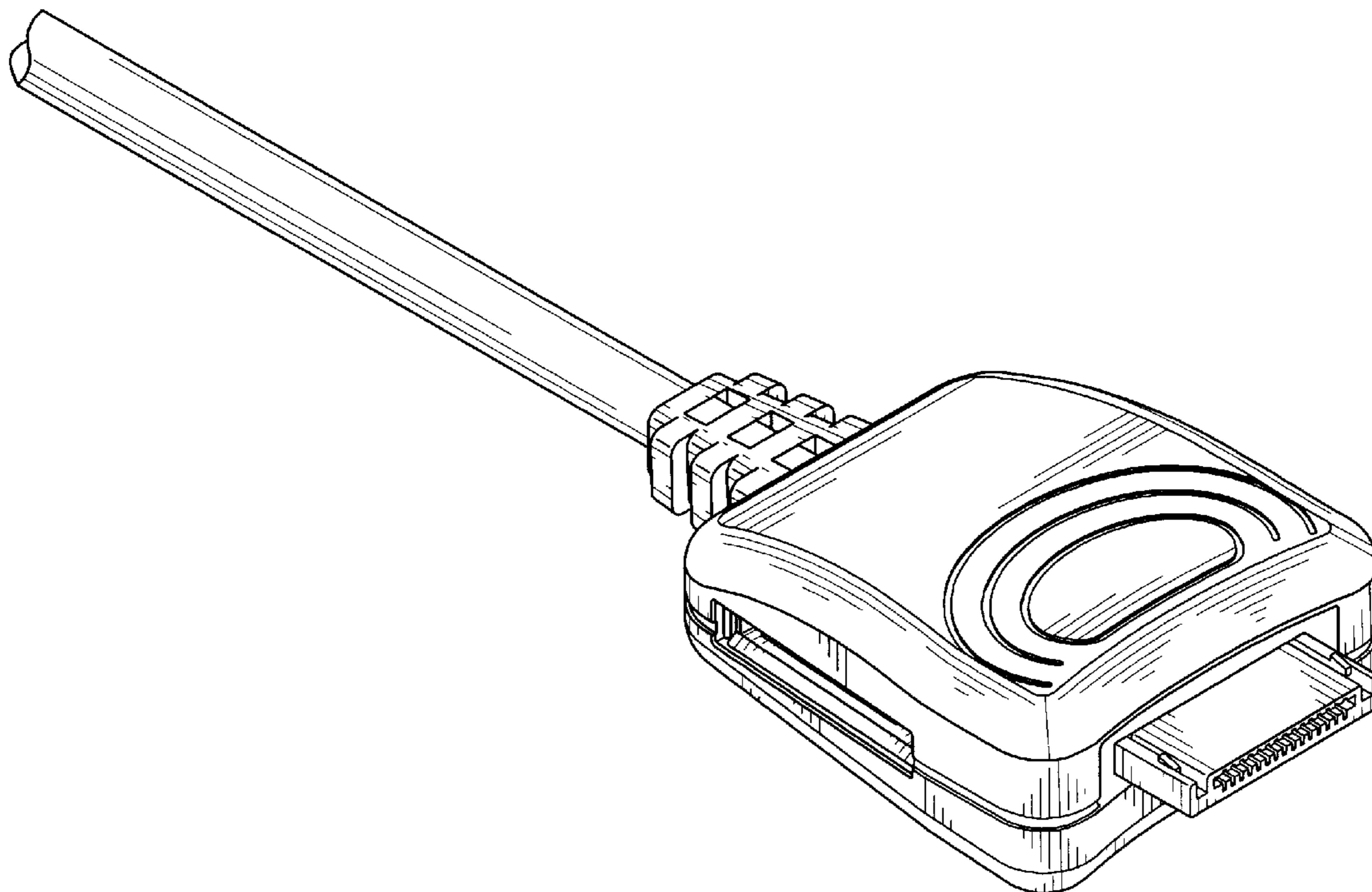
[57] **CLAIM**

The ornamental design for a cable connector assembly, as shown.

DESCRIPTION

FIG. 1 is a front-right-top perspective view of a cable connector assembly showing my new design; FIG. 2 is a front elevational view thereof; FIG. 3 is a rear elevational view thereof; FIG. 4 is a right side elevational view thereof; FIG. 5 is a left side elevational view thereof; FIG. 6 is a top plan view thereof; and, FIG. 7 is a bottom plan view thereof.

1 Claim, 5 Drawing Sheets



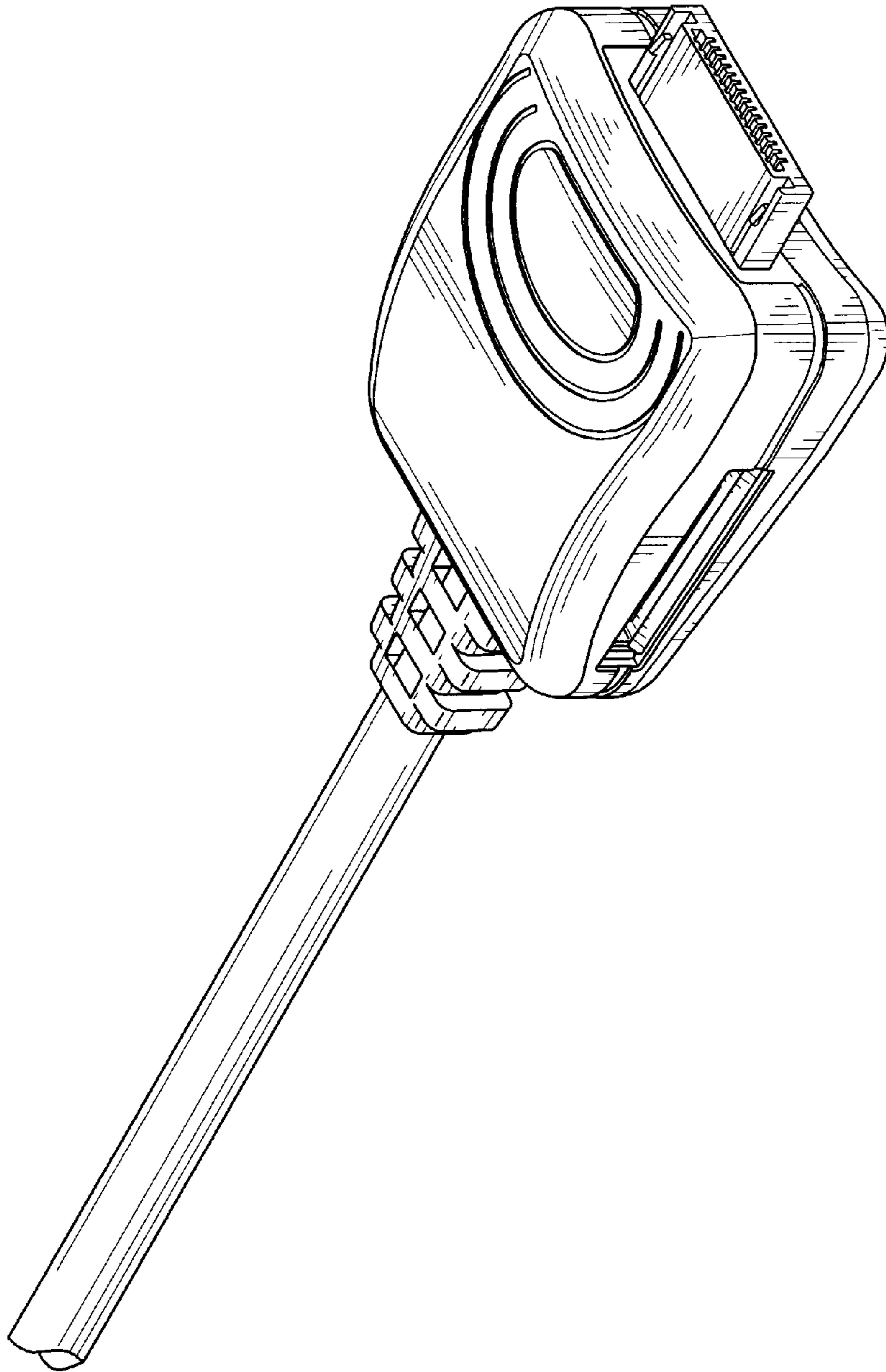


FIG. 1

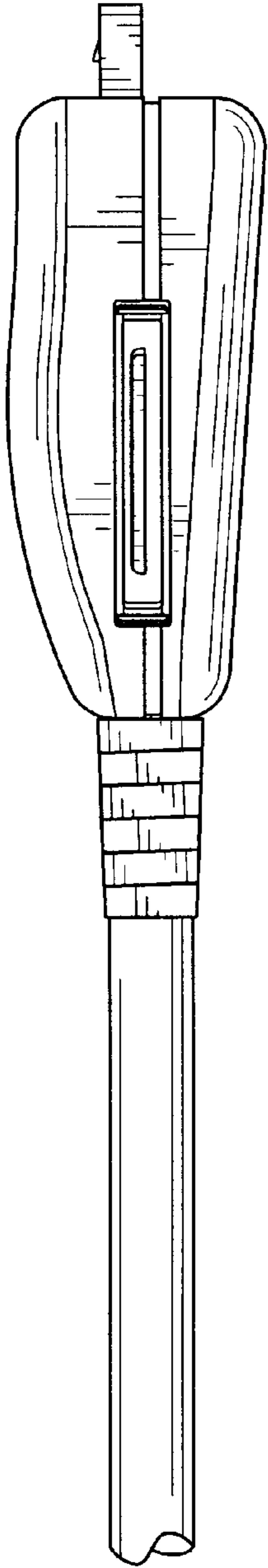


FIG. 2

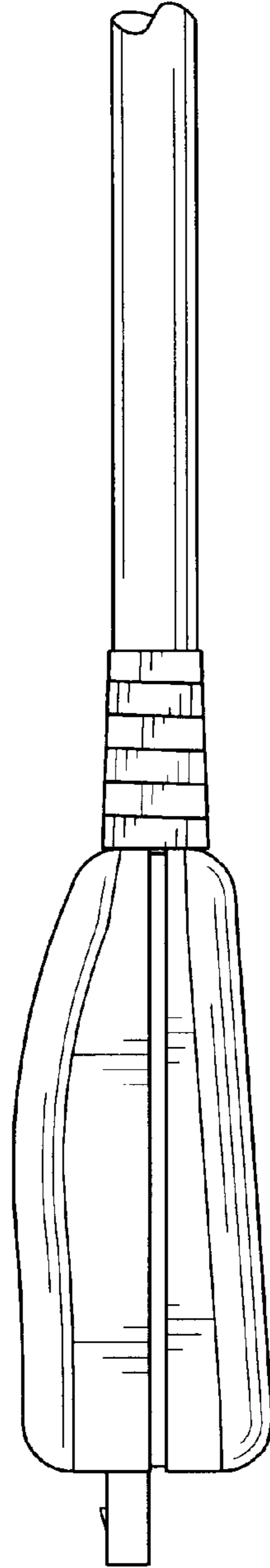


FIG. 3

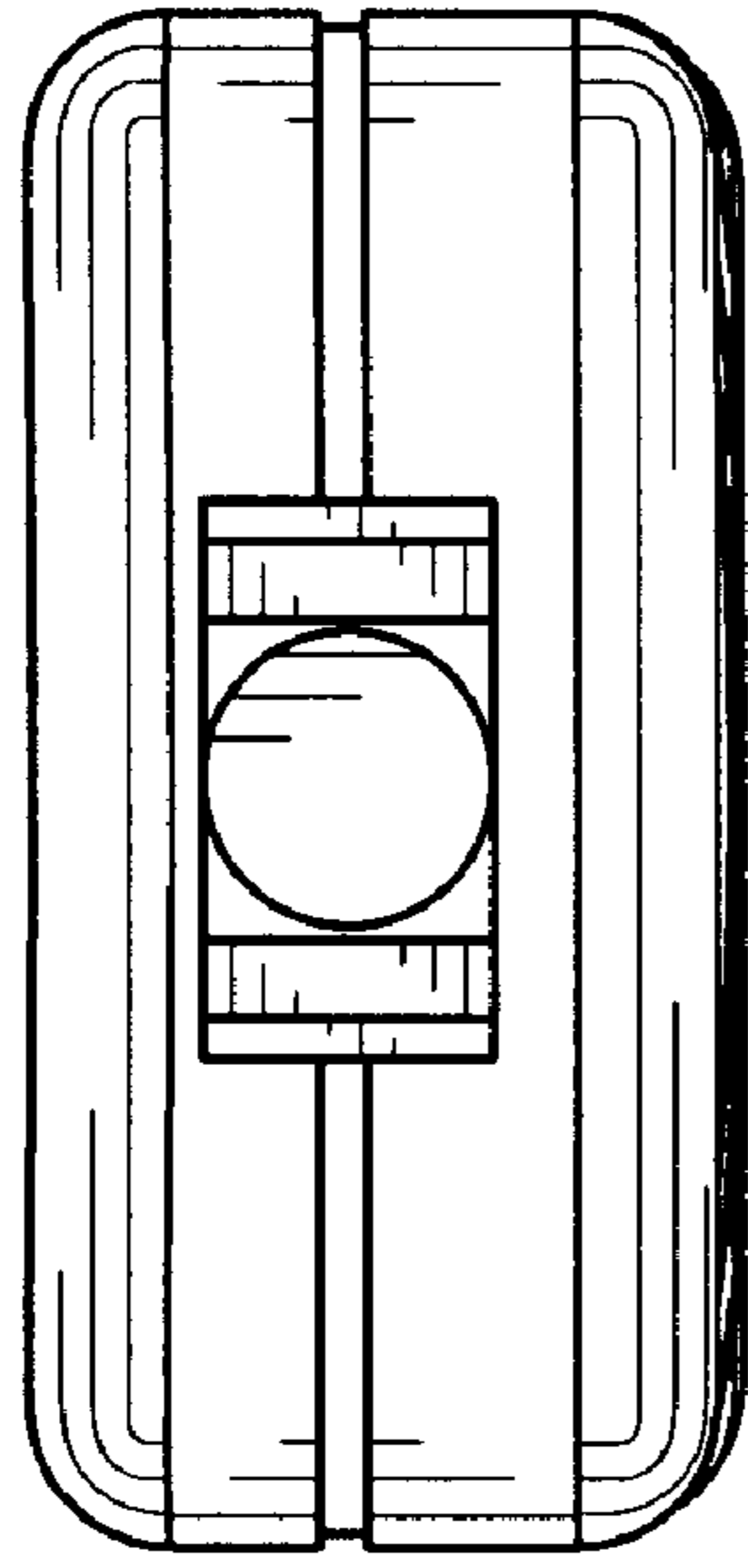


FIG. 5

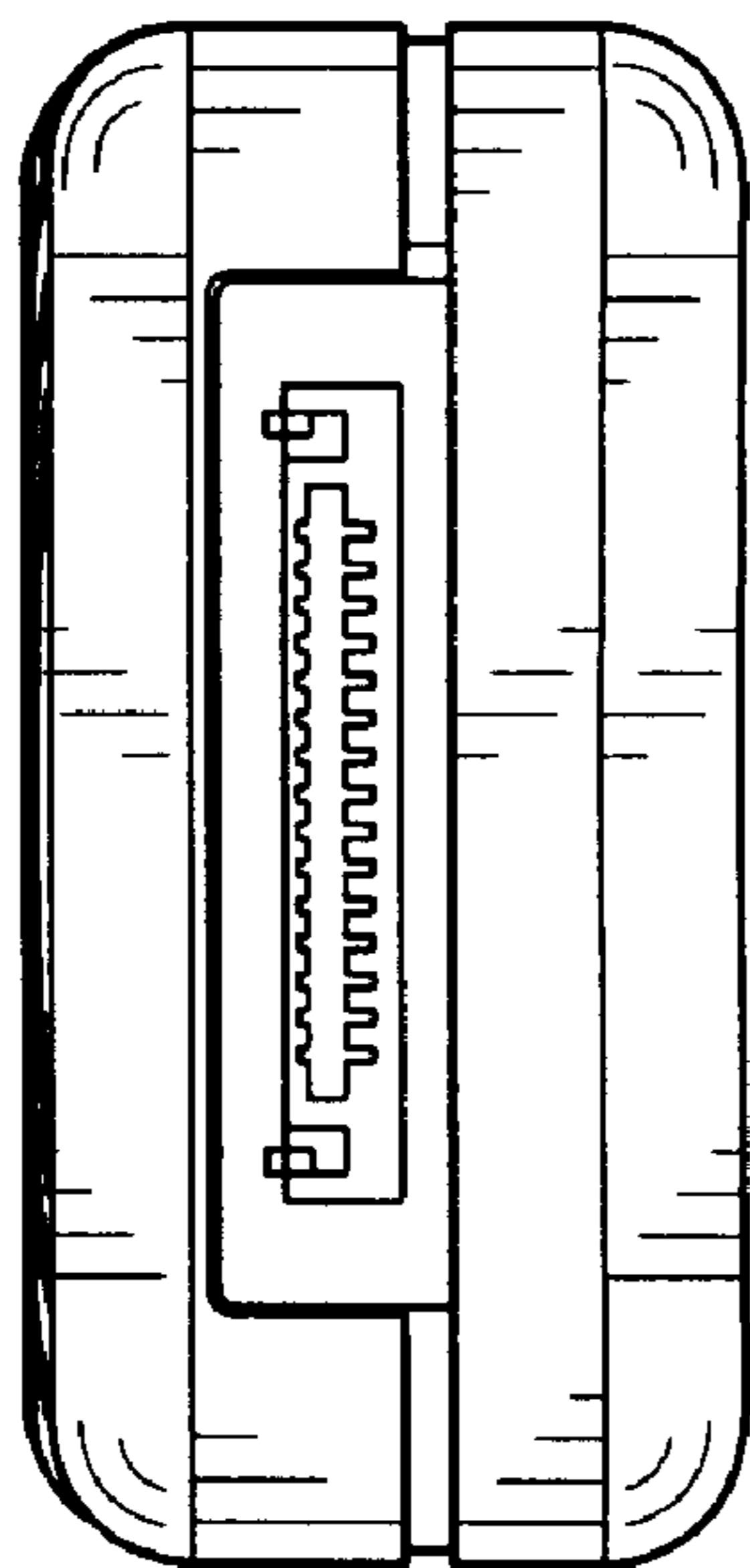


FIG. 4

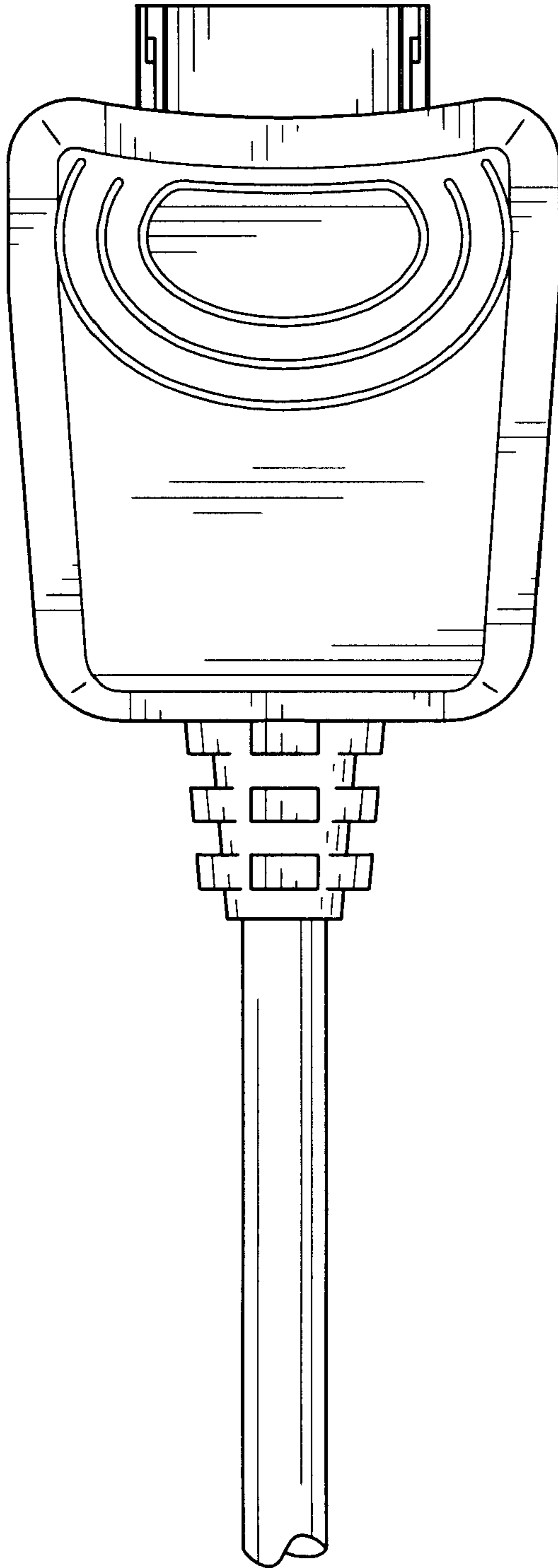


FIG. 6

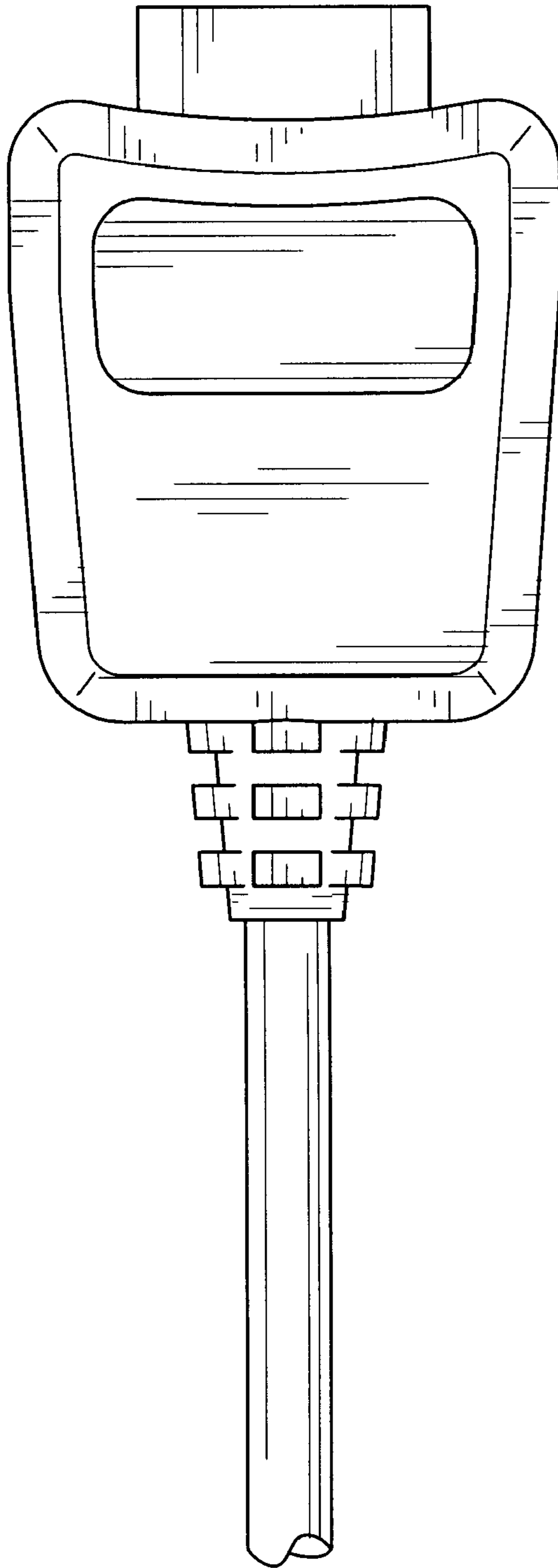


FIG. 7