



US00D422558S

United States Patent [19]

Reiss

[11] **Patent Number: Des. 422,558**

[45] **Date of Patent: ** Apr. 11, 2000**

[54] **ELECTRICAL CONNECTOR HAVING MALE AND FEMALE PORTIONS**

5,276,755 1/1994 Longhurst 385/88
5,619,604 4/1997 Shiflett et al. 385/59

[75] Inventor: **Hans William Reiss**, Encinitas, Calif.

Primary Examiner—Joel Sincavage
Attorney, Agent, or Firm—Frank D. Gilliam

[73] Assignee: **Med Serv Group, Inc.**, Vista, Calif.

[57] **CLAIM**

[**] Term: **14 Years**

The ornamental design for a connector having male and female portions, as shown and described.

[21] Appl. No.: **29/106,829**

[22] Filed: **Jun. 21, 1999**

DESCRIPTION

[51] **LOC (6) Cl.** **13-03**

[52] **U.S. Cl.** **D13/133**

[58] **Field of Search** D13/133, 146,
D13/147; 439/680, 638; 385/58, 59, 88,
89, 92

FIG. 1 is a perspective view of the male and female portions of the connector;

FIG. 2 is a front view of male portion of the connector of FIG. 1;

FIG. 3 is a top plan view of the male portion of the connector of FIG. 1, the bottom plan view being identical;

FIG. 4 is a side view of the male portion of the connector of FIG. 1, both the opposite side being a mirror image.

FIG. 5 is a front view of female portion of the connector of bottom view of FIG. 1;

FIG. 6 is a top plan view of the female portion of the connector of FIG. 1;

FIG. 7 is a bottom plan view of the female portion of the connector of FIG. 1; and,

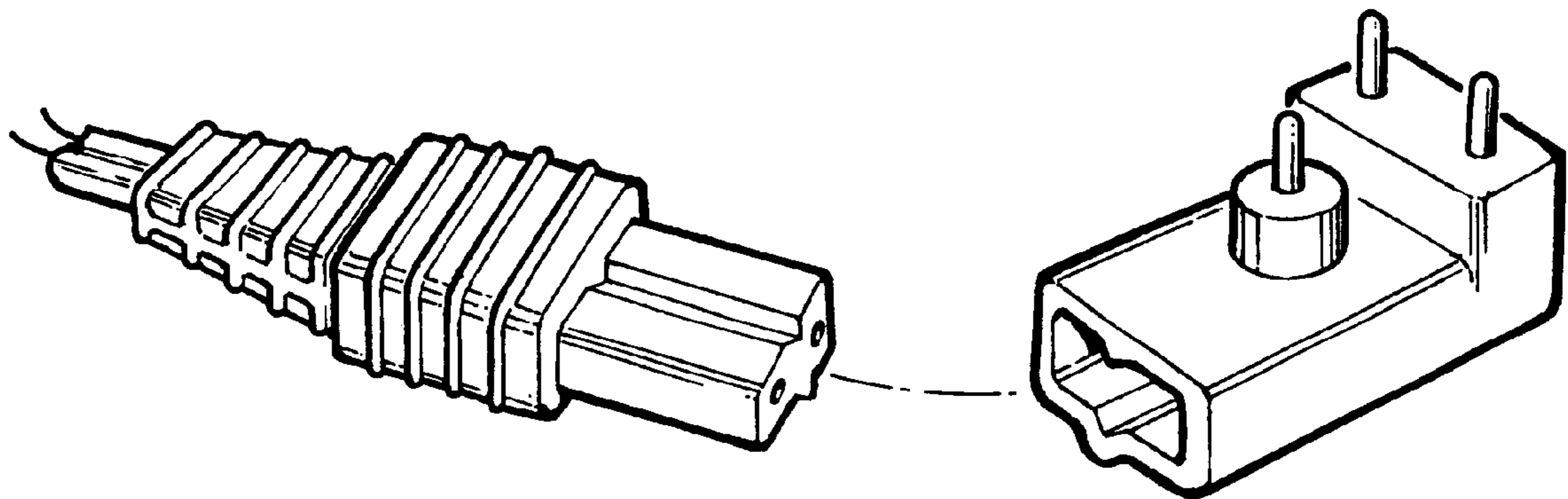
FIG. 8 is a side view of the female portion of the connector of FIG. 1, the opposite side being a mirror image.

[56] **References Cited**

U.S. PATENT DOCUMENTS

D. 253,409	11/1979	Voelkert	D13/133
D. 286,397	10/1986	Challans	D13/133
D. 287,238	12/1986	Challans	D13/133
D. 290,458	6/1987	O'Leary	D13/147
D. 293,313	12/1987	Justiano et al.	D13/133
D. 355,163	2/1995	Dolson et al.	D13/146
3,824,524	7/1974	Glover	439/282
4,427,879	1/1984	Becher et al.	250/215
4,762,388	8/1988	Tanaka et al.	385/58

1 Claim, 1 Drawing Sheet



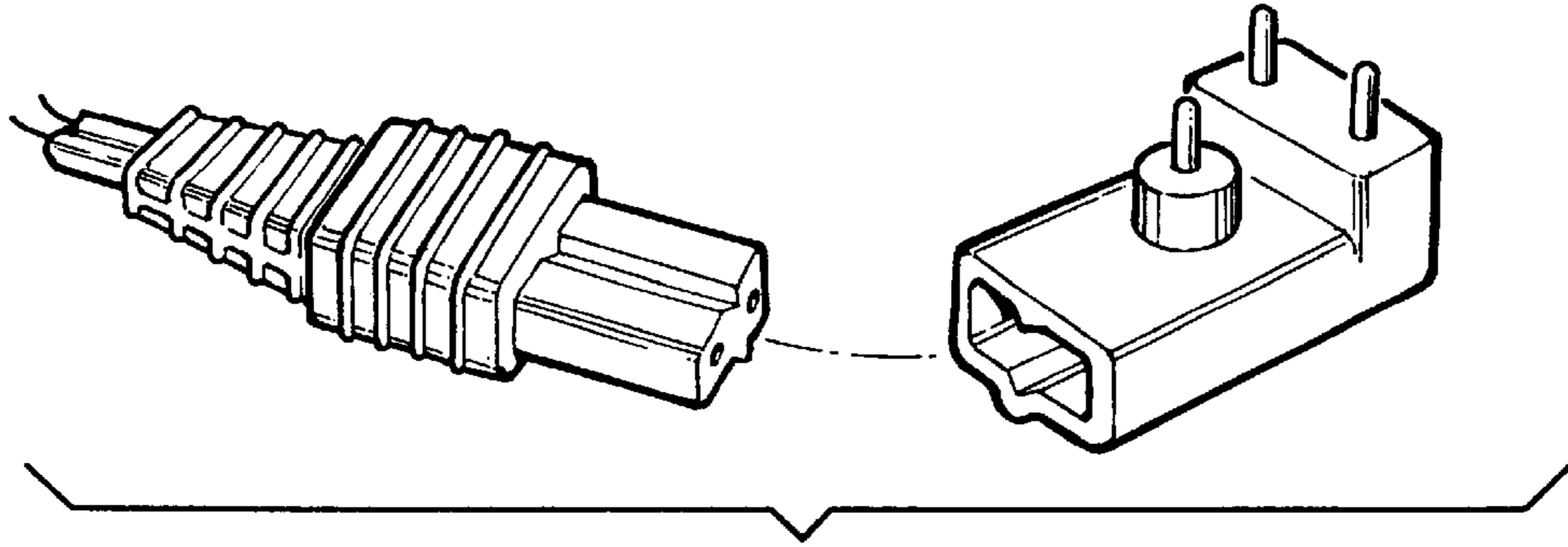


FIGURE 1

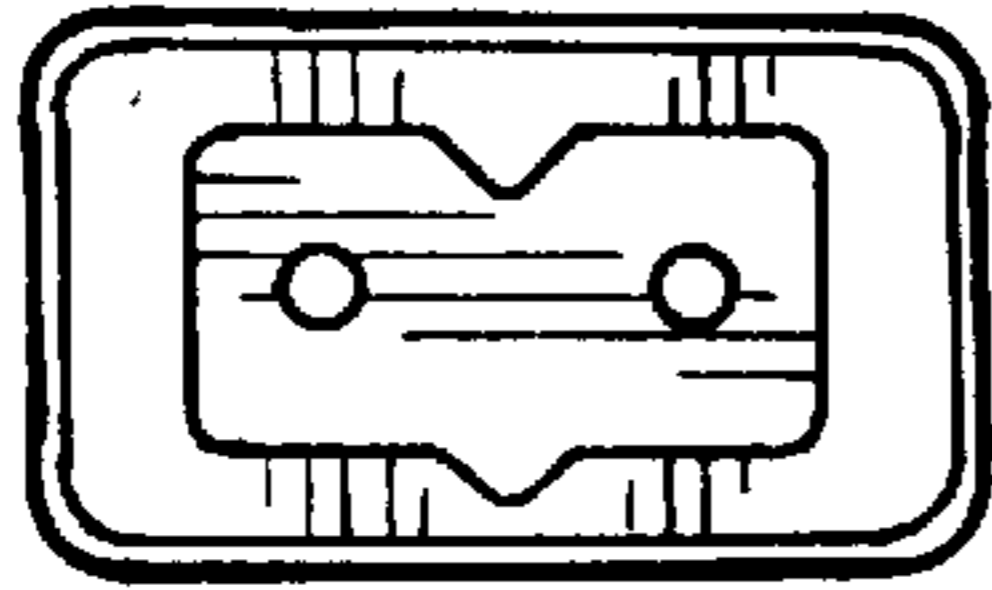


FIGURE 2

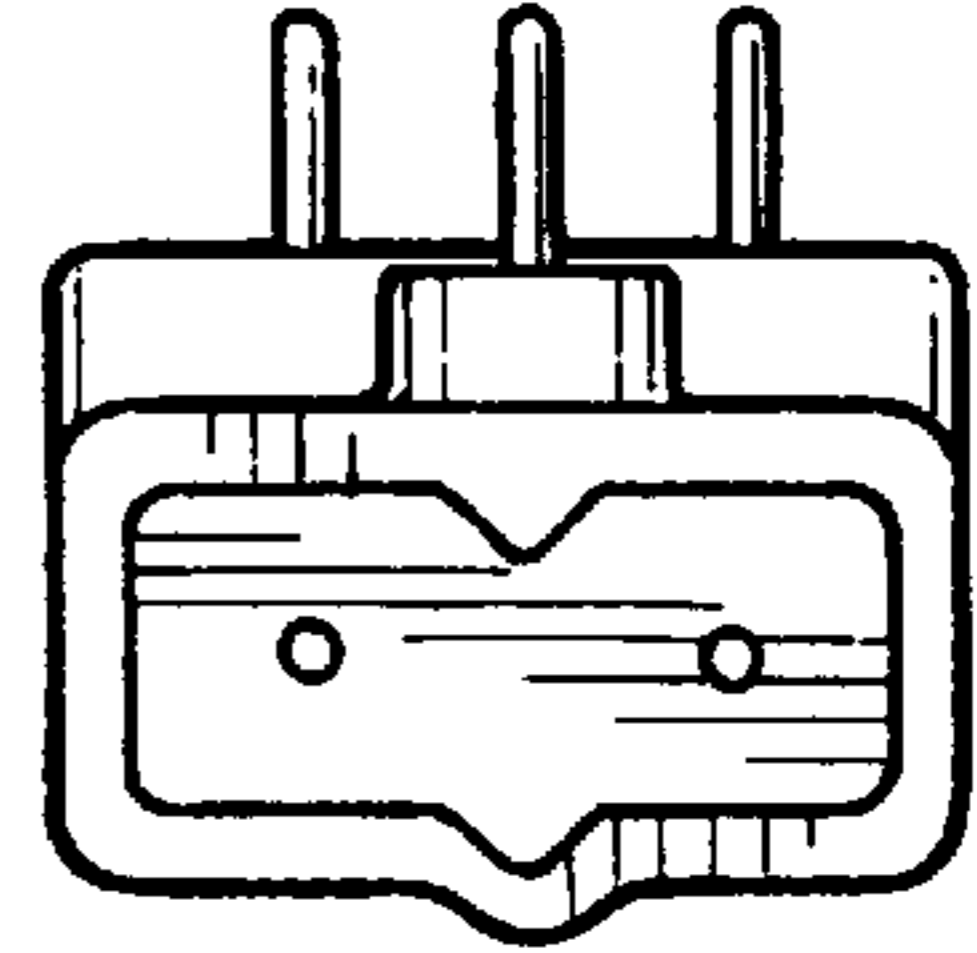


FIGURE 5

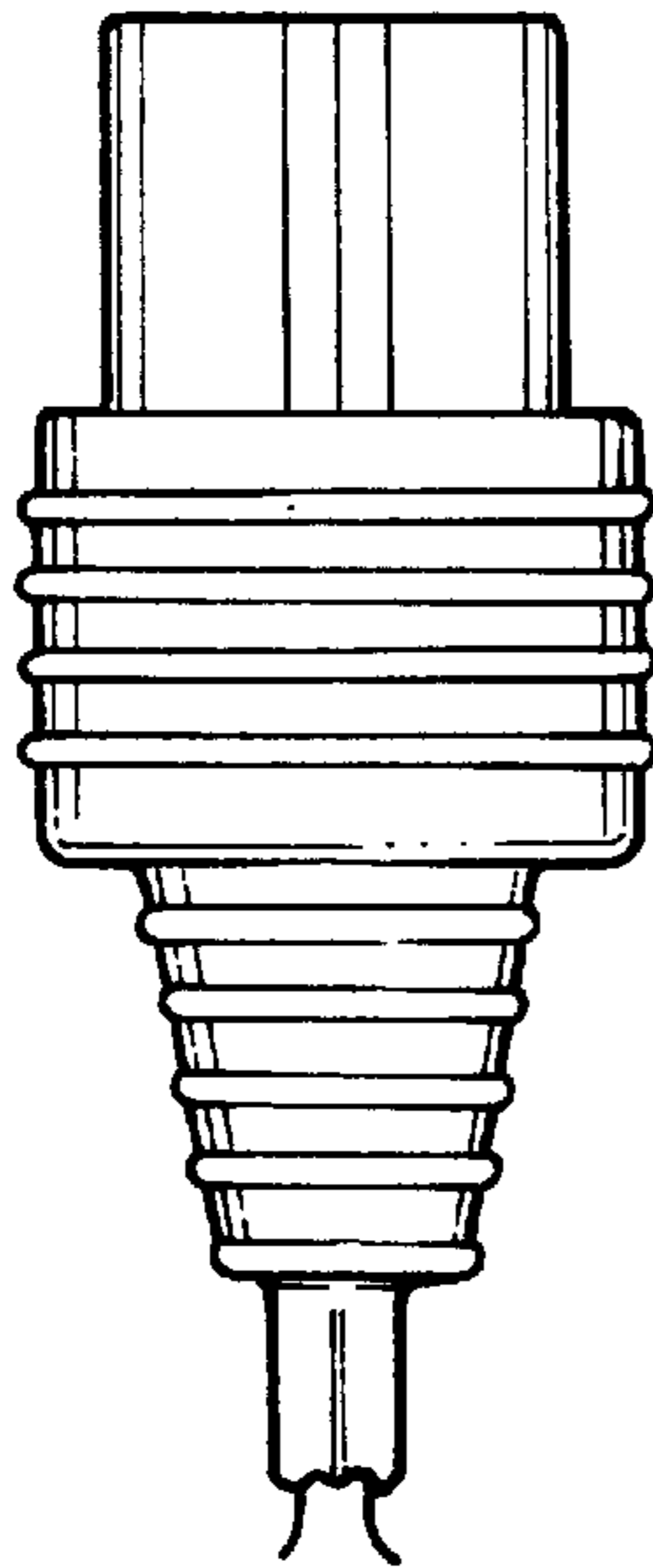


FIGURE 3

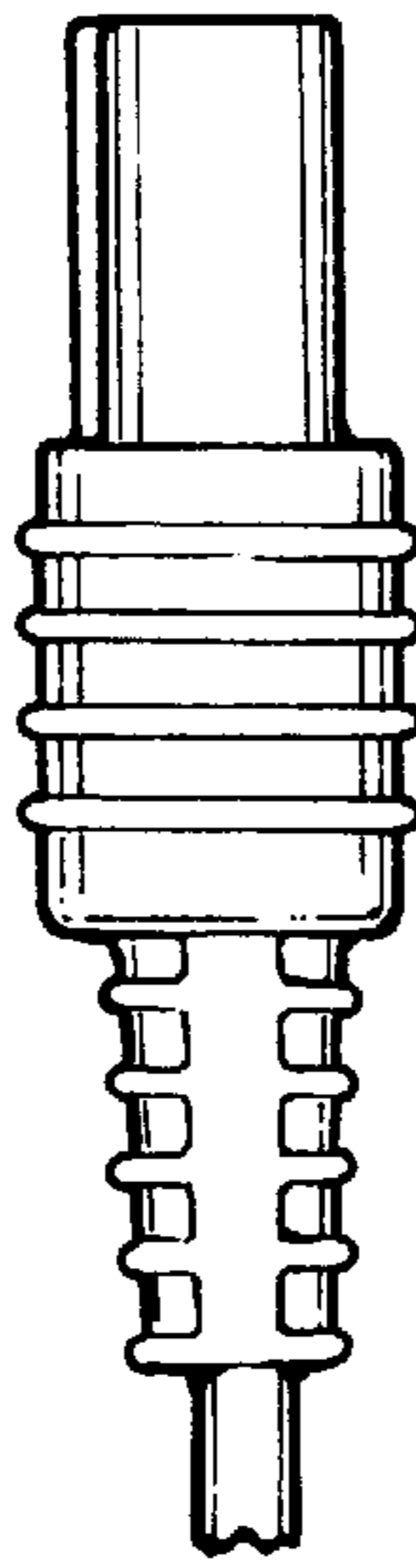


FIGURE 4

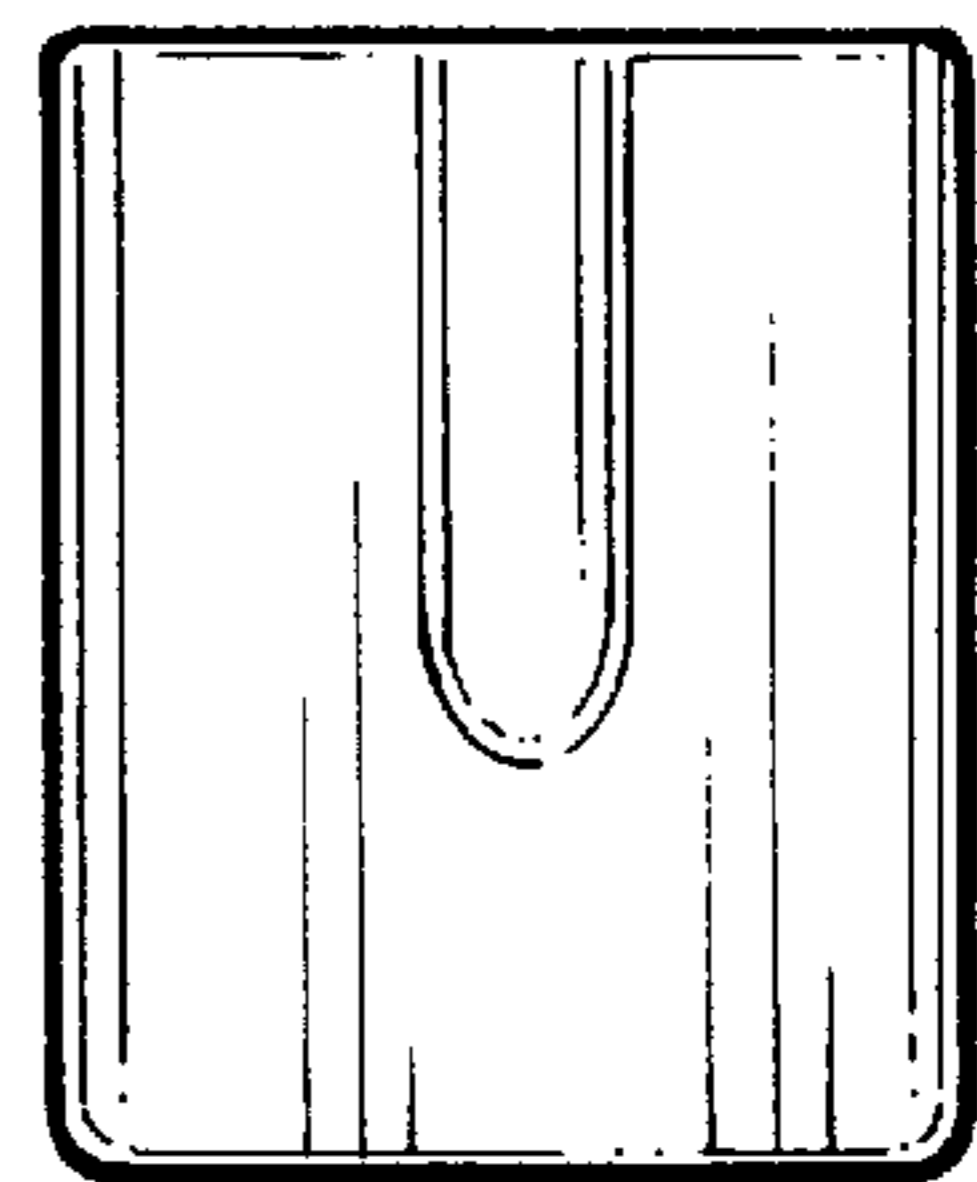


FIGURE 6

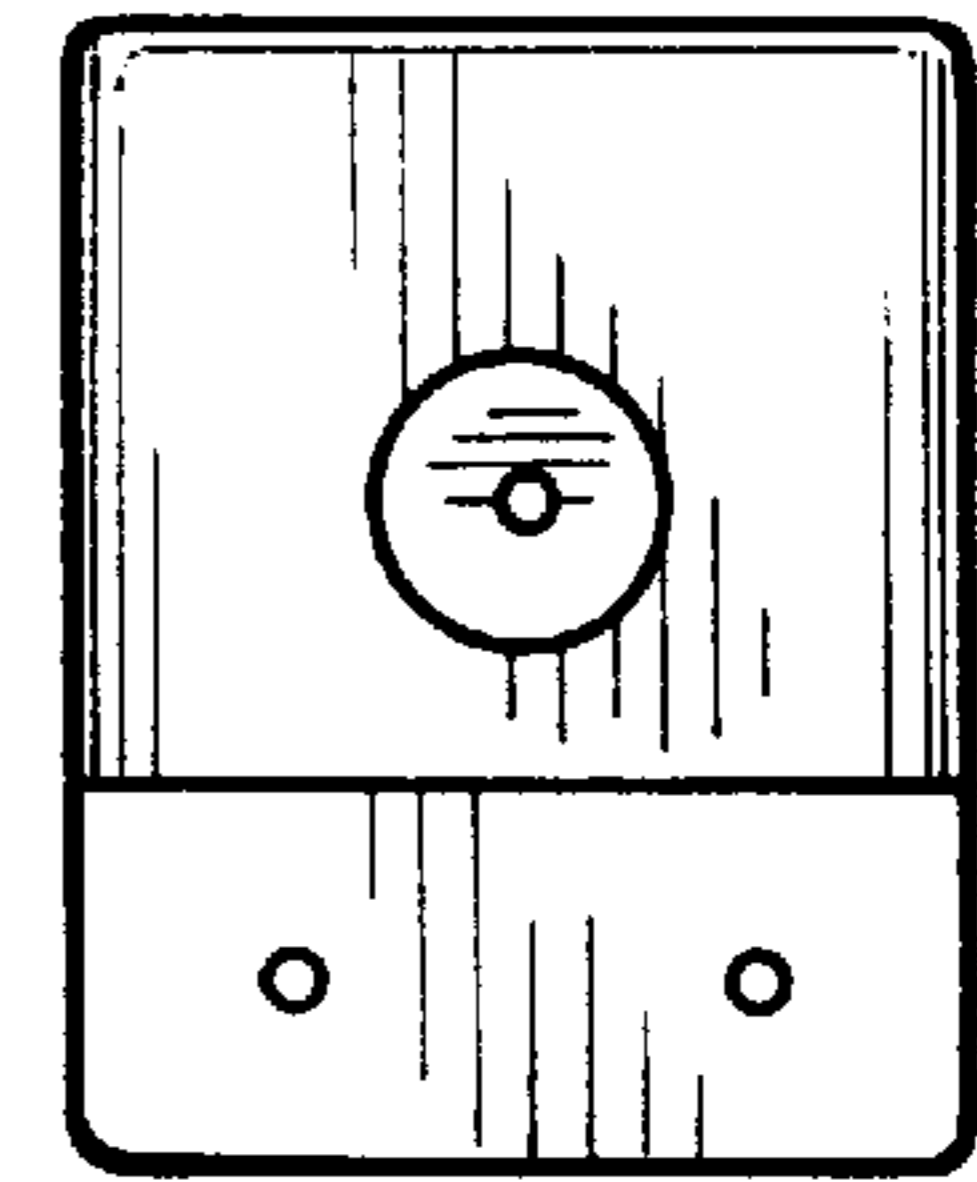


FIGURE 7

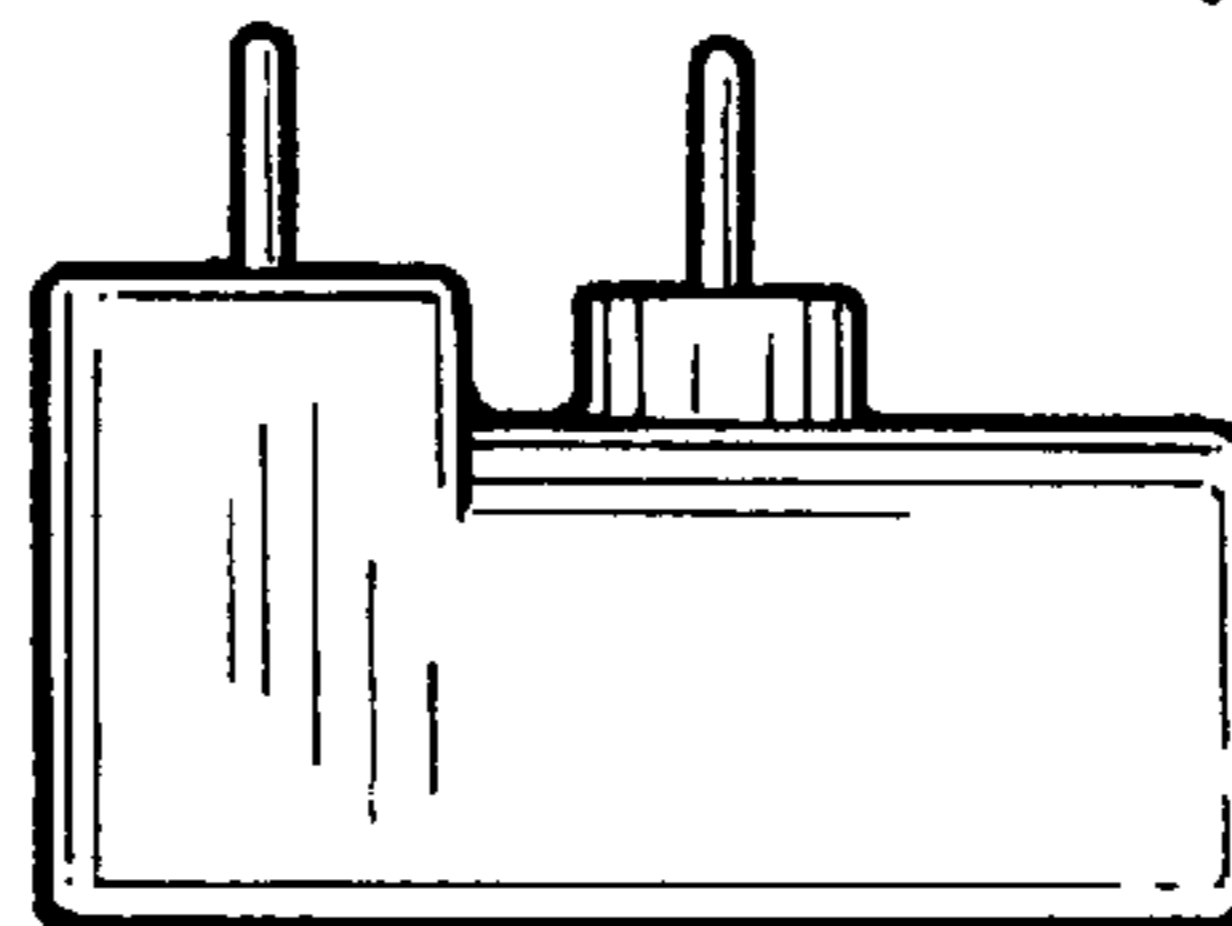


FIGURE 8