



US00D422557S

United States Patent [19] Grace

[11] Patent Number: Des. 422,557

[45] Date of Patent: ** Apr. 11, 2000

[54] TRANSFORMER PARKING STAND

5,352,984 10/1994 Piesinger 324/532
5,742,489 4/1998 Riesland 361/836

[75] Inventor: James A. Grace, Jefferson City, Mo.

[73] Assignee: ABB Power T&D Company Inc.,
Raleigh, N.C.

Primary Examiner—Joel Sincavage
Attorney, Agent, or Firm—Woodcock Washburn Kurtz
Mackiewicz & Norris LLP

[**] Term: 14 Years

[57] CLAIM

[21] Appl. No.: 29/103,428

The ornamental design for a “transformer parking stand,” as shown and described.

[22] Filed: Apr. 14, 1999

DESCRIPTION

[51] LOC (6) Cl. 13-02

[52] U.S. Cl. D13/118

[58] Field of Search D13/118; D8/354;
248/73, 225.11, 300

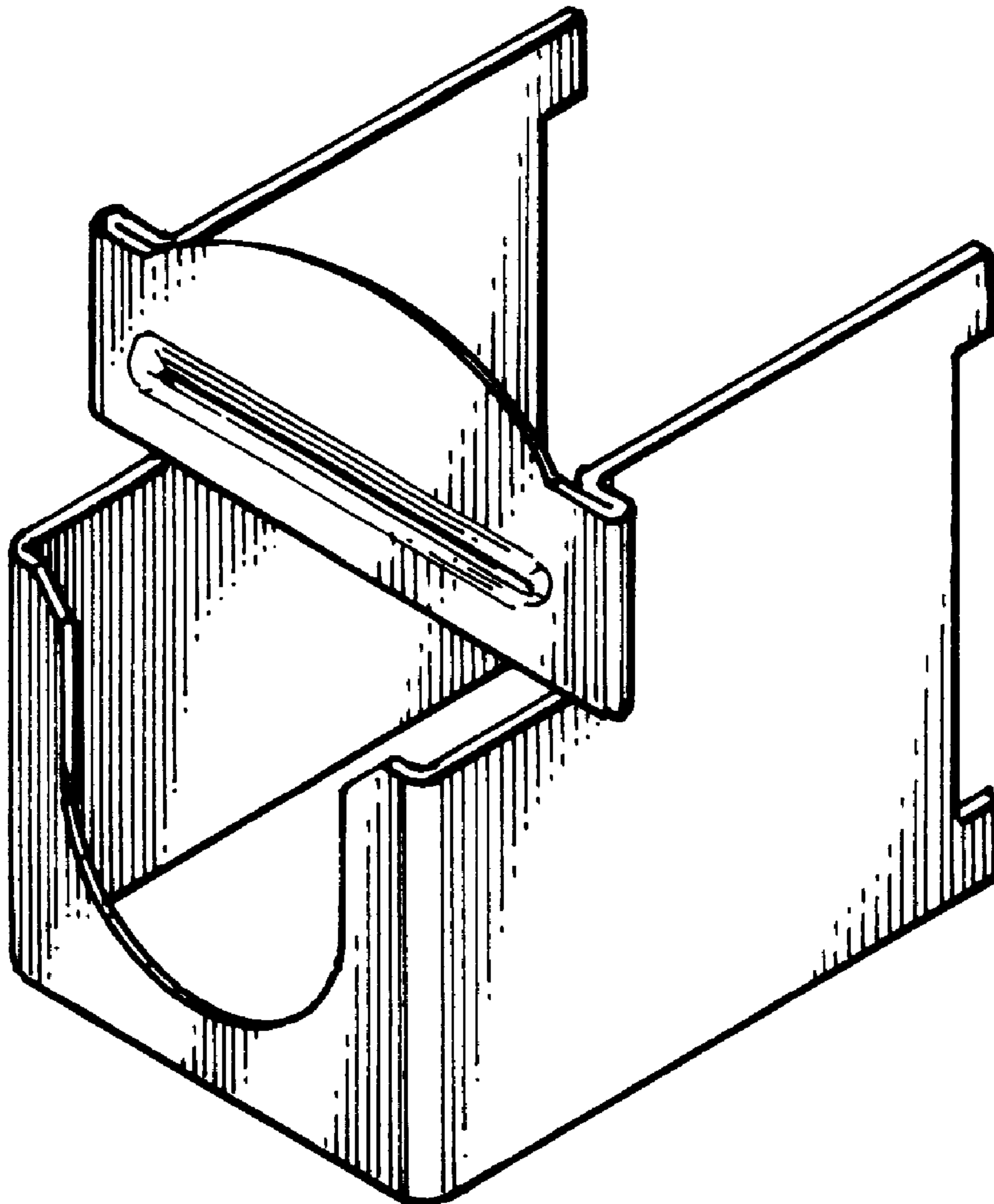
FIG. 1 is a front perspective view of a transformer parking stand;
FIG. 2 is a front elevation view thereof;
FIG. 3 is a back elevation view thereof;
FIG. 4 is a top plan view thereof;
FIG. 5 is a bottom plan view thereof; and,
FIG. 6 is a right side view thereof which is the same as the left side view thereof.

[56] References Cited

U.S. PATENT DOCUMENTS

D. 398,313 9/1998 Allen D15/143
4,878,639 11/1989 Tempco 248/73

1 Claim, 2 Drawing Sheets



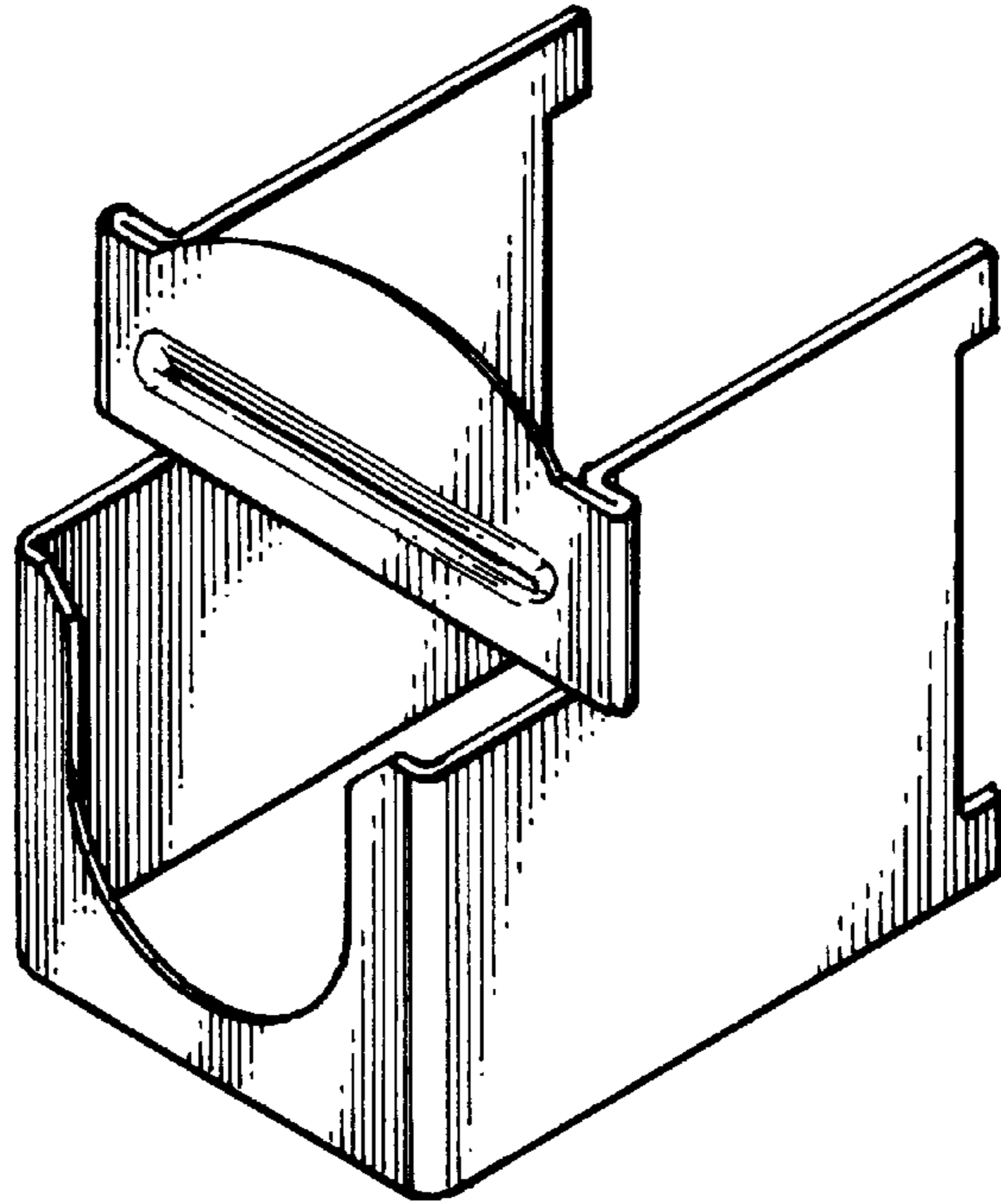


FIG. 1

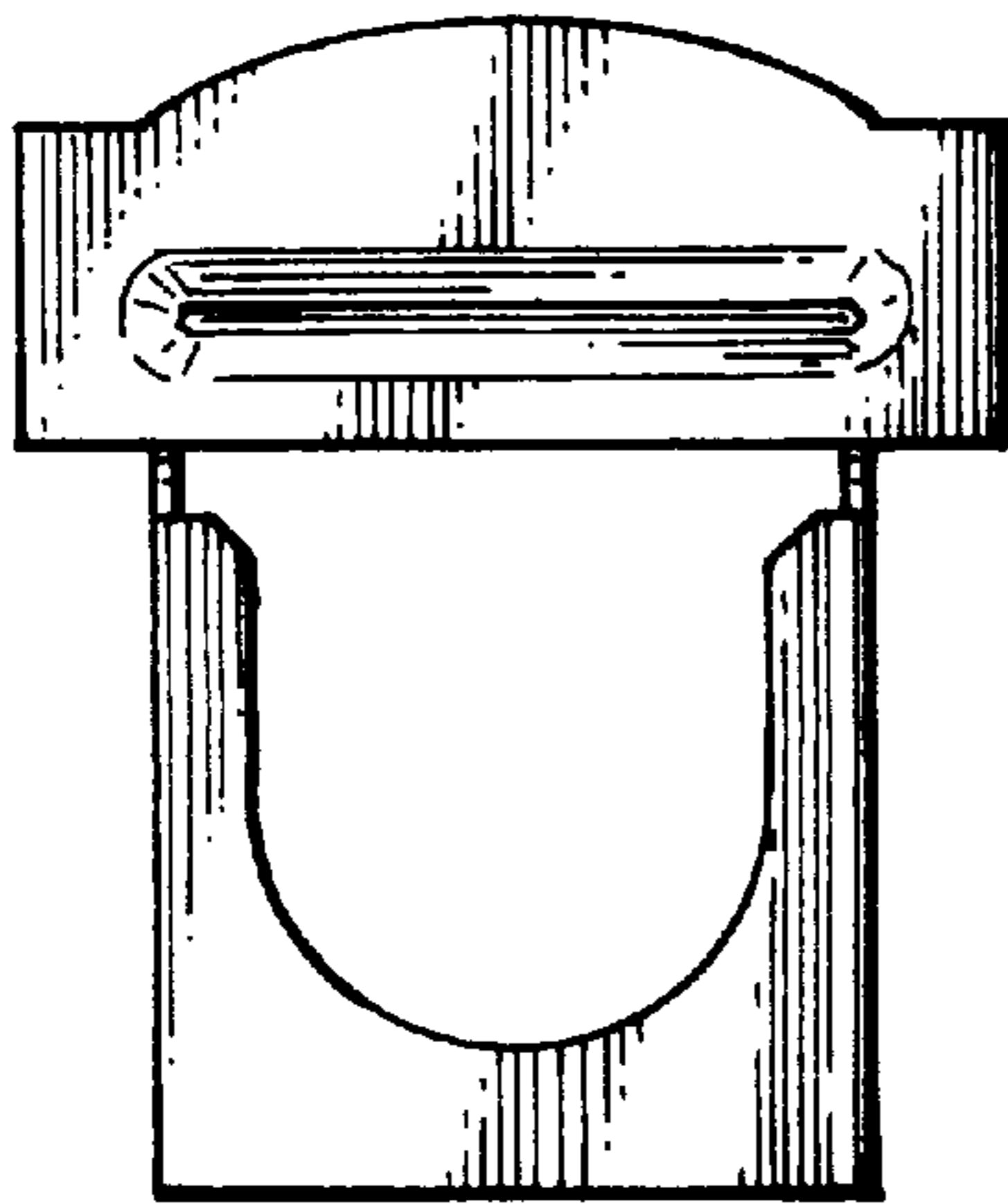


FIG. 2

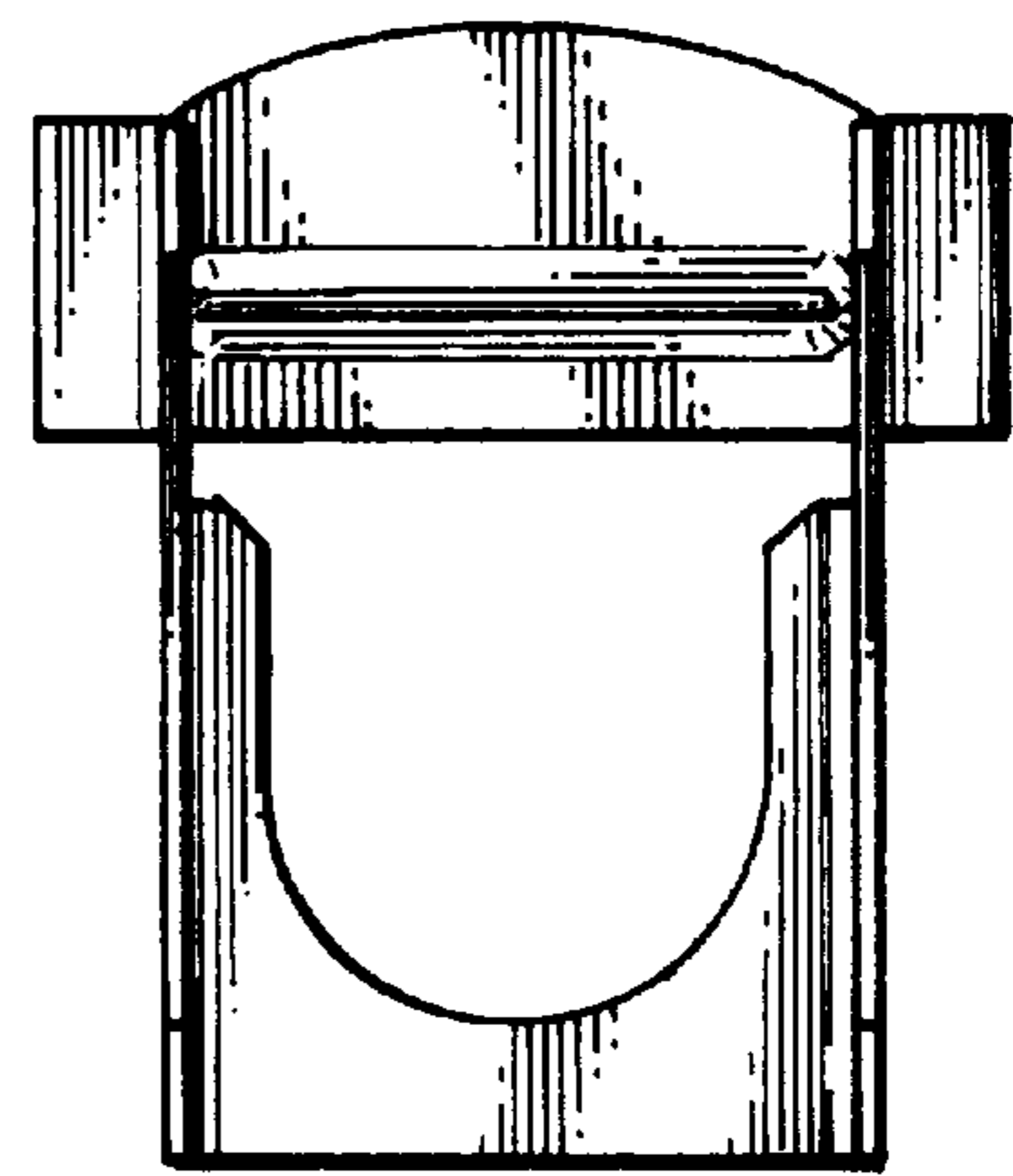


FIG. 3

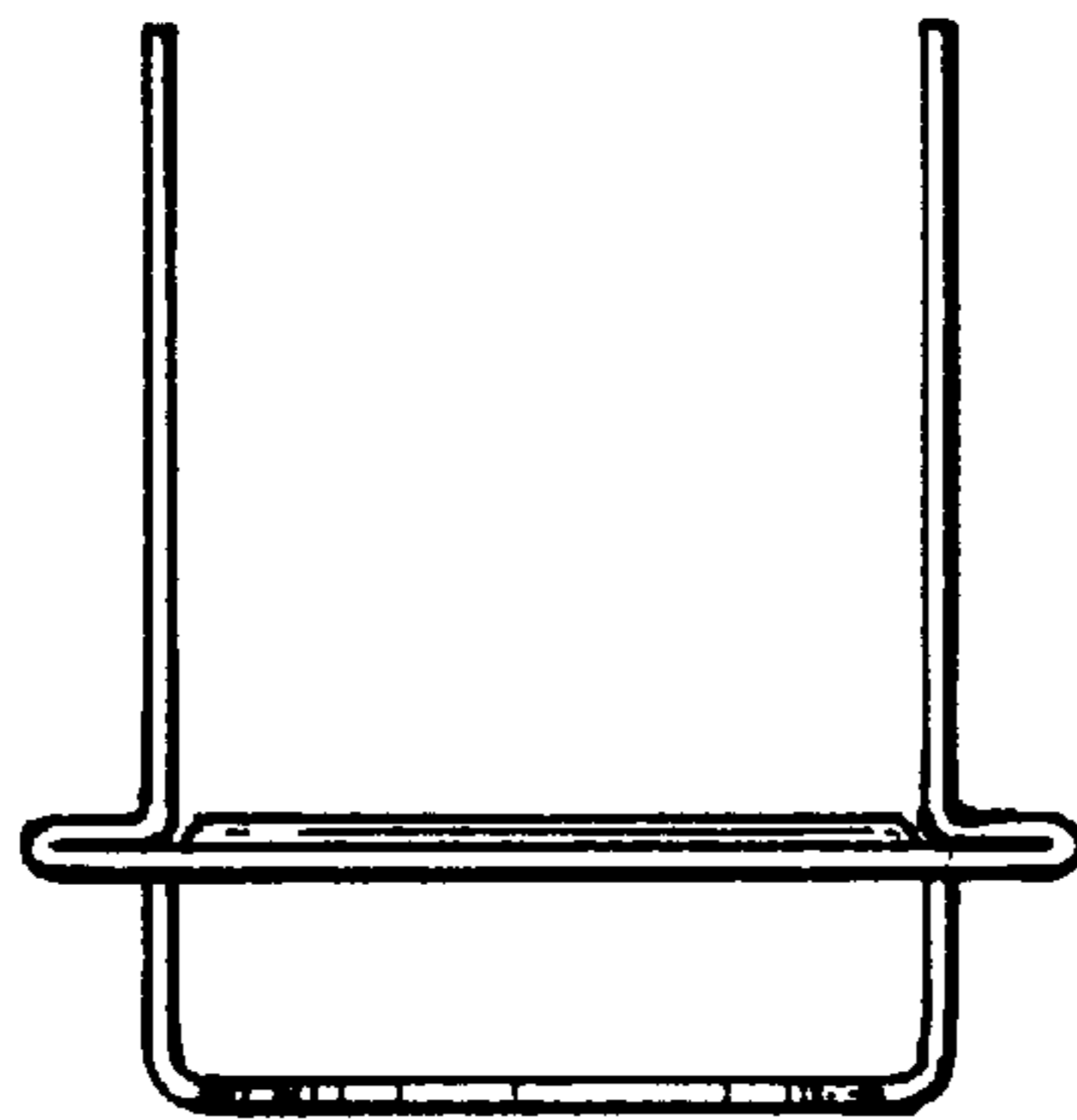


FIG. 4

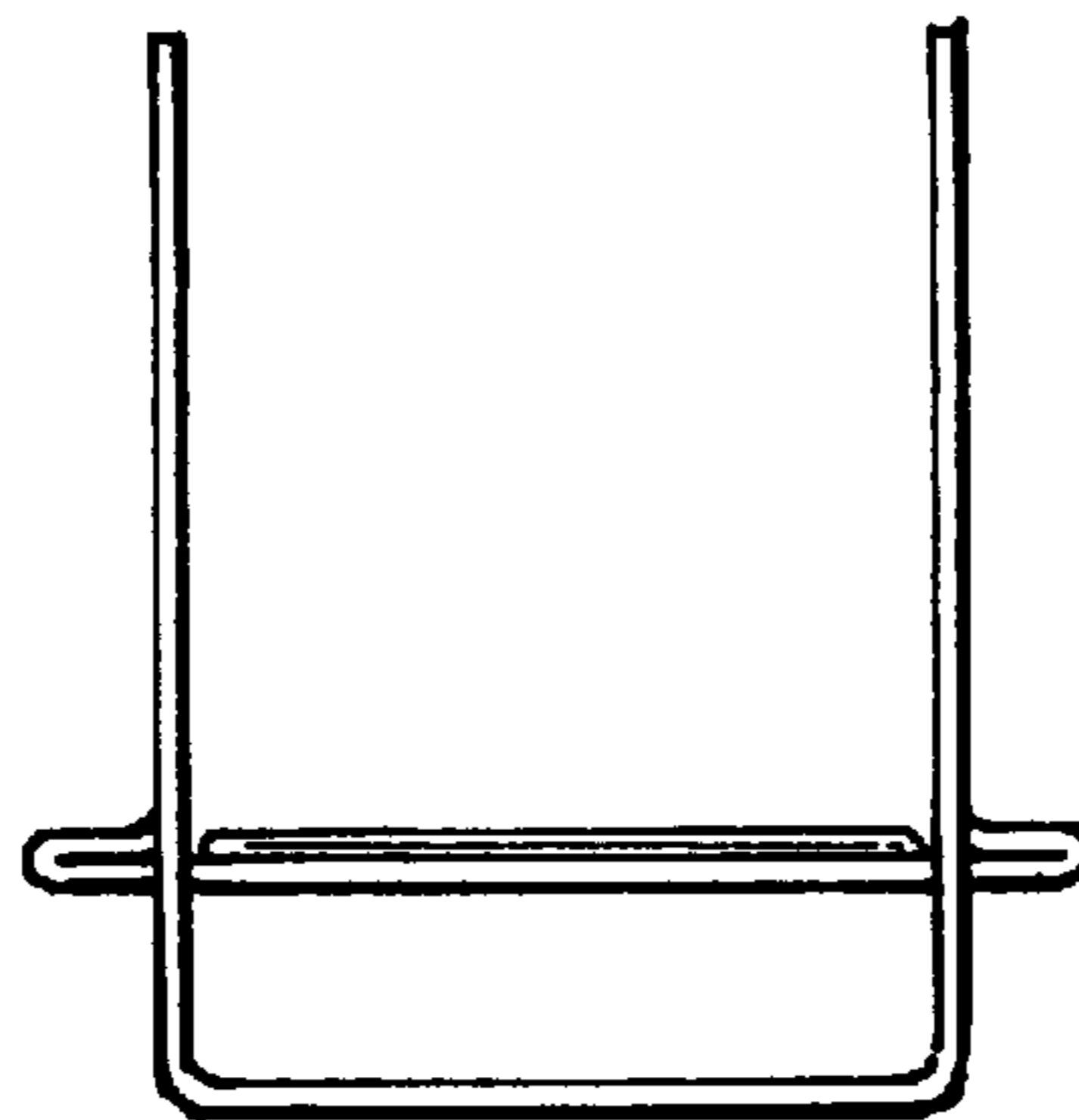


FIG. 5

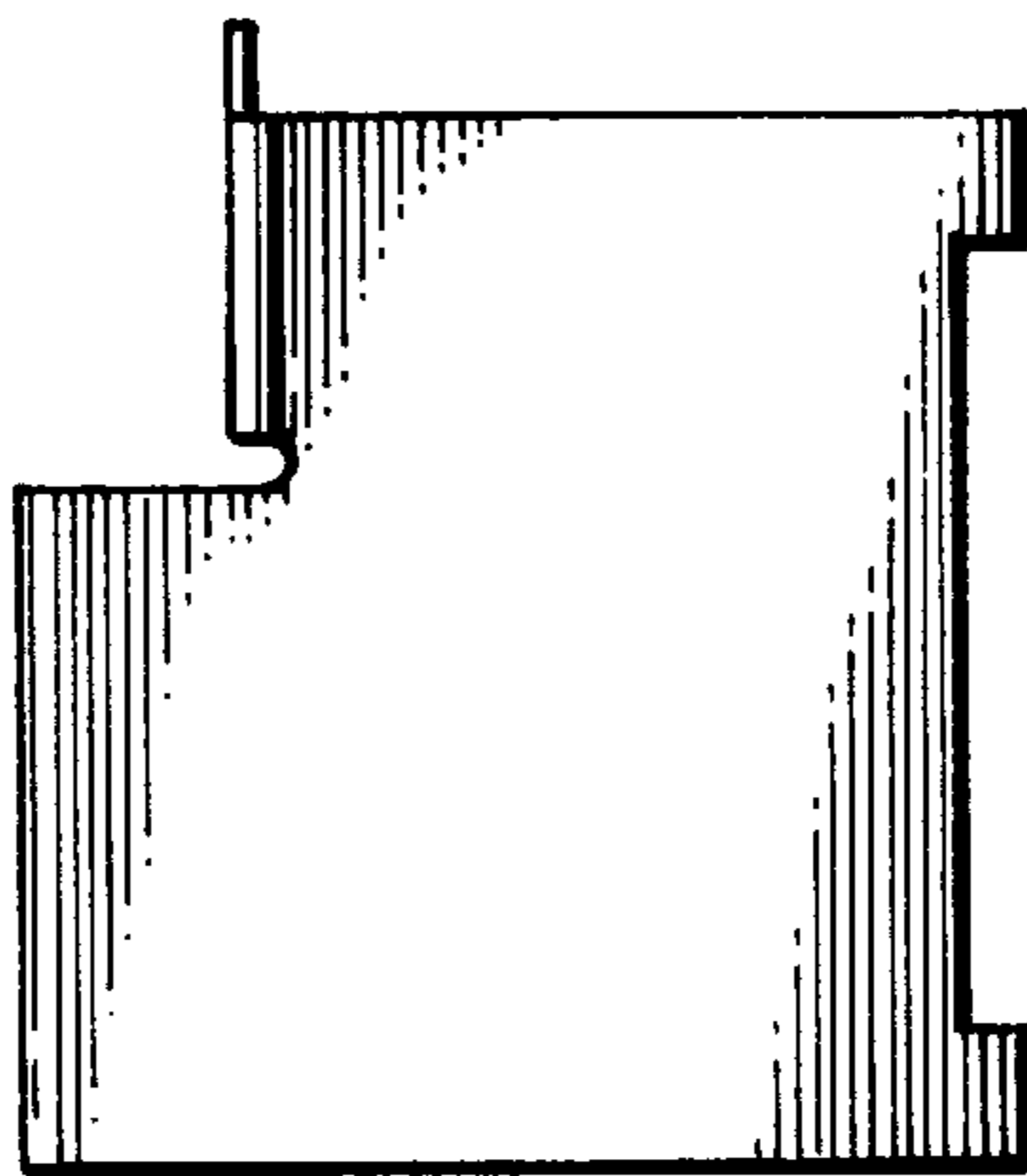


FIG. 6