



US00D422555S

United States Patent [19] Bergh

[11] **Patent Number: Des. 422,555**

[45] **Date of Patent: ** Apr. 11, 2000**

[54] **VEHICLE CENTER CONSOLE STORAGE DEVICE**

4,901,961 2/1990 Gish 248/217.2
5,190,376 3/1993 Book 383/4

[75] Inventor: **James Allen Bergh**, Boulder, Colo.

[73] Assignee: **Case Logic, Inc.**, Longmont, Colo.

[**] Term: **14 Years**

[21] Appl. No.: **29/101,646**

[22] Filed: **Mar. 8, 1999**

[51] **LOC (6) Cl.** **12-16**

[52] **U.S. Cl.** **D12/423; D7/607**

[58] **Field of Search** D12/415, 419,
D12/423-425; D7/605, 607, 709; D3/71,
76, 273, 287, 289, 290, 301, 276; 220/410-412,
DIG. 10; 206/223, 541, 545, 546, 549;
296/37.1, 37.6

[56] **References Cited**

U.S. PATENT DOCUMENTS

D. 267,444	1/1983	Ruxton	D12/423
D. 336,218	6/1993	Hague	D7/607
D. 358,124	5/1995	Landry	D12/423
D. 359,266	6/1995	Karp et al.	D12/419
D. 371,052	6/1996	Melk	D7/607
D. 371,942	7/1996	Lippincott et al.	D7/607
D. 373,514	9/1996	Melk	D7/607
D. 374,857	10/1996	Diem	D12/419
D. 375,480	11/1996	Smith	D12/419
D. 397,083	8/1998	Smith	D12/419
D. 398,191	9/1998	Melk	D7/607
D. 398,192	9/1998	Rausch	D7/607
D. 403,926	1/1999	Sutton	D7/607
4,796,791	1/1989	Goss et al.	224/275
4,809,897	3/1989	Wright, Jr.	224/282

OTHER PUBLICATIONS

Axius Soft Insulated Snack Tray, 1996.

Primary Examiner—Doris V. Coles

Assistant Examiner—Stacia Sinuik

Attorney, Agent, or Firm—Sheridan Ross P.C.

[57] **CLAIM**

The ornamental design for a vehicle center console storage device, as shown and described.

DESCRIPTION

FIG. 1 is a front elevation view of a vehicle center console storage device, showing my new design;

FIG. 2 is a rear elevation view of the vehicle center console storage device shown in FIG. 1;

FIG. 3 is a top plan view of the vehicle center console storage device shown in FIG. 1;

FIG. 4 is a bottom plan view of the vehicle center console storage device shown in FIG. 1;

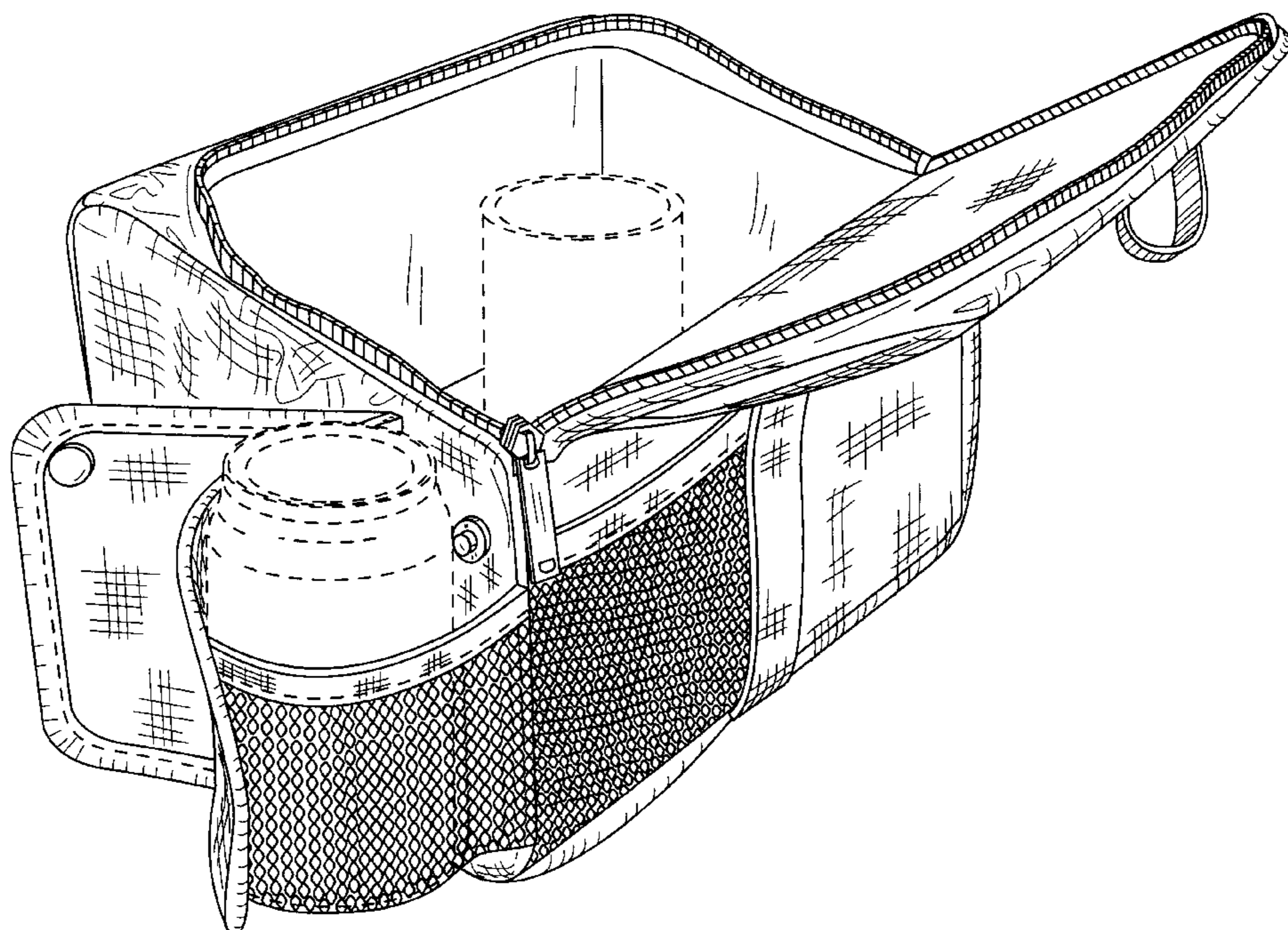
FIG. 5 is a right elevation view of the vehicle center console storage device shown in FIG. 1;

FIG. 6 is a left elevation view of the vehicle center console storage device shown in FIG. 1; and,

FIG. 7 is a front perspective view of the vehicle center console storage device shown in FIG. 1, with environment and the top cover in an open position and the side pocket in unfastened position.

The broken line showing of environment in FIG. 7 is for illustrative purposes only and forms no part of the claimed design.

1 Claim, 4 Drawing Sheets



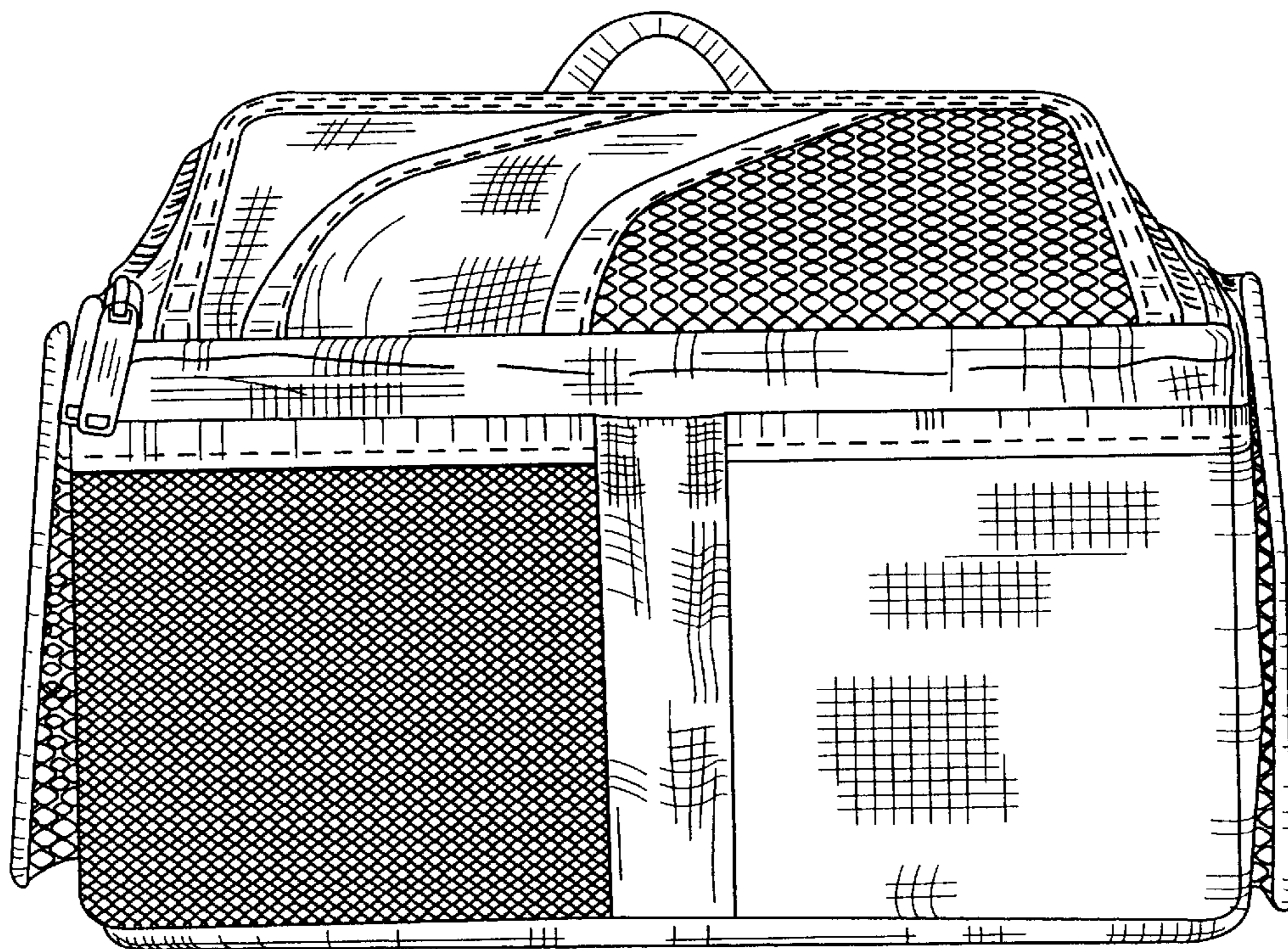


Fig. 1

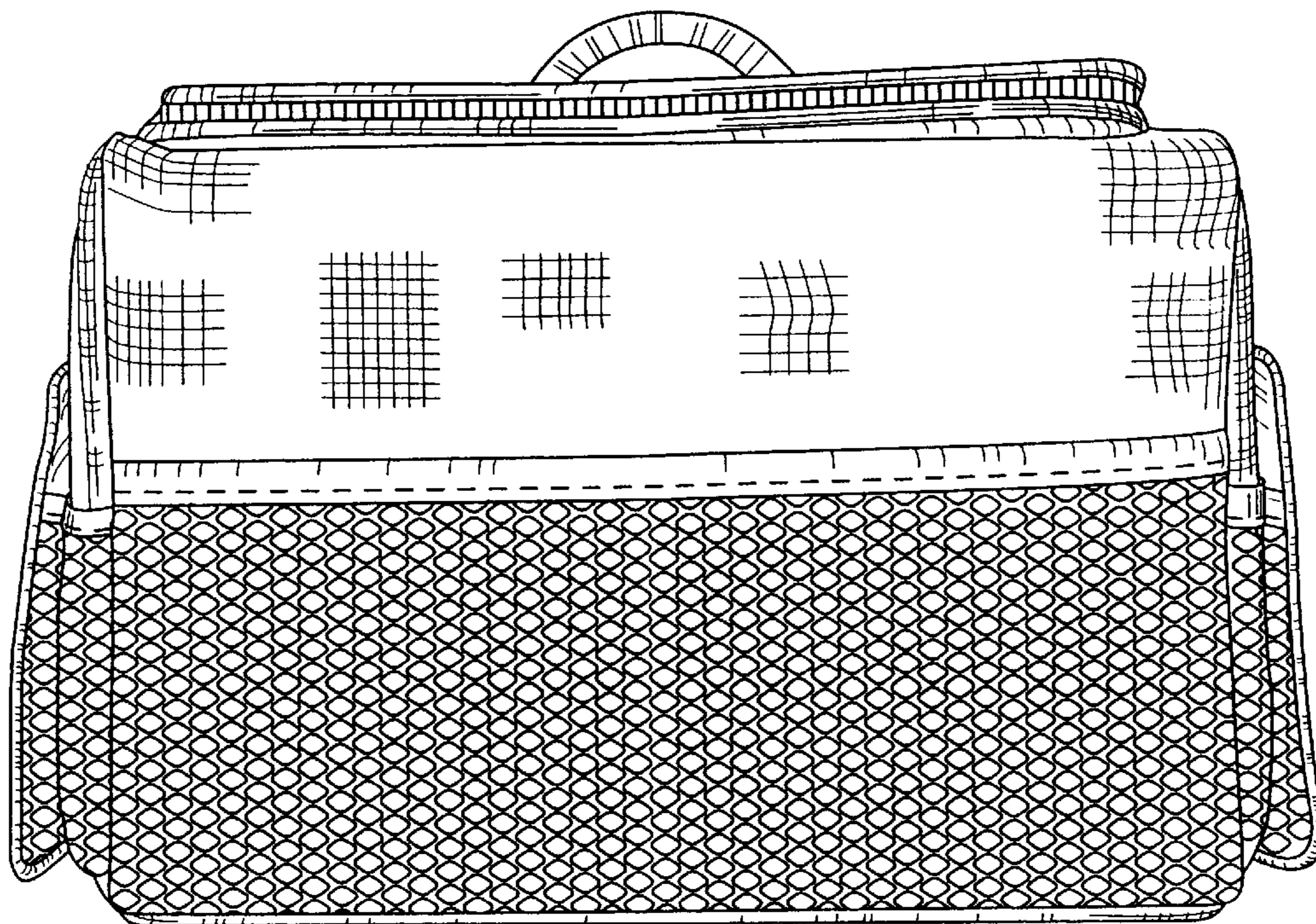


Fig. 2

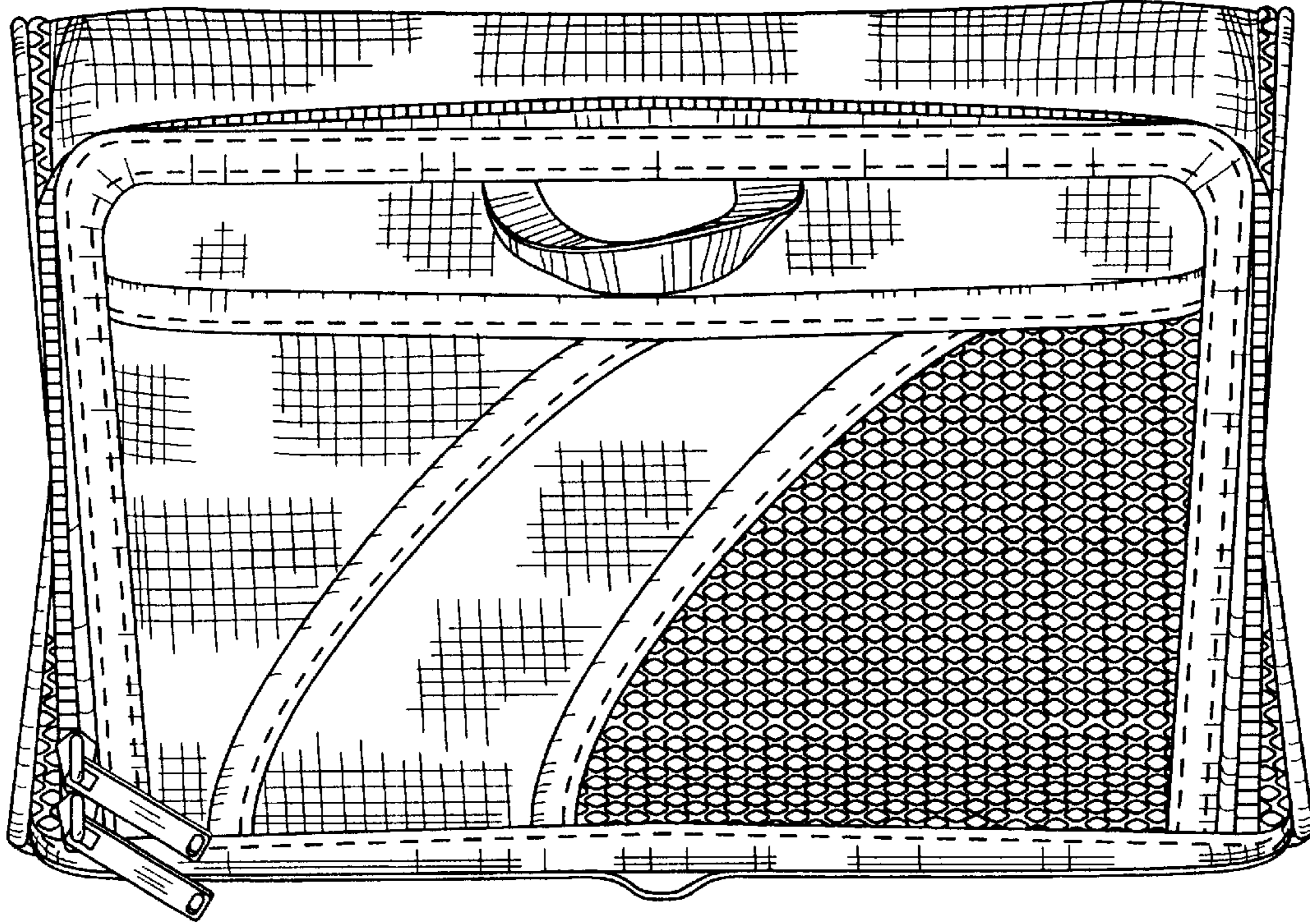


Fig. 3

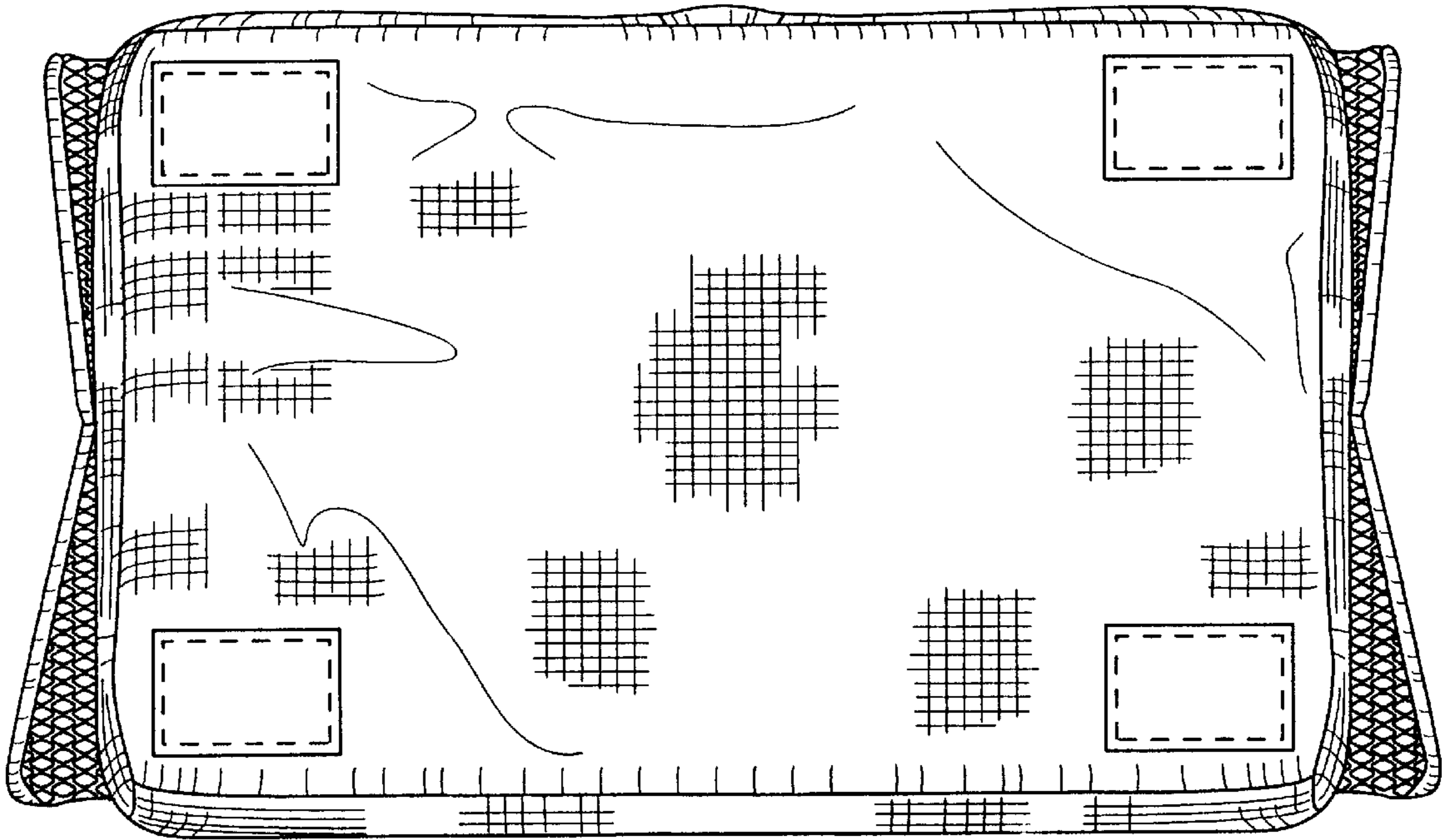


Fig. 4

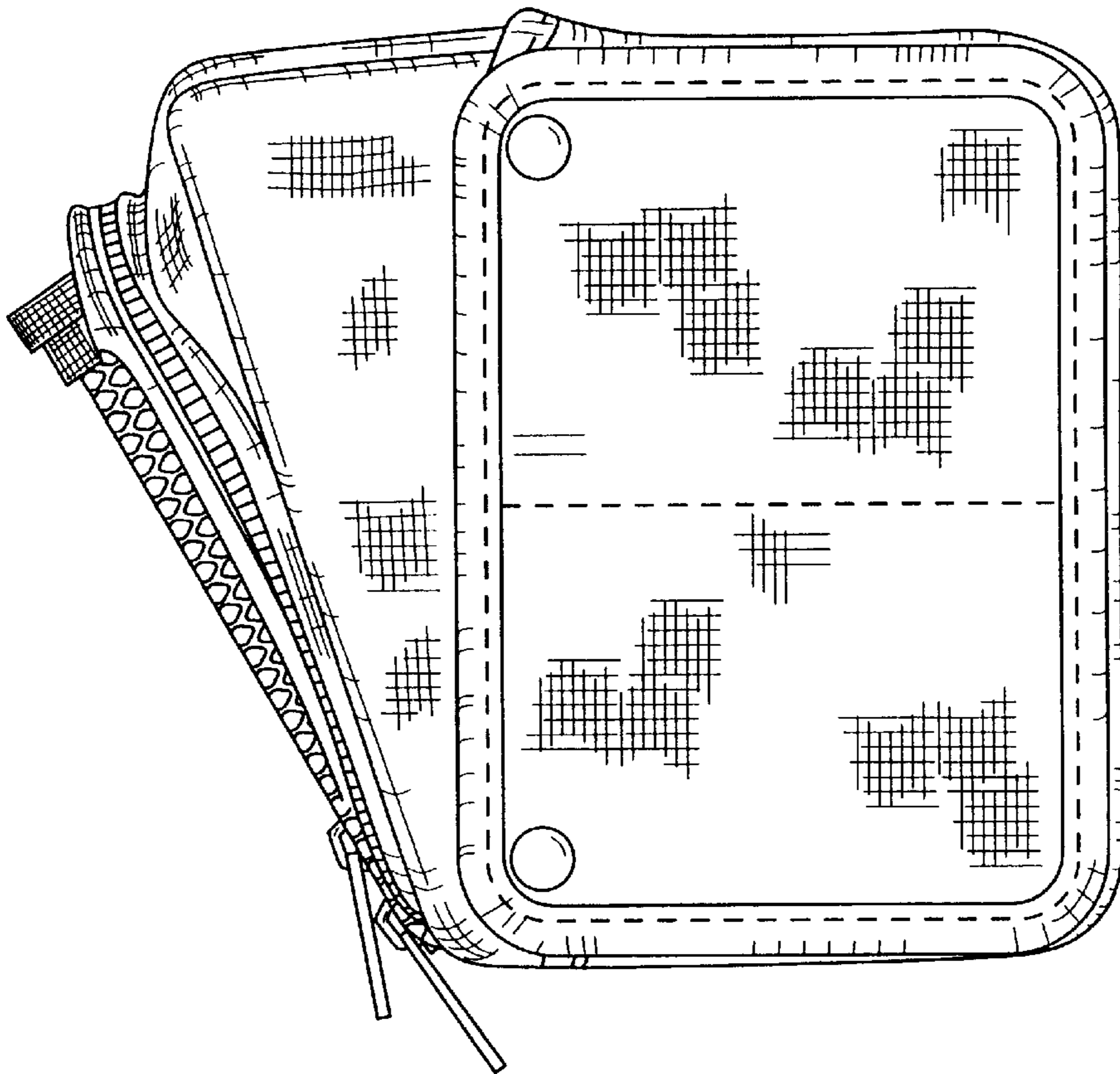


Fig. 6

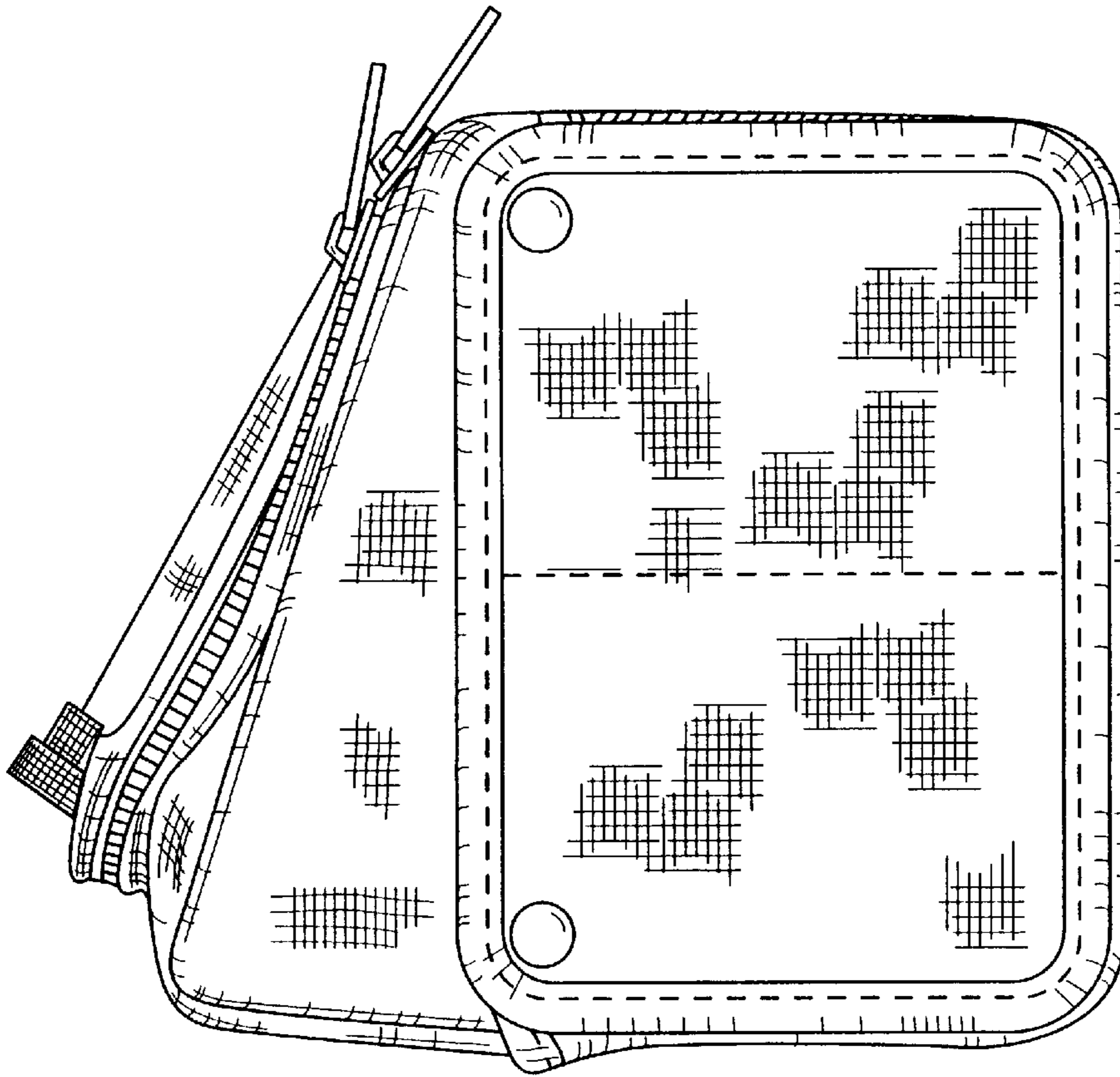


Fig. 5

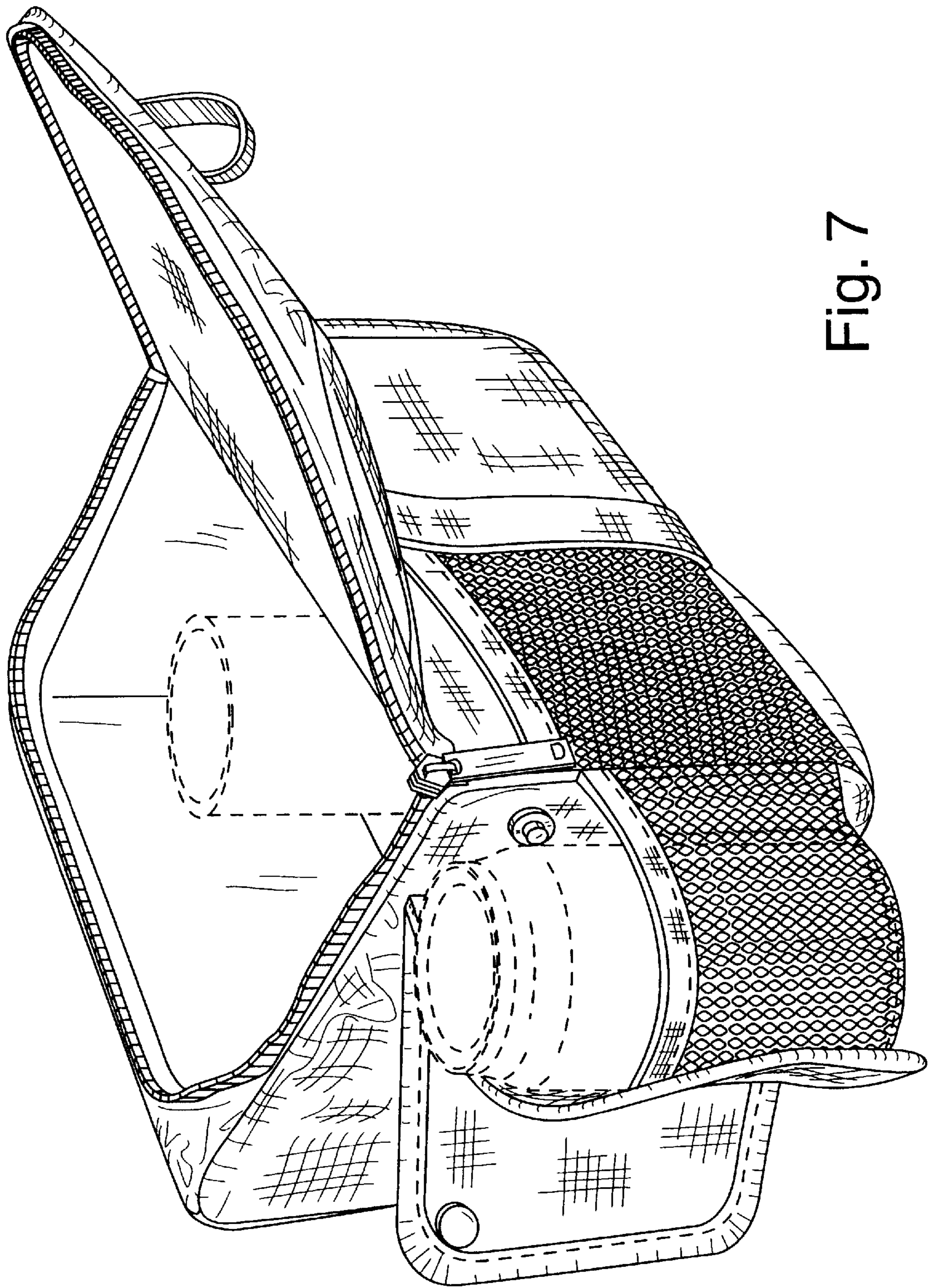


Fig. 7