



US00D422553S

United States Patent [19] VonDuyke

[11] Patent Number: **Des. 422,553**

[45] Date of Patent: **** Apr. 11, 2000**

[54] **ROOF-MOUNTED BASKET CARRIER**

[75] Inventor: **Andrew L. VonDuyke**, Minnetonka, Minn.

[73] Assignee: **Yakima Products, Inc.**, Arcata, Calif.

[**] Term: **14 Years**

[21] Appl. No.: **29/099,023**

[22] Filed: **Jan. 11, 1999**

[51] **LOC (6) Cl.** **12-16**

[52] **U.S. Cl.** **D12/412**

[58] **Field of Search** D12/401, 406, D12/412; 296/3, 100, 37.1-37.7; 224/309-310, 315, 323, 325-329, 321, 400; 280/727, 760, 762, 769, 848; D6/552, 556; D3/304-306

[56] **References Cited**

U.S. PATENT DOCUMENTS

D. 181,747	12/1957	Pawly et al.	D12/412
D. 181,748	12/1957	Pawly et al.	D12/412
D. 182,705	5/1958	Binding	D12/412
D. 201,013	5/1965	Duer	D12/412
D. 239,618	4/1976	Duer	D12/412
D. 246,238	11/1977	Boas	D12/412
D. 252,961	9/1979	Carroll et al.	D3/304
D. 288,193	2/1987	Caron	D12/406 X
D. 406,557	3/1999	Bentley	D12/412
D. 413,562	9/1999	Van Dusen et al.	D12/412
1,896,628	2/1933	Jepsen .	

2,596,860	5/1952	McCrary et al. .	
2,663,472	12/1953	Belgau .	
2,714,480	8/1955	Harris	224/325 X
2,922,557	1/1960	Jessen .	
3,120,323	2/1964	Sparling	D3/305 X
3,468,460	9/1969	Wright et al. .	
3,902,642	9/1975	McNeece .	
4,277,008	7/1981	McCleary	224/273
5,738,258	4/1998	Farrow et al. .	

FOREIGN PATENT DOCUMENTS

1004722 4/1952 France .

Primary Examiner—Caron D. Veynar
Assistant Examiner—Stacia Cadmus
Attorney, Agent, or Firm—Kolisch, Hartwell, Dickinson, McCormack & Heuser

[57] **CLAIM**

The ornamental design for a roof-mounted basket carrier, as shown and described.

DESCRIPTION

FIG. 1 is a perspective view of a roof-mounted basket carrier constructed in accordance with the present invention; FIG. 2 is an enlarged top view thereof; FIG. 3 is an enlarged bottom view thereof; FIG. 4 is an enlarged side view thereof, the opposite side being identical thereto; and, FIG. 5 is an enlarged front view thereof, the rear view being identical thereto.

1 Claim, 2 Drawing Sheets

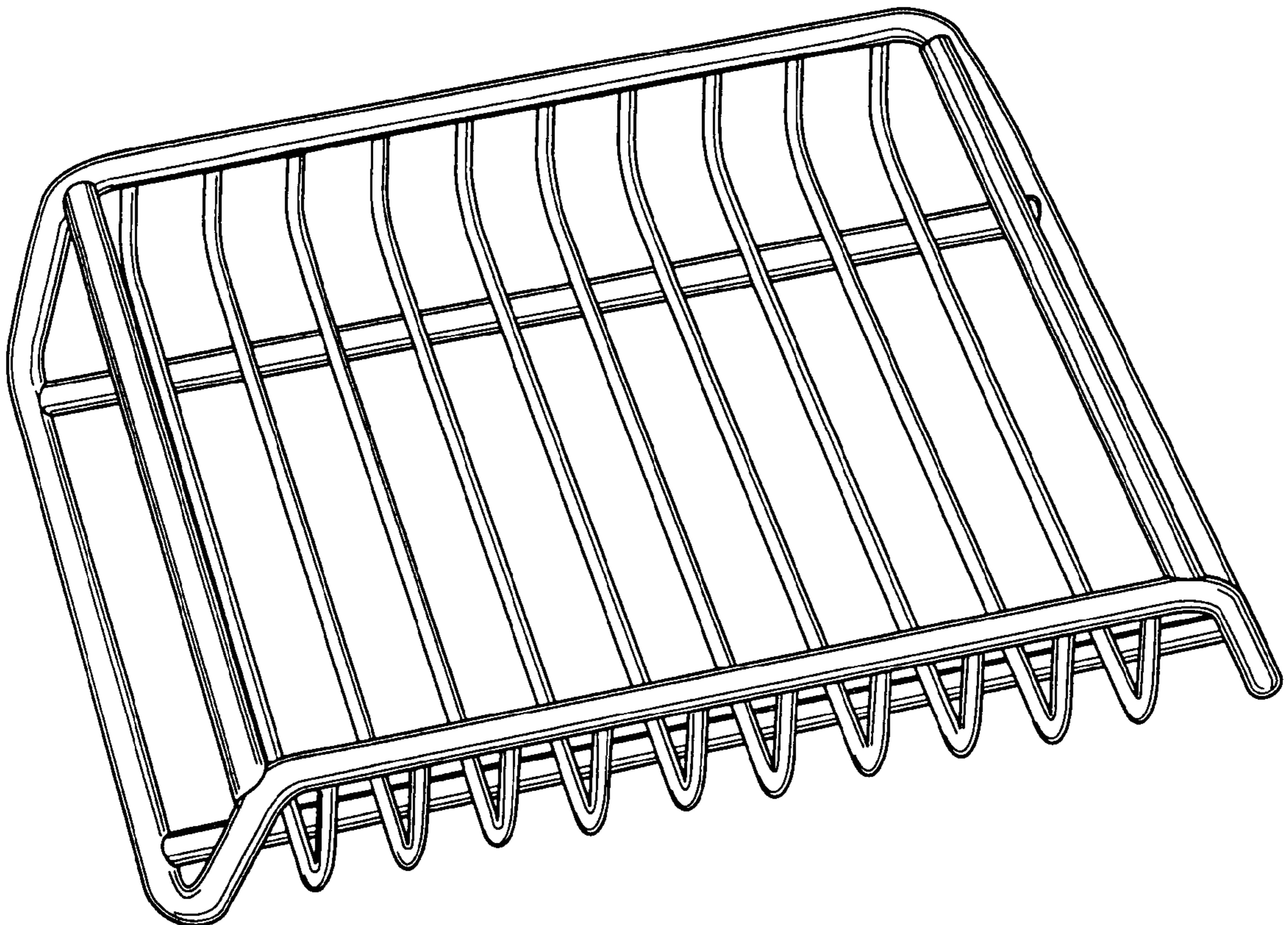


FIG. 1

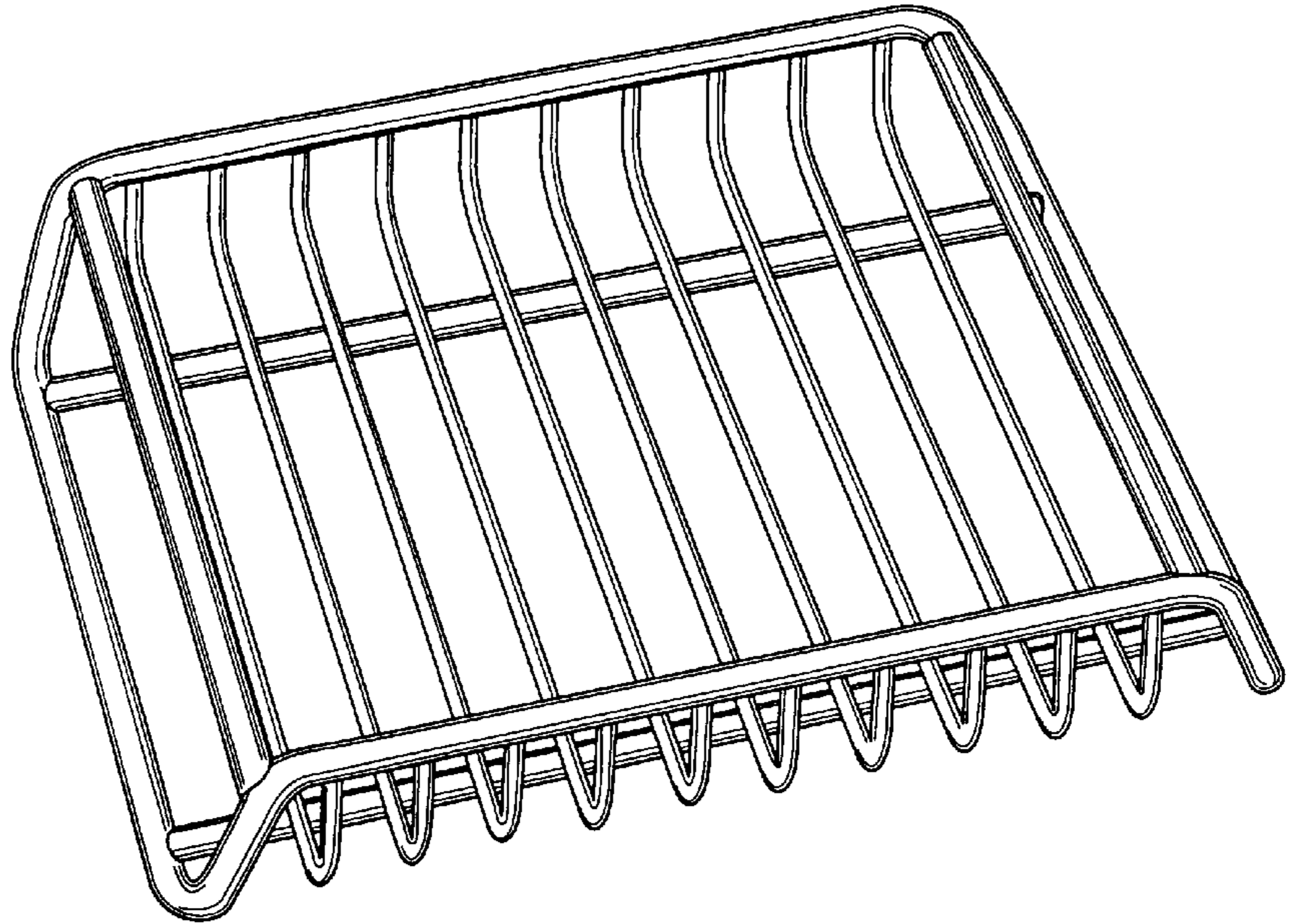
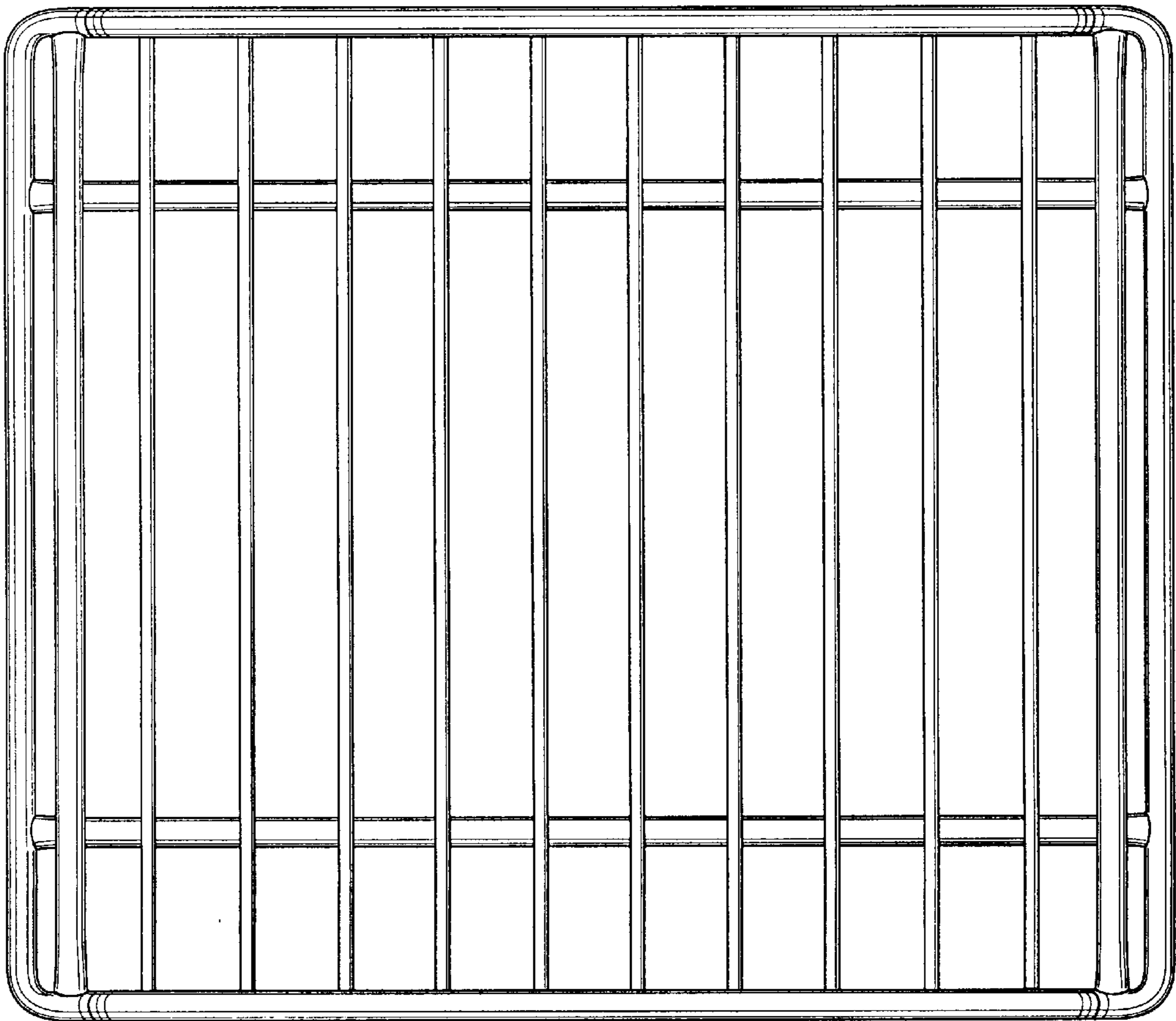


FIG. 2



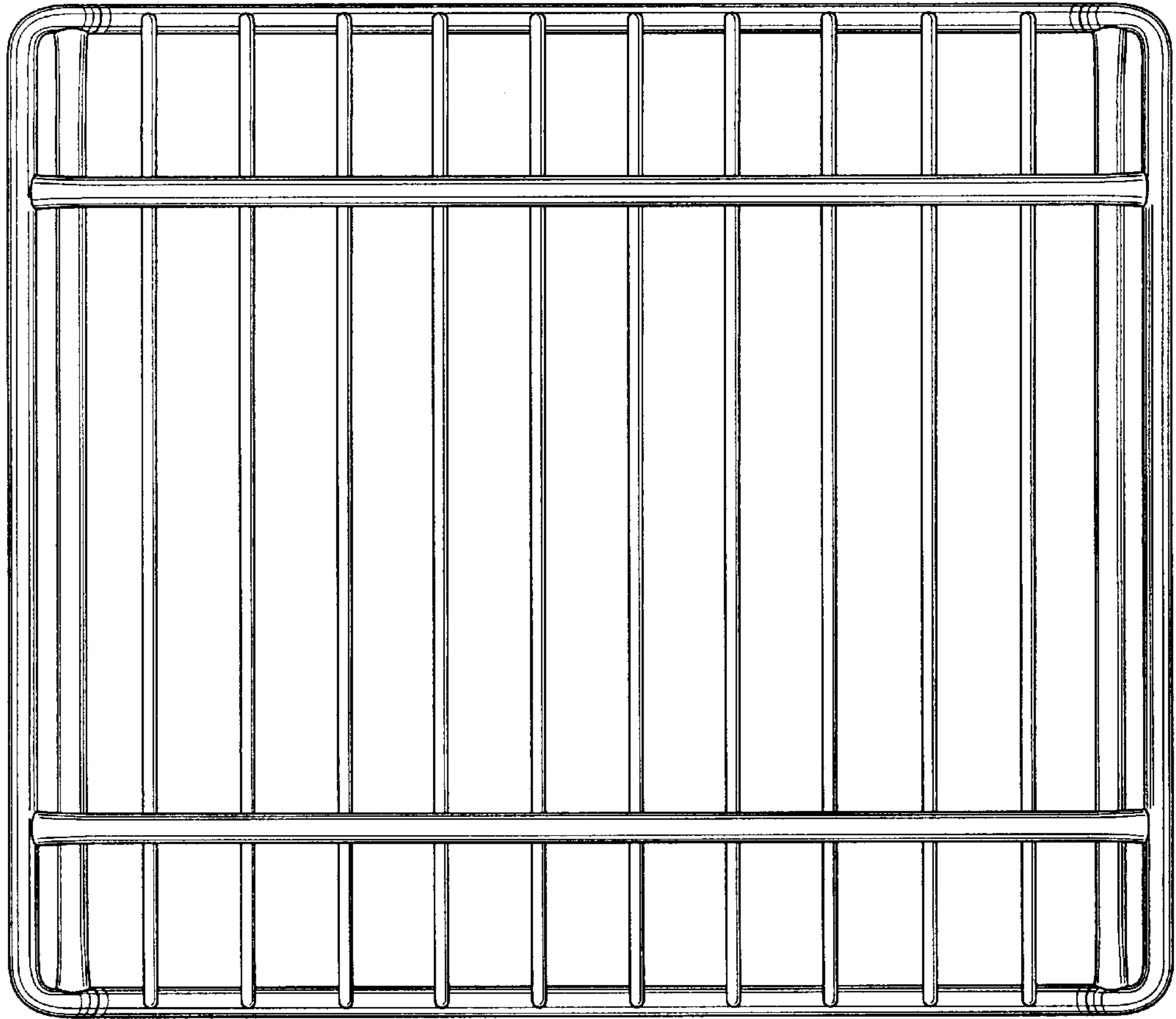


FIG. 3

FIG. 4

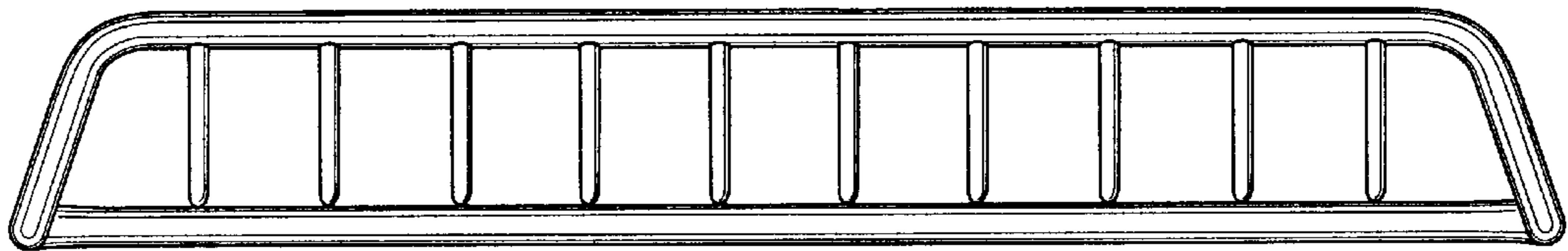


FIG. 5

