



US00D422551S

United States Patent [19] Haines

[11] **Patent Number: Des. 422,551**

[45] **Date of Patent: ** Apr. 11, 2000**

[54] **AUTOMOTIVE VALVE COVER**

4,930,470 6/1990 Kabat et al. 123/195 C
5,513,604 5/1996 Clement 123/90.38

[75] Inventor: **James S. Haines**, Lancaster, Pa.

Primary Examiner—Robert M. Spear
Attorney, Agent, or Firm—Dan Williams

[73] Assignee: **Diversified Machine, Inc.**, Lancaster, Pa.

[57] CLAIM

[**] Term: **14 Years**

The ornamental design for a automotive valve cover, as shown and described.

[21] Appl. No.: **29/090,172**

DESCRIPTION

[22] Filed: **Jul. 1, 1998**

[51] **LOC (6) Cl.** **12-16**

[52] **U.S. Cl.** **D12/400; D15/5**

[58] **Field of Search** **D12/400; D15/5;**
123/90.38, 195 C, 198 E

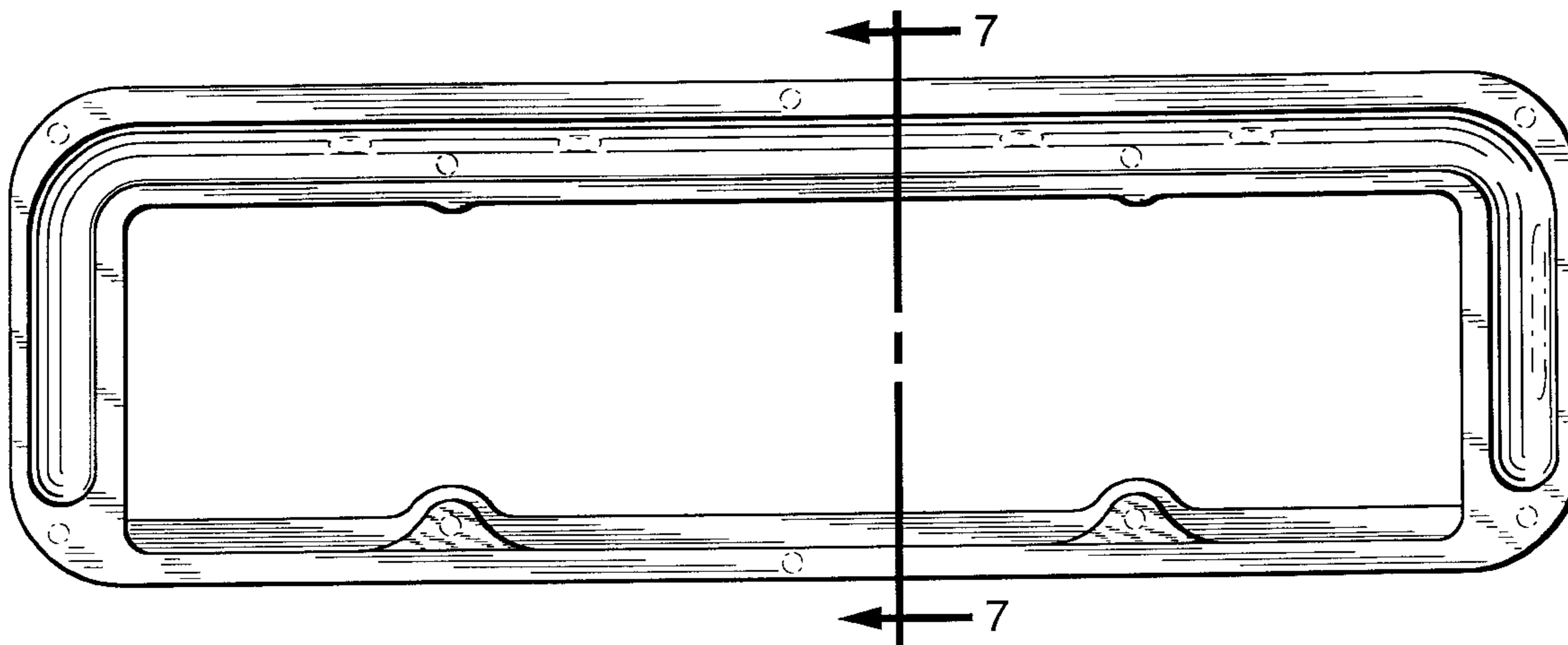
FIG. 1 is a top plan view showing my new design;
FIG. 2 is a bottom plan view thereof;
FIG. 3 is an elevation view of the right end as seen in FIG. 1;
FIG. 4 is an elevation view of the left end as seen in FIG. 1;
FIG. 5 is a side elevation view of the near side as seen in FIG. 1;
FIG. 6 is a side elevation view of the far side as seen in FIG. 1; and,
FIG. 7 is a sectional view as taken on the line 7—7 of FIG. 1.

[56] References Cited

U.S. PATENT DOCUMENTS

- D. 181,417 11/1957 Lane D15/5
- D. 252,878 9/1979 Bellino et al. D15/5
- D. 384,959 10/1997 Kimbel et al. D15/5
- 4,538,560 9/1985 Alden 123/90.38

1 Claim, 4 Drawing Sheets



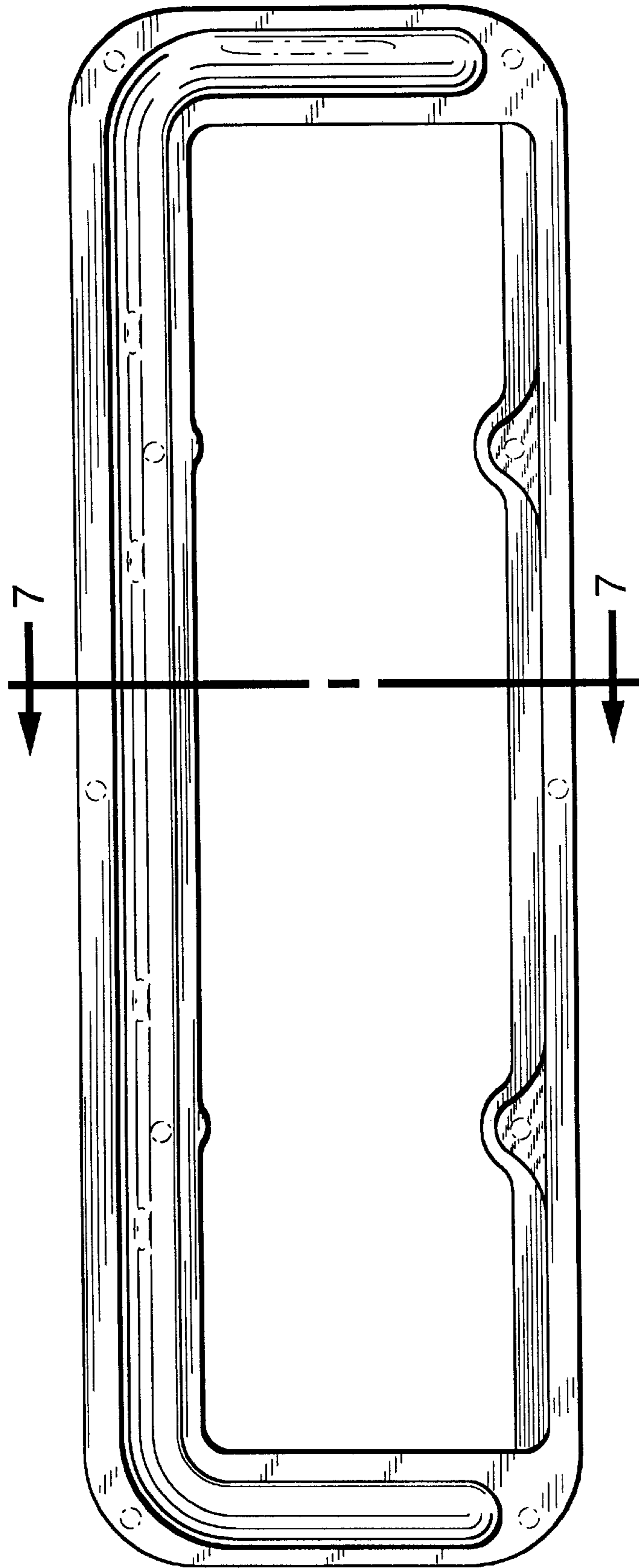


Fig. 1

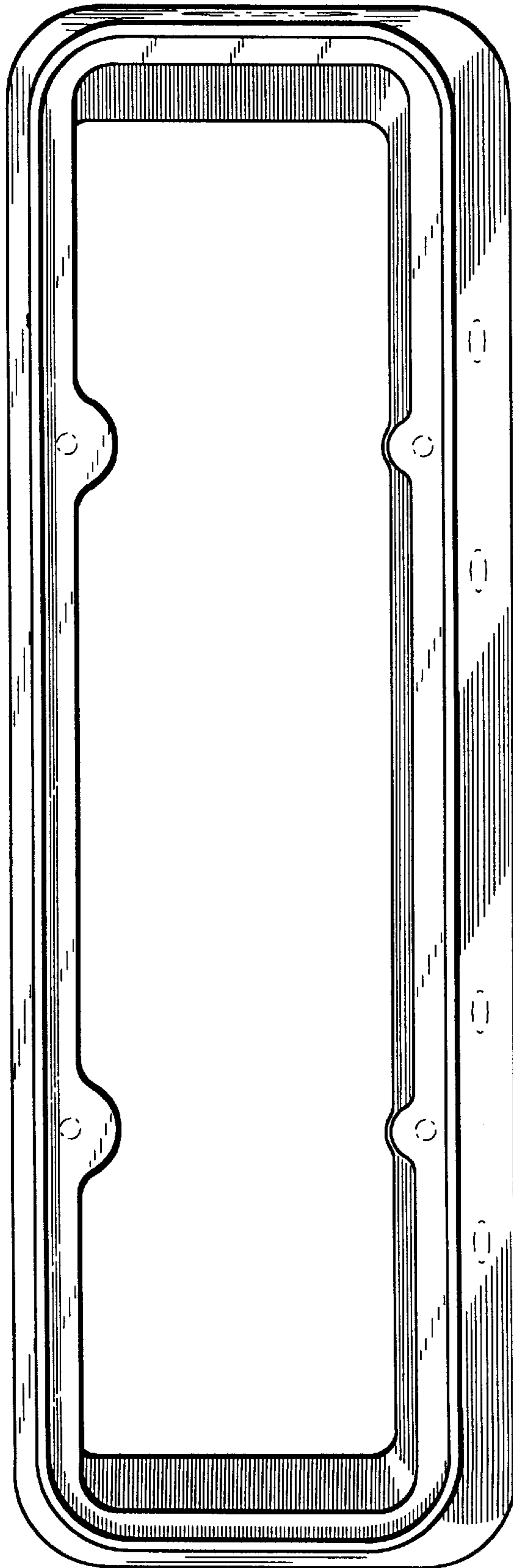


Fig. 2

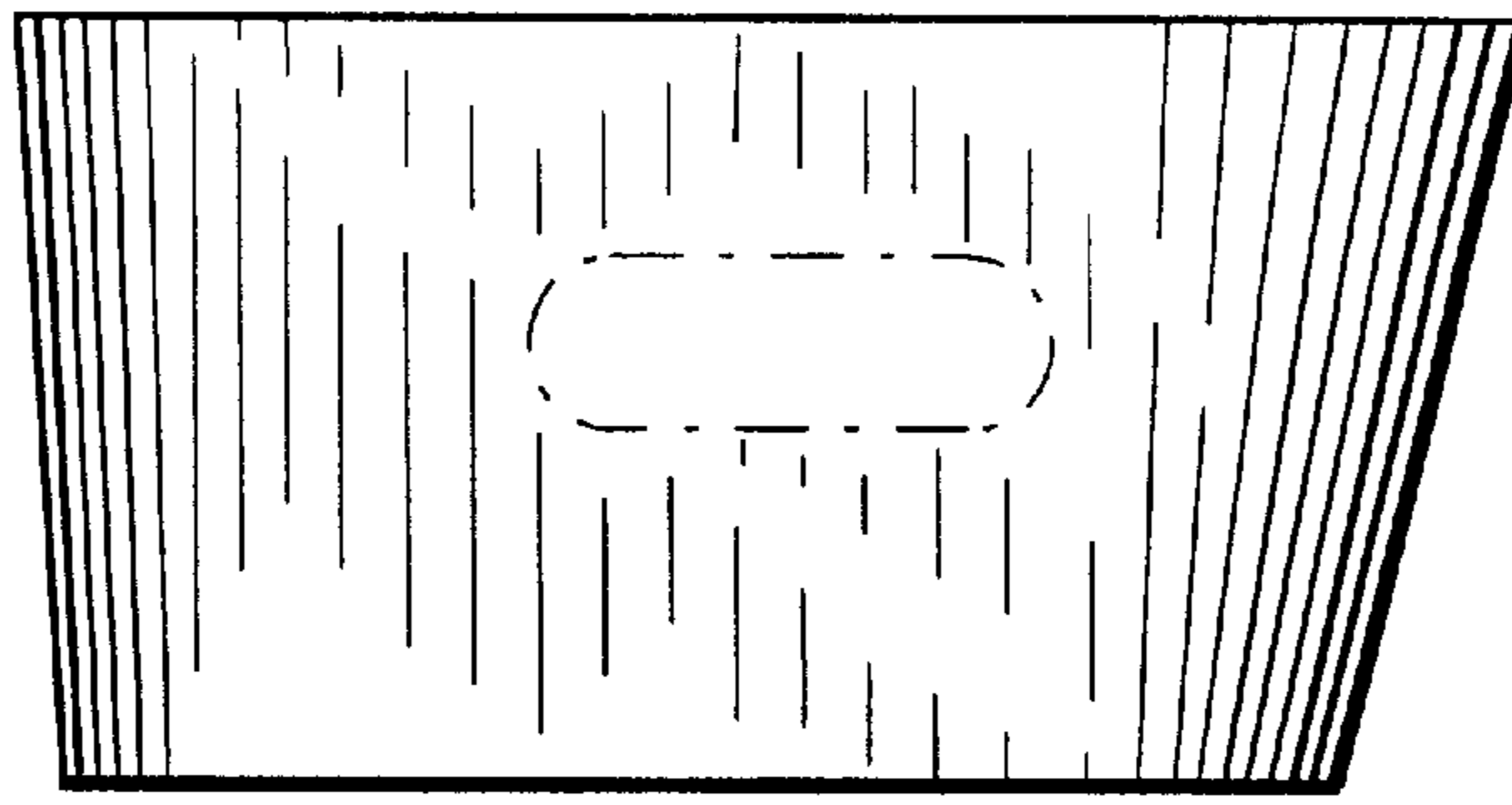


FIG. 3

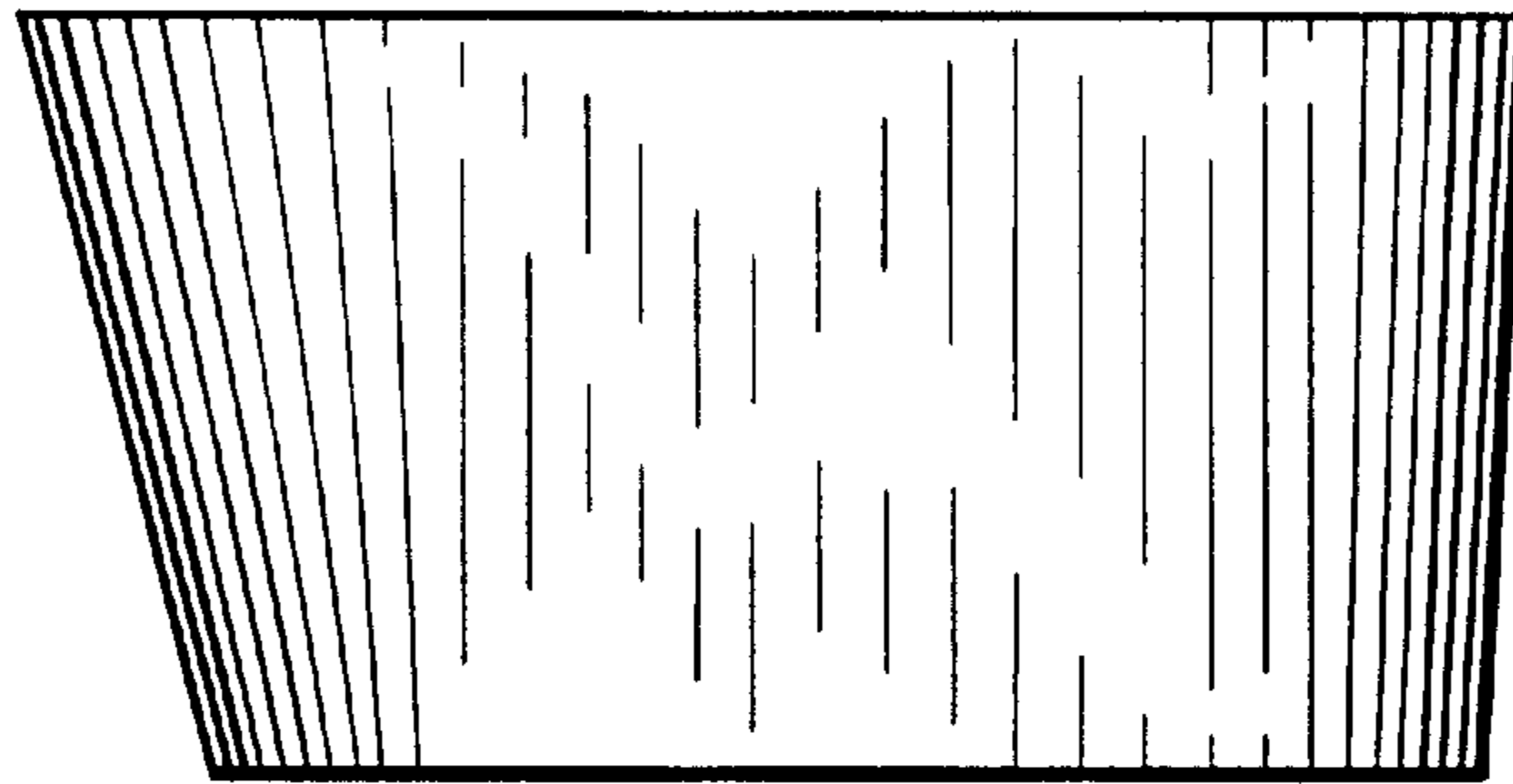


FIG. 4

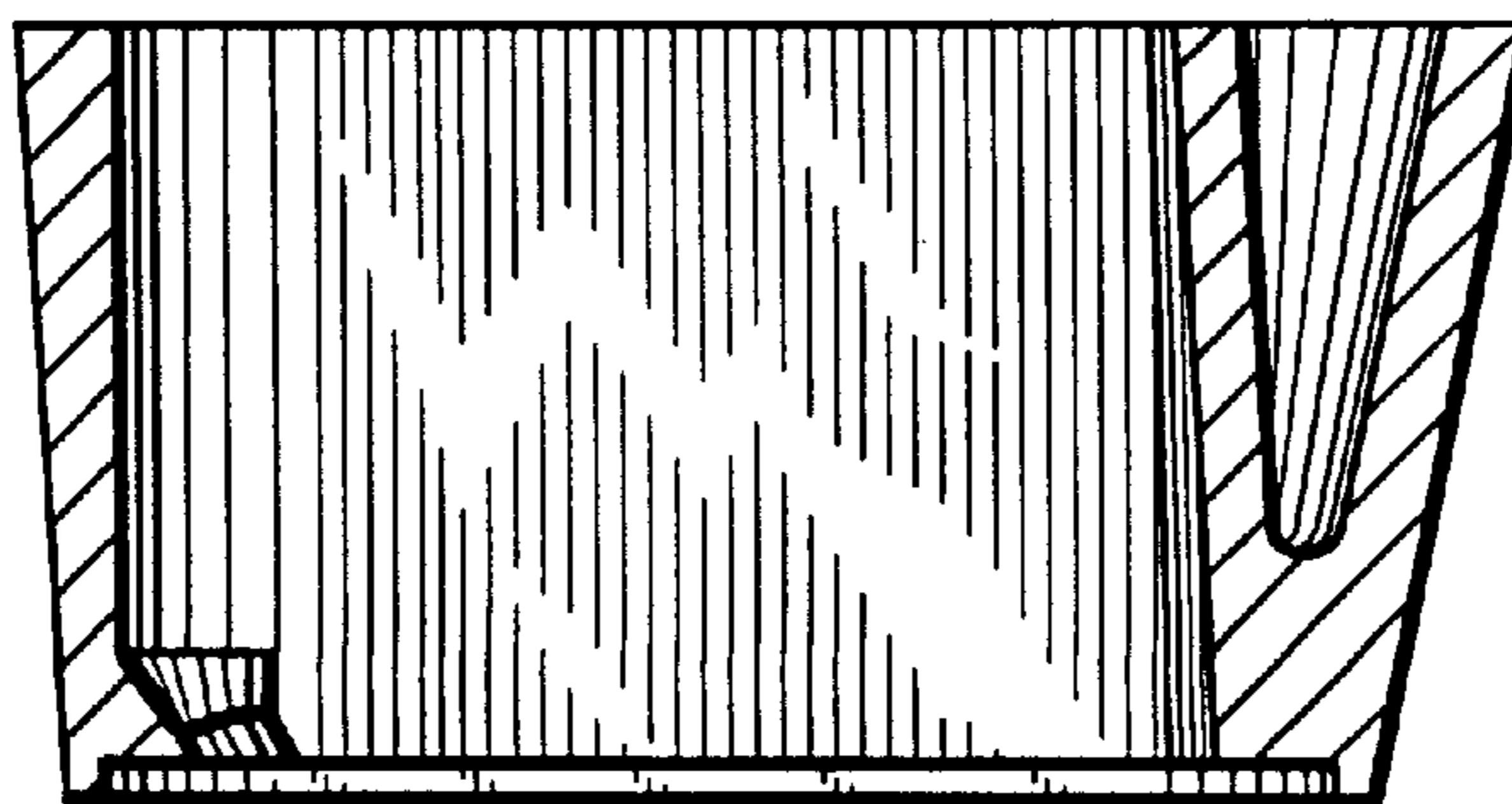


Fig. 7

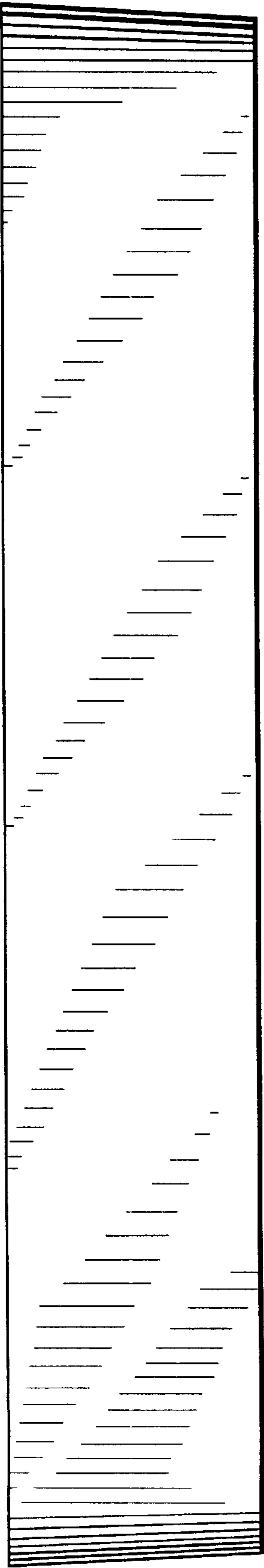


Fig. 5

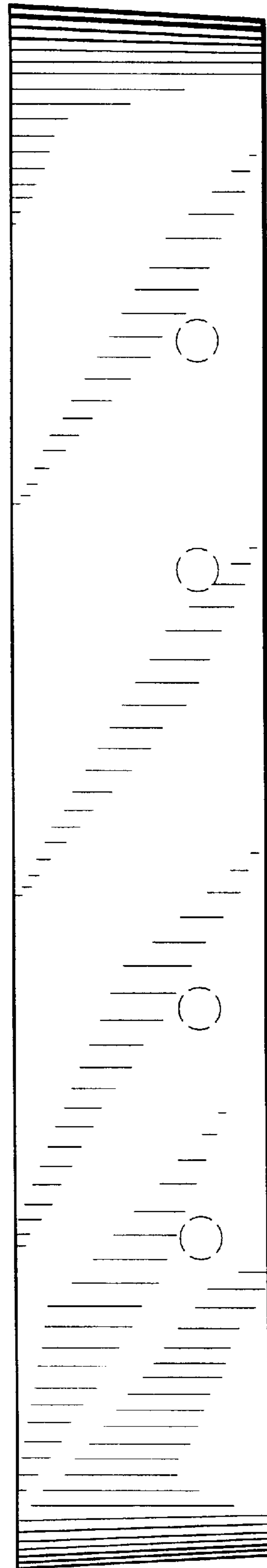


Fig. 6