



US00D422550S

United States Patent [19] Chung

[11] Patent Number: Des. 422,550

[45] Date of Patent: ** *Apr. 11, 2000

[54] AUTOMOTIVE WHEEL

[75] Inventor: Suny Chung, Placentia, Calif.

[73] Assignee: DM Tech America, Inc.

[*] Notice: This patent is subject to a terminal disclaimer.

[**] Term: 14 Years

[21] Appl. No.: 29/109,563

[22] Filed: Aug. 19, 1999

[51] LOC (6) Cl. 12-16

[52] U.S. Cl. D12/211

[58] Field of Search D12/204-213;
301/64.1, 65, 37.1

[56] References Cited

U.S. PATENT DOCUMENTS

D. 267,488	1/1983	Hayashi	D12/211
D. 267,563	1/1983	Hayashi	D12/211
D. 329,416	9/1992	Braungart et al.	D12/209
D. 388,045	12/1997	Sakagami et al.	D12/209
D. 392,237	3/1998	Kelley	D12/209

D. 396,208	7/1998	Baumgartner	D12/211
D. 408,777	4/1999	Chung	D12/211
D. 409,132	5/1999	Cullen	D12/211
D. 409,548	5/1999	Chung	D12/209
D. 409,549	5/1999	Chung	D12/209
D. 409,550	5/1999	Chung	D12/209
D. 410,886	6/1999	Nishida	D12/211
D. 411,501	6/1999	Cullen	D12/209
D. 411,502	6/1999	Chung	D12/211
D. 413,853	9/1999	Hale, Jr.	D12/211

Primary Examiner—Caron D. Veynar
Assistant Examiner—Stacia Cadmus
Attorney, Agent, or Firm—G. Donald Weber, Jr.

[57] CLAIM

The ornamental design for an automotive wheel, as shown and described.

DESCRIPTION

FIG. 1 is an oblique view of the automotive wheel of the instant invention; and,
FIG. 2 is a front view of the automotive wheel of the instant invention.

The broken line showing of environment is for illustrative purposes only and forms no part of the claimed design.

1 Claim, 1 Drawing Sheet

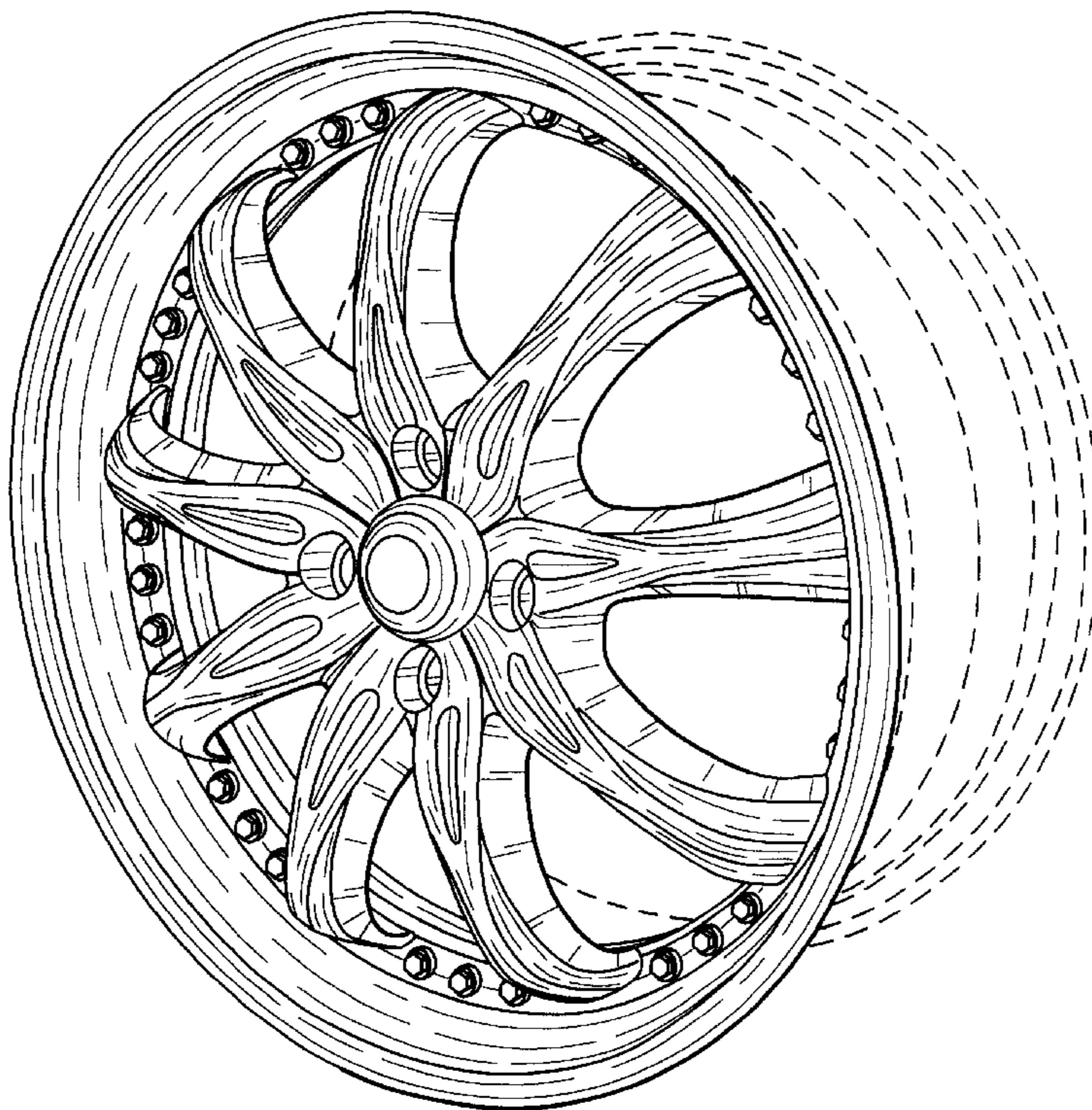


Fig. 1

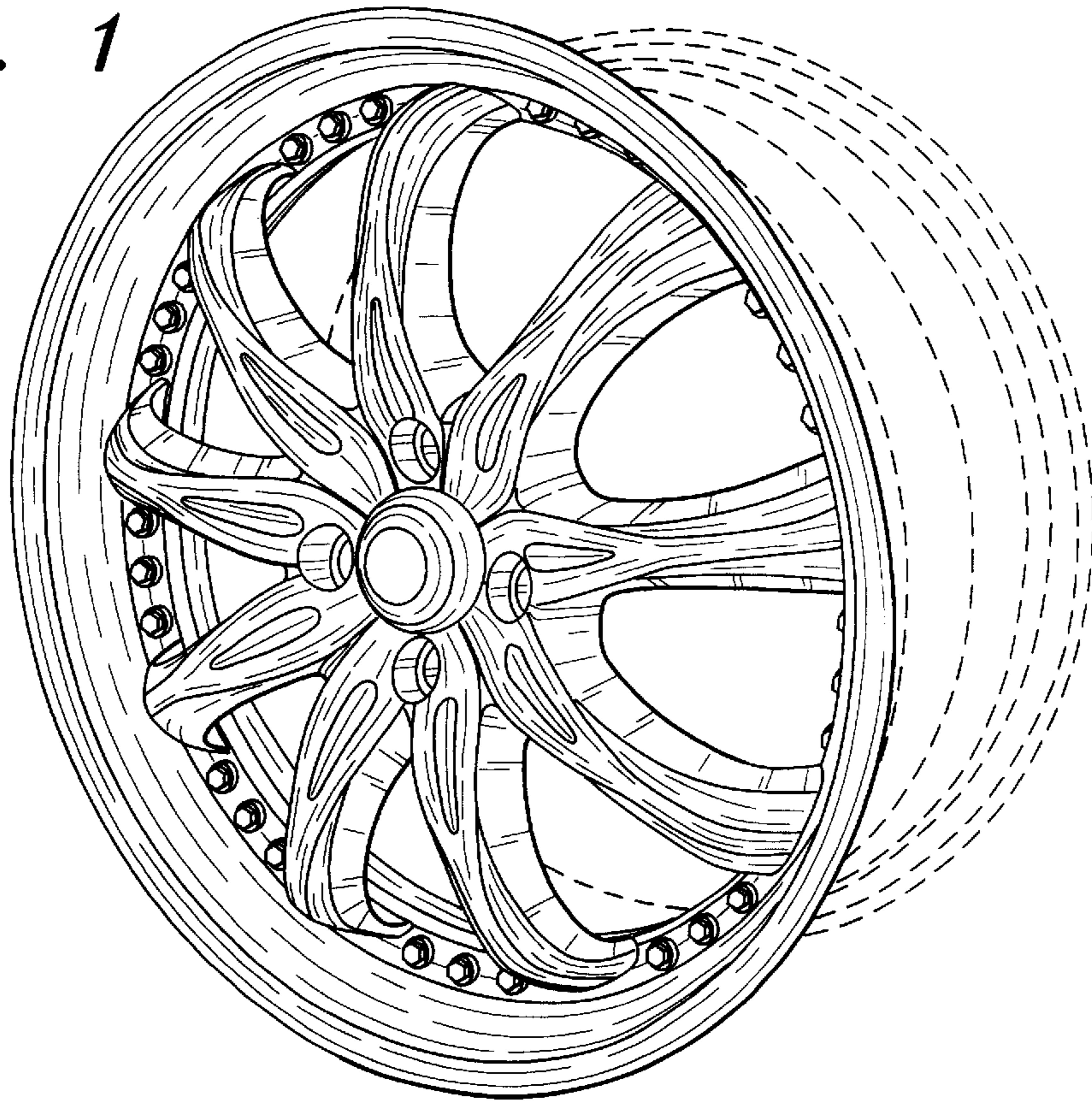


Fig. 2

