



US00D422548S

United States Patent [19] Kitamura

[11] **Patent Number: Des. 422,548**

[45] **Date of Patent: ** Apr. 11, 2000**

[54] **FRONT PORTION OF A MOTOR VEHICLE**

D. 407,350 3/1999 Cran D12/92

[75] Inventor: **Eiji Kitamura**, Hiroshima, Japan

Primary Examiner—Melody N. Brown
Attorney, Agent, or Firm—Sidley & Austin; Hugh A. Abrams

[73] Assignee: **Mazda Motor Corporation**,
Hiroshima-ken, Japan

[**] Term: **14 Years**

[57] **CLAIM**

The ornamental design for a front portion of a motor vehicle, as shown and described.

[21] Appl. No.: **29/097,152**

DESCRIPTION

[22] Filed: **Nov. 30, 1998**

[51] **LOC (6) Cl.** **12-16**

[52] **U.S. Cl.** **D12/196**

[58] **Field of Search** D12/196, 90-92;
276/185

FIG. 1 is a perspective view of a front portion of a motor vehicle showing a first embodiment of my new design; FIG. 2 is a front view thereof; FIG. 3 is a rear view of thereof; FIG. 4 is a right side view thereof; FIG. 5 is a left side view thereof; and, FIG. 6 is a top view thereof.

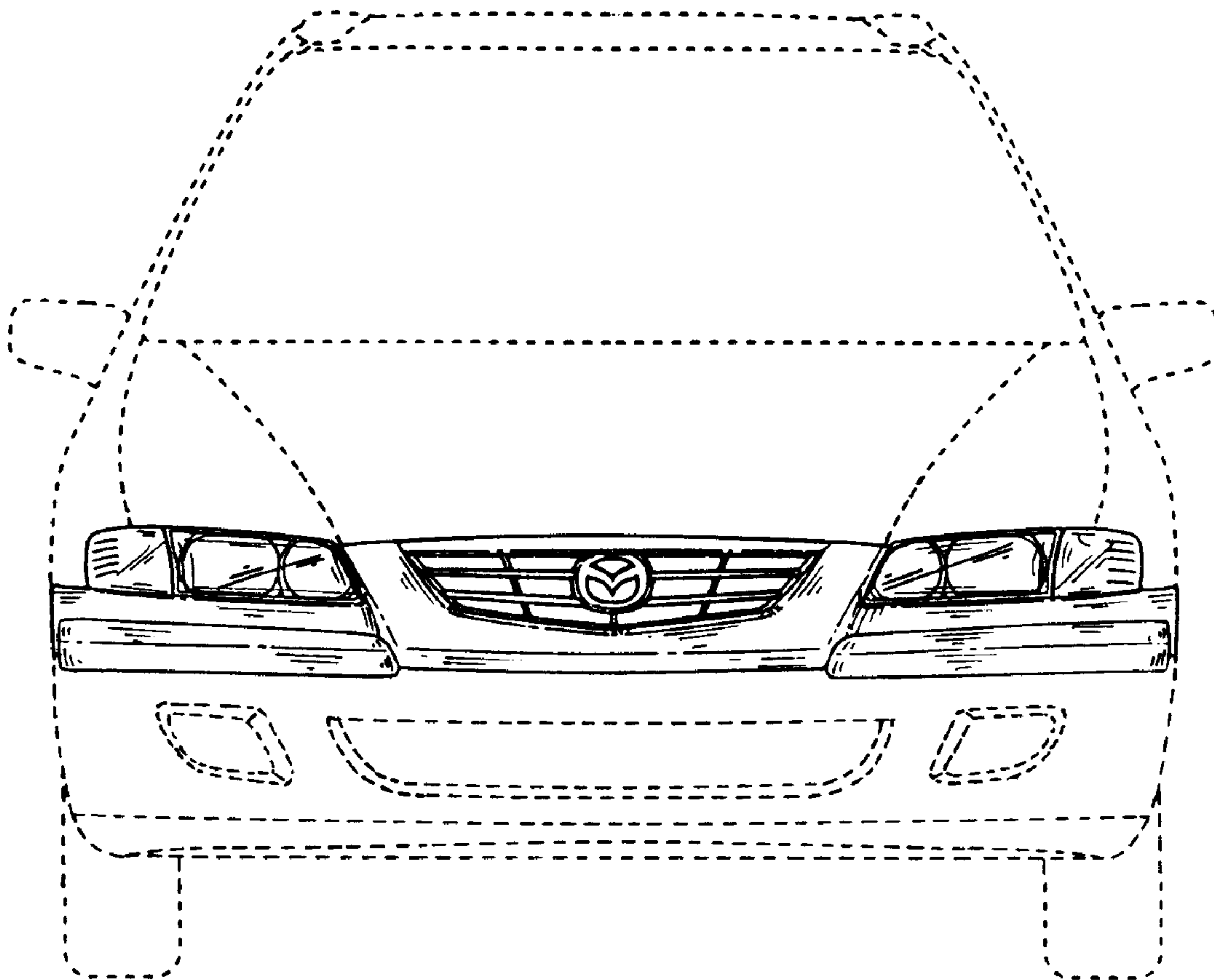
The portion of the motor vehicle shown in broken lines is for illustrative purpose only and forms no part of the claimed design.

[56] **References Cited**

U.S. PATENT DOCUMENTS

- D. 381,939 8/1997 Yex et al. D12/92
- D. 402,232 12/1998 Hayachi et al. D12/92
- D. 407,349 3/1999 Murakami et al. 312/91

1 Claim, 5 Drawing Sheets



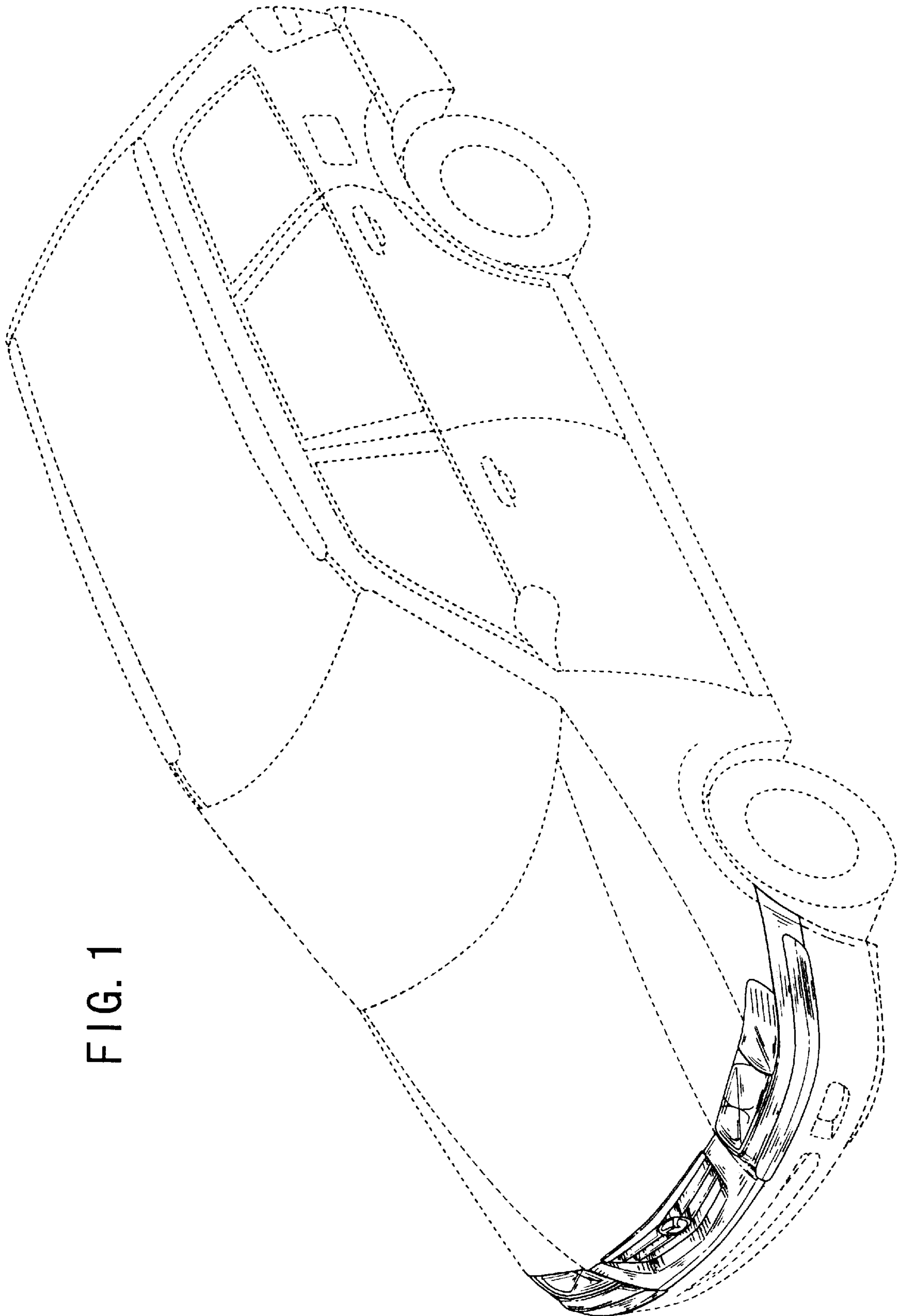


FIG. 1

FIG. 2

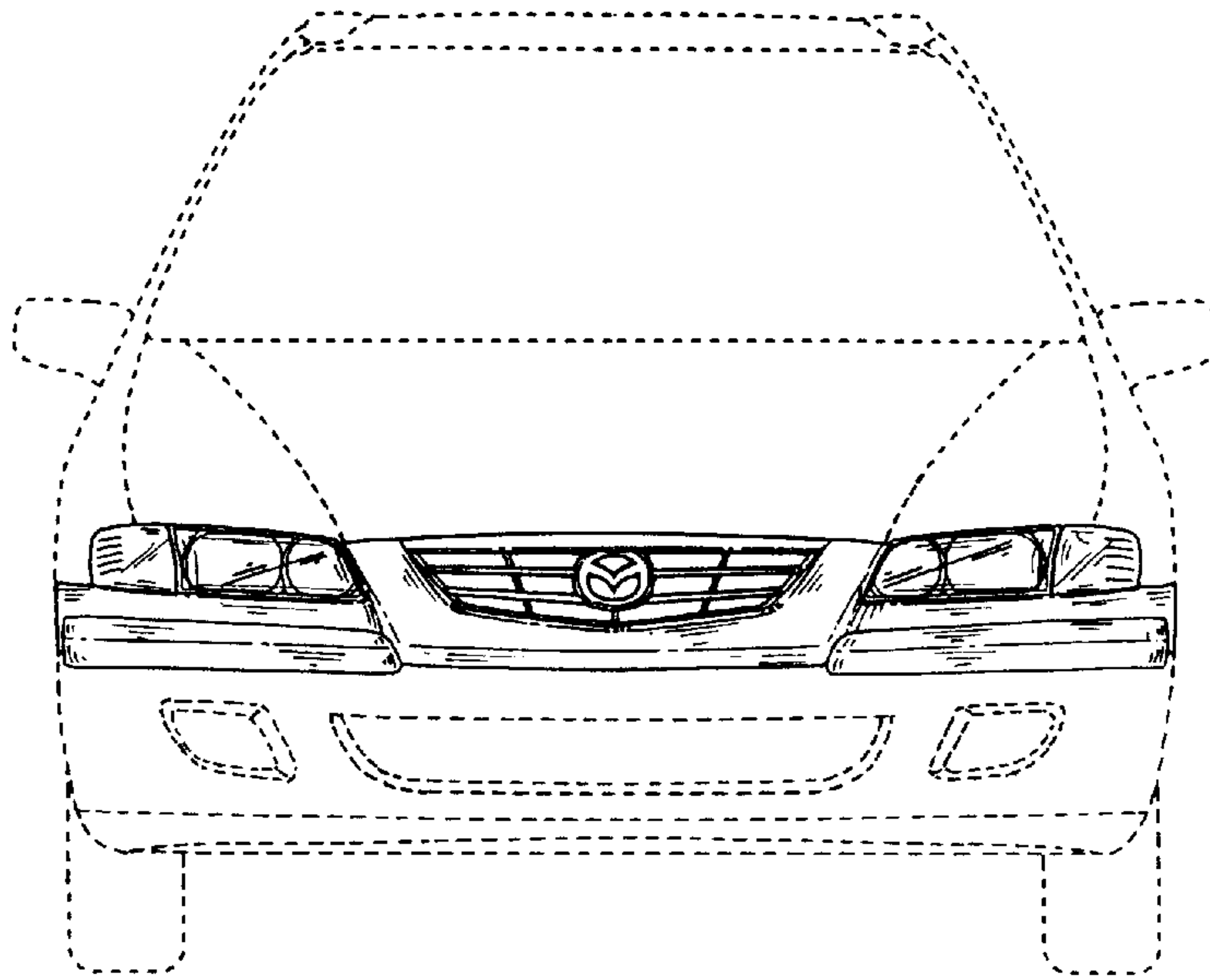


FIG. 3

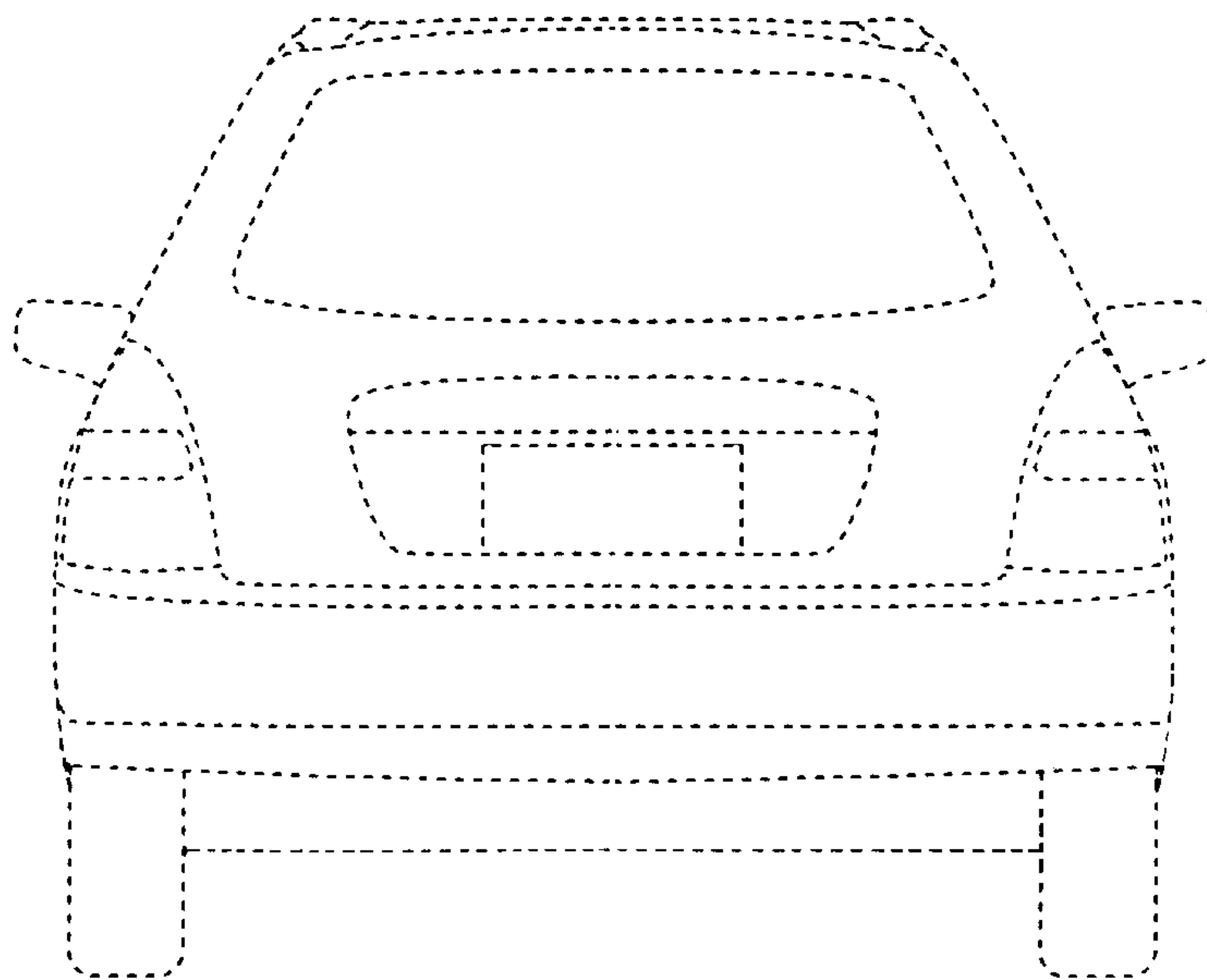


FIG. 4

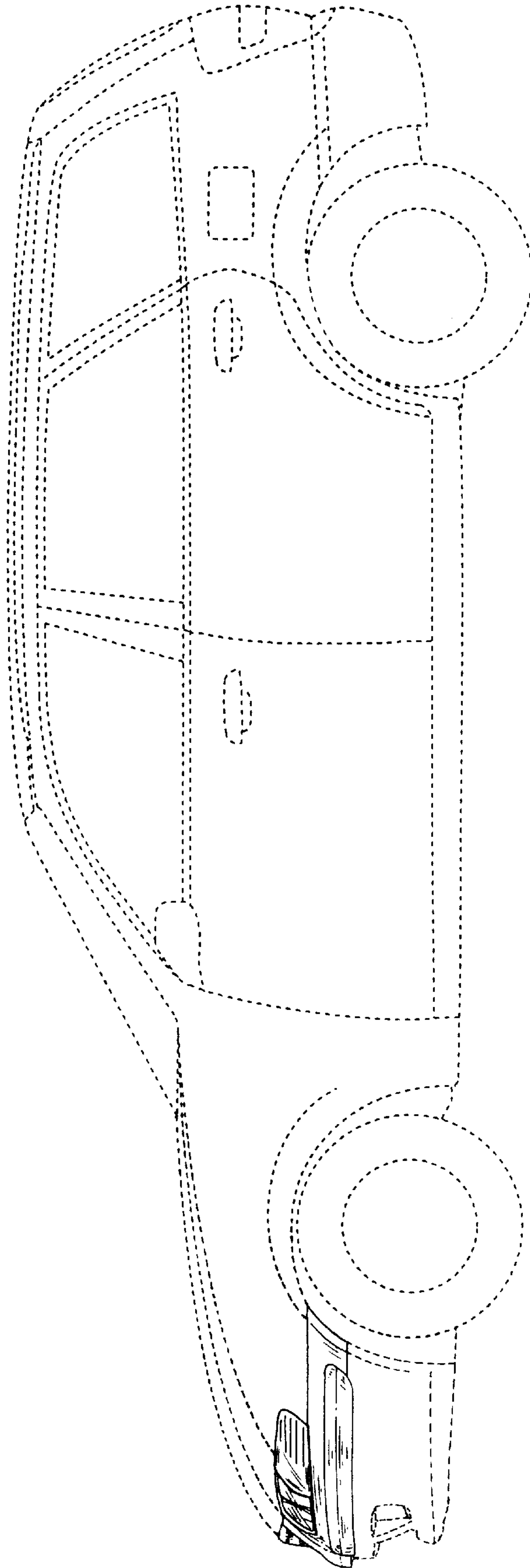


FIG. 5

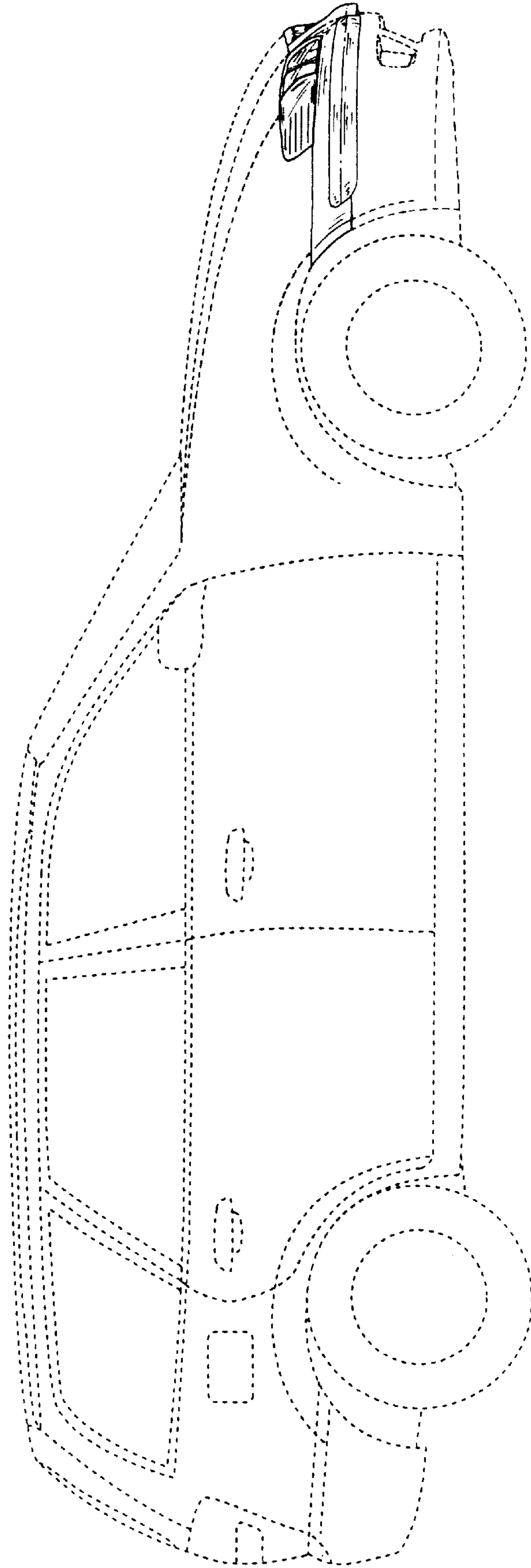


FIG. 6

