



US00D422547S

**United States Patent** [19]  
**Kitamura**

[11] **Patent Number: Des. 422,547**

[45] **Date of Patent: \*\* Apr. 11, 2000**

[54] **FRONT PORTION OF A MOTOR VEHICLE**

[75] Inventor: **Eiji Kitamura**, Hiroshima, Japan

[73] Assignee: **Mazda Motor Corporation**,  
Hiroshima-Ken, Japan

[\*\*] Term: **14 Years**

[21] Appl. No.: **29/094,209**

[22] Filed: **Sep. 28, 1998**

[51] **LOC (6) Cl.** ..... **12-16**

[52] **U.S. Cl.** ..... **D12/196**

[58] **Field of Search** ..... D12/196, 90-92;  
296/185

[56] **References Cited**

**U.S. PATENT DOCUMENTS**

- D. 373,331 9/1996 Ohkura et al. .... D12/91
- D. 402,232 12/1998 Hayachi et al. .... D12/92
- D. 407,349 3/1999 Murakami et al. .... D12/91
- D. 407,350 3/1999 Crain ..... D12/92

*Primary Examiner*—Melody N. Brown  
*Attorney, Agent, or Firm*—Sidley & Austin; Hugh A. Abrams

[57] **CLAIM**

The ornamental design for a front portion of a motor vehicle, as shown and described.

**DESCRIPTION**

FIG. 1 is a perspective view of a first front portion of a motor vehicle;

FIG. 2 is a front view of the first front portion;

FIG. 3 is a rear view of the motor vehicle;

FIG. 4 is a right side view of the first front portion, the opposite side being a mirror image of the side shown herein;

FIG. 5 is a top view of the first front portion;

FIG. 6 is a perspective view of a second front portion of a motor vehicle;

FIG. 7 is a front view of the second front portion;

FIG. 8 is a rear view of the motor vehicle;

FIG. 9 is a right side view of the second front portion, the opposite side being a mirror image of the side shown herein;

and,

FIG. 10 is a top view of the second front portion.

The portion of the motor vehicle shown in broken lines is for illustrative purpose only and forms no part of the claimed design.

**1 Claim, 8 Drawing Sheets**

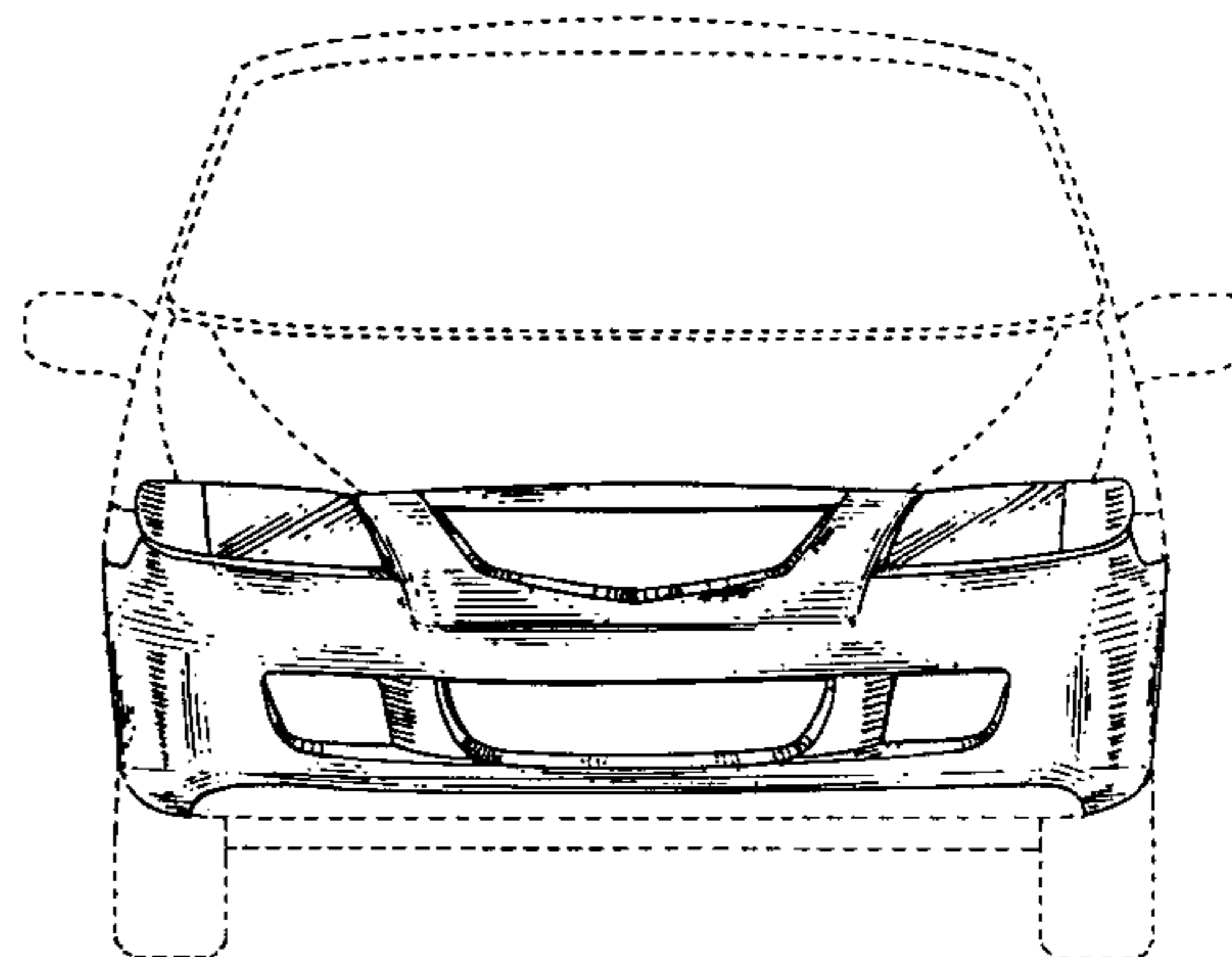
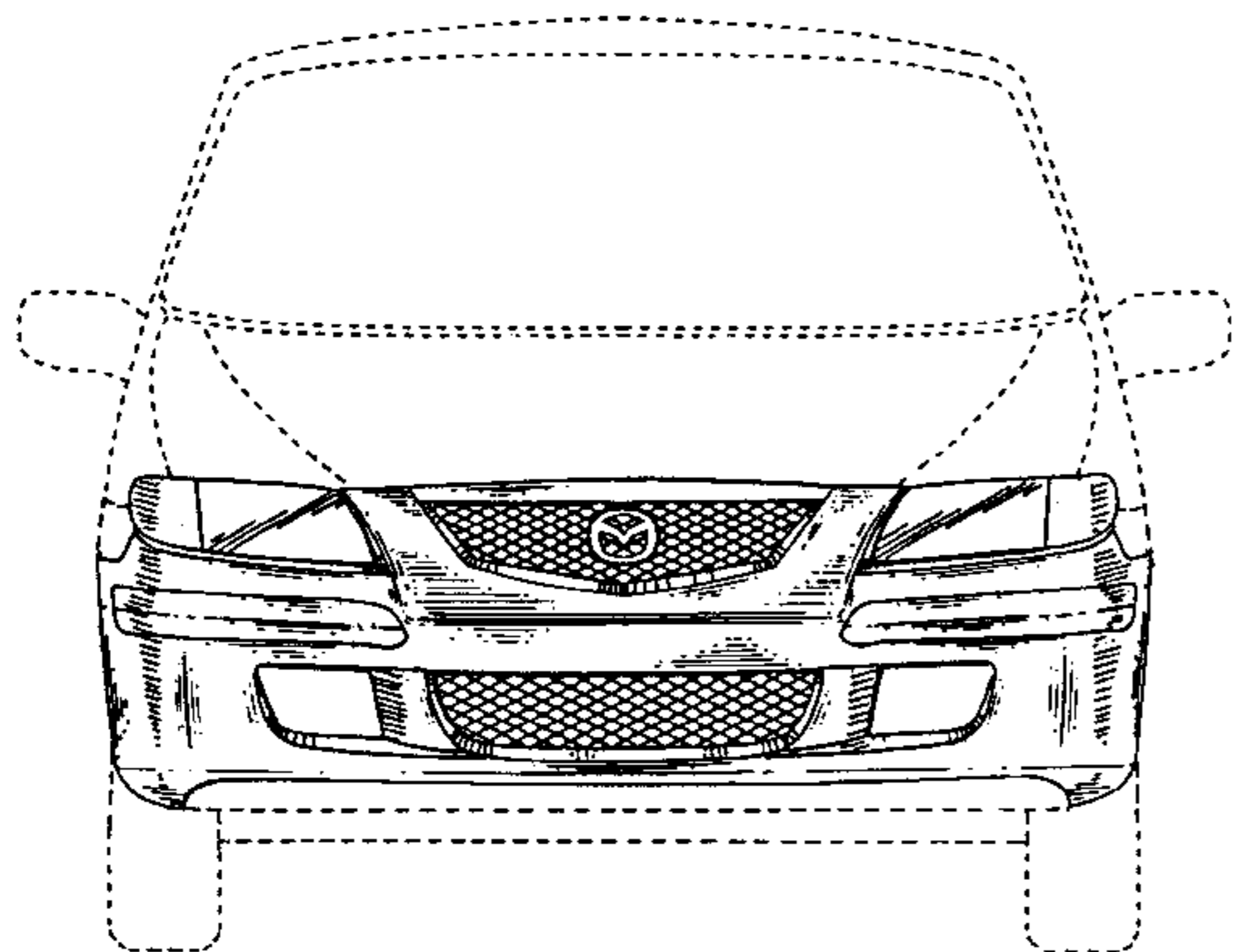


FIG. 1

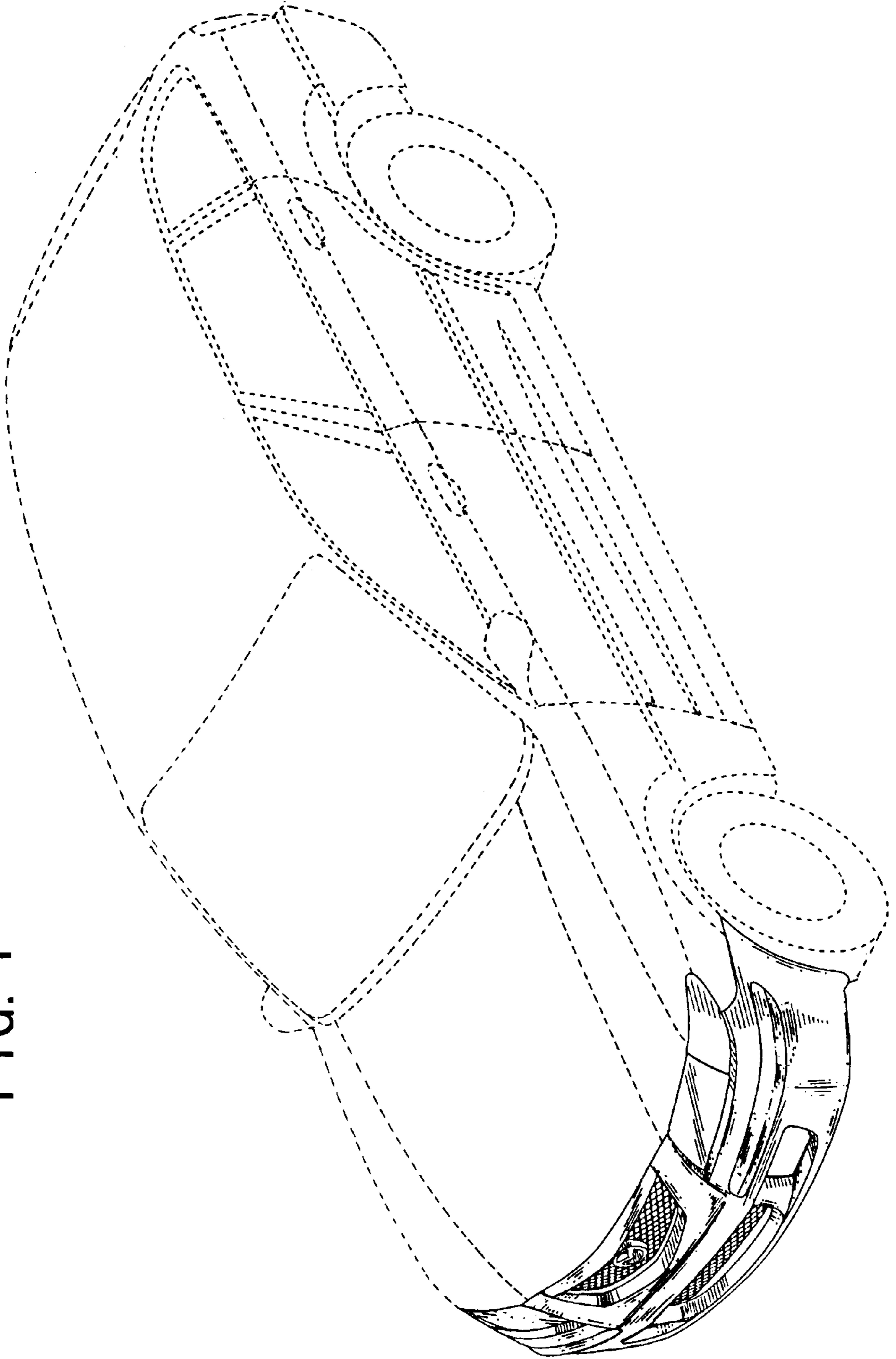


FIG. 2

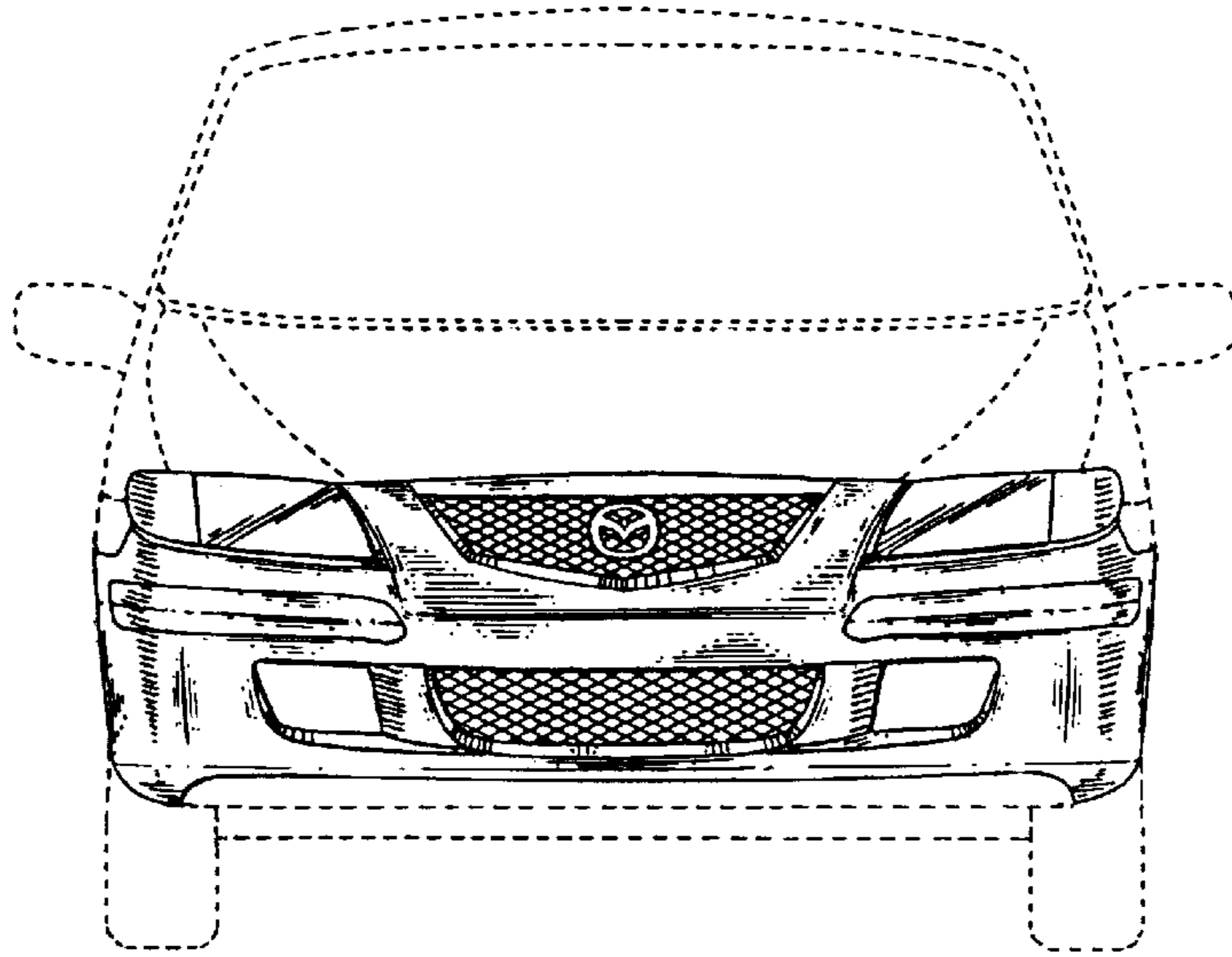


FIG. 3

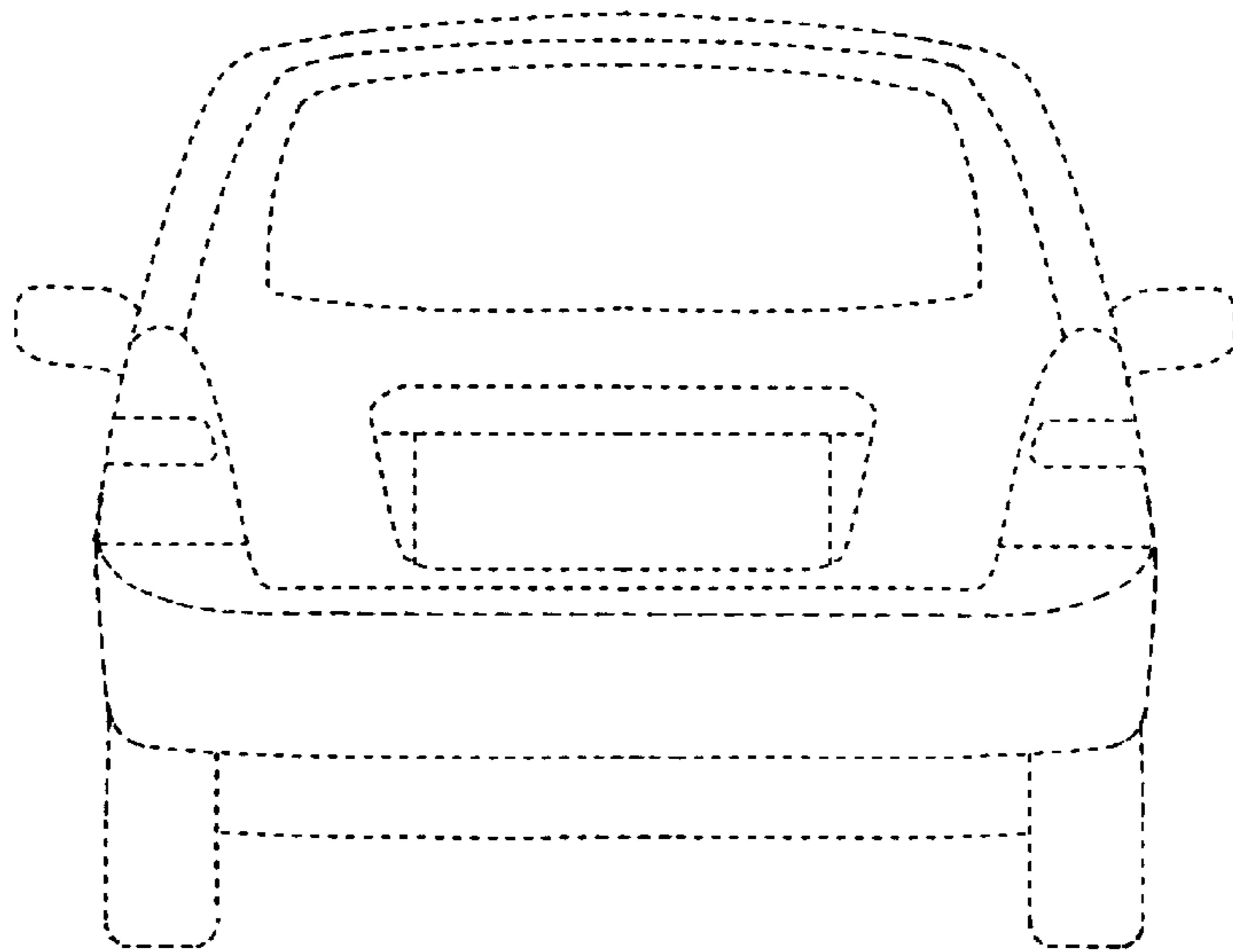


FIG. 4

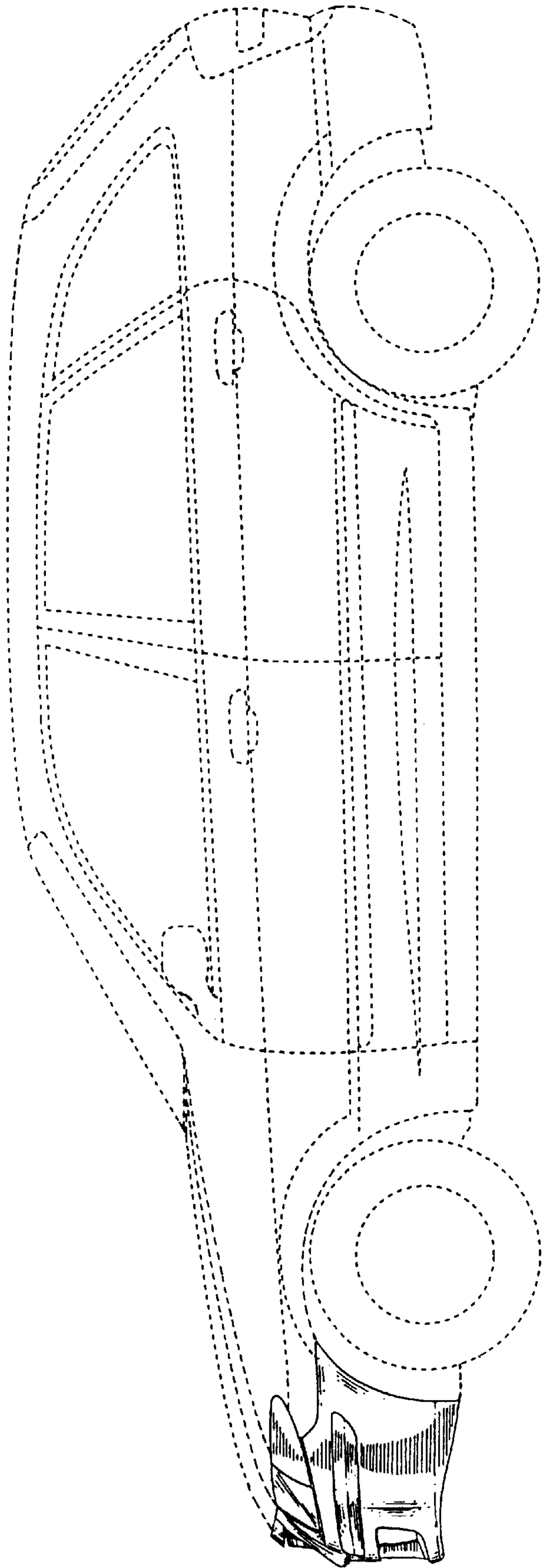


FIG. 5

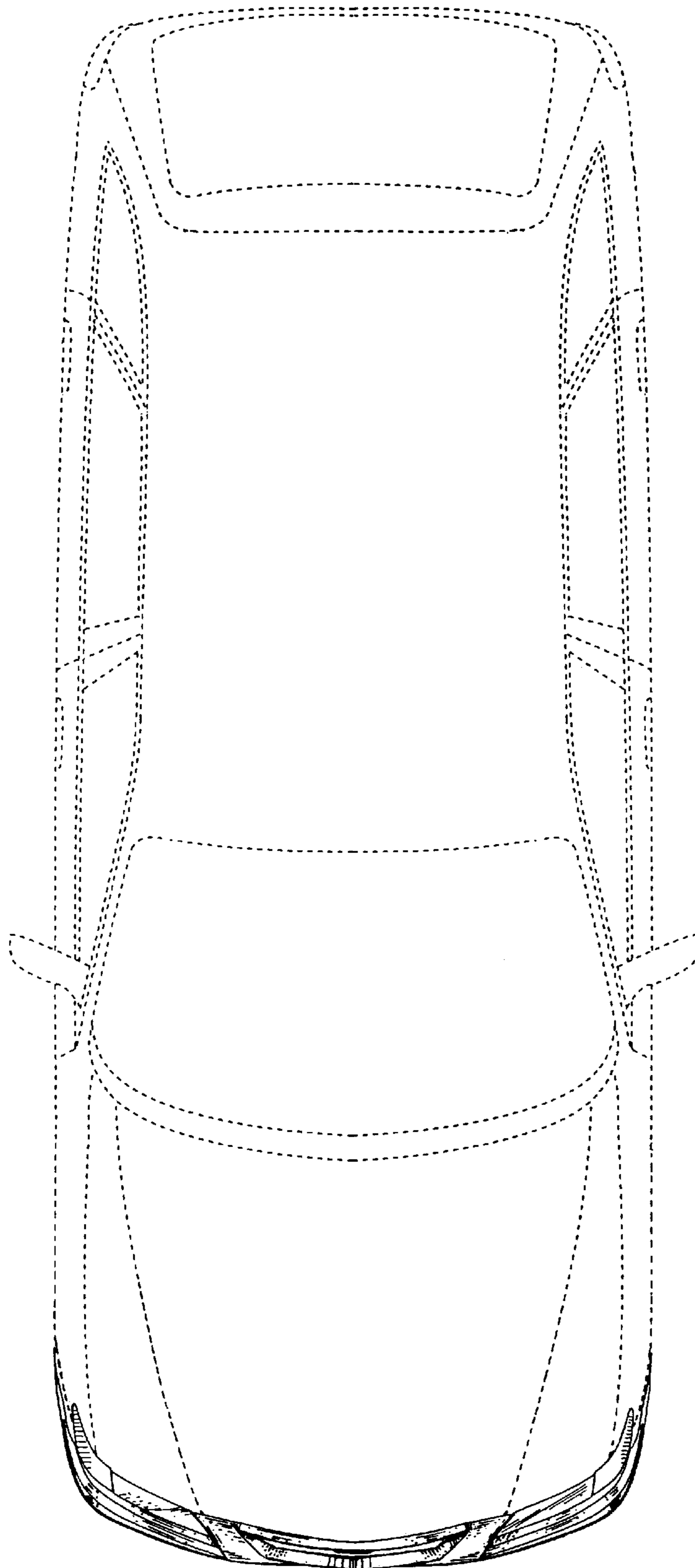




FIG. 6

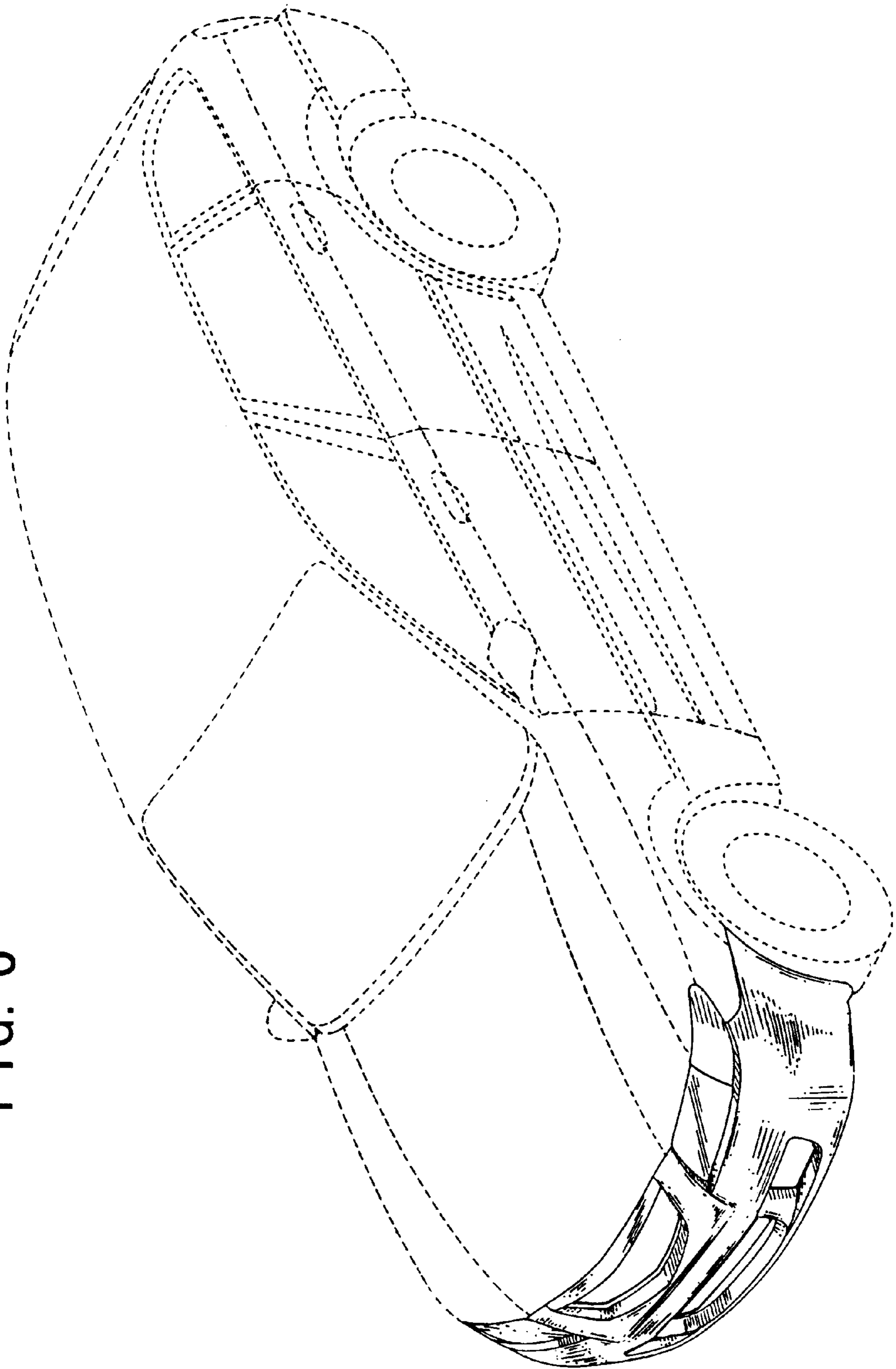


FIG. 7

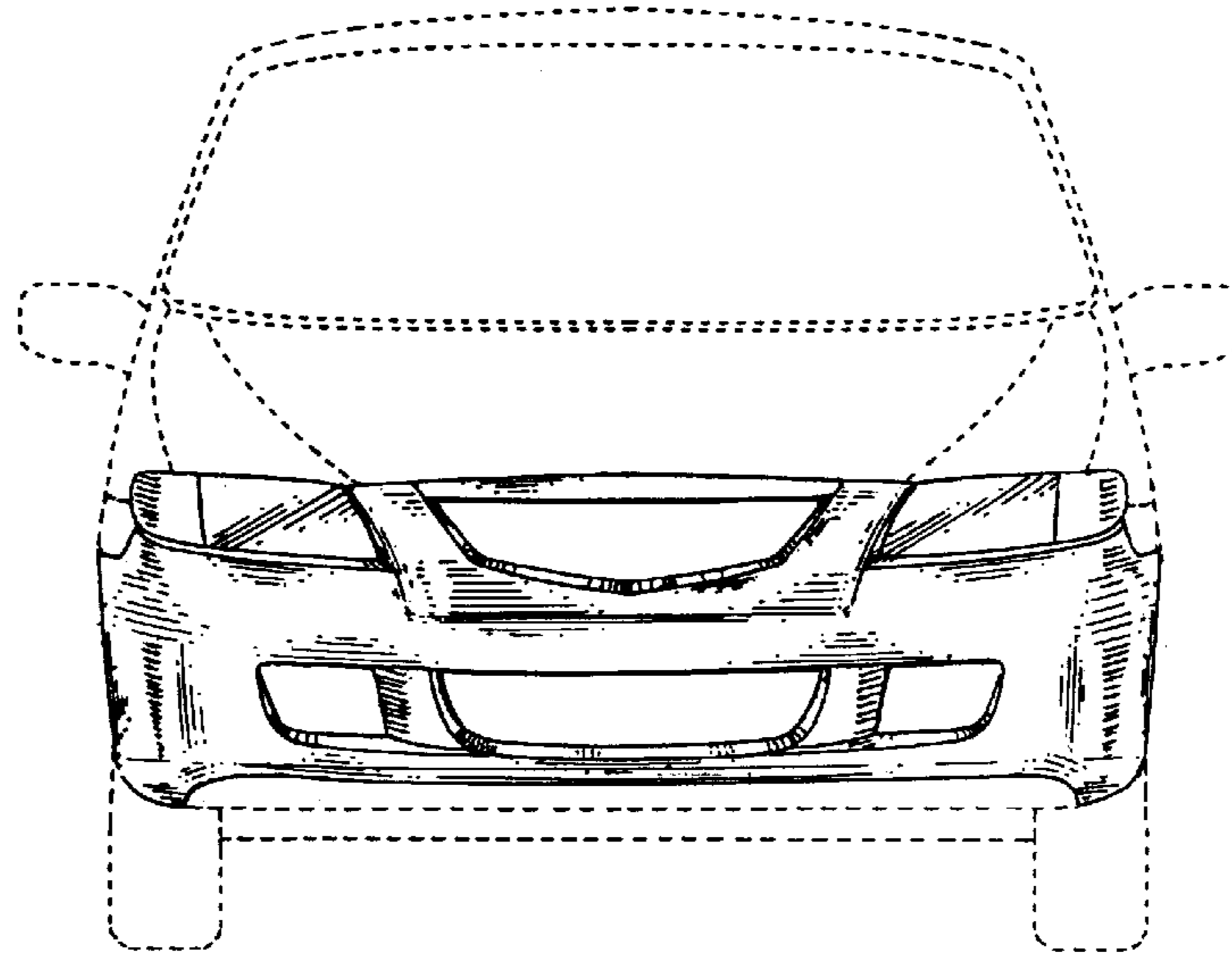


FIG. 8

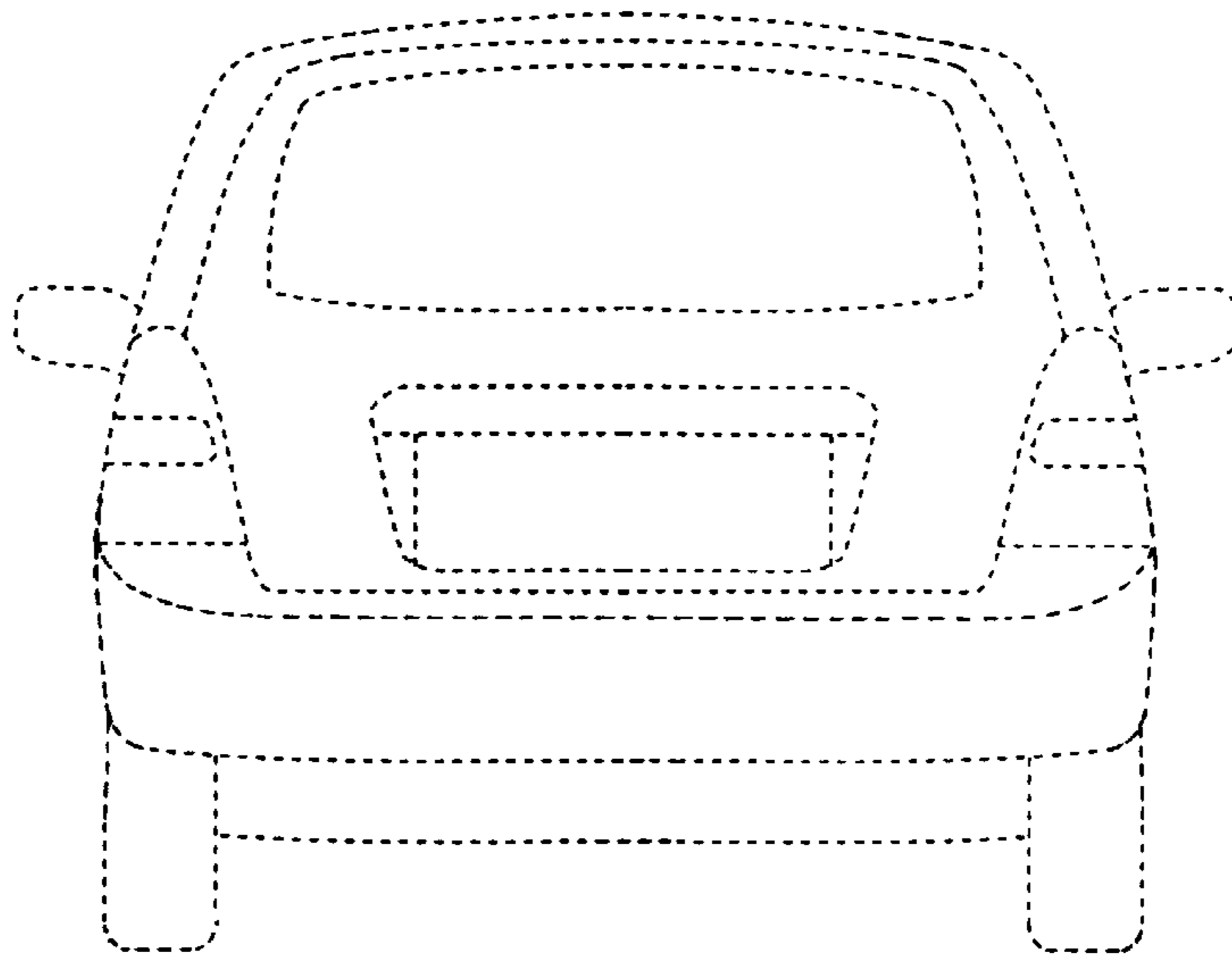


FIG. 9

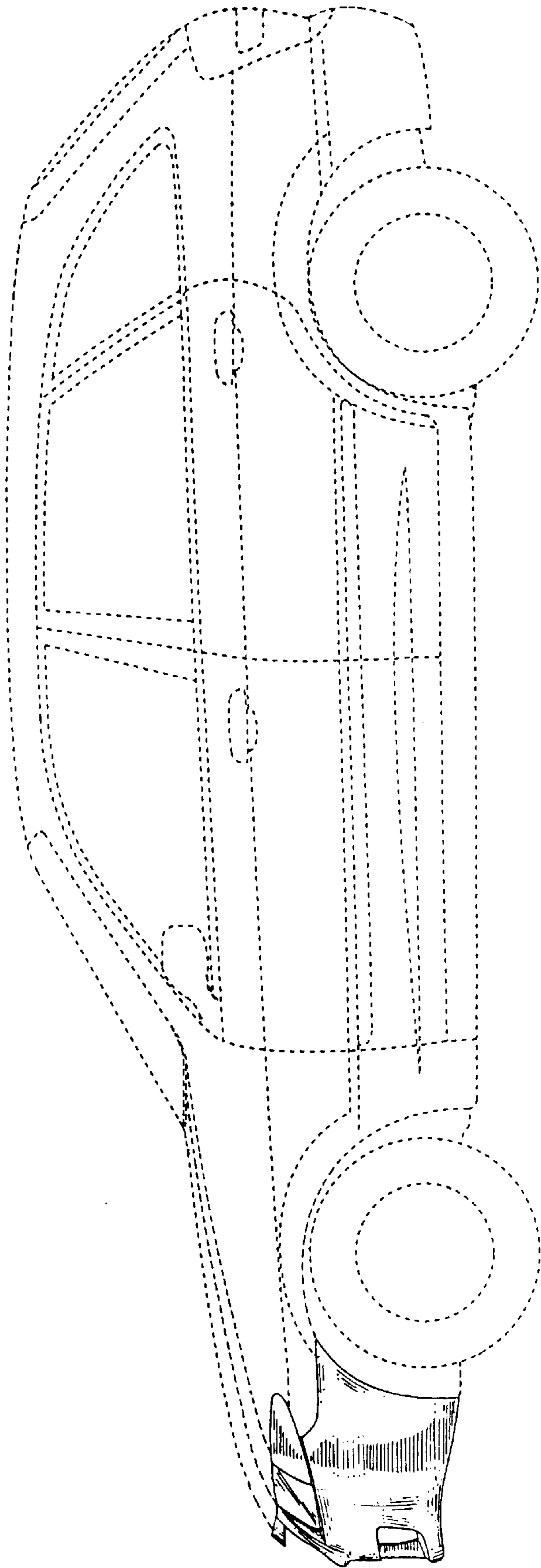




FIG. 10

