



US00D422546S

United States Patent [19]

Toyoda

[11] Patent Number: Des. 422,546

[45] Date of Patent: ** Apr. 11, 2000

[54] FRONT PORTION OF A MOTOR VEHICLE

[75] Inventor: Tsuyoshi Toyoda, Aki-gun, Japan

[73] Assignee: Mazda Motor Corporation,
Hiroshima-ken, Japan

[**] Term: 14 Years

[21] Appl. No.: 29/094,205

[22] Filed: Sep. 28, 1998

[51] LOC (6) Cl. 12-16

[52] U.S. Cl. D12/196

[58] Field of Search D12/196, 90-92;
296/185

[56] **References Cited**

U.S. PATENT DOCUMENTS

- D. 373,331 9/1996 Ohkura et al. D12/91
- D. 402,232 12/1998 Hayachi et al. D12/92
- D. 407,349 3/1999 Murakami et al. D12/91
- D. 407,350 3/1999 Crain D12/92

D. 413,552 9/1999 Sims et al. D12/92

Primary Examiner—Melody N. Brown
Attorney, Agent, or Firm—Sidley & Austin; Hugh A. Abrams

[57] **CLAIM**

The ornamental design for a front portion of a motor vehicle, as shown and described.

DESCRIPTION

FIG. 1 is a perspective view of a first front portion of a motor vehicle;
 FIG. 2 is a front view of the first front portion;
 FIG. 3 is a rear view of the motor vehicle;
 FIG. 4 is a right side view of the first front portion, the opposite side being a mirror image of the side shown herein; and,
 FIG. 5 is a top view of the first front portion.
 The portion of the motor vehicle shown in broken lines is for illustrative purpose only and forms no part of the claimed design.

1 Claim, 4 Drawing Sheets

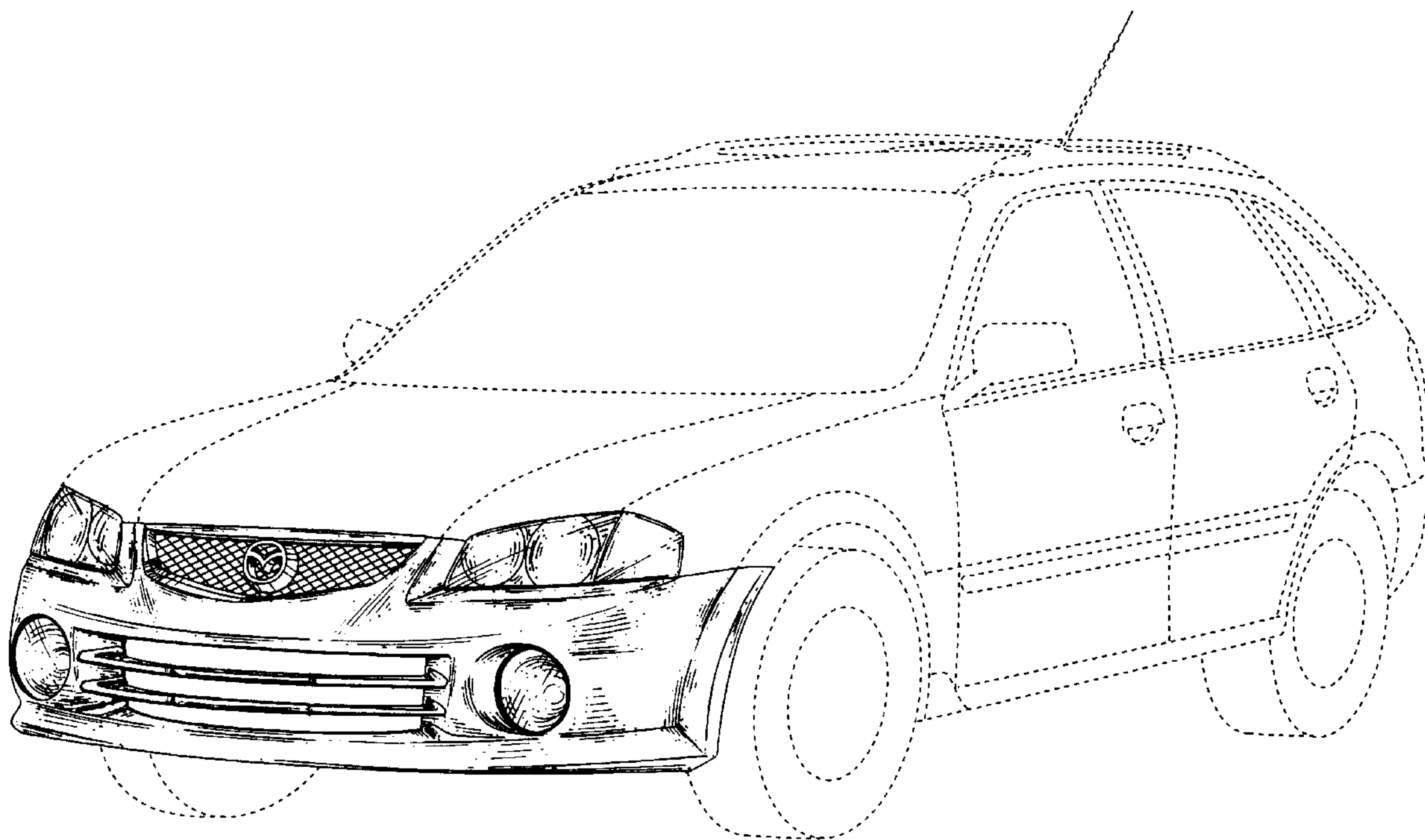


FIG. 1

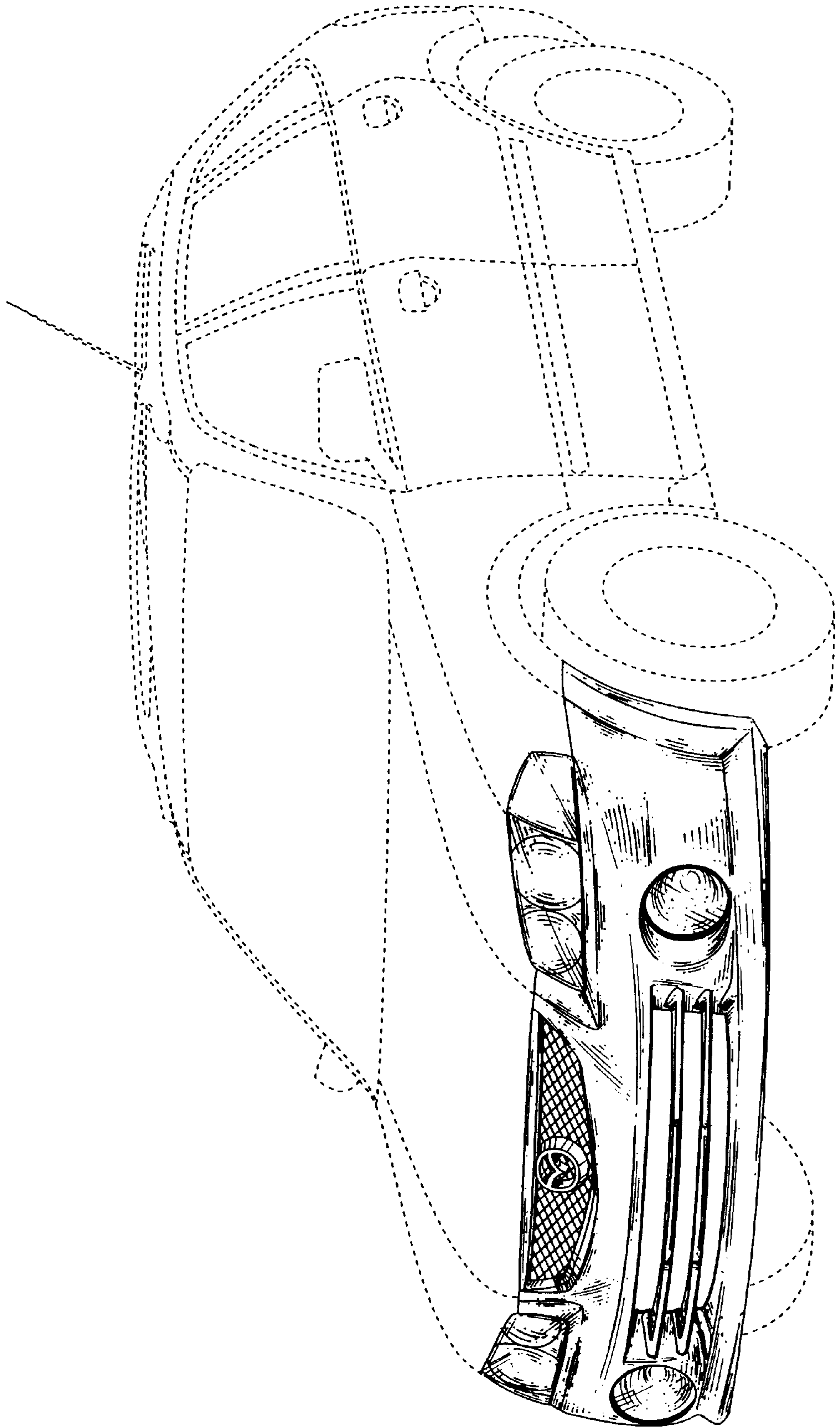


FIG. 2

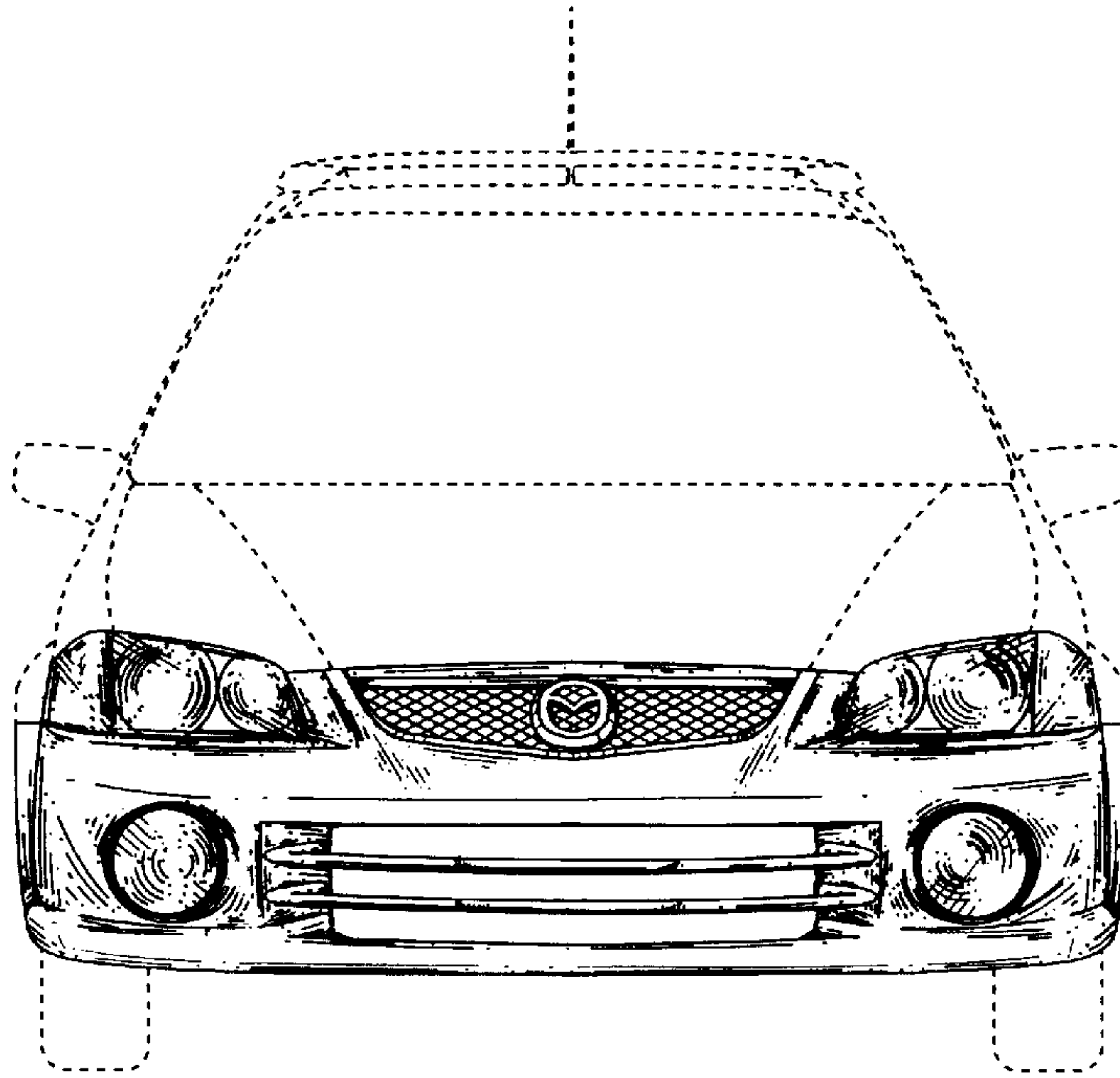


FIG. 3

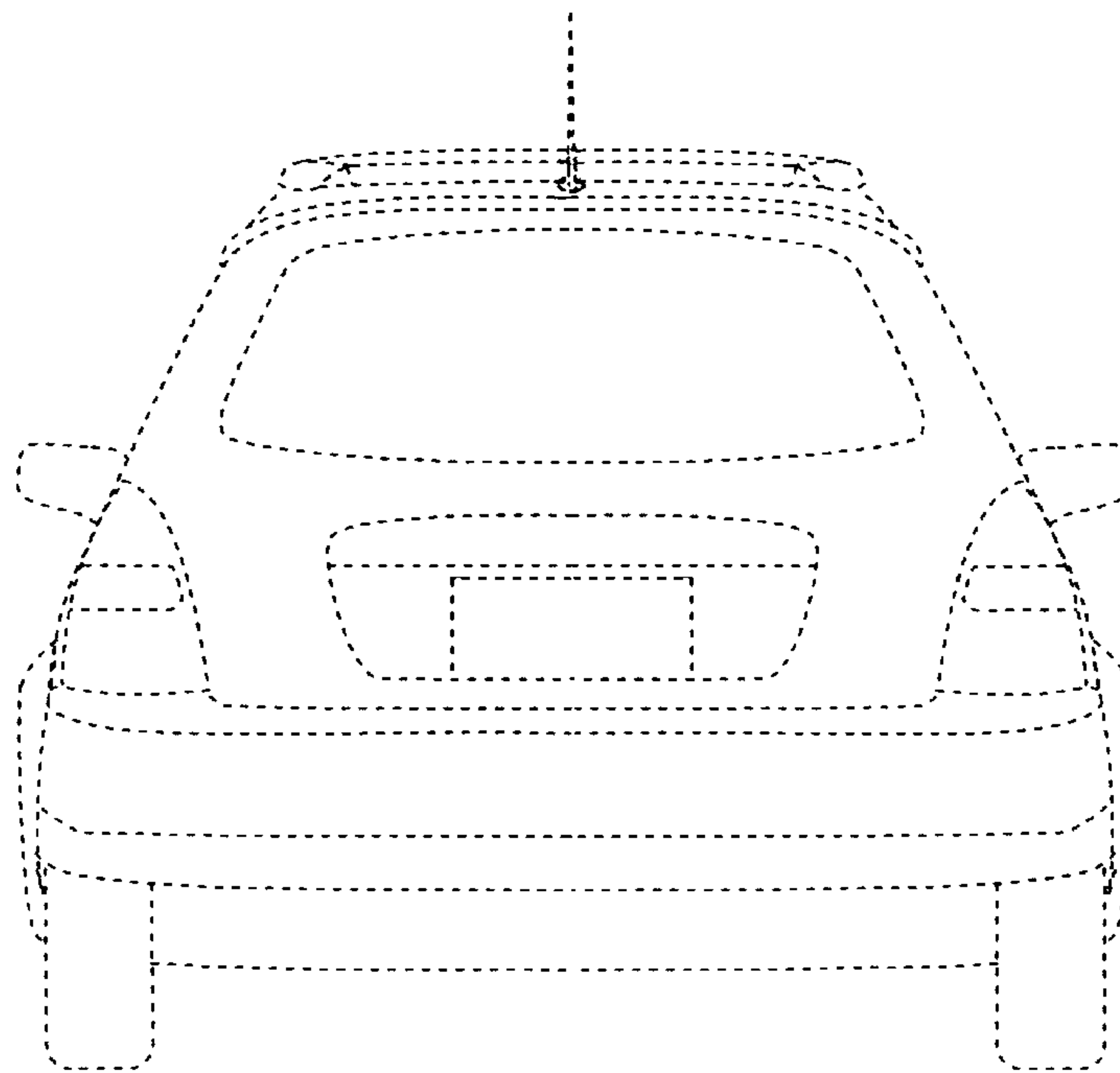


FIG. 4

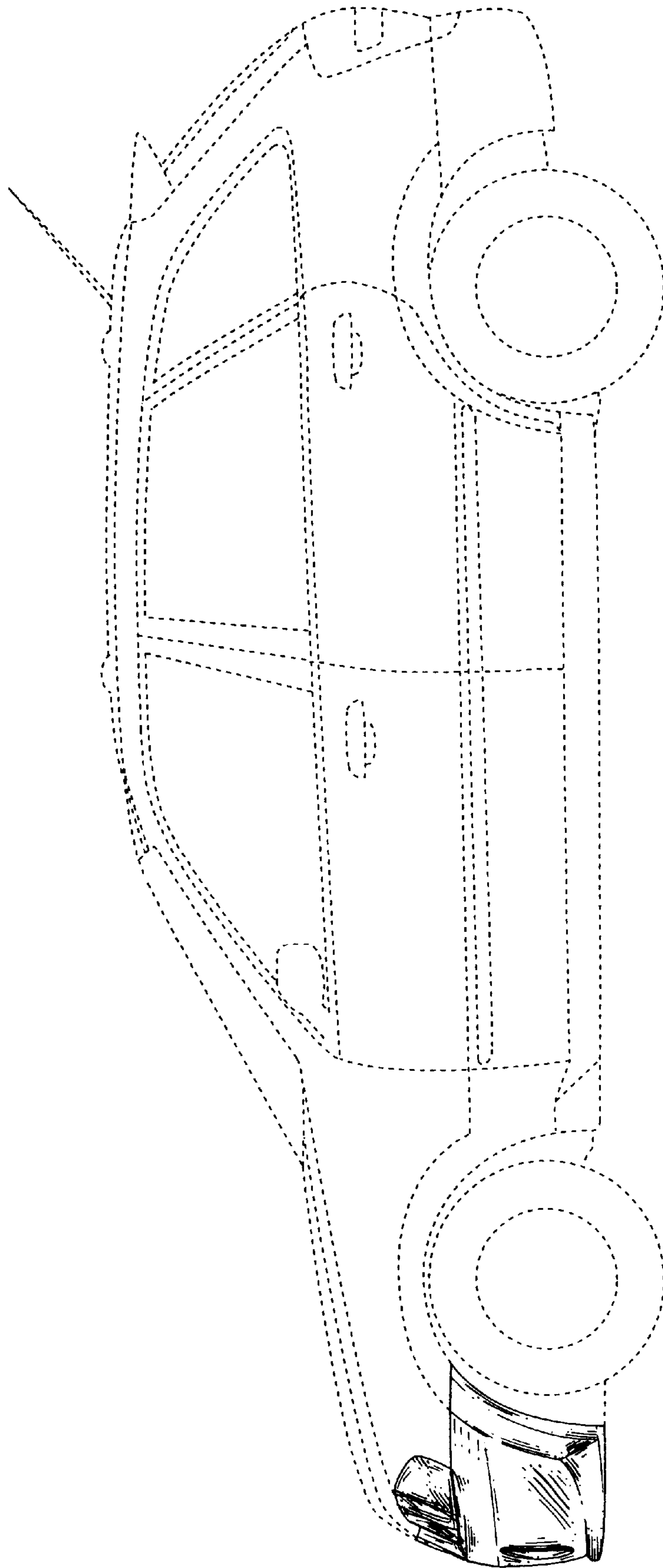


FIG. 5

