



US00D422543S

# United States Patent [19] Tamaribuchi

[11] Patent Number: Des. 422,543

[45] Date of Patent: \*\* Apr. 11, 2000

[54] **COMBINED ROAD BIKE HANDLEBAR AND GRIPS THEREFOR**

[75] Inventor: **Stephen K. Tamaribuchi**, Rancho Cordova, Calif.

[73] Assignee: **BioGrip, Inc.**, Rancho Cordova, Calif.

[\*\*] Term: **14 Years**

[21] Appl. No.: **29/102,526**

[22] Filed: **Mar. 25, 1999**

[51] **LOC (6) Cl.** ..... **12-16**

[52] **U.S. Cl.** ..... **D12/178**

[58] **Field of Search** ..... D12/114, 178,  
D12/111; D8/303; 74/551.1-551.9

[56] **References Cited**

**U.S. PATENT DOCUMENTS**

D. 247,170	2/1978	Heber	.....	D12/178
D. 347,613	6/1994	Jeshurun et al.	.....	D12/178
D. 362,418	9/1995	Li	.....	D12/114
4,503,729	3/1985	Shimano	.....	74/551.1
4,934,024	6/1990	Sexton, I .		
5,257,552	11/1993	Boyer et al.	.....	74/551.1
5,285,696	2/1994	Taylor	.....	74/551.1

Primary Examiner—Pamela Burgess

Attorney, Agent, or Firm—Mark C. Jacobs, Esq.

[57] **CLAIM**

The ornamental design for a combined road bike handlebar and grips therefor, as shown and described.

**DESCRIPTION**

FIG. 1 is a top perspective view of a combined road bike handle bar and grips therefor;

FIG. 2 is a left side elevational view, the undisclosed right side elevational view being a mirror image;

FIG. 3 is a bottom plan view thereof;

FIG. 4 is a right side elevational view of the grip portion shown broken away for ease of illustration, as seen from line 4—4 in FIG. 3;

FIG. 5 is a top plan view thereof;

FIG. 6 is a front elevational view thereof;

FIG. 7 is a rear elevational view thereof;

FIG. 8 is an right end elevational view of a second embodiment of FIG. 1, the undisclosed left end being a mirror image;

FIG. 9 is a bottom plan view thereof;

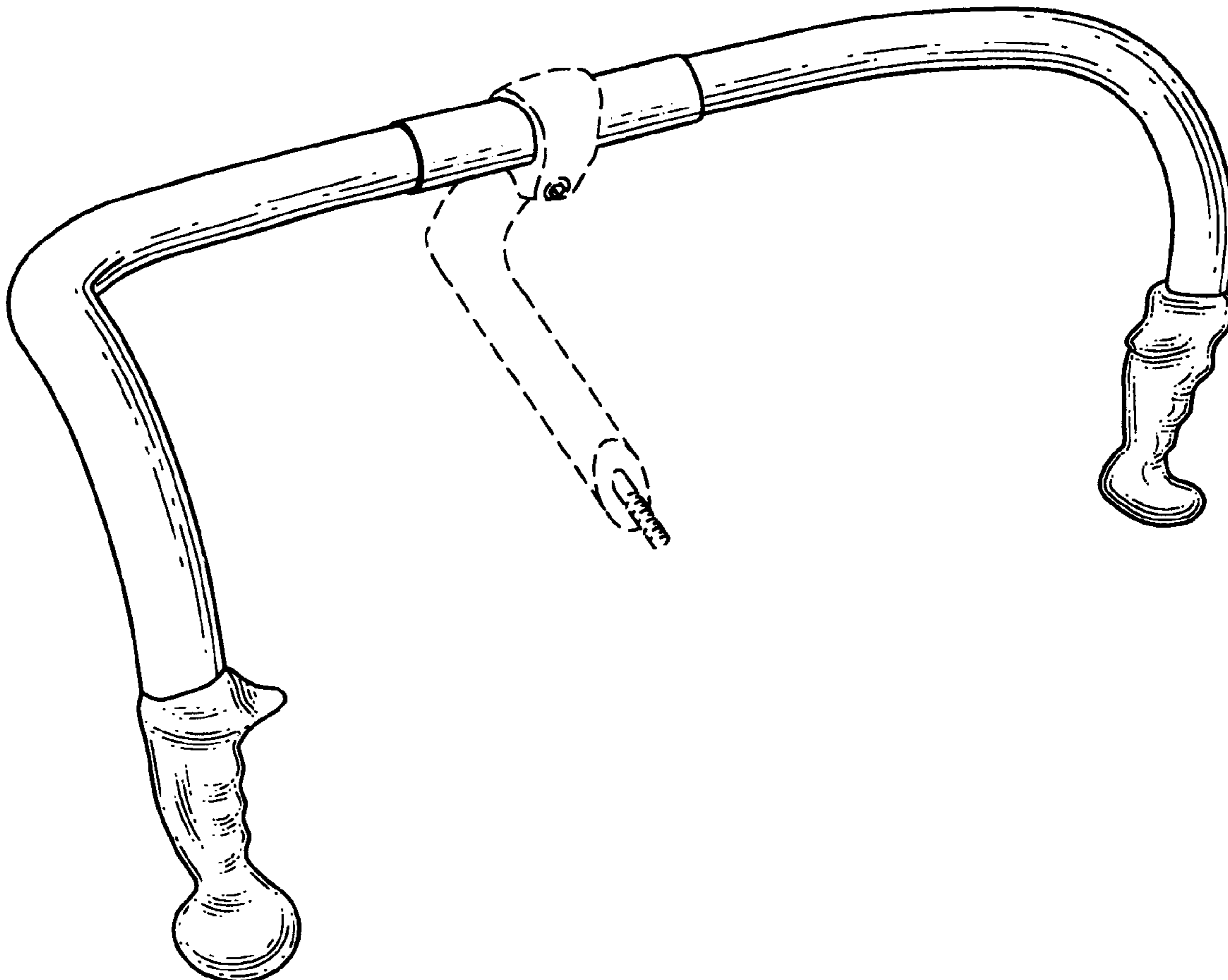
FIG. 10 is a top plan view thereof;

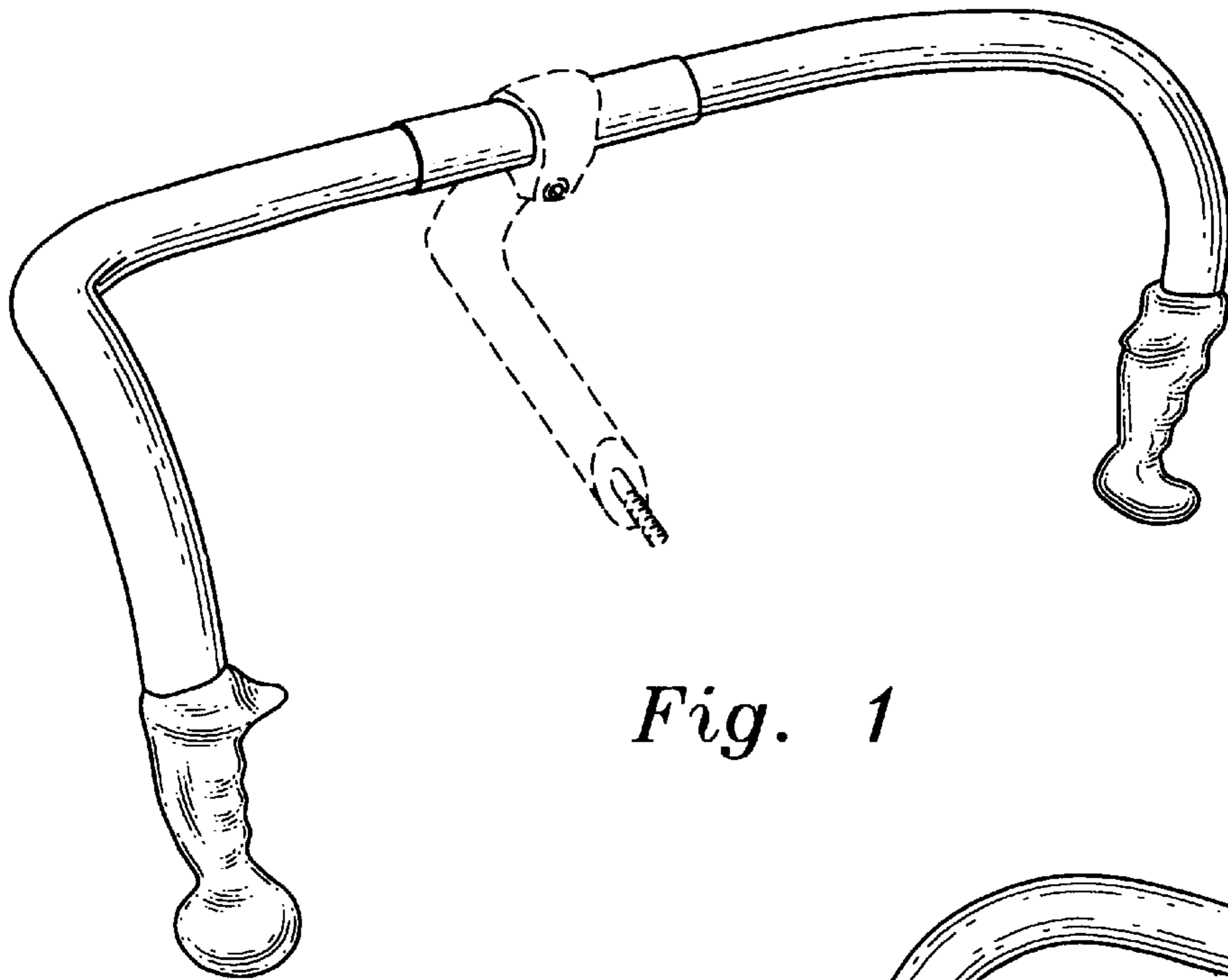
FIG. 11 is a front elevational view thereof; and,

FIG. 12 is a rear elevational view thereof.

The broken lines shown are for illustrative purposes only and form no part of the claimed design.

1 Claim, 3 Drawing Sheets

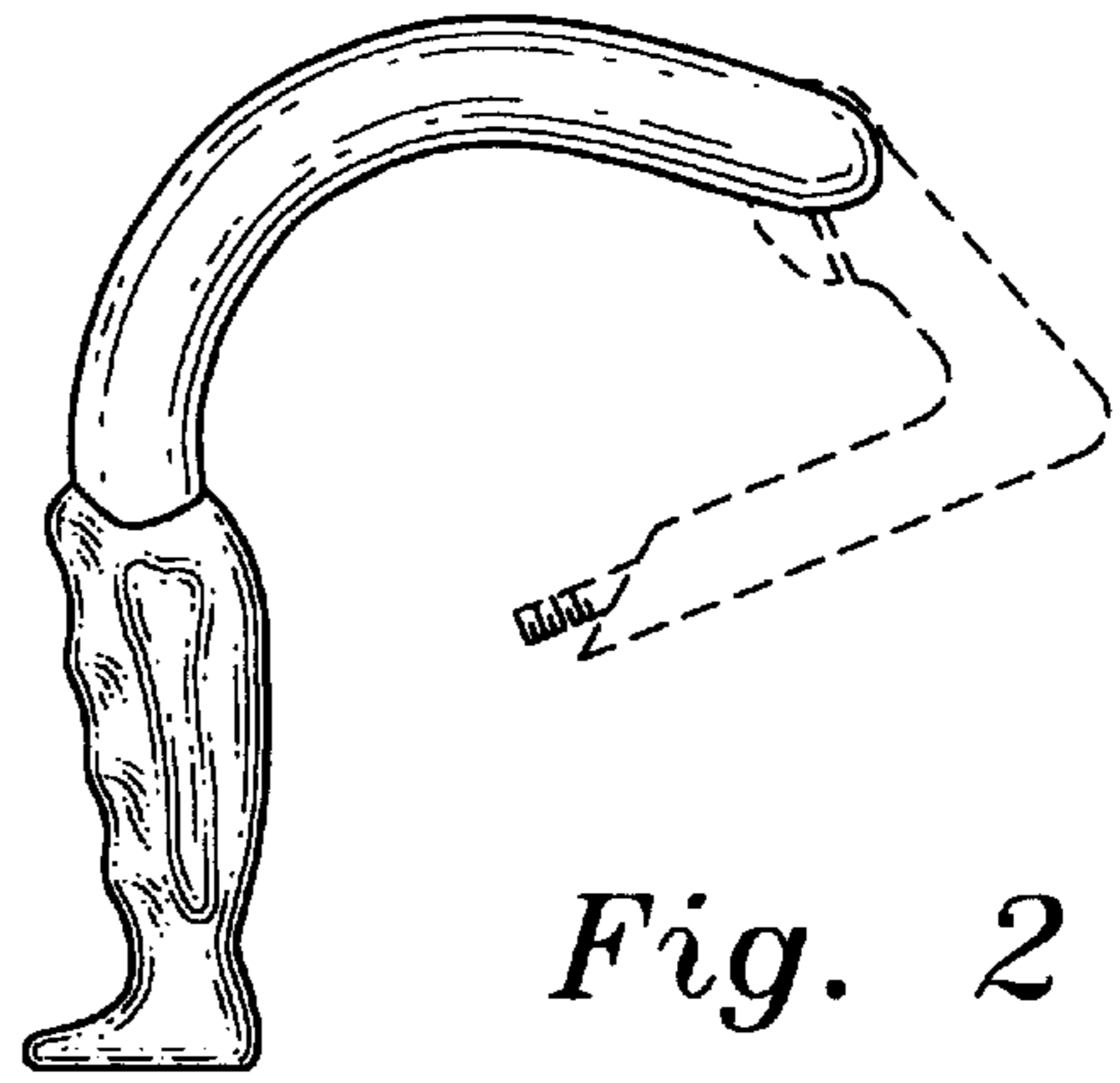




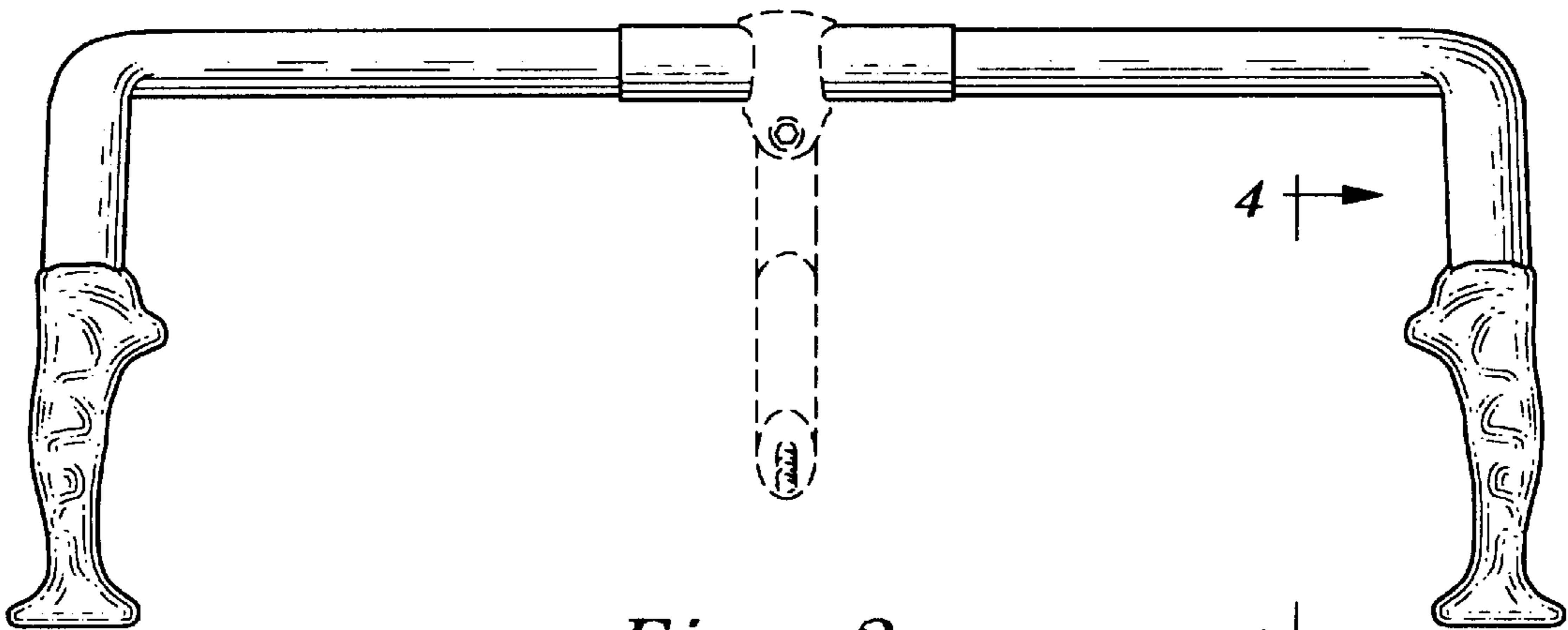
*Fig. 1*



*Fig. 4*



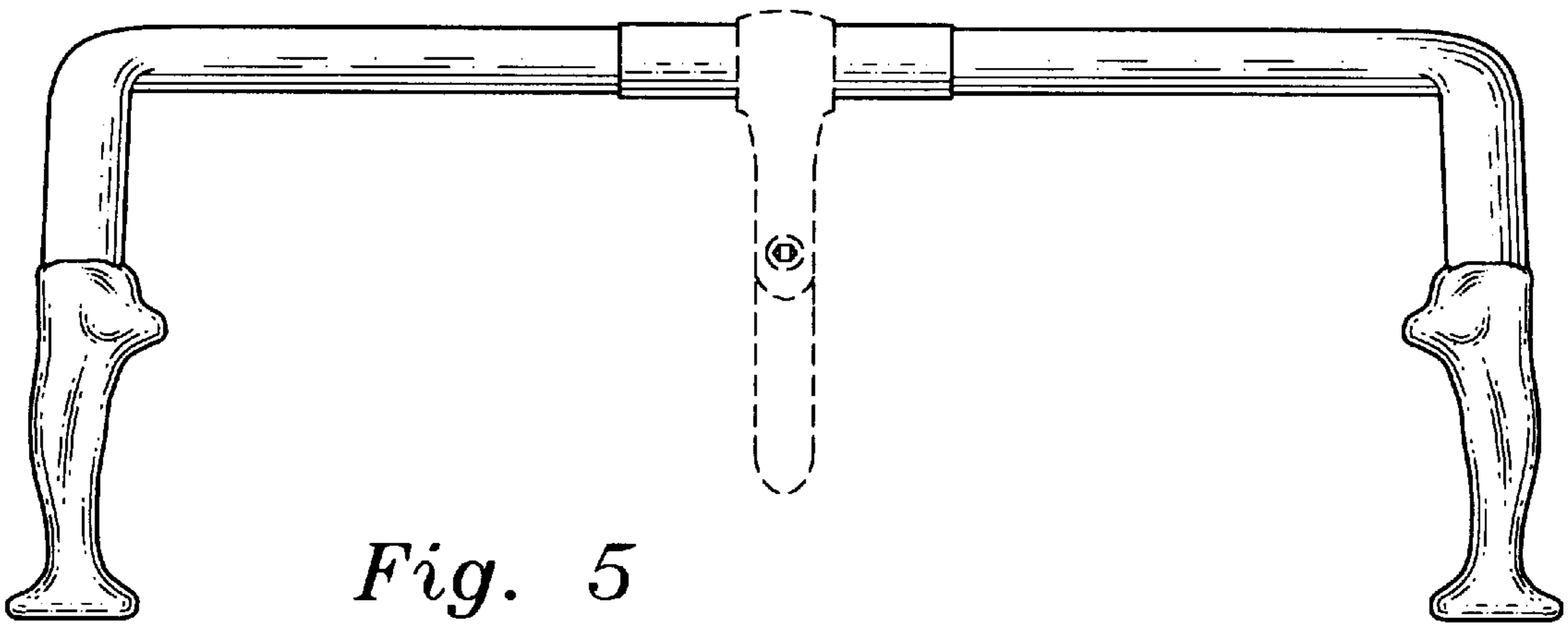
*Fig. 2*



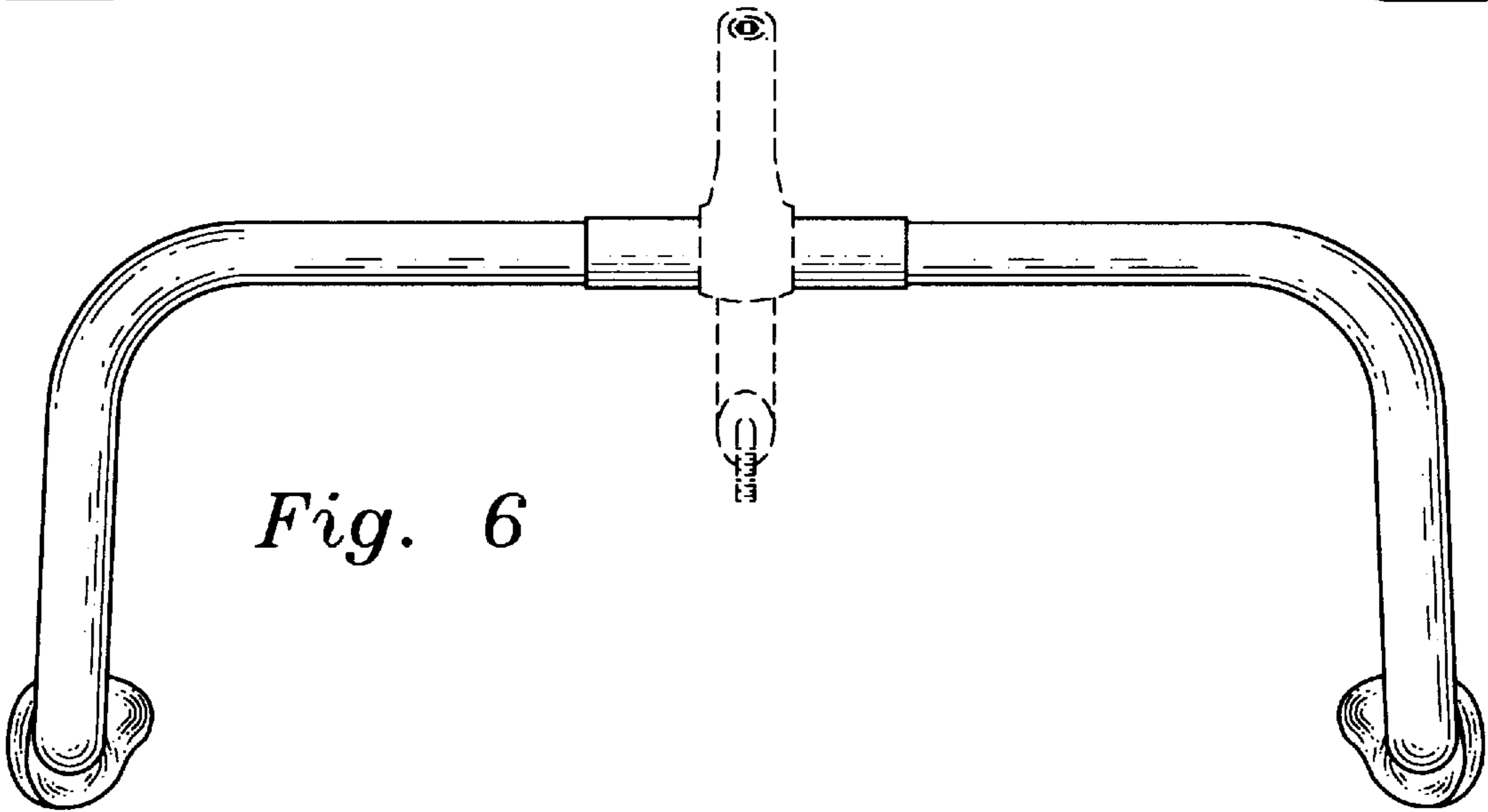
*Fig. 3*

4 →

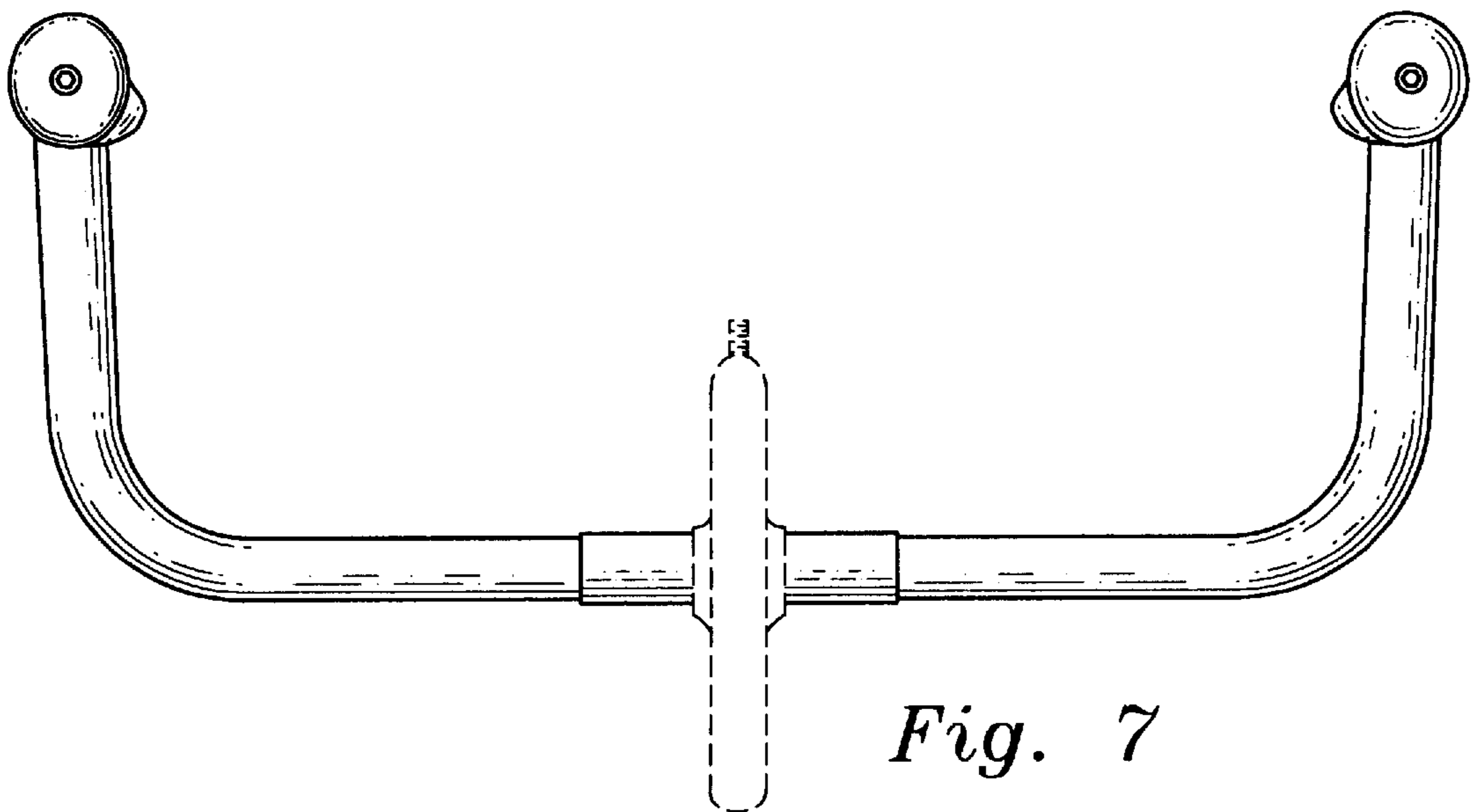
4 →



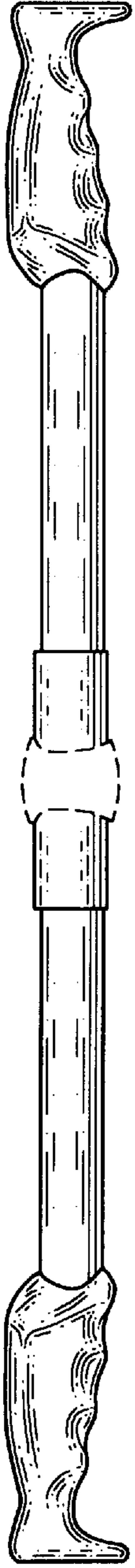
*Fig. 5*



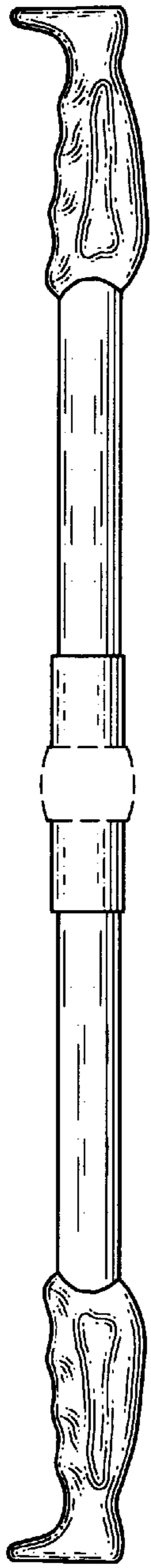
*Fig. 6*



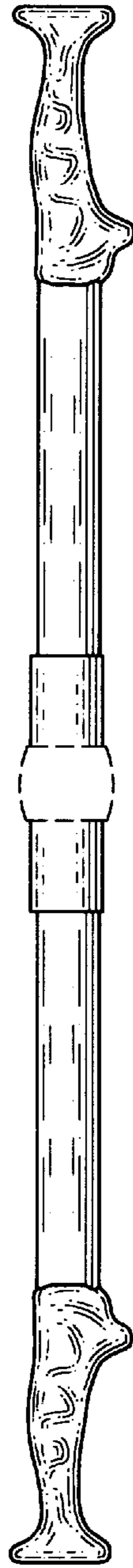
*Fig. 7*



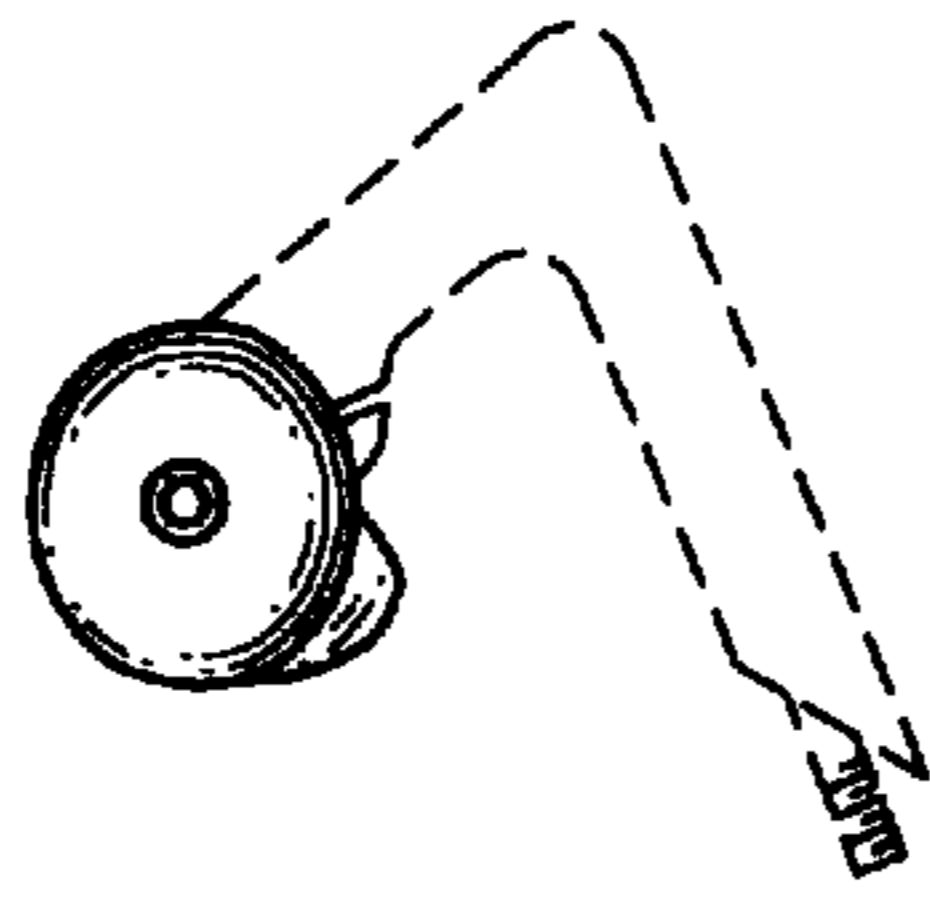
*Fig. 9*



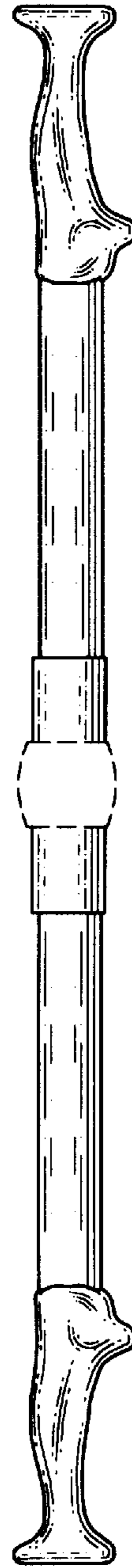
*Fig. 10*



*Fig. 11*



*Fig. 8*



*Fig. 12*