



US00D422538S

# United States Patent [19]

Chen et al.

[11] Patent Number: **Des. 422,538**

[45] Date of Patent: **\*\* Apr. 11, 2000**

[54] **STROLLER**

D. 402,234 12/1998 Julien et al. .... D12/129  
5,447,323 9/1995 Huang ..... 280/642

[75] Inventors: **Er-Jui Chen**, Feng-Shan; **Hung-Chung Hou**, Tai-Pao, both of Taiwan

*Primary Examiner*—Kay H. Chin  
*Attorney, Agent, or Firm*—W. Wayne Liauh

[73] Assignee: **Link Treasure Limited**, Tortola, Virgin Islands (Br.)

[57] **CLAIM**

[\*\*] Term: **14 Years**

The ornamental design for a stroller, as shown and described.

[21] Appl. No.: **29/108,338**

### DESCRIPTION

[22] Filed: **Jul. 24, 1999**

FIG. 1 is a perspective view of stroller, showing our new design;

[51] **LOC (6) Cl.** ..... **12-12**

FIG. 2 is a rear view thereof;

[52] **U.S. Cl.** ..... **D12/129**

FIG. 3 is a top view thereof;

[58] **Field of Search** ..... D12/128, 129,  
D12/133; 280/30, 42, 642, 643, 644, 647,  
650, 658, 648

FIG. 4 is a right side elevational view thereof;

FIG. 5 is a bottom view.

FIG. 6 is a front elevational view thereof; and,

FIG. 7 is a left side elevational view thereof.

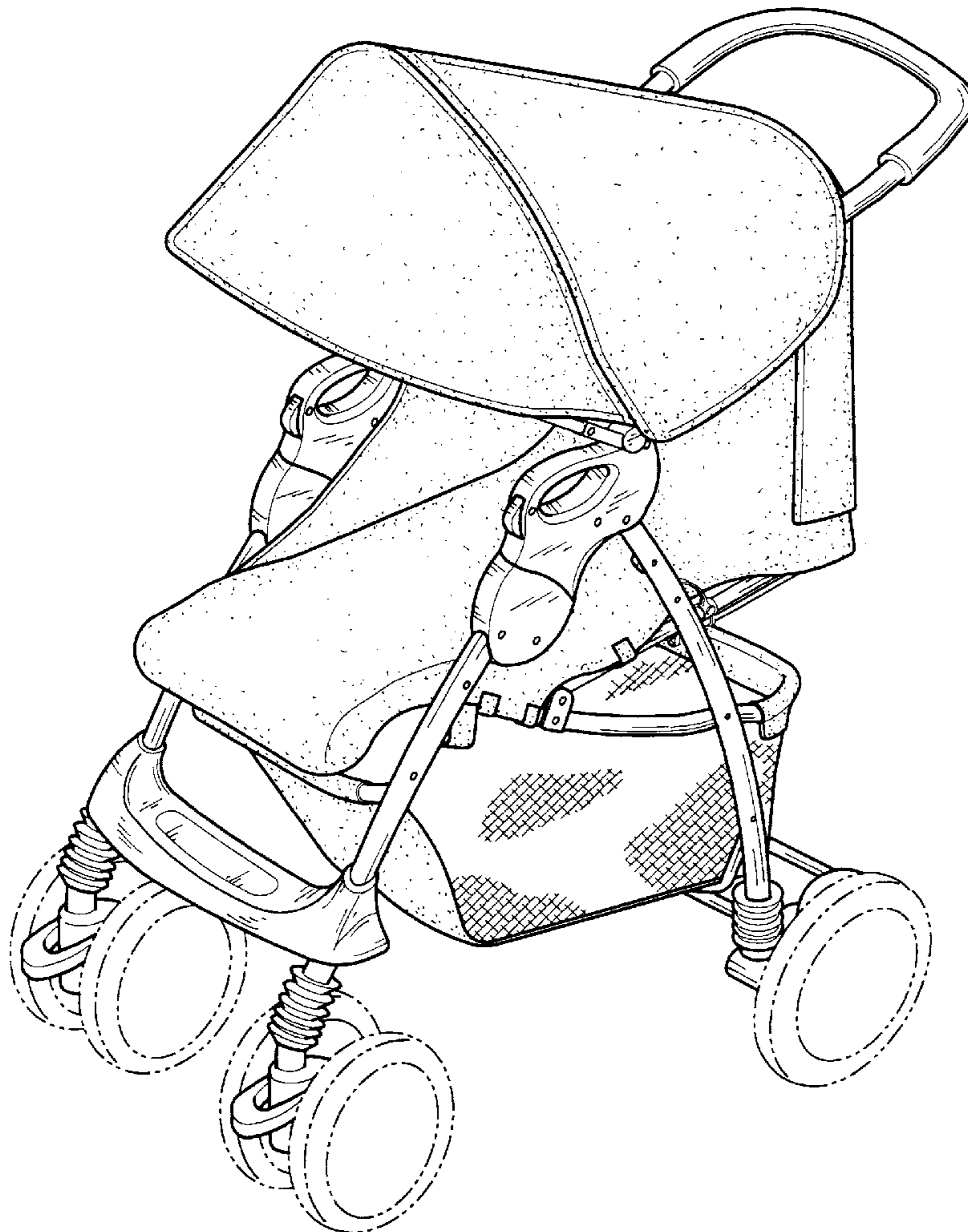
The broken lines of wheels shown in FIGS. 1 through 7 are for illustrative purposes only and form no part of the claimed design.

### [56] **References Cited**

#### U.S. PATENT DOCUMENTS

D. 363,260 10/1995 Huang ..... D12/129  
D. 365,784 1/1996 Wennerstrom et al. .... D12/129  
D. 382,837 8/1997 Haut et al. .... D12/129

**1 Claim, 7 Drawing Sheets**



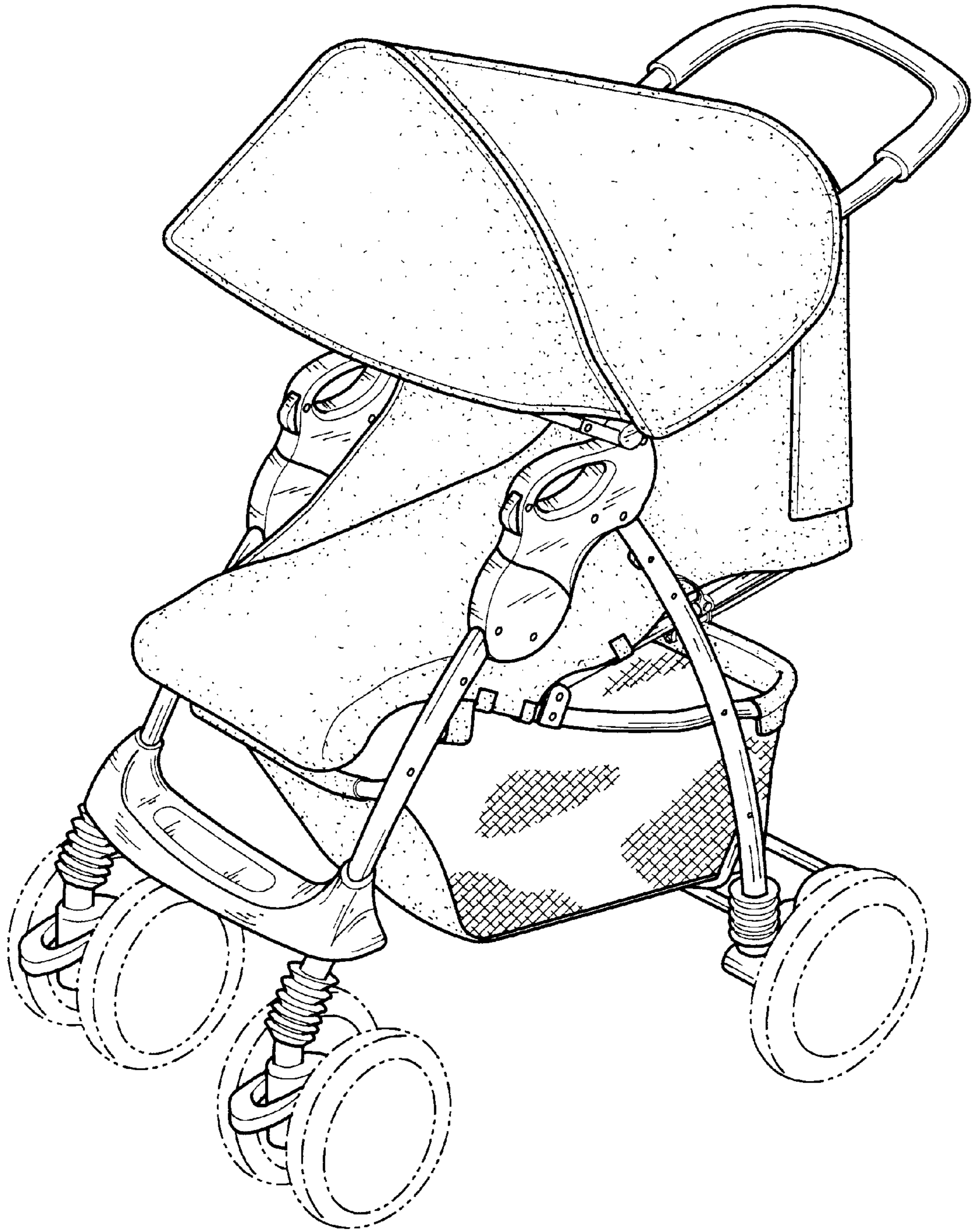


FIG. 1

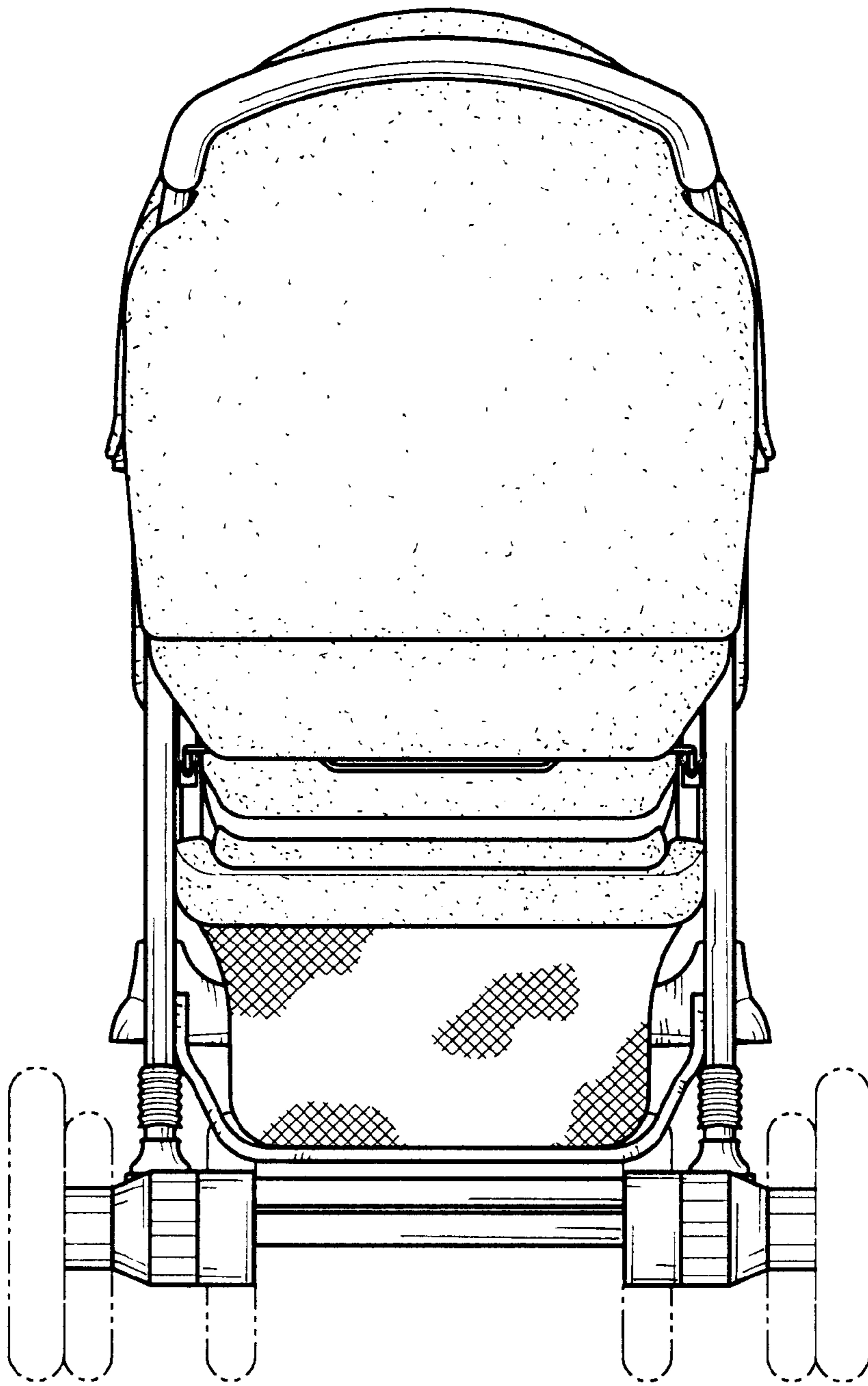


FIG. 2

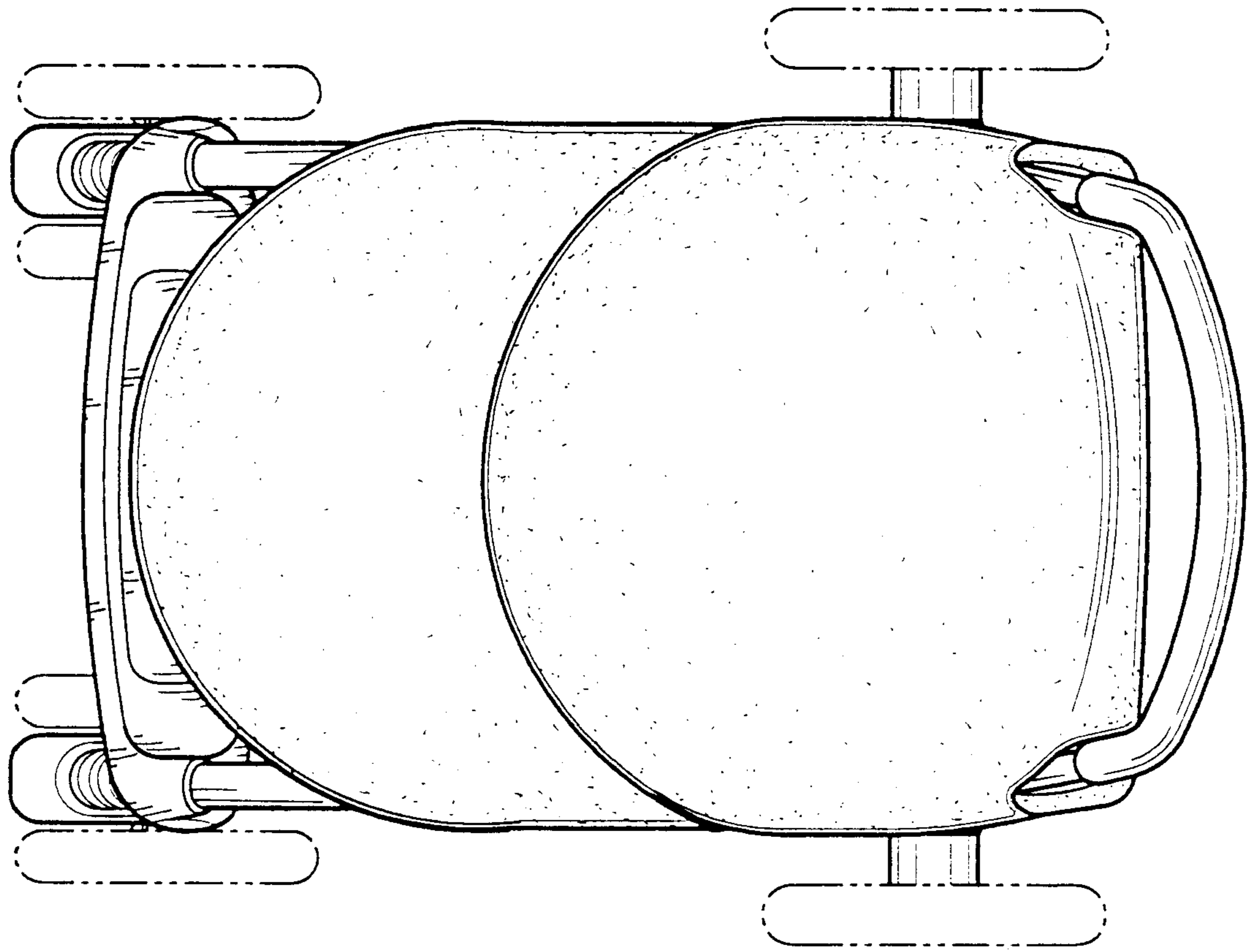


FIG. 3

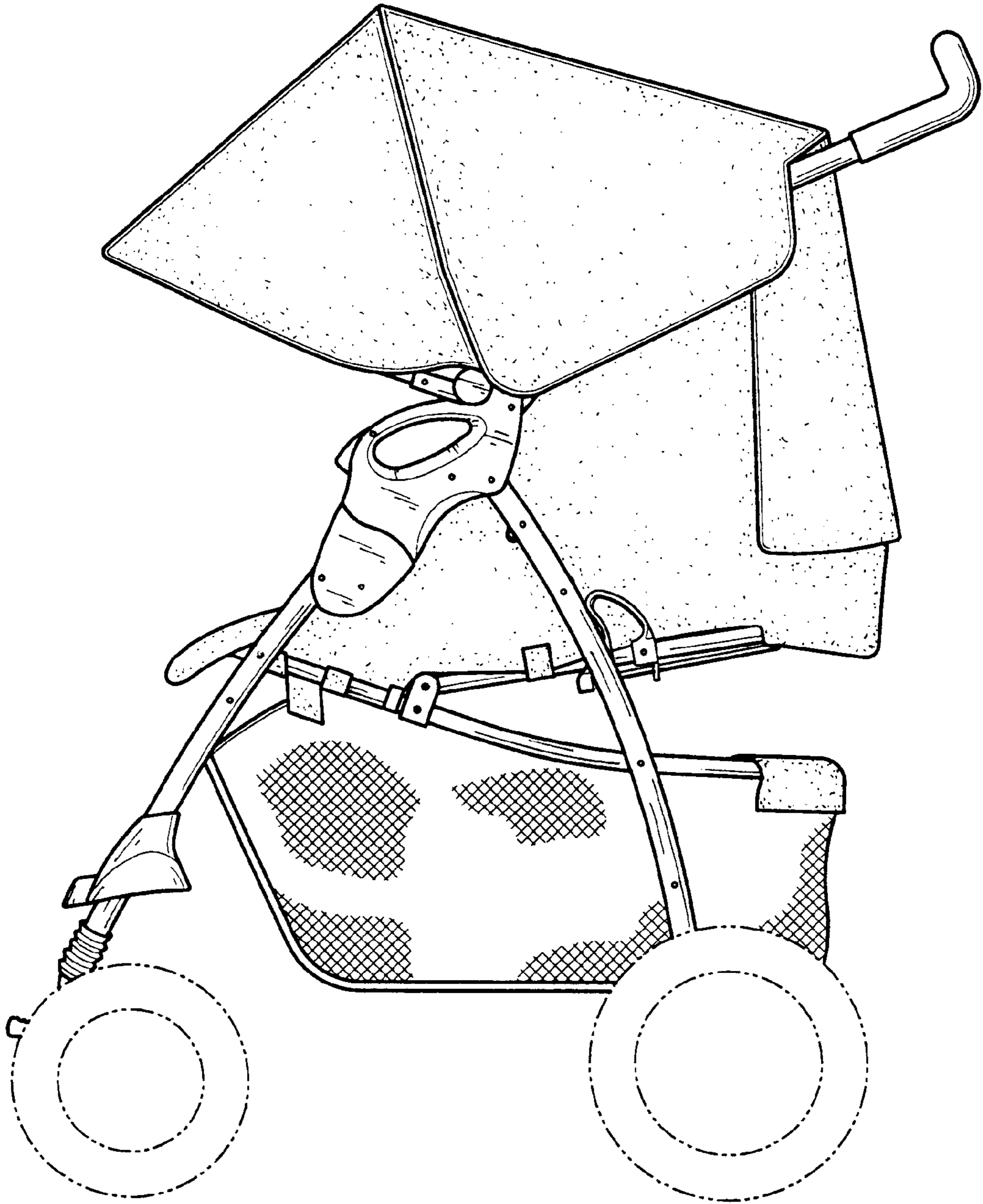


FIG. 4

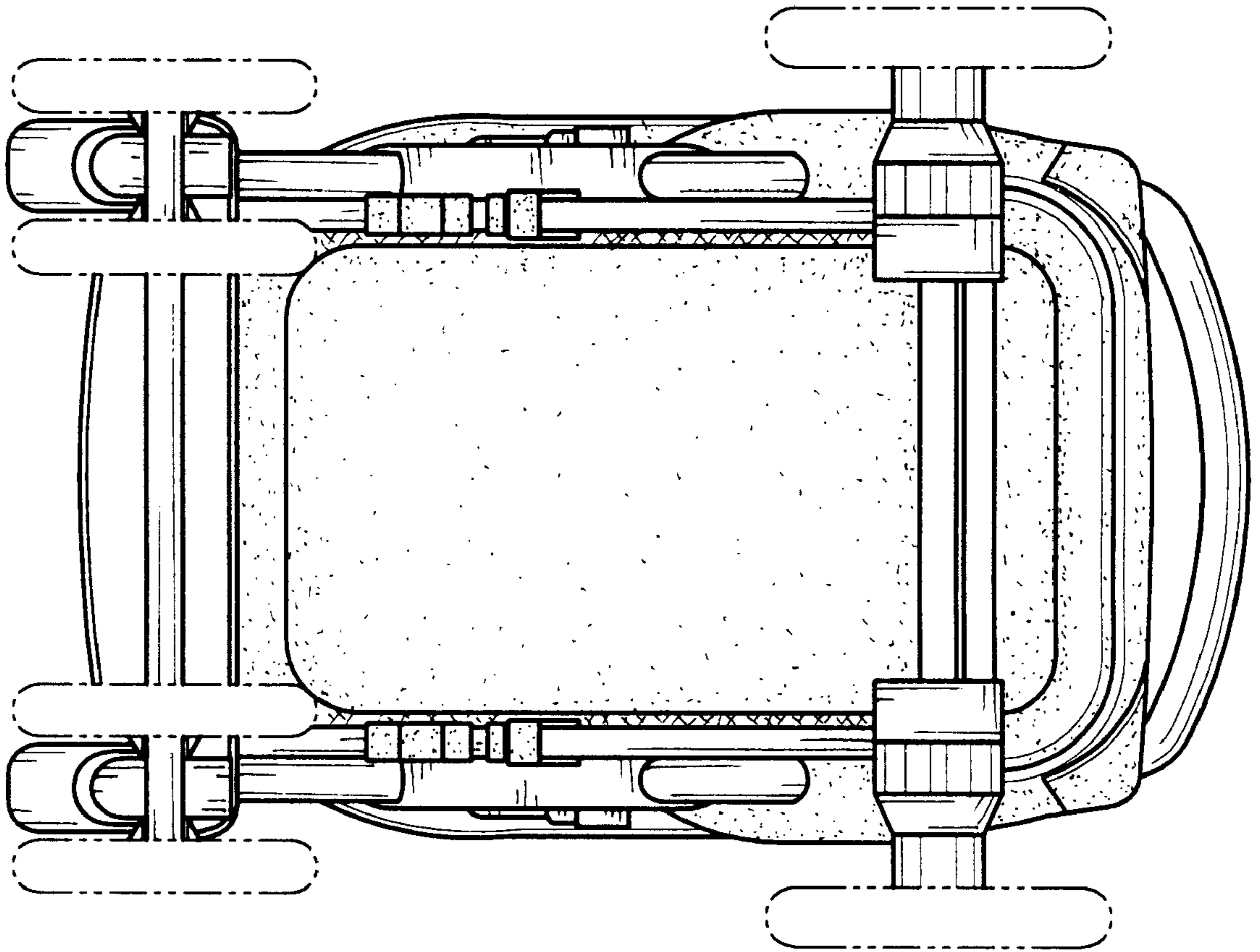


FIG. 5

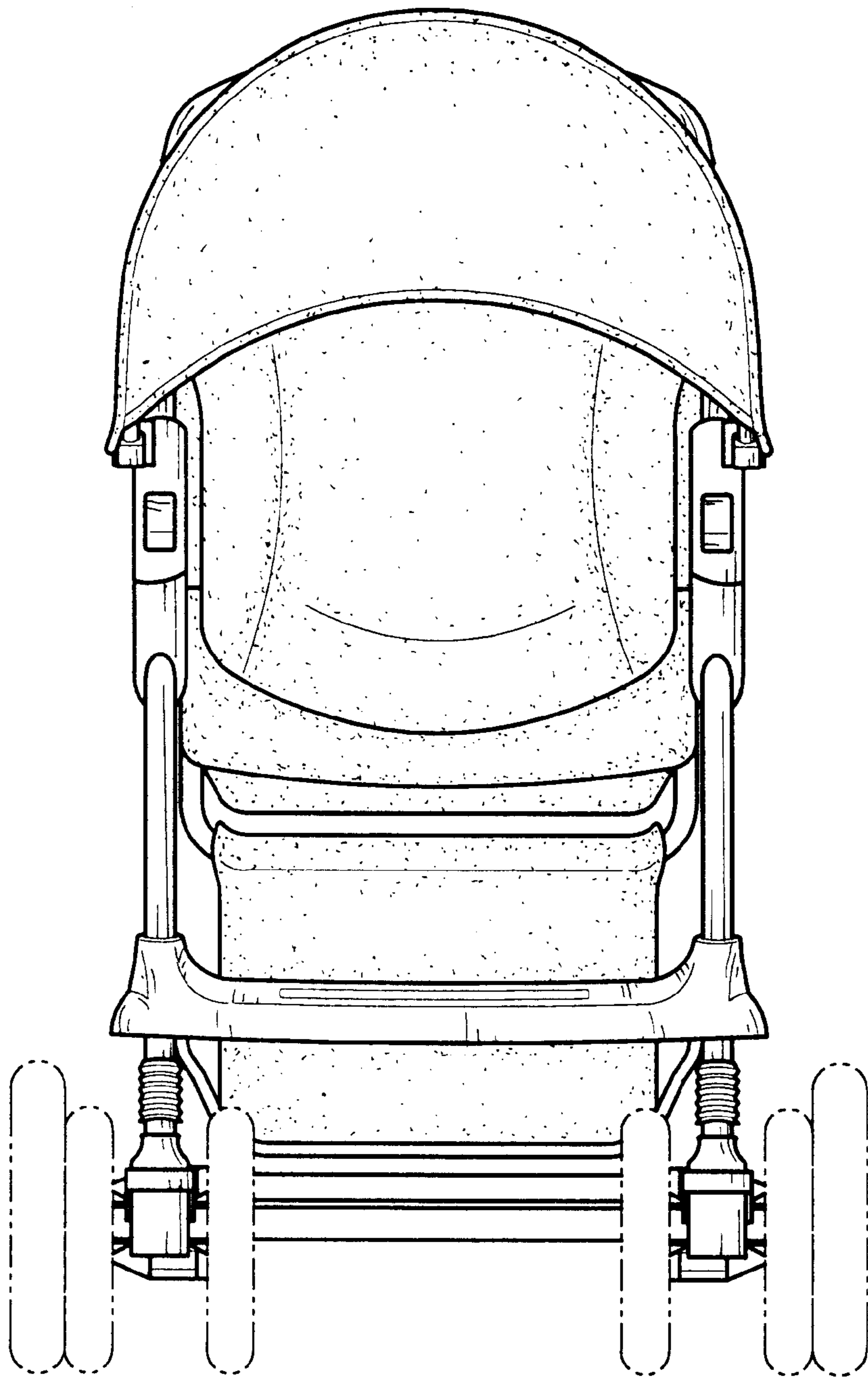


FIG. 6

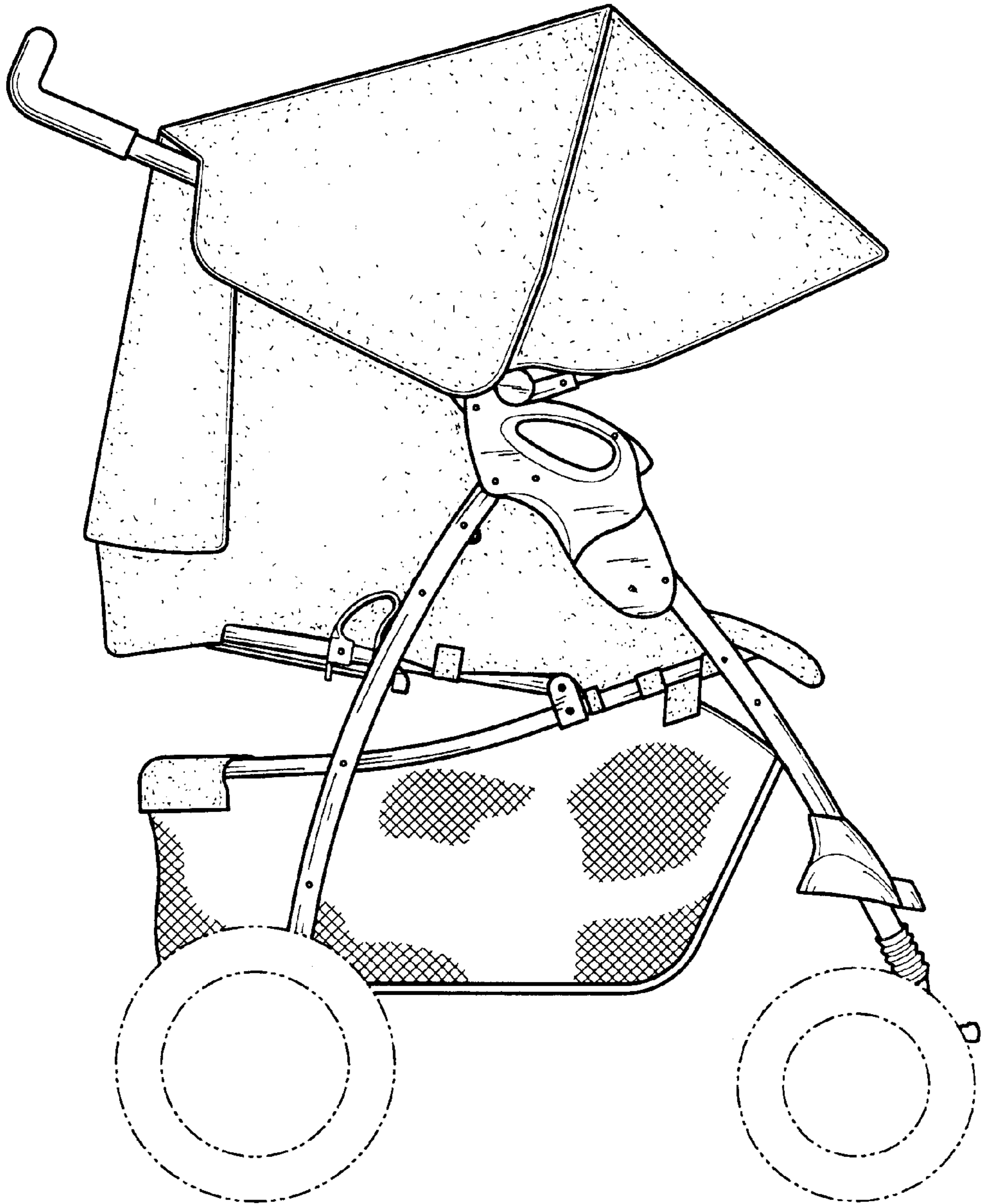


FIG. 7