



US00D422535S

United States Patent [19]
Thompson

[11] **Patent Number: Des. 422,535**

[45] **Date of Patent: ** Apr. 11, 2000**

[54] **BOAT TRAILER BUNK GUIDE**

[76] Inventor: **John E. Thompson**, 12740 Daniels Dr.,
Clearwater, Fla. 33762

[**] Term: **14 Years**

[21] Appl. No.: **29/098,817**

[22] Filed: **Jan. 6, 1999**

[51] **LOC (6) Cl.** **12-11**

[52] **U.S. Cl.** **D12/106**

[58] **Field of Search** D12/106, 162;
280/414.1-414.3; 340/431; 114/61, 123

[56] **References Cited**

U.S. PATENT DOCUMENTS

D. 306,416	3/1990	Godbersen	D12/106
D. 368,653	4/1996	Gallagher	D12/101
D. 369,329	4/1996	Harris et al.	D12/106
5,949,329	9/1999	Woodard	280/414.1

Primary Examiner—Melody N. Brown
Attorney, Agent, or Firm—Larson & Larson, P.A.; James E. Larson

[57] **CLAIM**

The ornamental design for a boat trailer bunk guide, as shown and described.

DESCRIPTION

FIG. 1 is a top perspective view of a boat trailer bunk guide, showing my new design;

FIG. 2 is a bottom perspective view thereof;

FIG. 3 is a front view thereof;

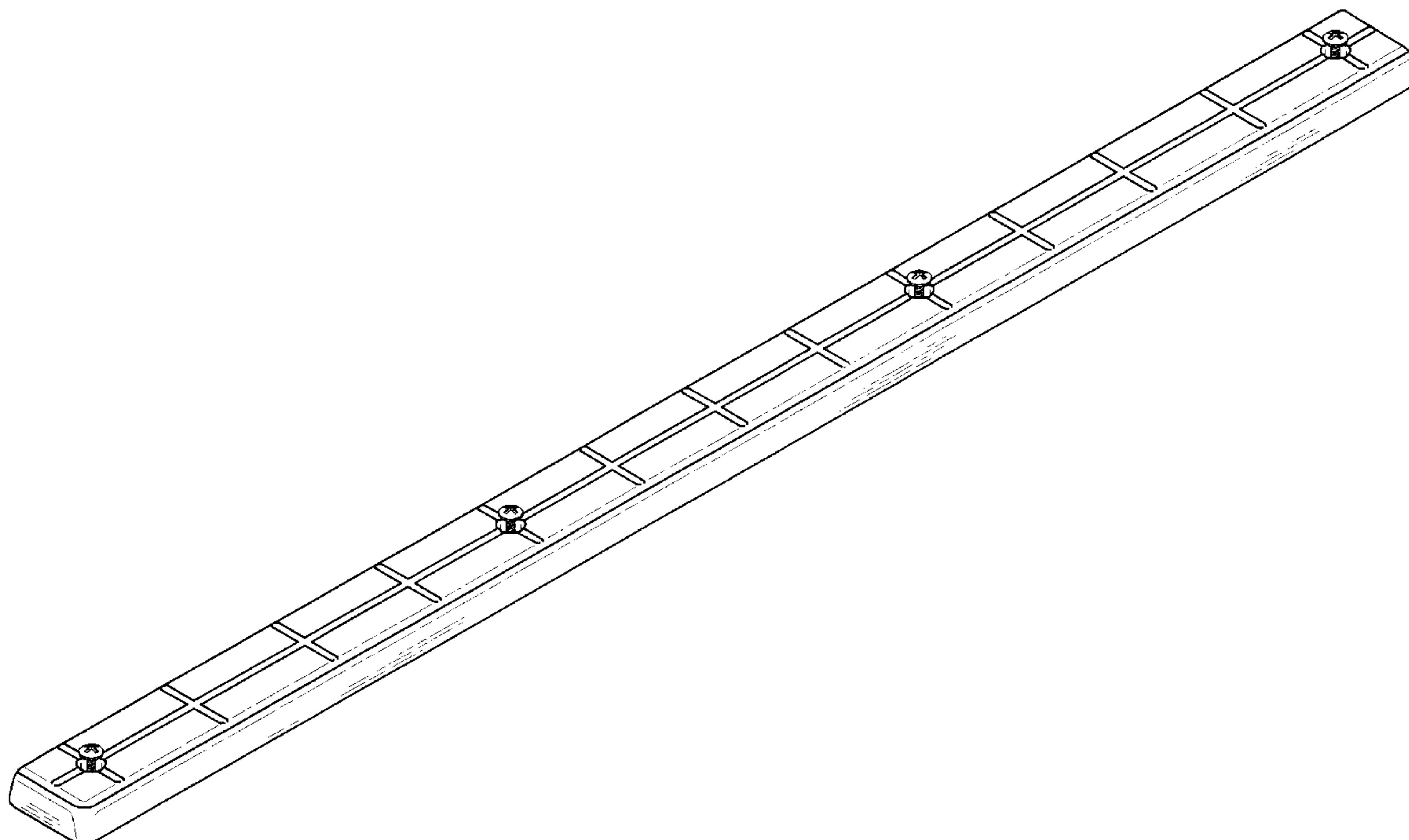
FIG. 4 is a side elevational view thereof;

FIG. 5 is a top plan view thereof; and,

FIG. 6 is a bottom plan view thereof.

The broken line portions of FIGS. 2 and 6 form no part of the claimed design.

1 Claim, 3 Drawing Sheets



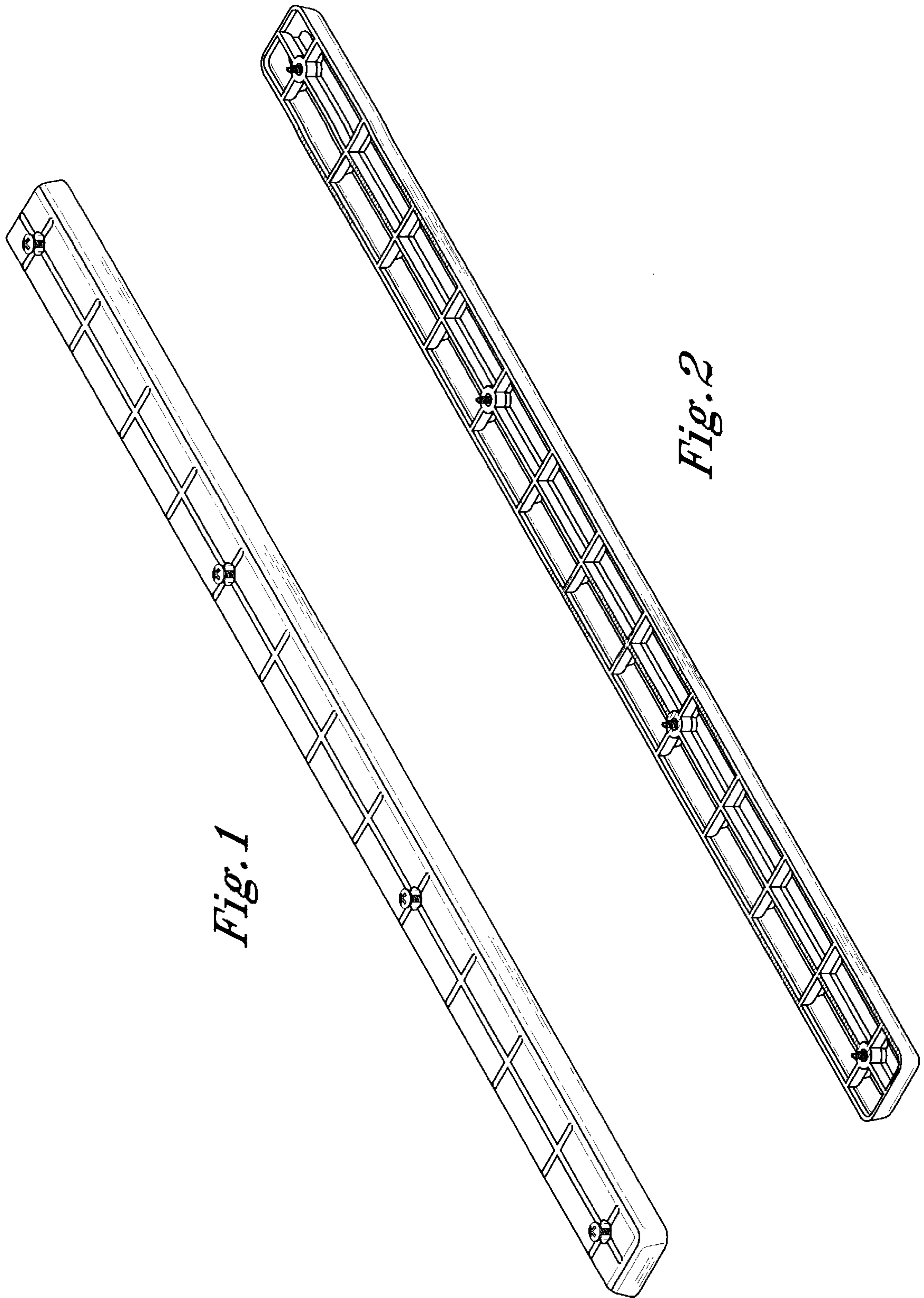


Fig. 1

Fig. 2

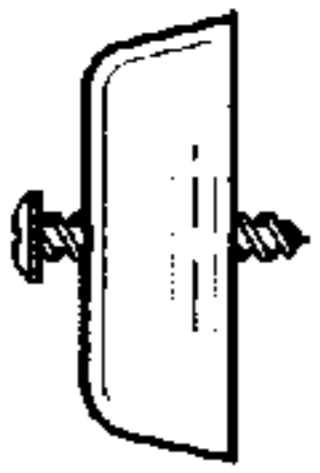


Fig. 3

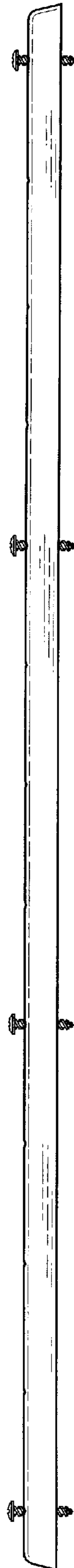


Fig. 4

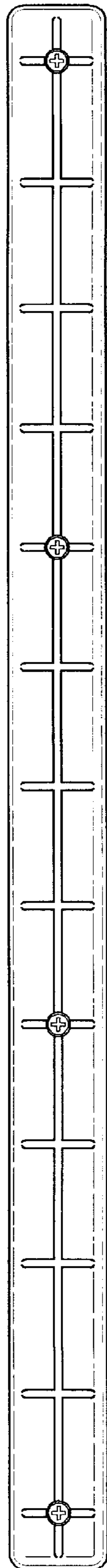


Fig. 5

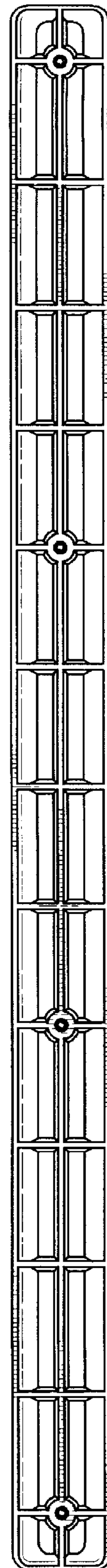


Fig. 6