



US00D422530S

United States Patent [19]

Zebe, Jr.

[11] **Patent Number: Des. 422,530**

[45] **Date of Patent: ** Apr. 11, 2000**

[54] **BELT SECUREMENT DEVICE**

D. 146,923 6/1947 Leming D11/200
D. 371,525 7/1996 Ryan et al. D11/231

[76] Inventor: **Charles W. Zebe, Jr.**, 201 Glen Brook Pl., Hightstown, N.J. 08520

Primary Examiner—Ralf Seifert
Attorney, Agent, or Firm—Sperry, Zoda & Kane

[**] Term: **14 Years**

[57] **CLAIM**

[21] Appl. No.: **29/110,620**

The ornamental design for a belt securement device, as shown.

[22] Filed: **Sep. 3, 1999**

[51] **LOC (6) Cl.** **02-07**

DESCRIPTION

[52] **U.S. Cl.** **D11/231; D11/200**

FIG. 1 is a front perspective illustration of the belt securement device embodying my new design;
FIG. 2 is a left side plan view;
FIG. 3 is a front plan view;
FIG. 4 is a right side plan view; and,
FIG. 5 is a top plan view.

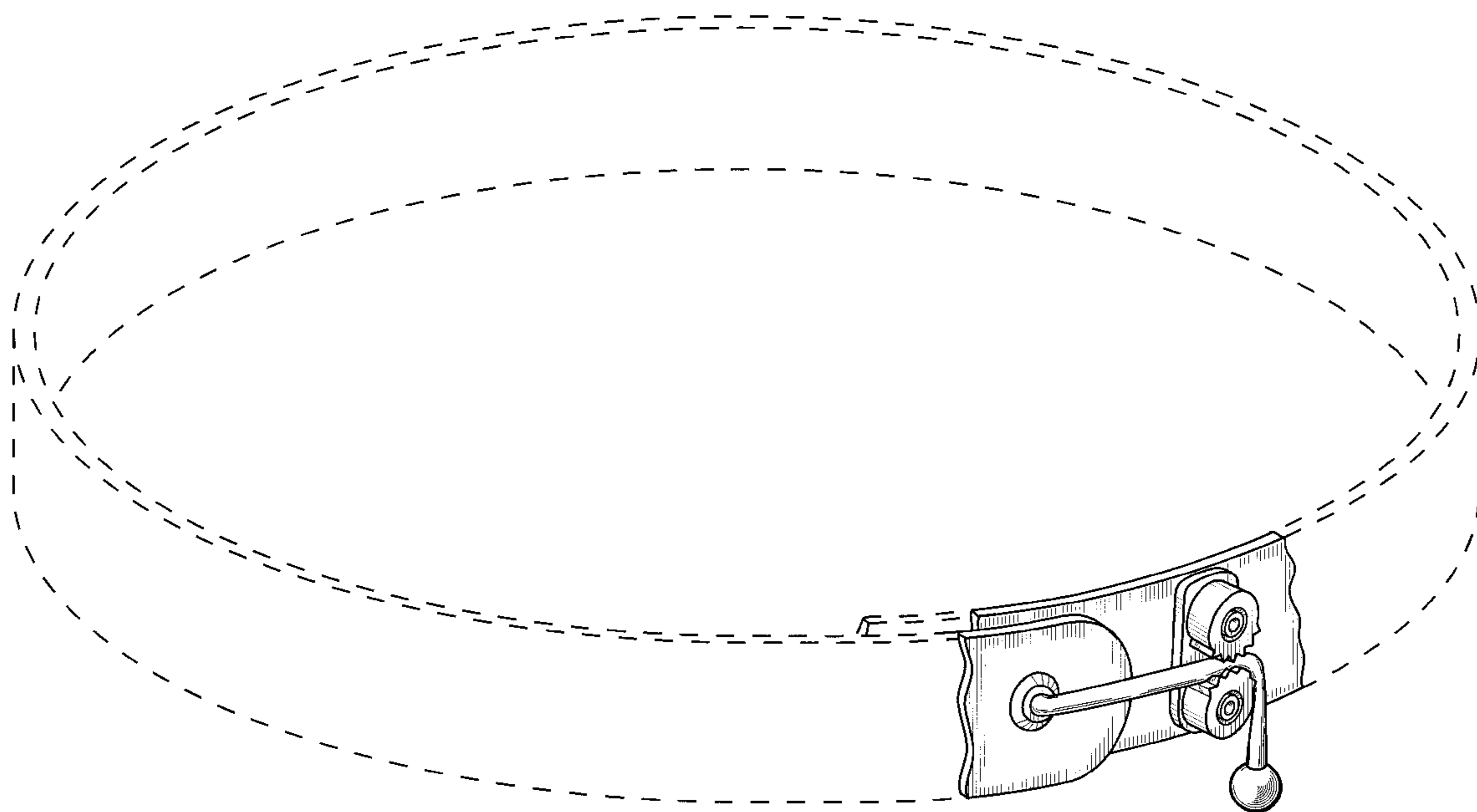
[58] **Field of Search** D11/200, 230,
D11/231–232, 234–237; D8/394; 24/616,
323

[56] **References Cited**

U.S. PATENT DOCUMENTS

D. 84,311 6/1931 Whitehouse D11/200

1 Claim, 2 Drawing Sheets



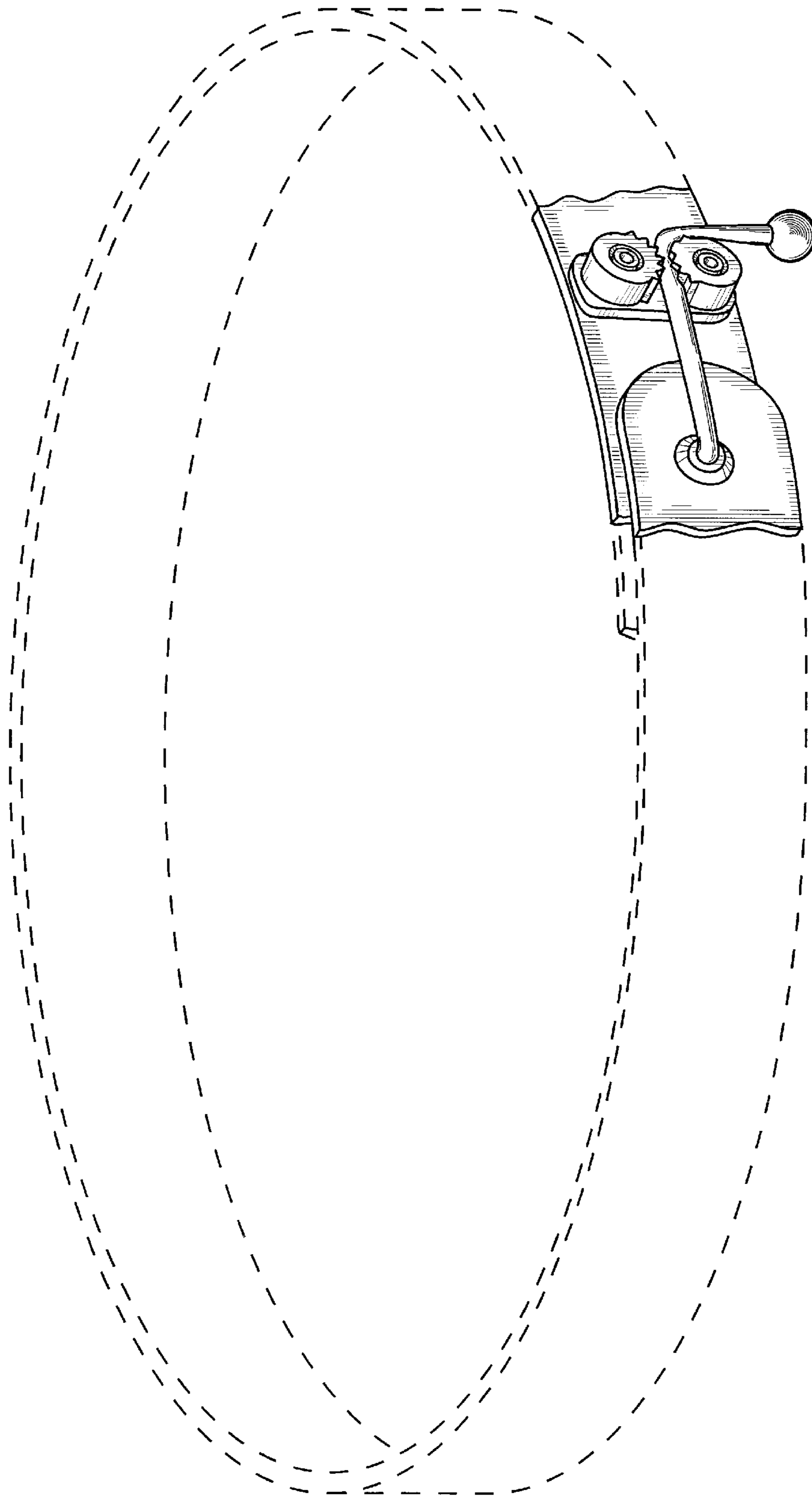


FIG. 1

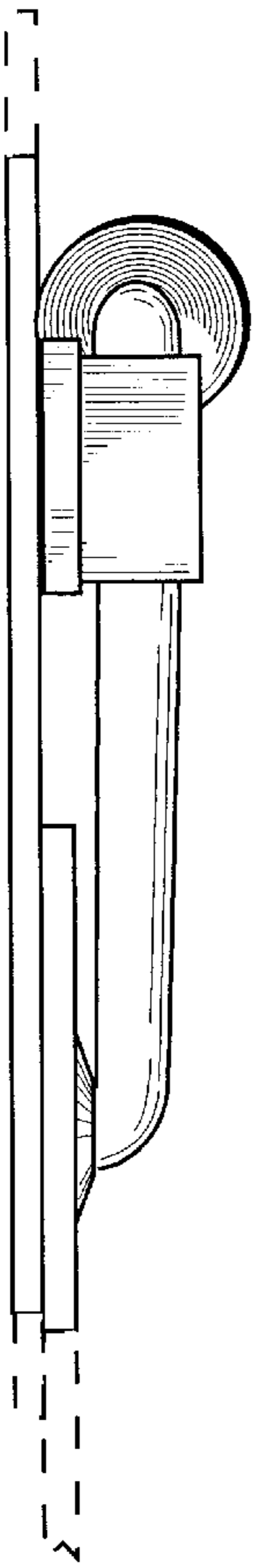


FIG. 5

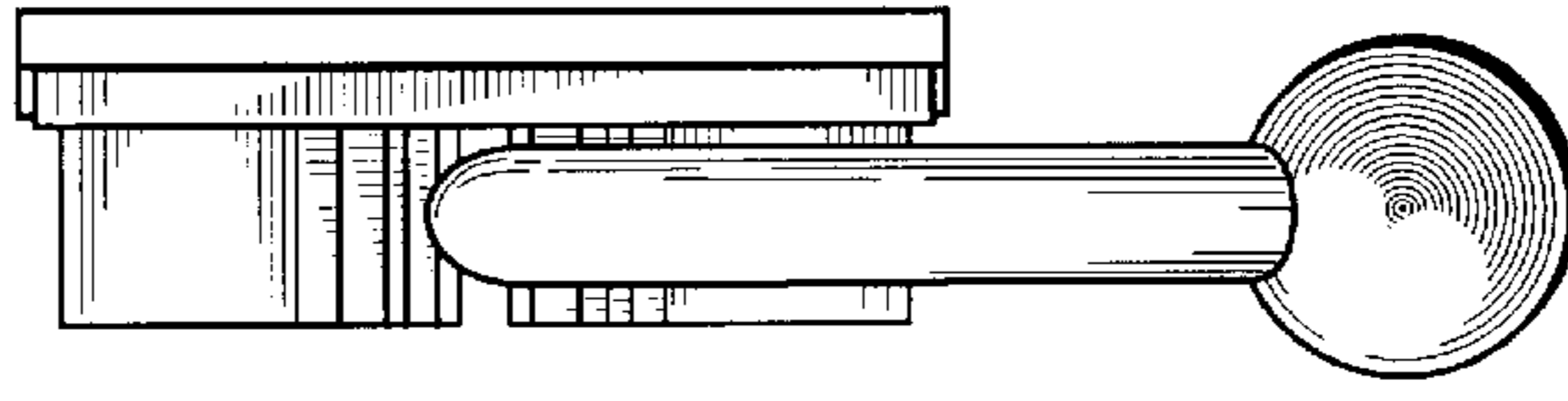


FIG. 4

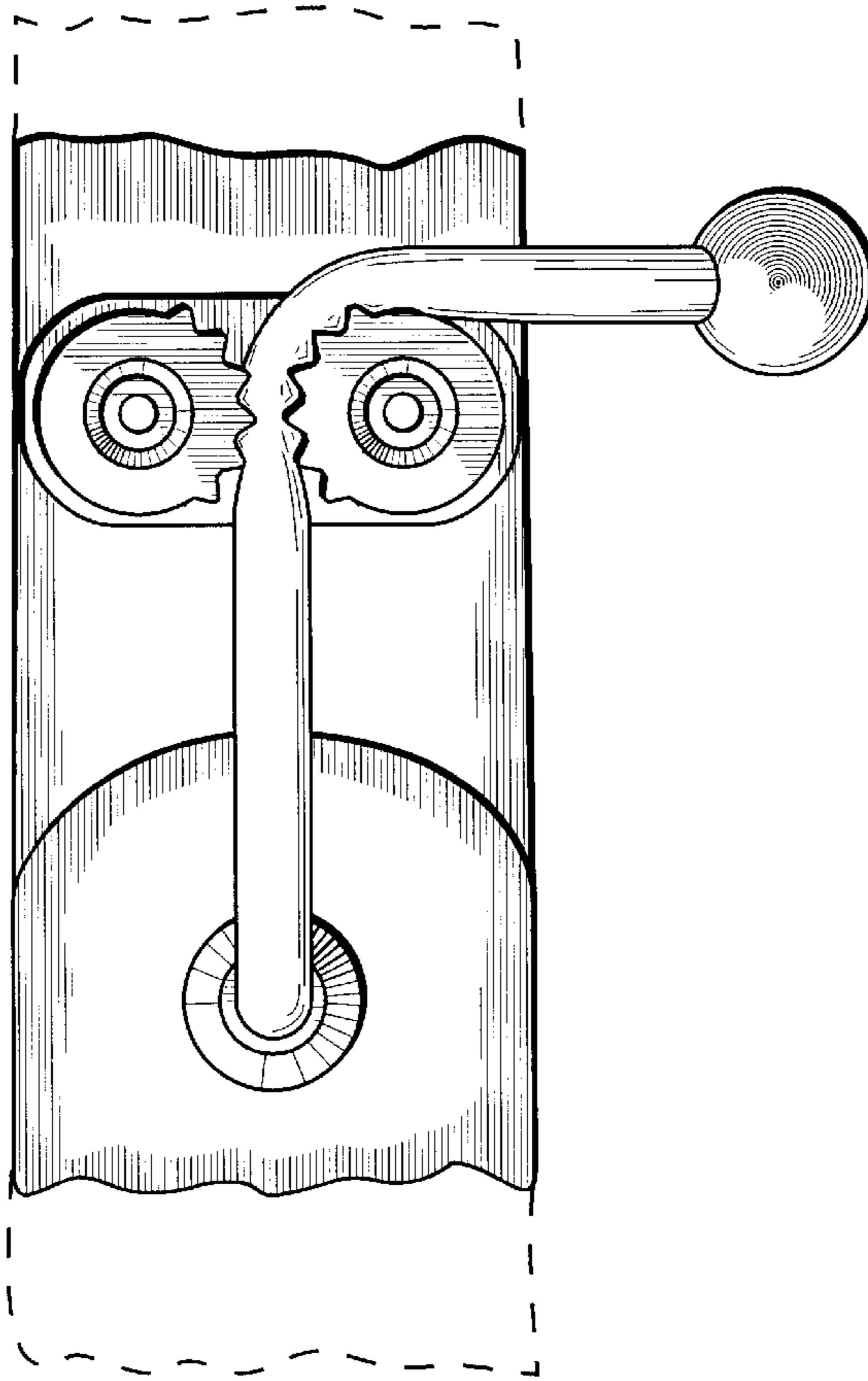


FIG. 3

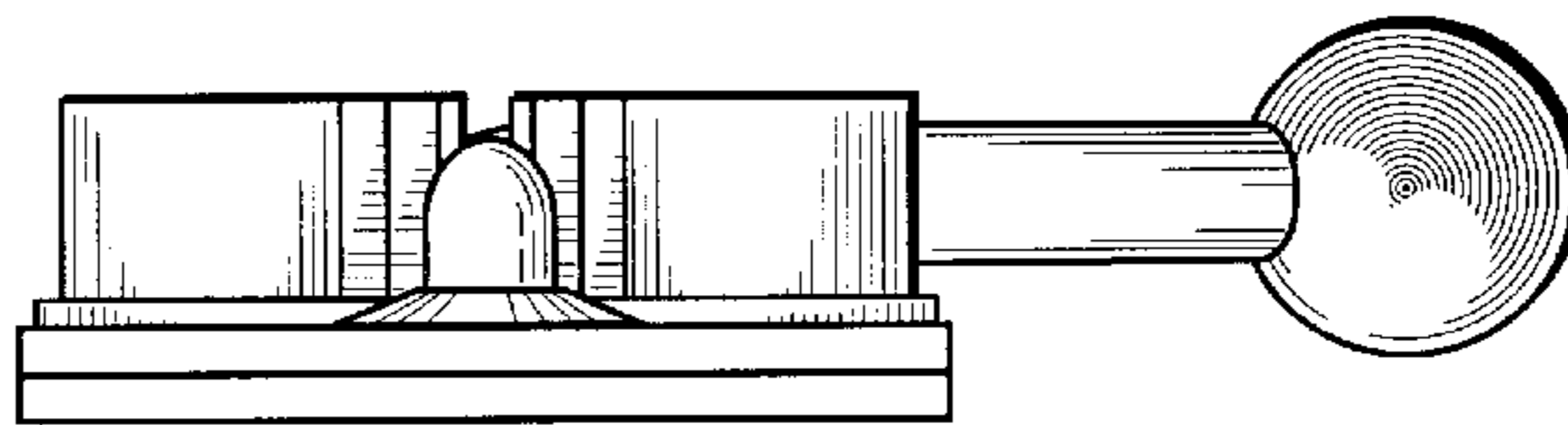


FIG. 2