



US00D422528S

United States Patent [19] Charlebois

[11] **Patent Number: Des. 422,528**

[45] **Date of Patent: ** Apr. 11, 2000**

[54] **LIGHT ORNAMENT**

3,022,967 2/1962 Romeo D21/442
5,906,430 5/1999 Bayer 362/806

[76] Inventor: **Marcel Charlebois**, 207 Melita Avenue,
Toronto, Ontario, Canada, M6G 2A1

Primary Examiner—Susan J. Lucas

[**] Term: **14 Years**

[57] CLAIM

[21] Appl. No.: **29/094,605**

I claim the ornamental design for a light ornament, as shown and described.

[22] Filed: **Oct. 6, 1998**

DESCRIPTION

[30] Foreign Application Priority Data

Apr. 8, 1998 [CA] Canada 1998-0882

FIG. 1 is a perspective view of a light ornament showing my new design;

[51] **LOC (6) Cl.** **11-05**

FIG. 2 is a top view of the light ornament of FIG. 1;

[52] **U.S. Cl.** **D11/117**

FIG. 3 is a left side view of the light ornament of FIG. 1;

[58] **Field of Search** D26/24, 118, 113,
D26/138; 362/806, 255; D11/120, 121,
117, 124; D21/443, 444, 442

FIG. 4 is a front view of the light ornament of FIG. 1;

FIG. 5 is a rear view of the light ornament of FIG. 1;

FIG. 6 is a right side view of the light ornament of FIG. 1; and,

FIG. 7 is a bottom view of the light ornament of FIG. 1.

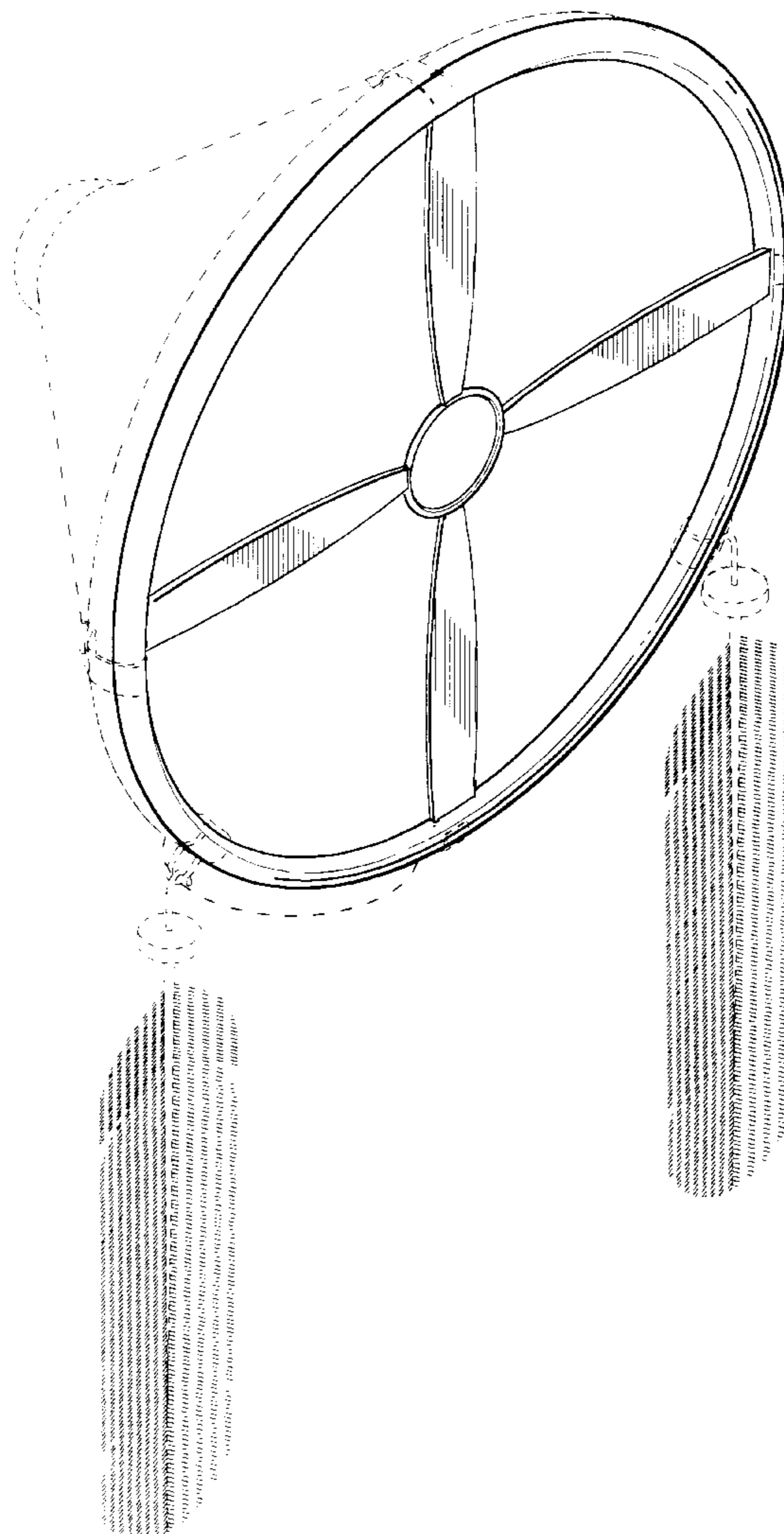
[56] References Cited

The broken lines showing a rear cover and feathers are for illustrative purposes only and form no part of the claimed design.

U.S. PATENT DOCUMENTS

D. 80,542 2/1930 Shoemaker D11/120
D. 193,245 7/1962 Knox, Jr. D21/444

1 Claim, 3 Drawing Sheets



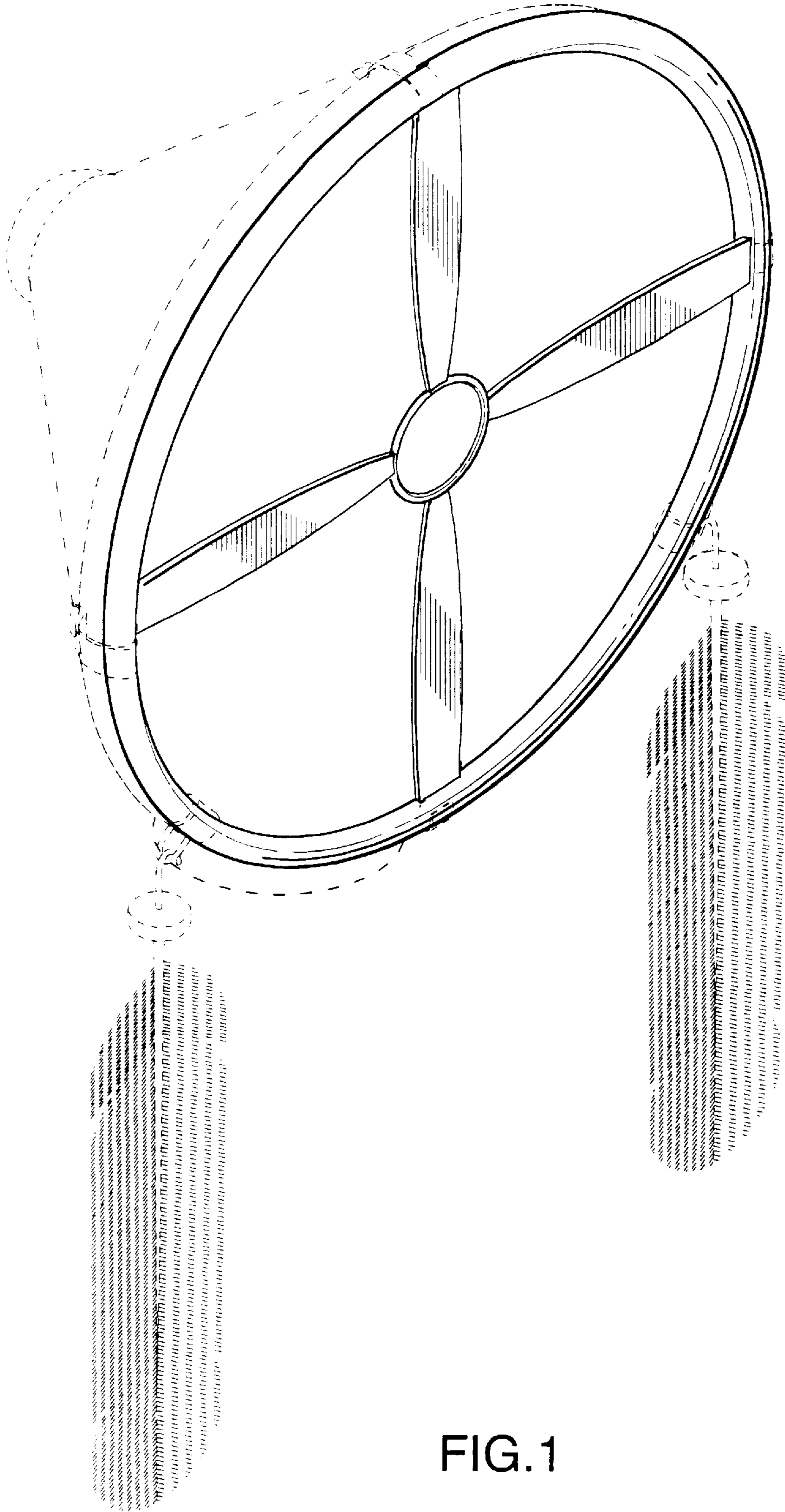


FIG. 1

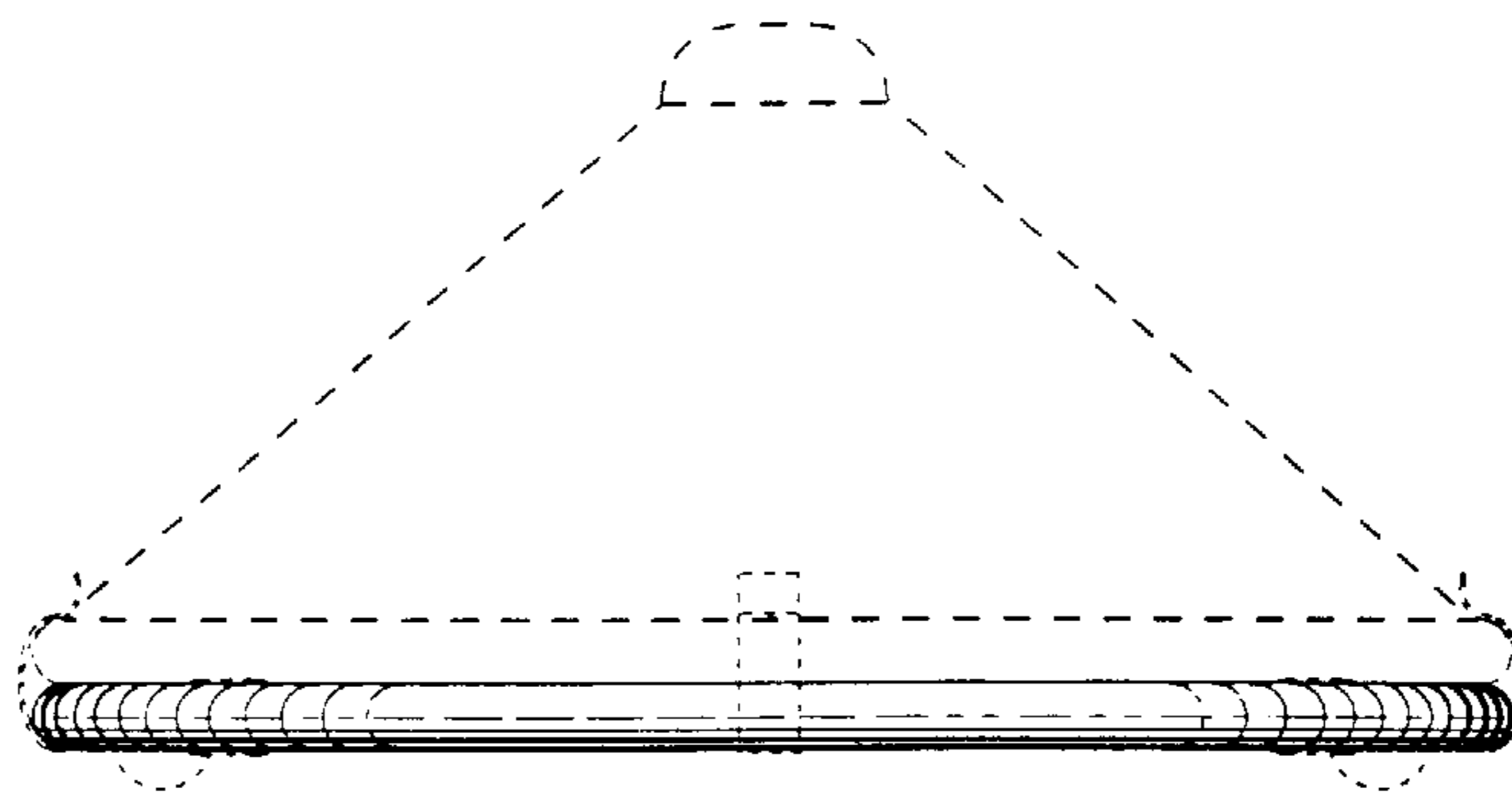


FIG. 2

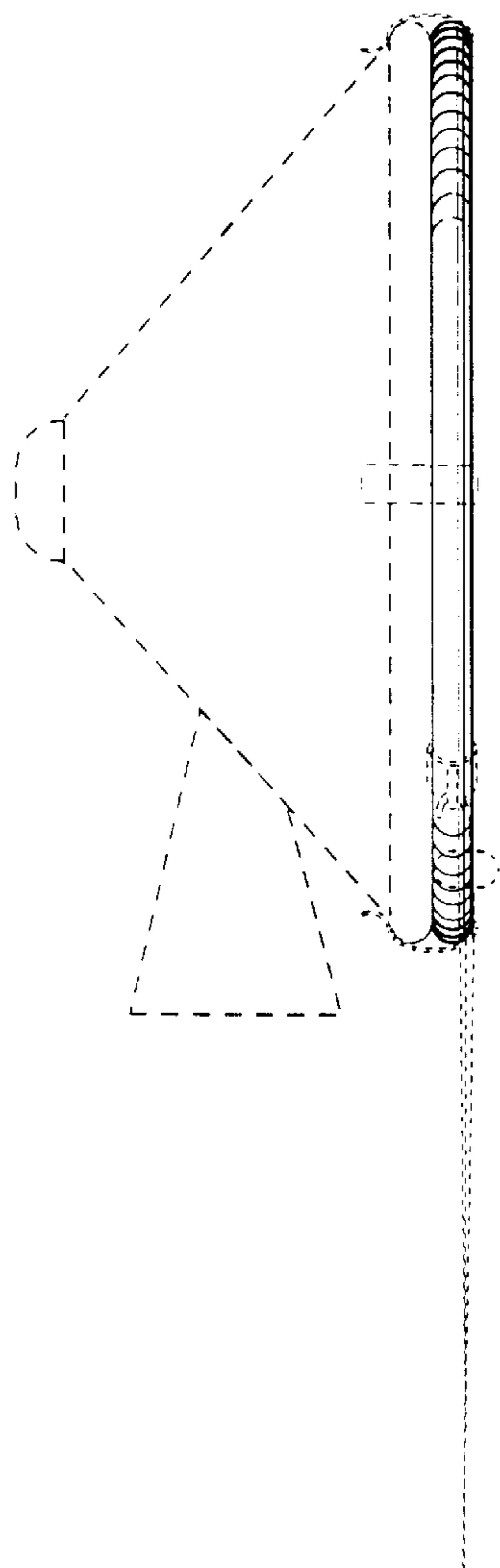


FIG. 3

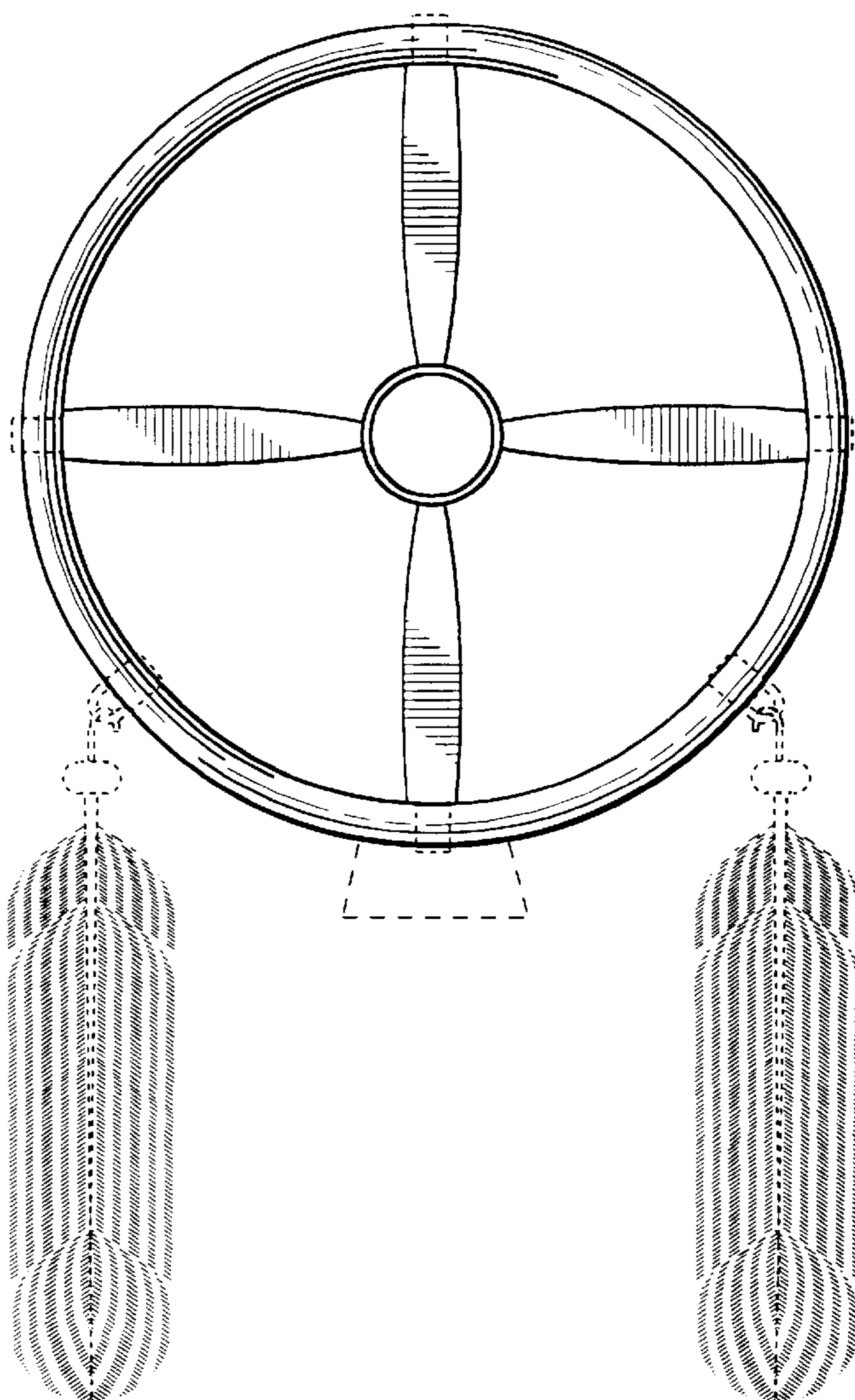


FIG. 4

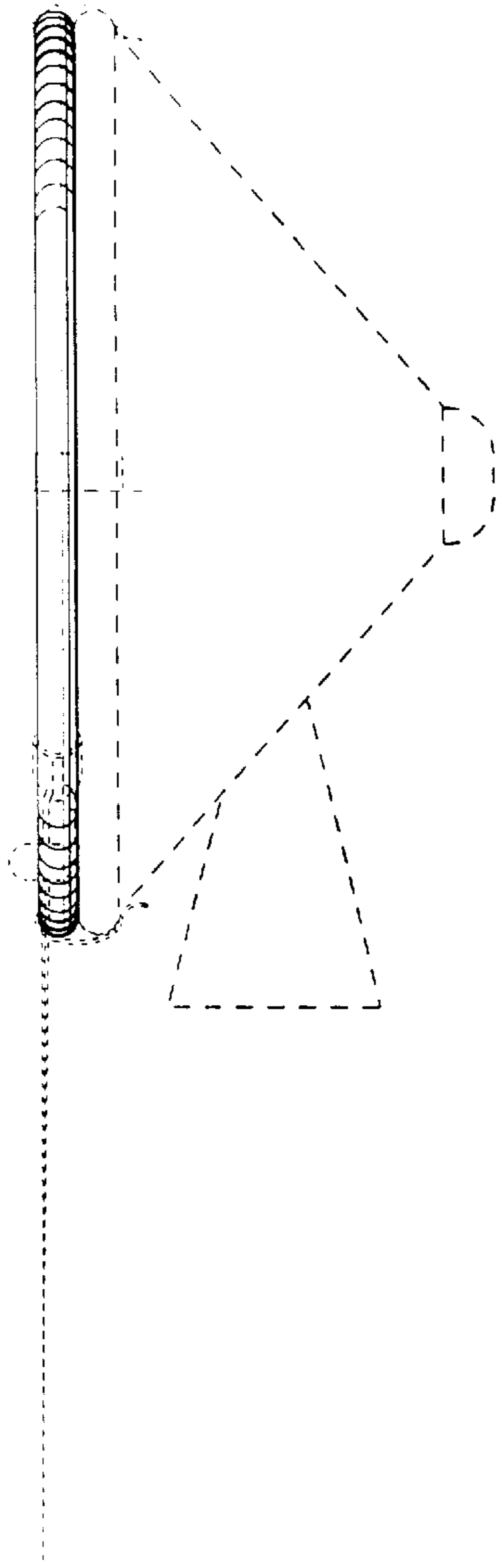


FIG. 6

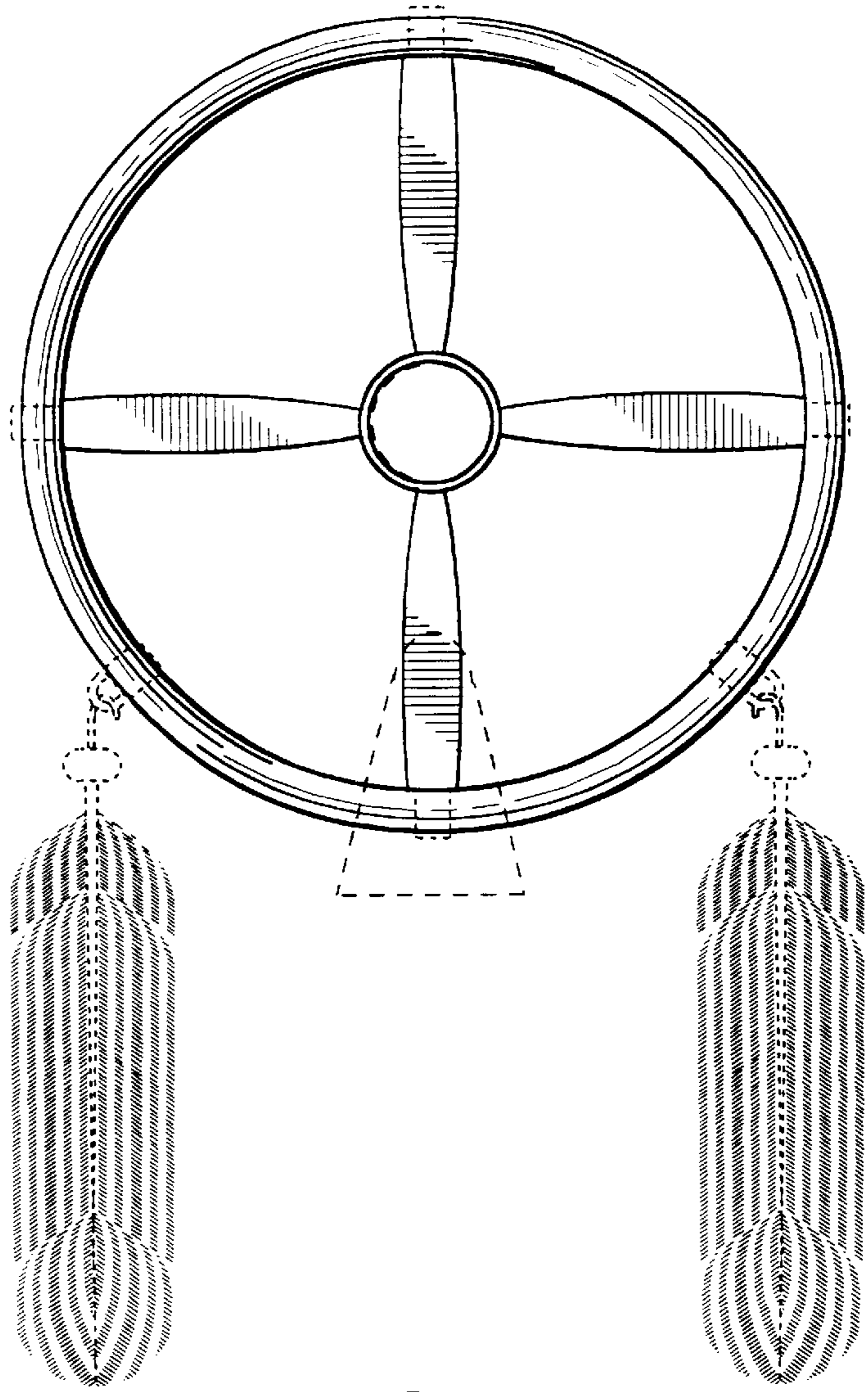


FIG. 5

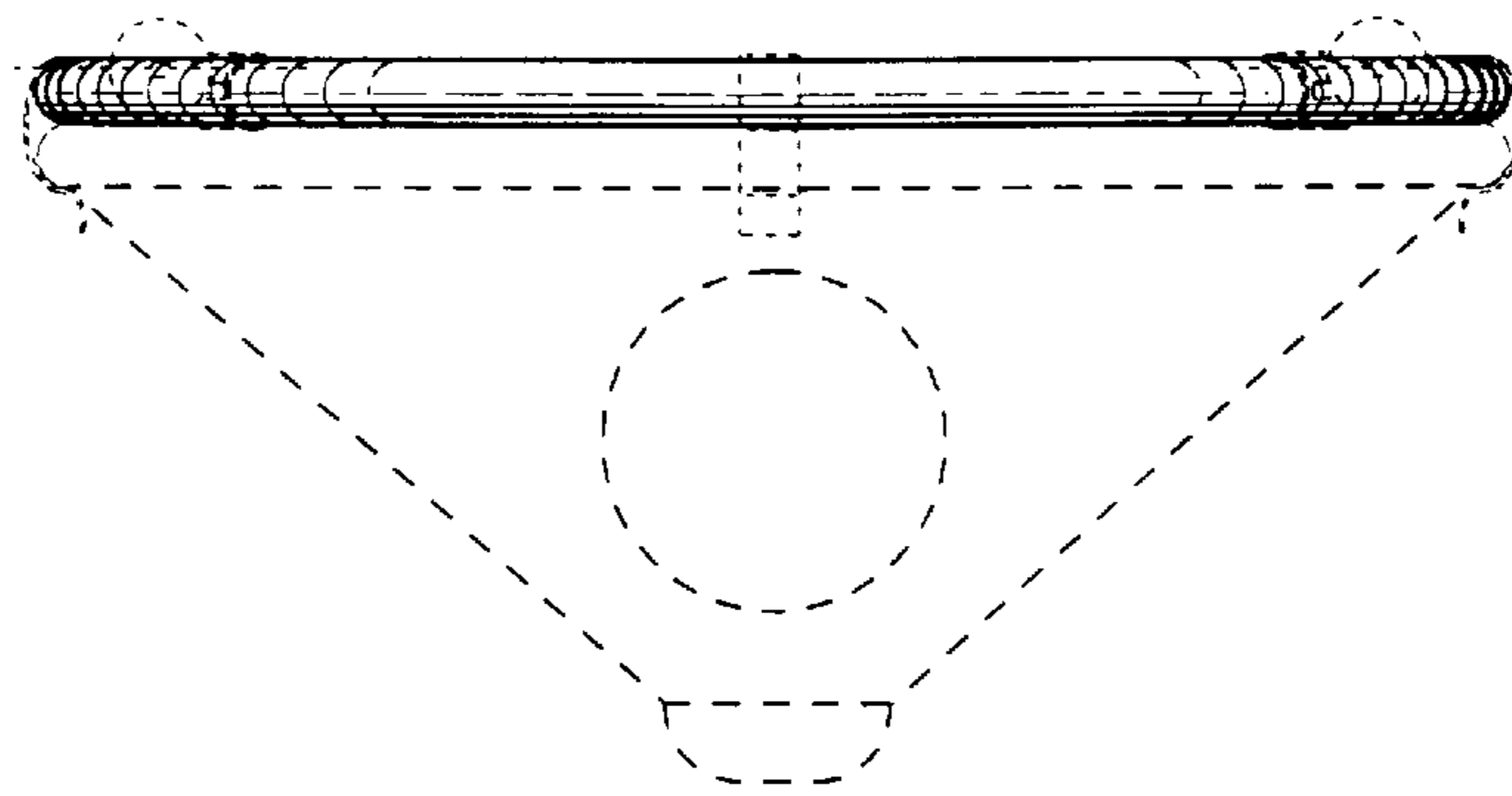


FIG. 7