



US00D422525S

**United States Patent** [19]  
**Mongeau**

[11] **Patent Number: Des. 422,525**

[45] **Date of Patent: \*\* \*Apr. 11, 2000**

[54] **EXTENDED VISUAL ALARM SIGNALING  
DEVICE GUARD**

[75] Inventor: **James A. Mongeau**, Marlboro, Mass.

[73] Assignee: **Space Age Electronics, Inc.**, Marlboro,  
Mass.

[\*] Notice: This patent is subject to a terminal dis-  
claimer.

[\*\*] Term: **14 Years**

[21] Appl. No.: **29/057,096**

[22] Filed: **Jul. 16, 1996**

[51] **LOC (6) Cl.** ..... **10-06**

[52] **U.S. Cl.** ..... **D10/121**

[58] **Field of Search** ..... D10/104, 106,  
D10/114, 116, 121; 340/551, 552, 555,  
556, 541, 545, 547, 561, 565, 566, 567

[56] **References Cited**

**U.S. PATENT DOCUMENTS**

D. 297,318	8/1988	Taylor	.....	D10/106
D. 328,875	8/1992	Perkins	.....	D10/106
D. 379,070	5/1997	Witzig	.....	D10/106

*Primary Examiner*—Marcus A. Jackson  
*Attorney, Agent, or Firm*—G. D. Clapp, Esq.

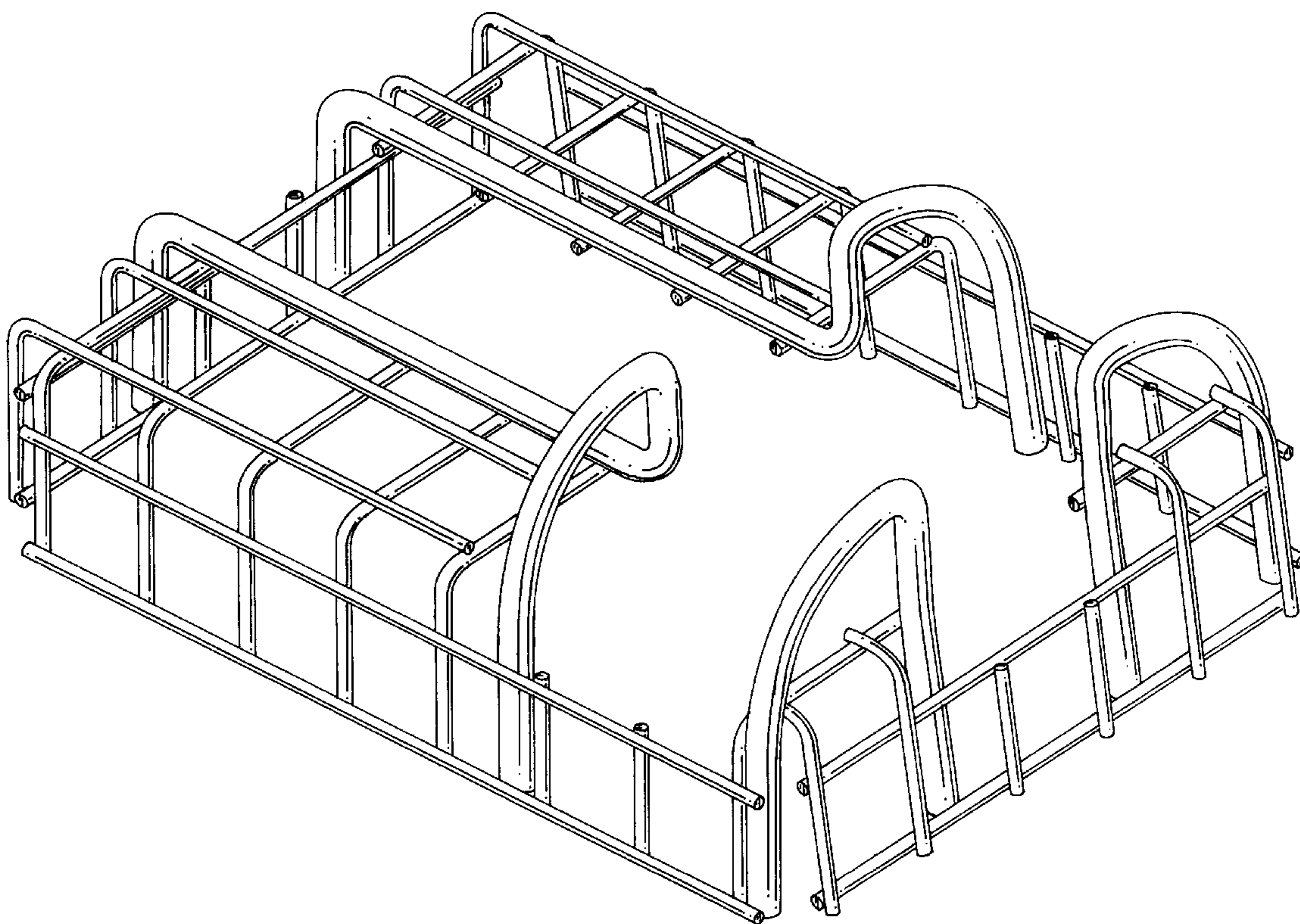
[57] **CLAIM**

The ornamental design for an extended visual alarm signal-  
ing device guard, as shown and described.

**DESCRIPTION**

FIG. 1 is a lower right perspective view showing my new  
design;  
FIG. 2 is a front view thereof;  
FIG. 3 is a right side view thereof; and,  
FIG. 4 is a top view thereof.

**1 Claim, 3 Drawing Sheets**



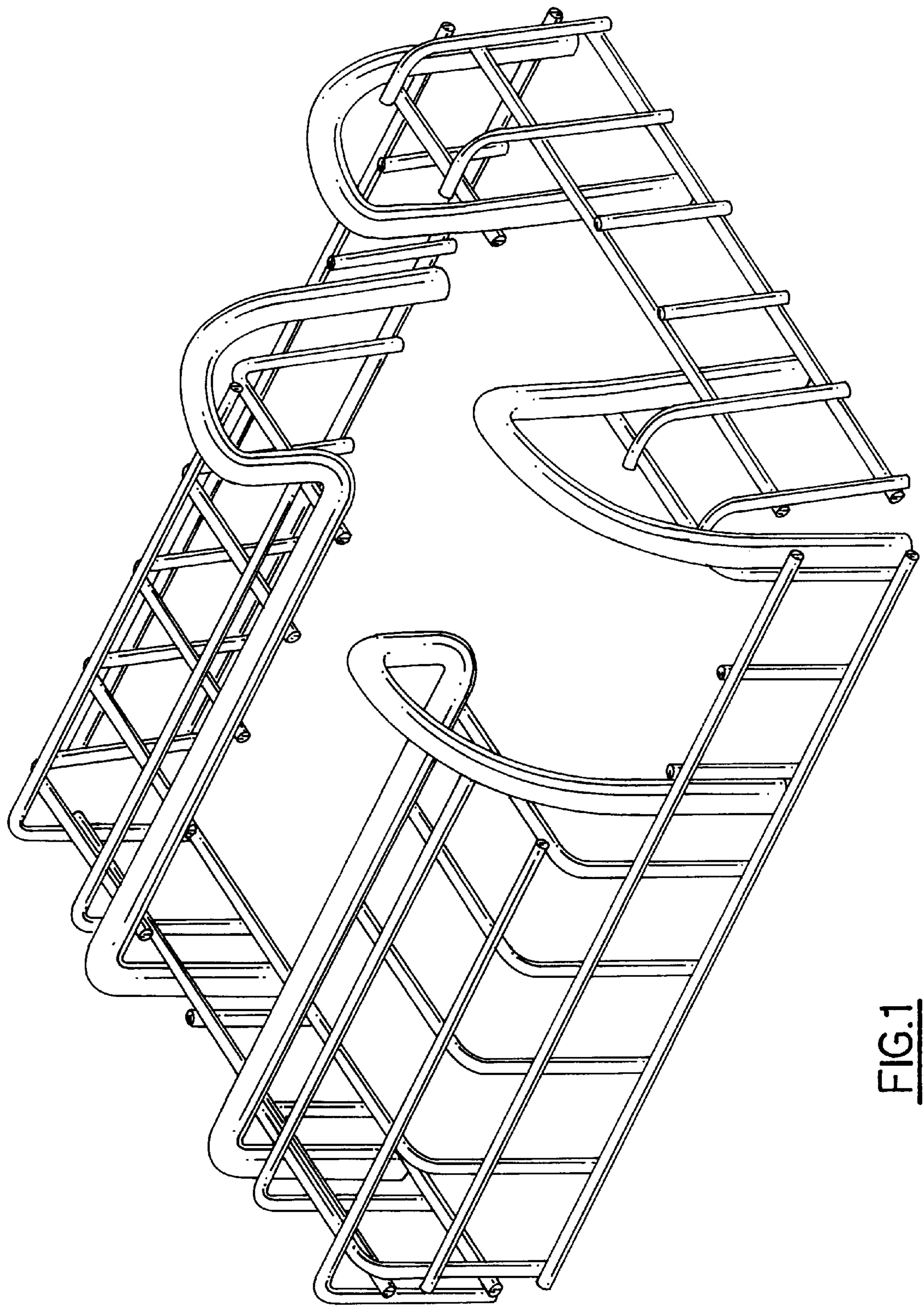


FIG.1

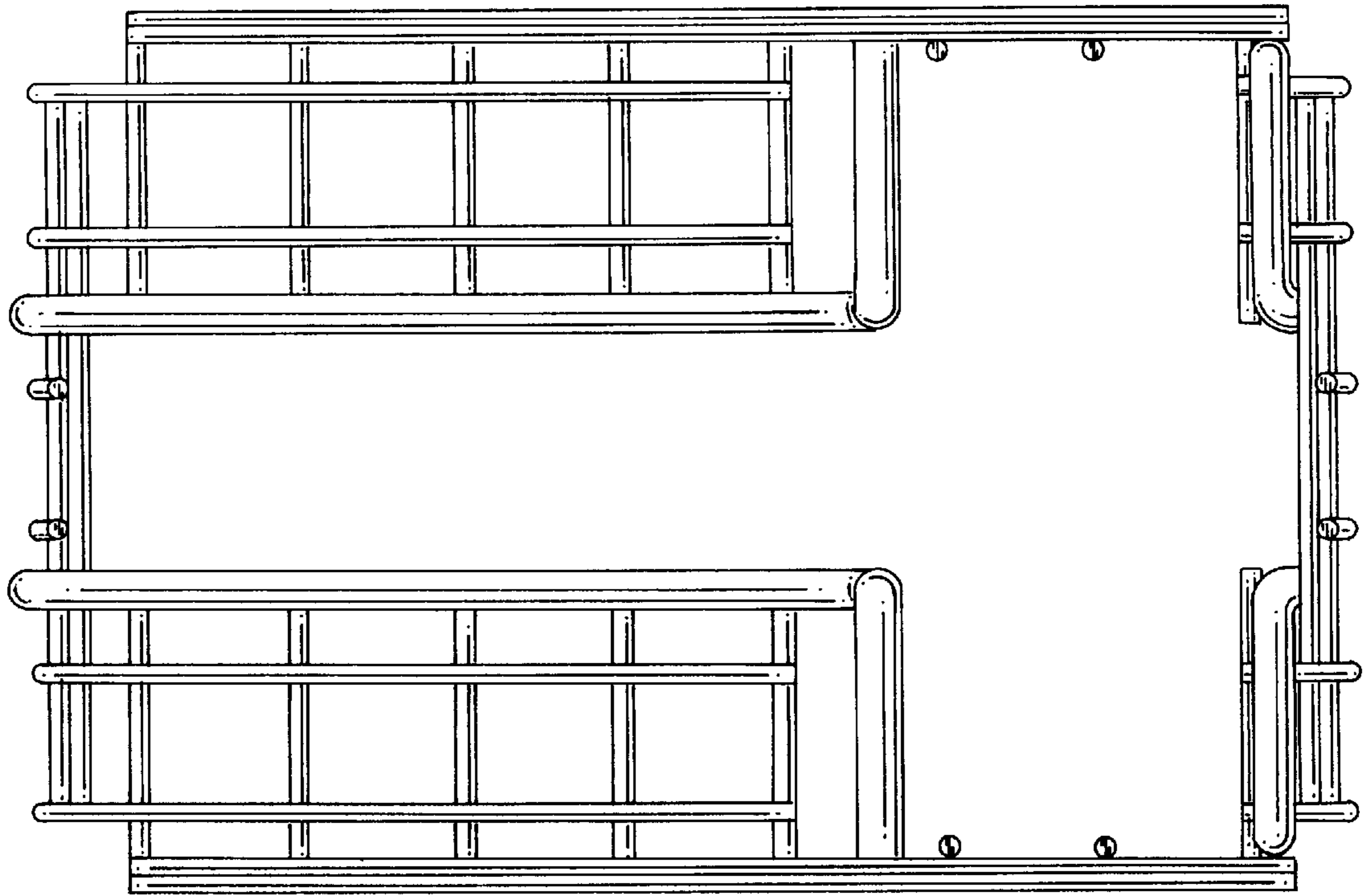


FIG. 2

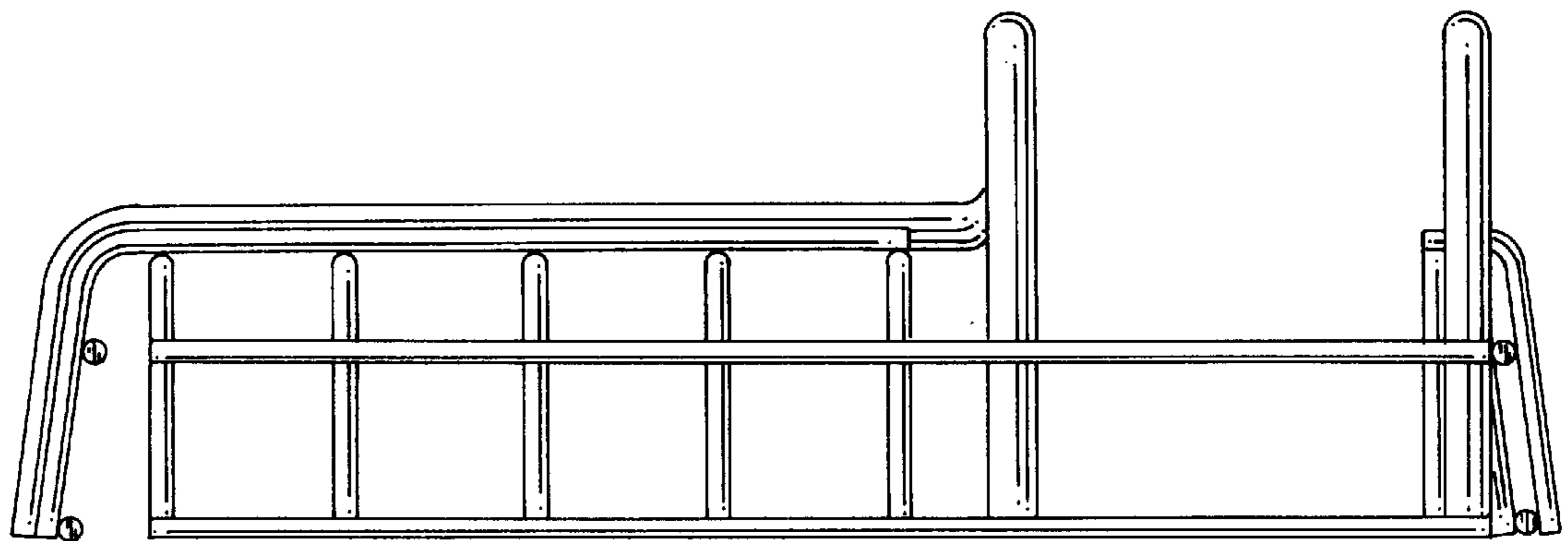


FIG. 3

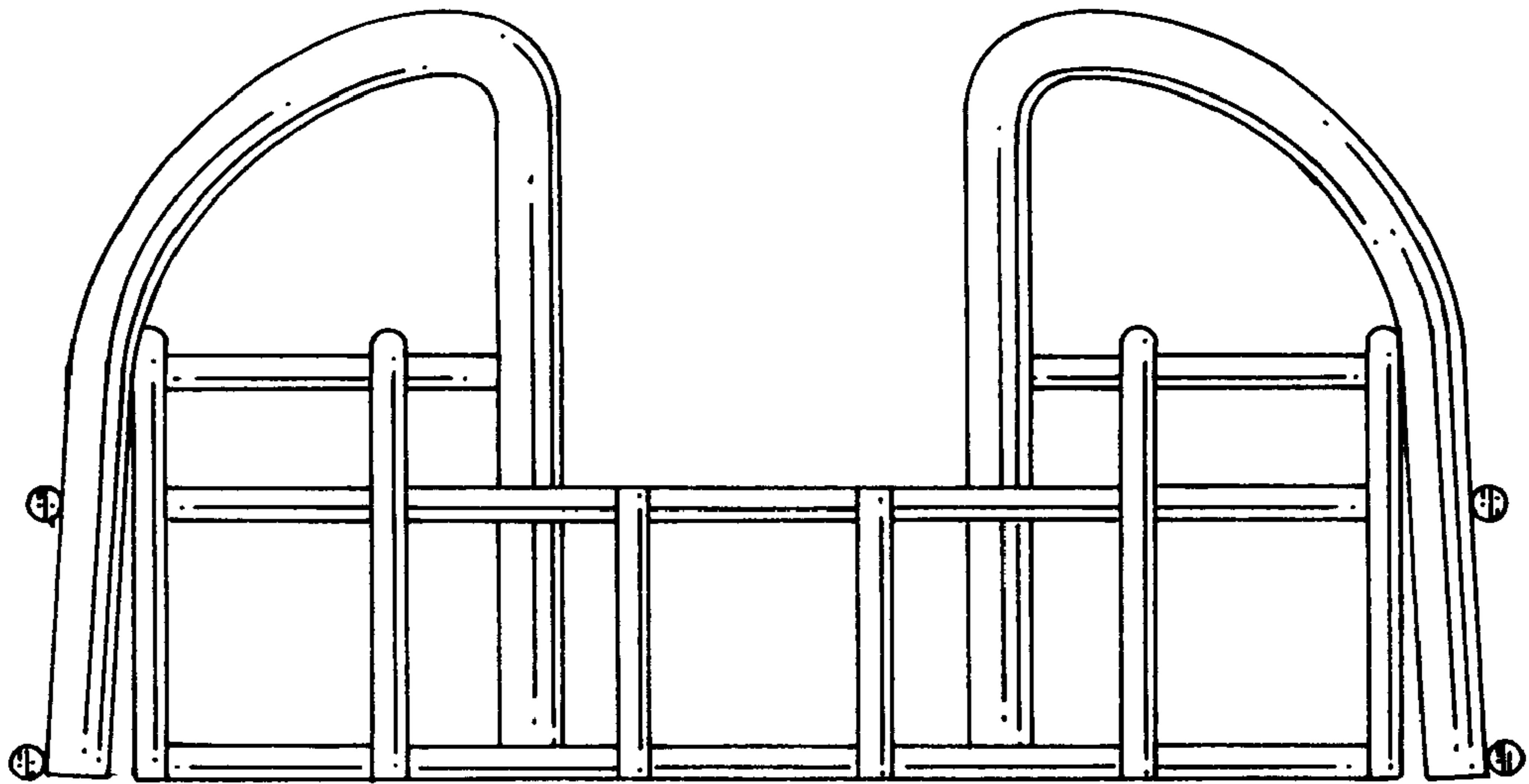


FIG. 4

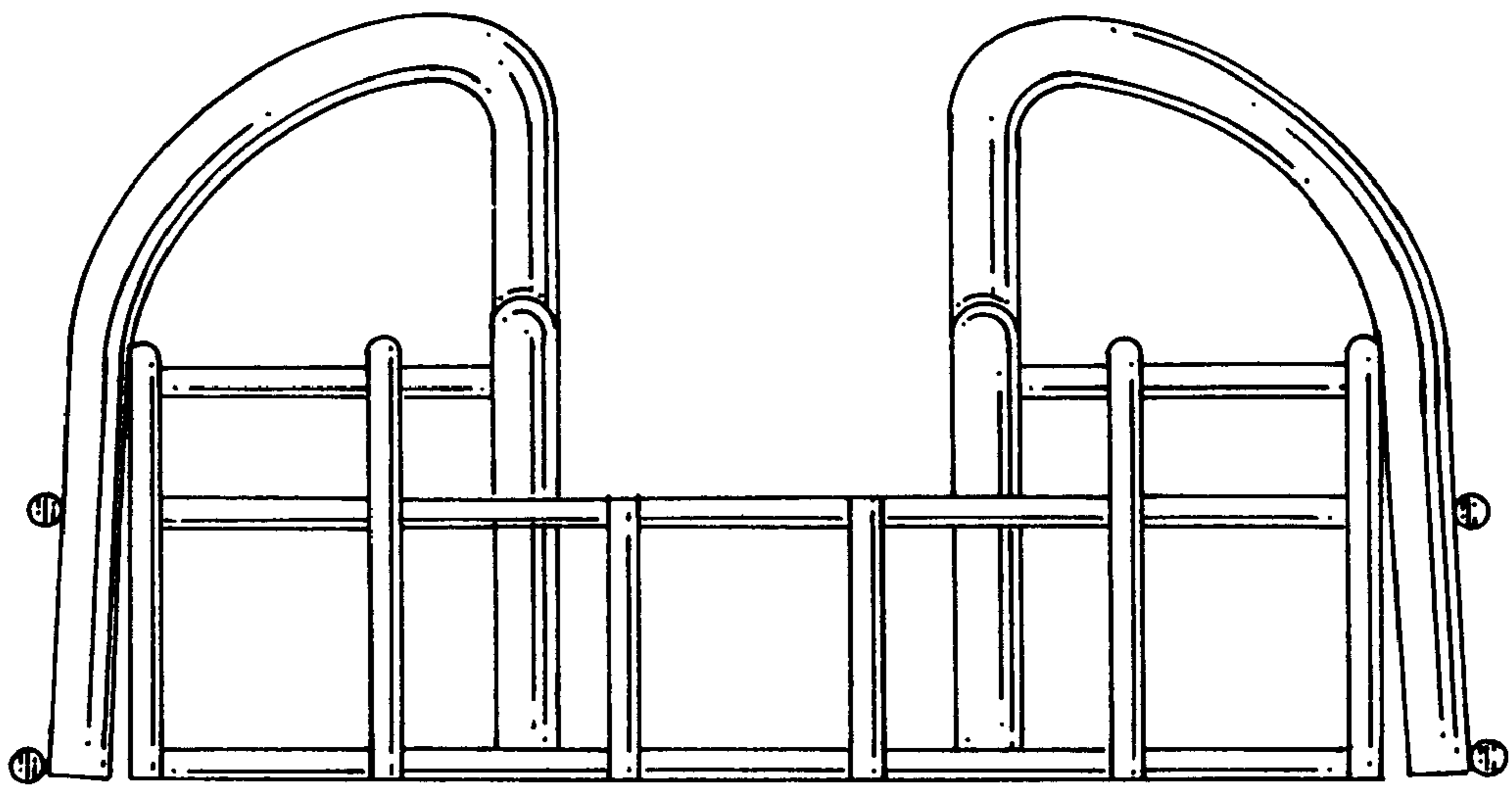


FIG. 5