



US00D422521S

United States Patent [19] Morrow

[11] Patent Number: **Des. 422,521**

[45] Date of Patent: **** Apr. 11, 2000**

[54] **SMOKE DETECTOR**

[75] Inventor: **James Morrow**, Oak Park, Ill.

[73] Assignee: **Universal Security Instruments, Inc.**,
Owings Mills, Md.

[**] Term: **14 Years**

[21] Appl. No.: **29/108,483**

[22] Filed: **Jul. 29, 1999**

[51] **LOC (6) Cl.** **10-05**

[52] **U.S. Cl.** **D10/106**

[58] **Field of Search** D10/104, 106,
D10/116, 121; 340/539, 541, 546, 547,
561, 571, 572, 573, 628, 629, 630

[56] **References Cited**

U.S. PATENT DOCUMENTS

D. 371,086	6/1996	Collins	D10/106
D. 373,544	9/1996	Nickles et al.	D10/106
D. 382,217	8/1997	Akiyama et al.	D10/106
D. 391,184	2/1998	Kawabata	D10/106
D. 391,185	2/1998	Jomizawa	D10/106

OTHER PUBLICATIONS

Universal, Smoke Alarm Products, 1997, Catalog.

Universal, Quality Lighting & Security Products, 1995, p. 19, Catalog.

Primary Examiner—Marcus A. Jackson

Attorney, Agent, or Firm—Cahn & Samuels, LLP

[57] **CLAIM**

The ornamental design for a smoke detector, as shown and described.

DESCRIPTION

FIG. 1 is a perspective view of an embodiment of the smoke detector according to the invention.

FIG. 2 is a top view of the smoke detector according to FIG. 1.

FIG. 3 is a first side view of the smoke detector according to FIG. 1.

FIG. 4 is a bottom view of the smoke detector according to FIG. 1.

FIG. 5 is a second side view of the smoke detector according to FIG. 1.

FIG. 6 is a third side view of the smoke detector according to FIG. 1.

FIG. 7 is a perspective view of a second embodiment of the smoke detector according to the invention.

FIG. 8 is a top view of the smoke detector according to FIG. 7.

FIG. 9 is a side view of the smoke detector according to FIG. 7.

FIG. 10 is a perspective view of a third embodiment of the smoke detector according to the invention.

FIG. 11 is a top view of the smoke detector according to FIG. 10.

FIG. 12 is a side view of the smoke detector according to FIG. 10.

FIG. 13 is a perspective view of a further embodiment of the smoke detector according to the invention.

FIG. 14 is a top view of the smoke detector according to FIG. 13; and,

FIG. 15 is a side view of the smoke detector according to FIG. 13.

1 Claim, 5 Drawing Sheets

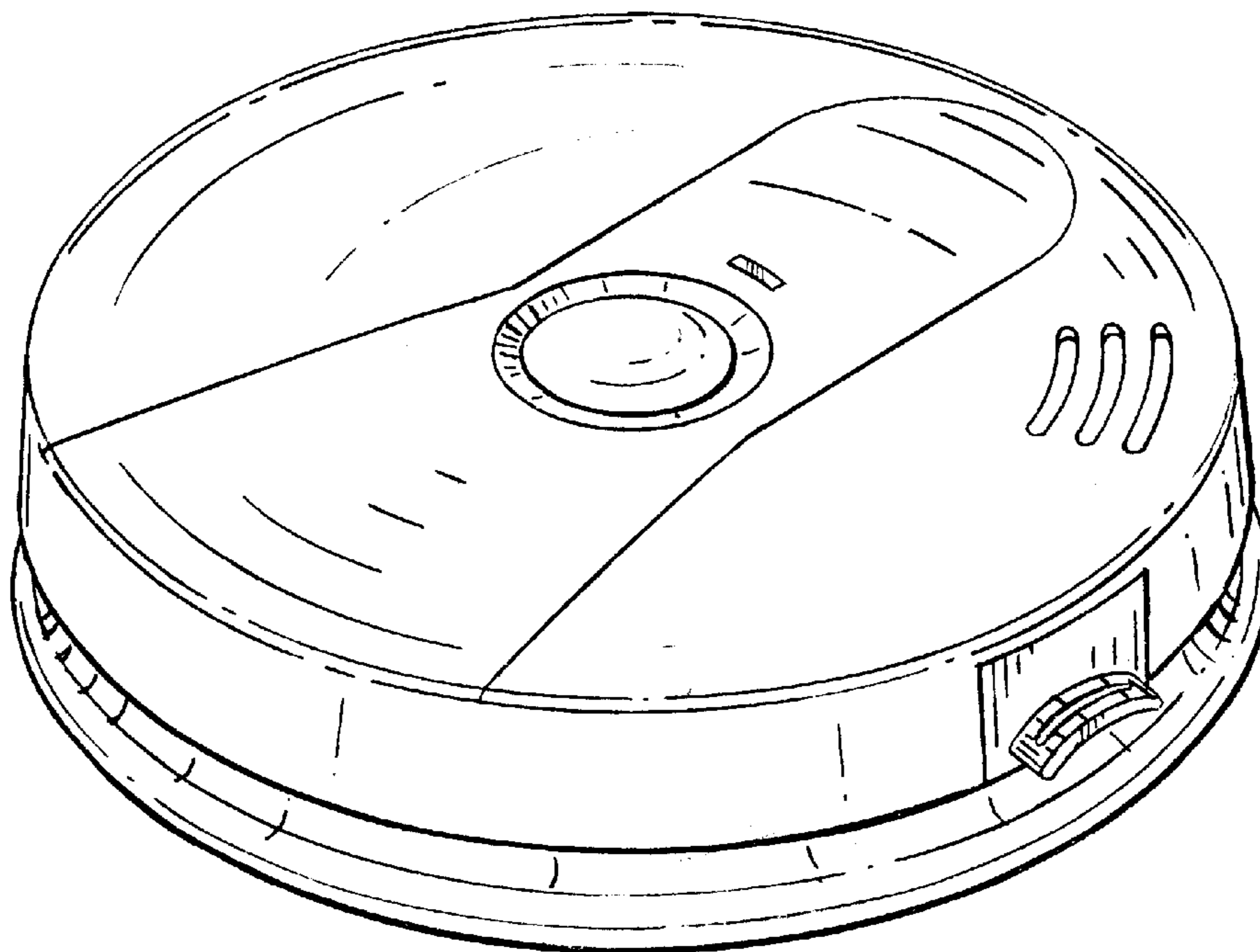


FIG 1

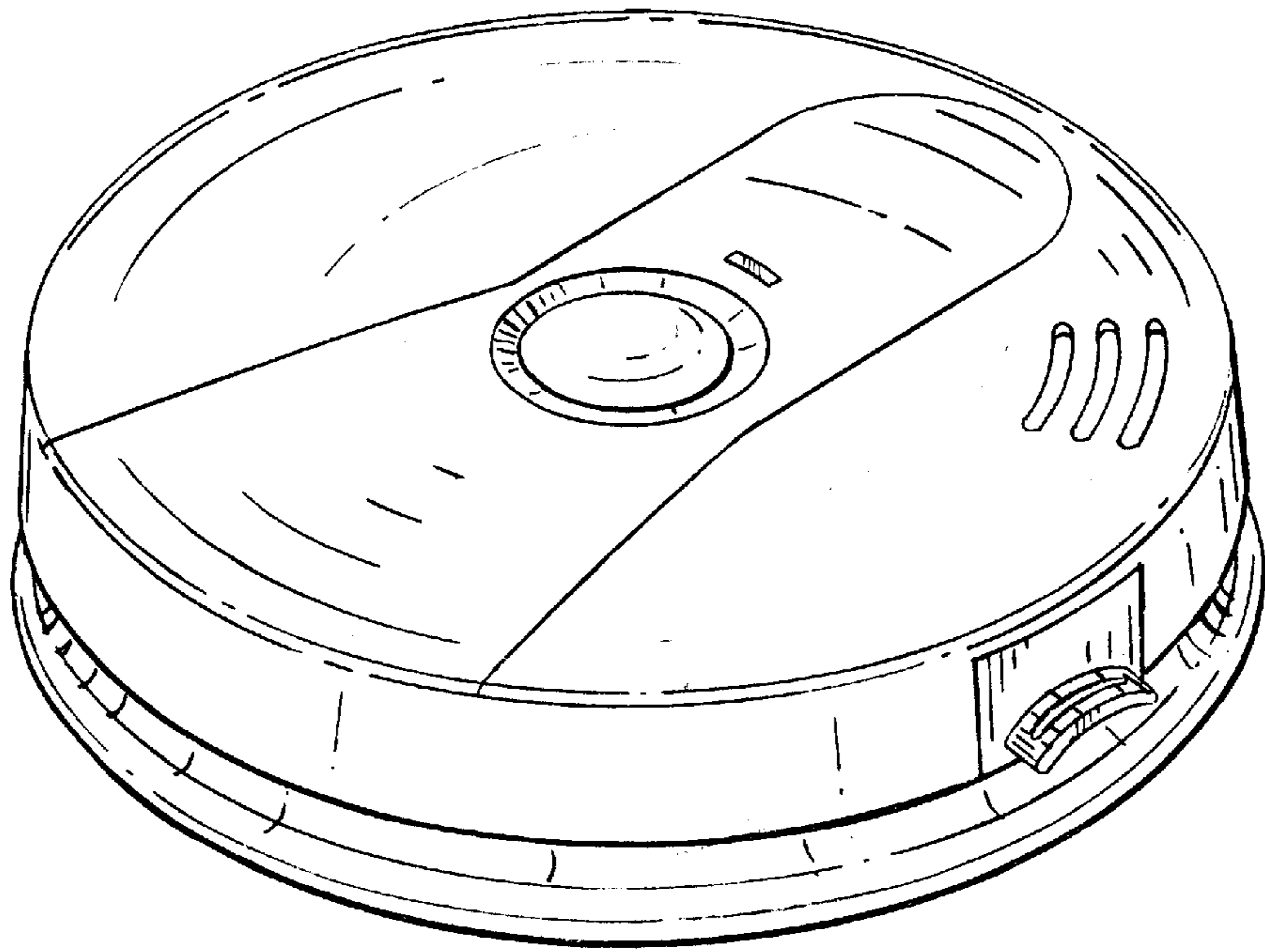


FIG 2

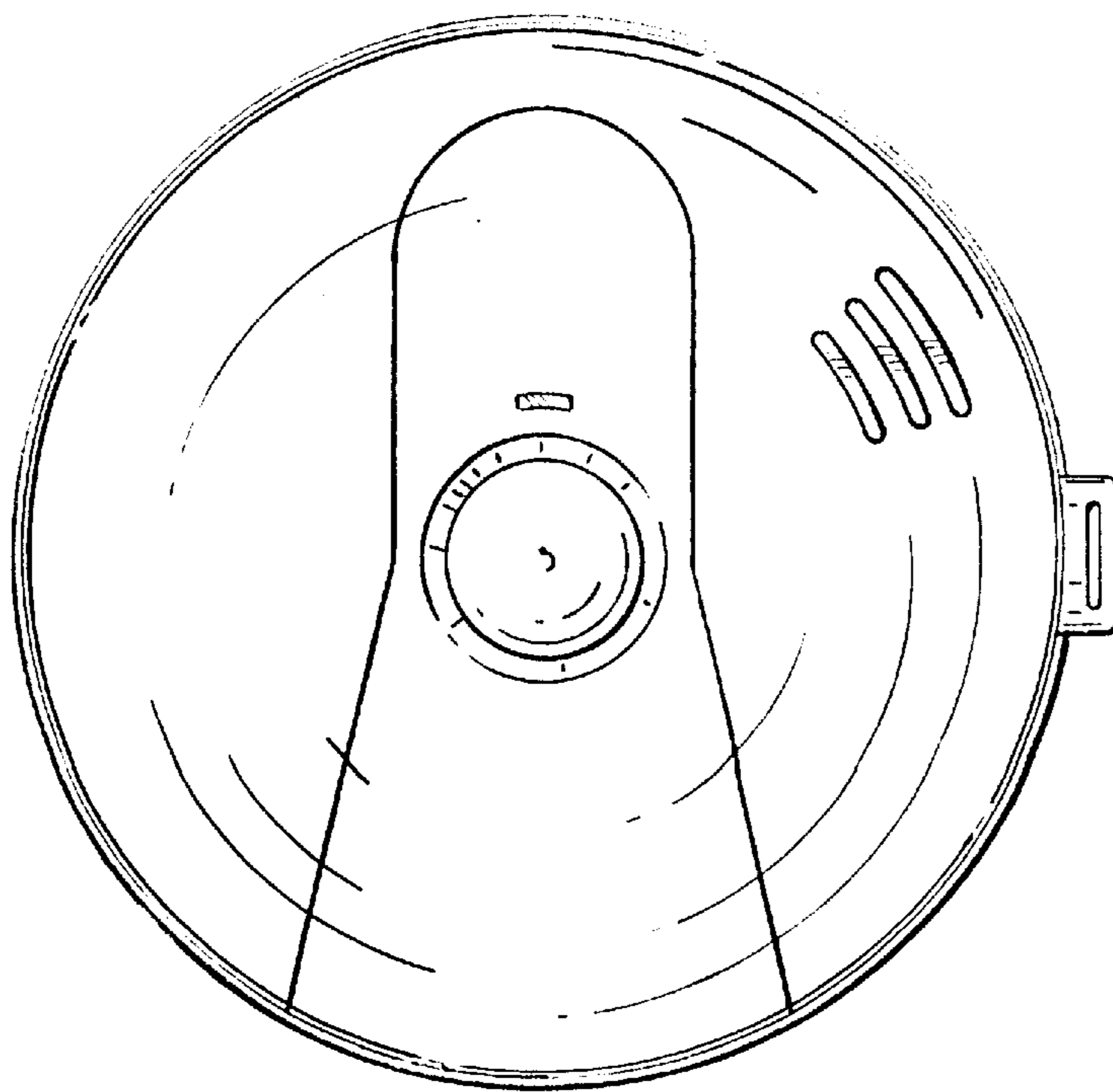
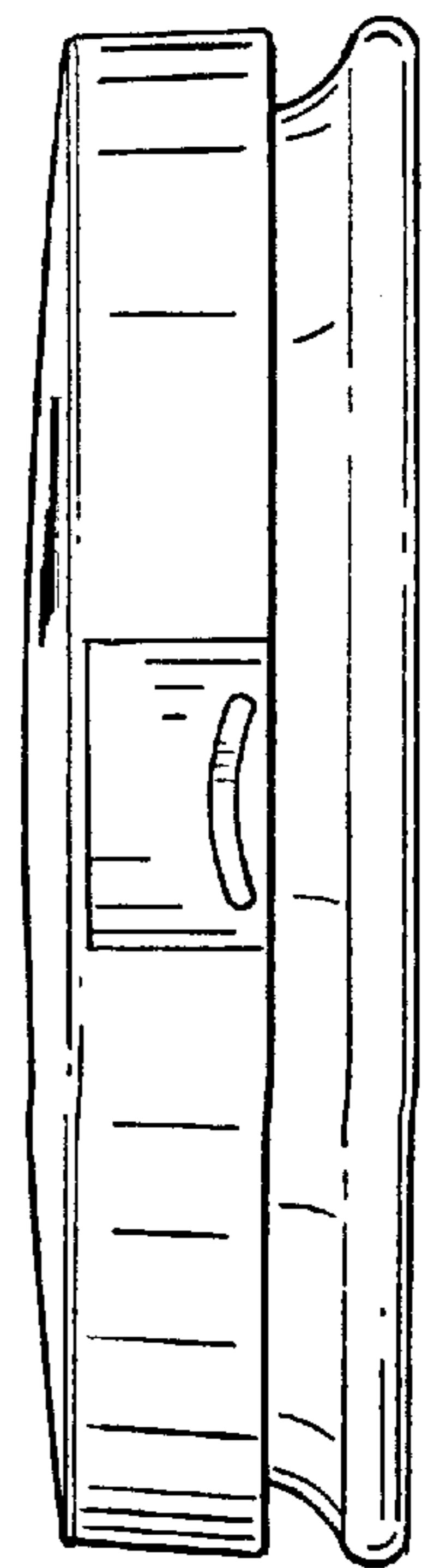


FIG 3



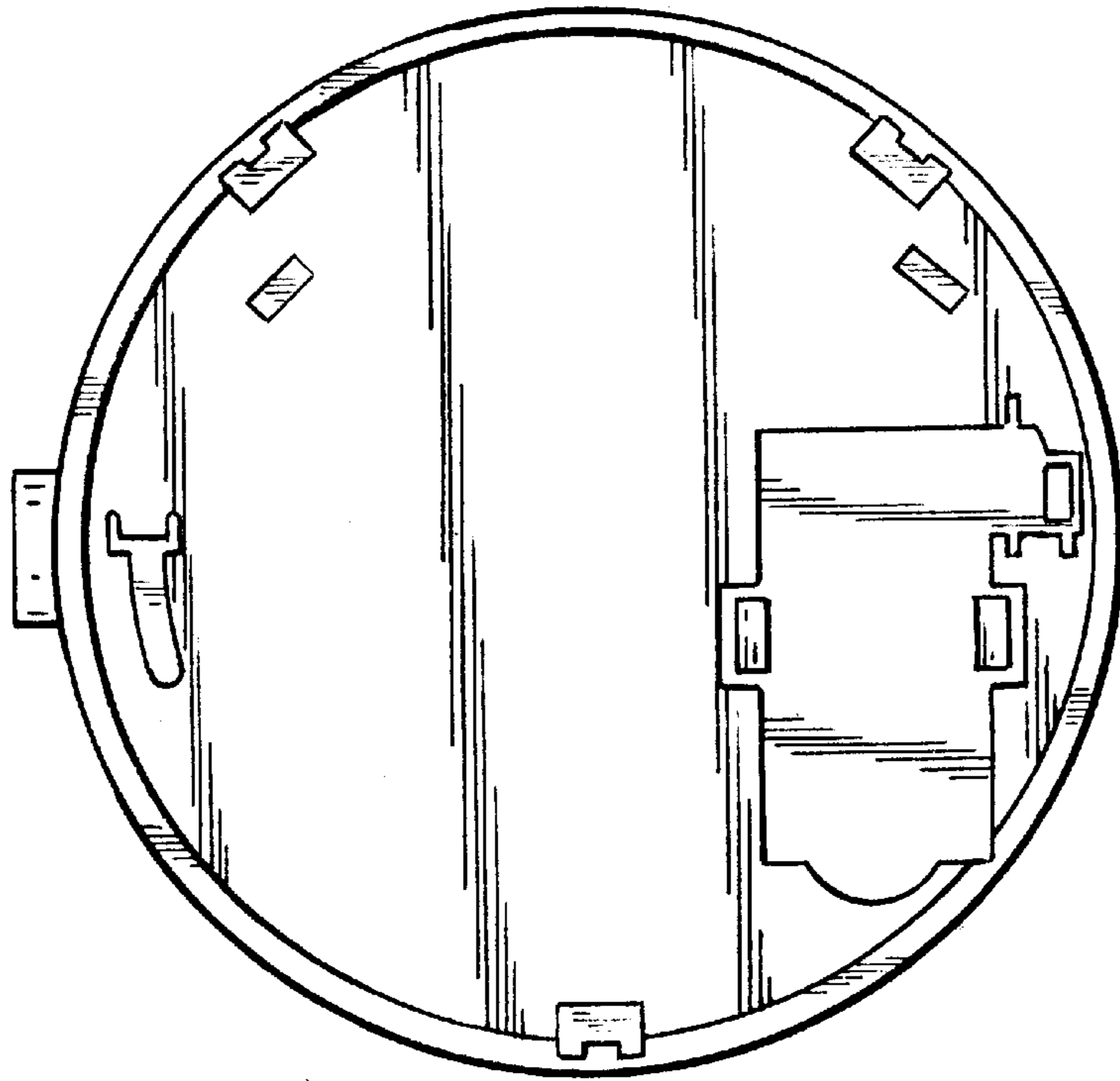


FIG 4

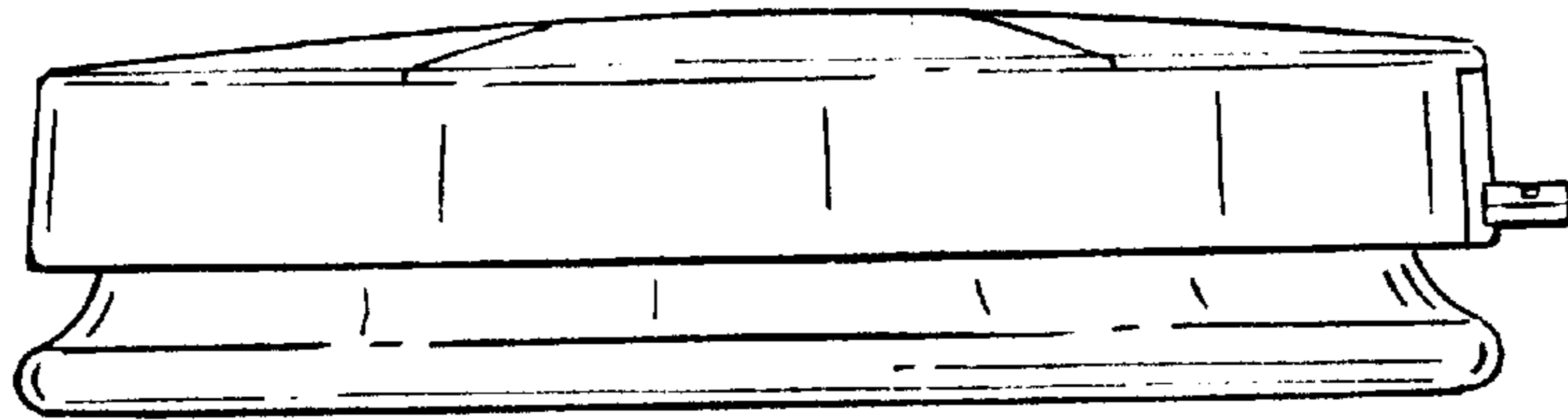


FIG 5

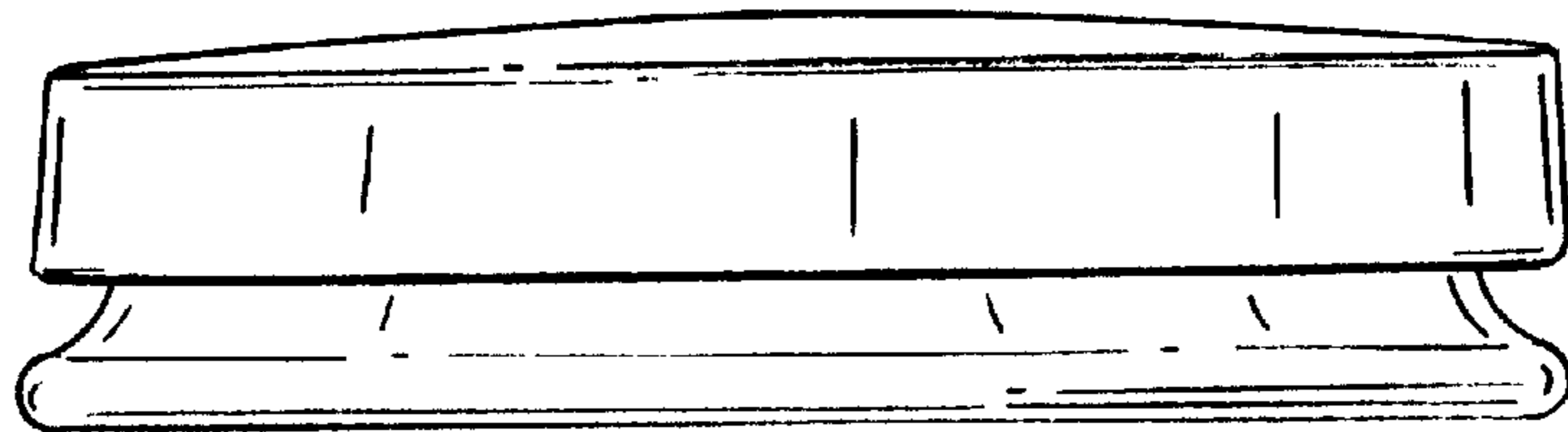


FIG 6

FIG 7

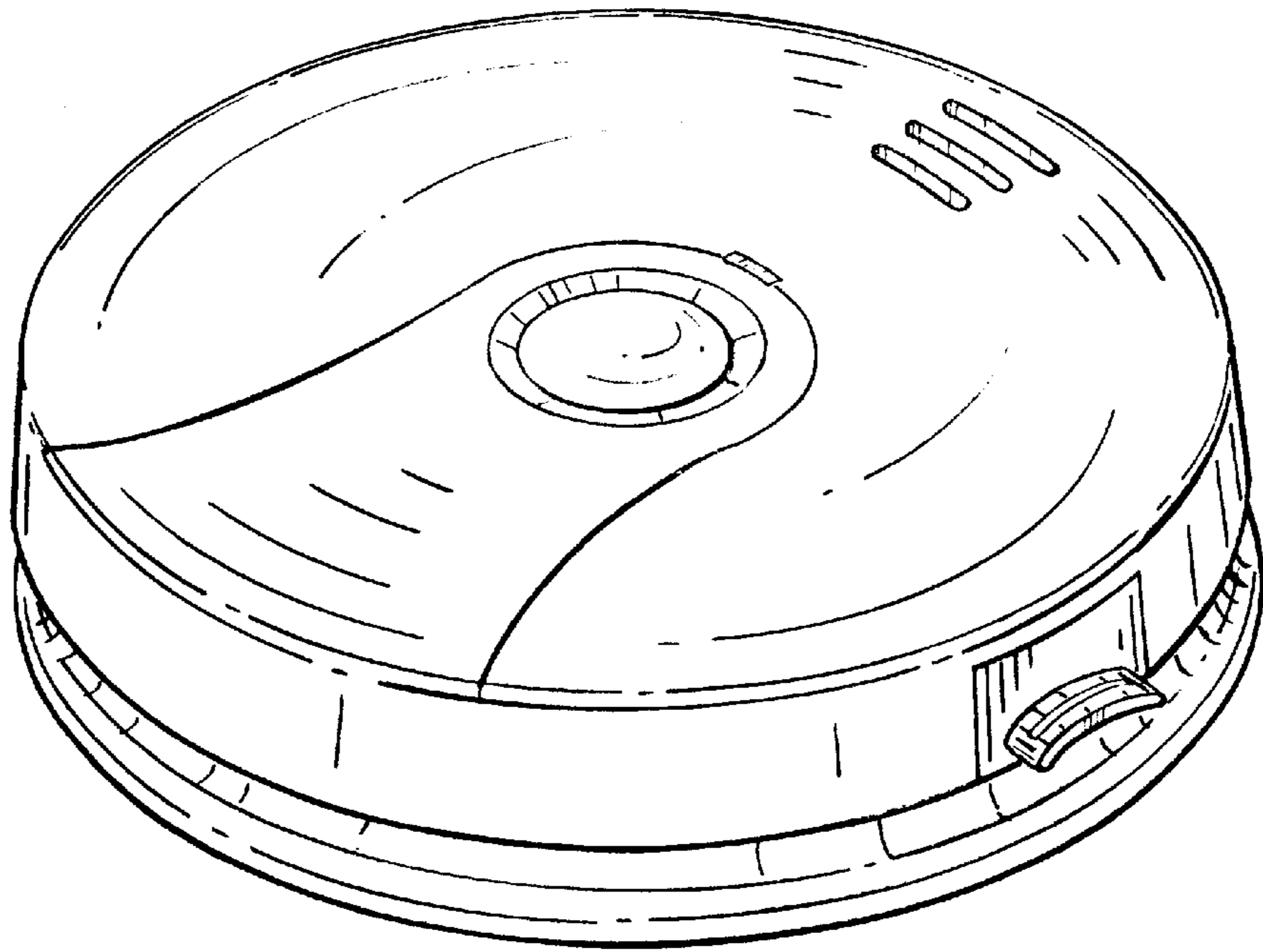


FIG 8

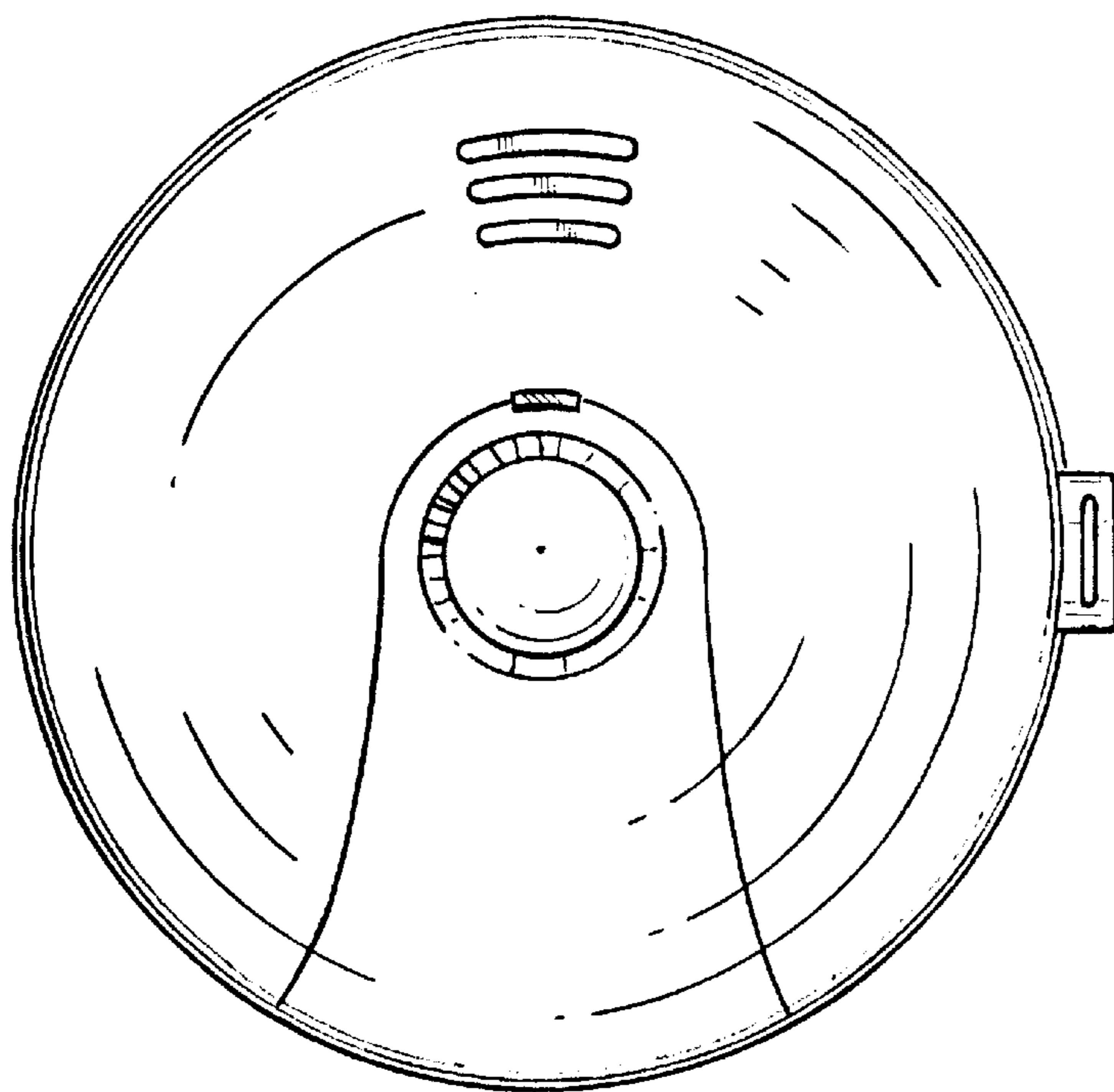


FIG 9



FIG 10

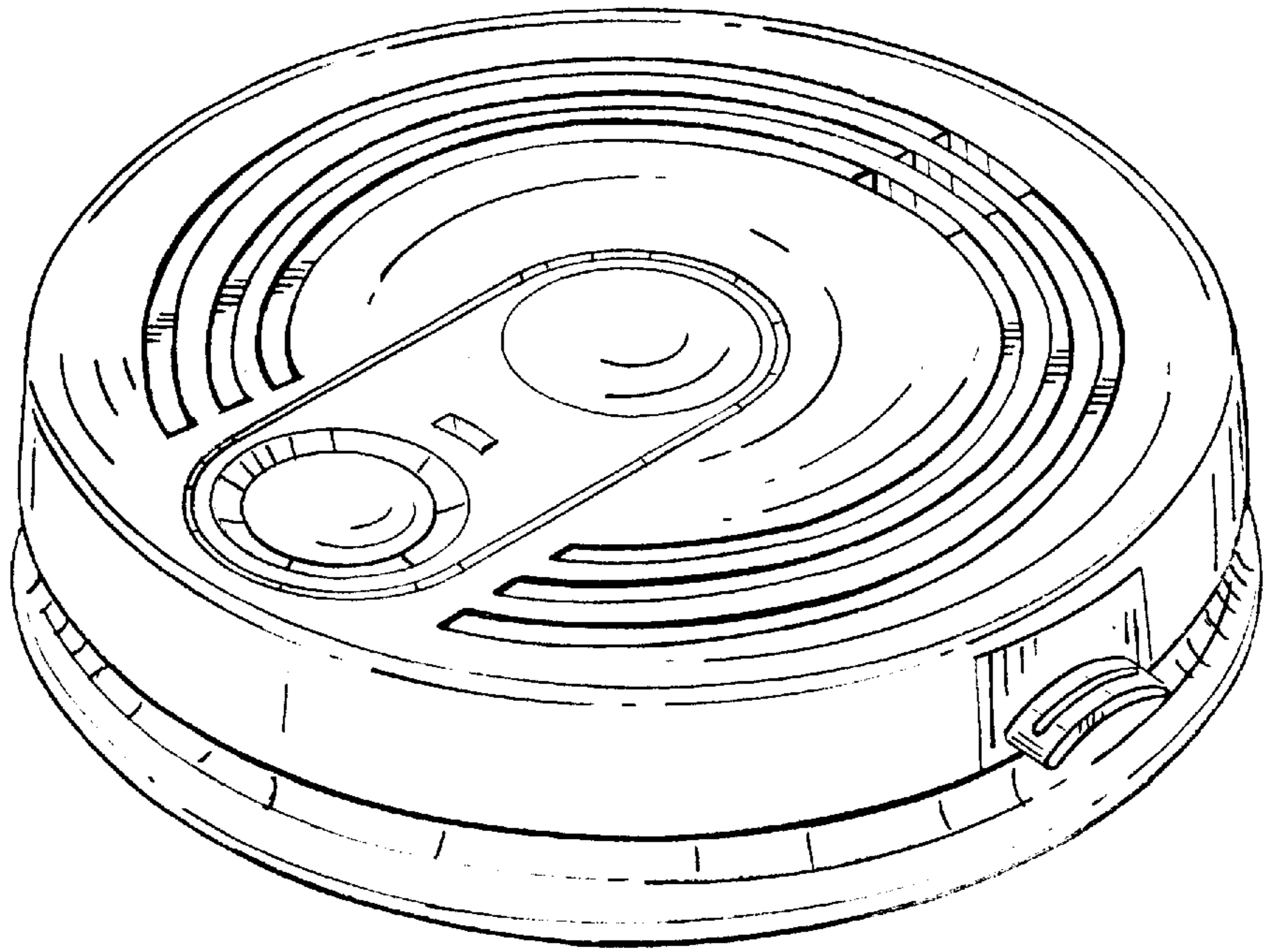


FIG 11

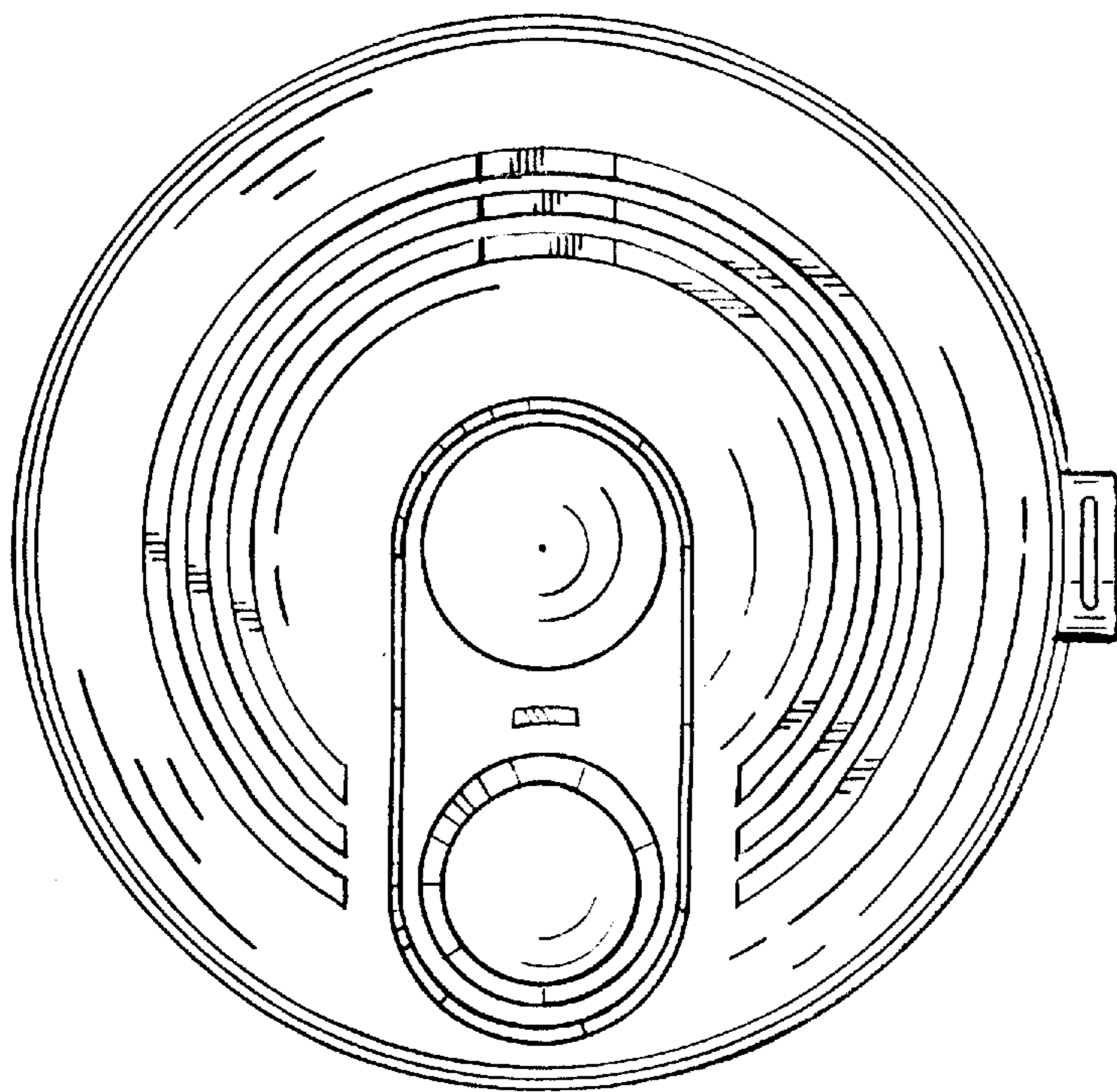


FIG 12

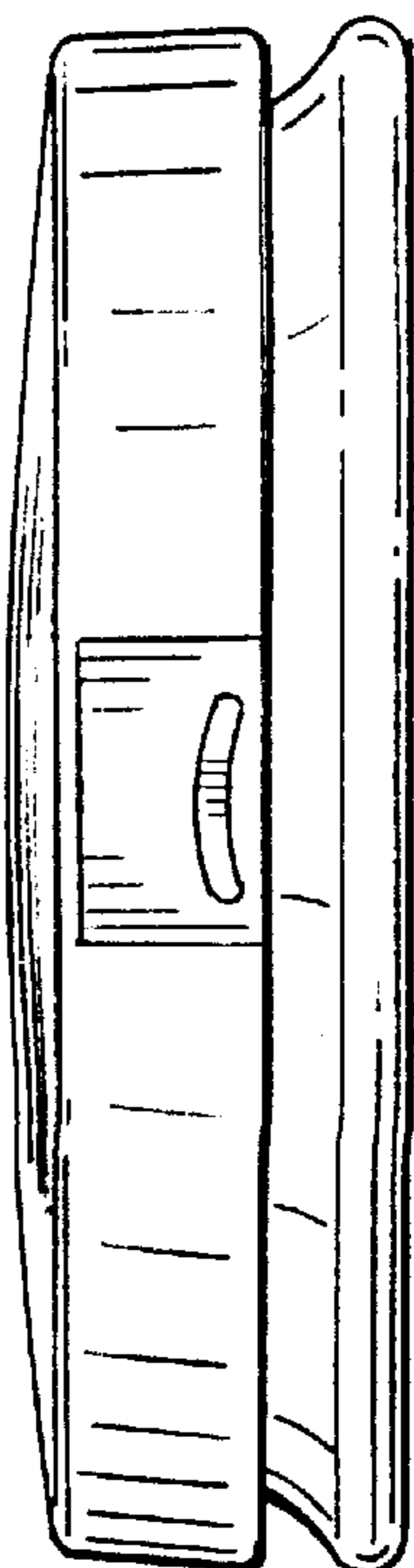


FIG 13

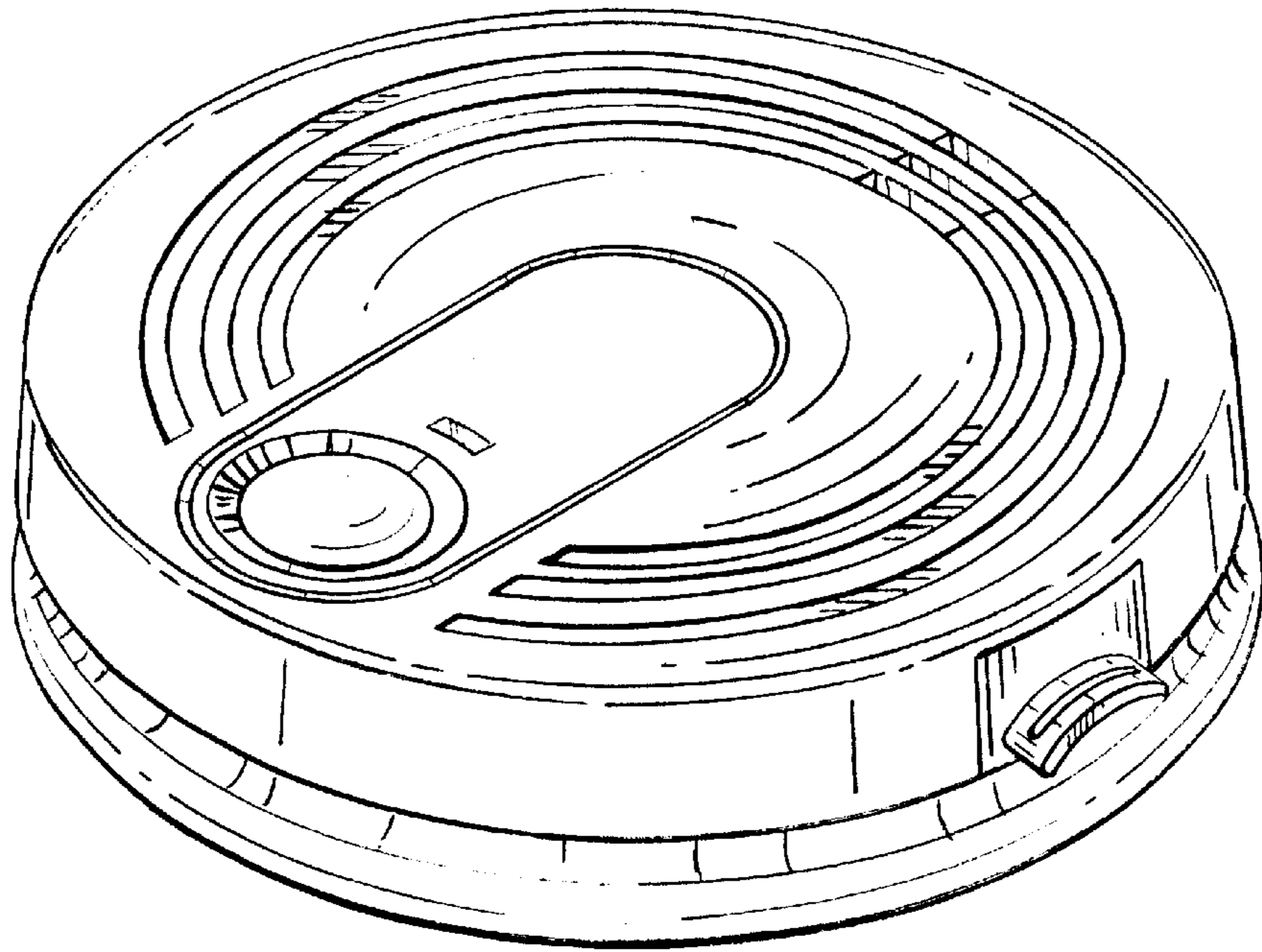


FIG 14

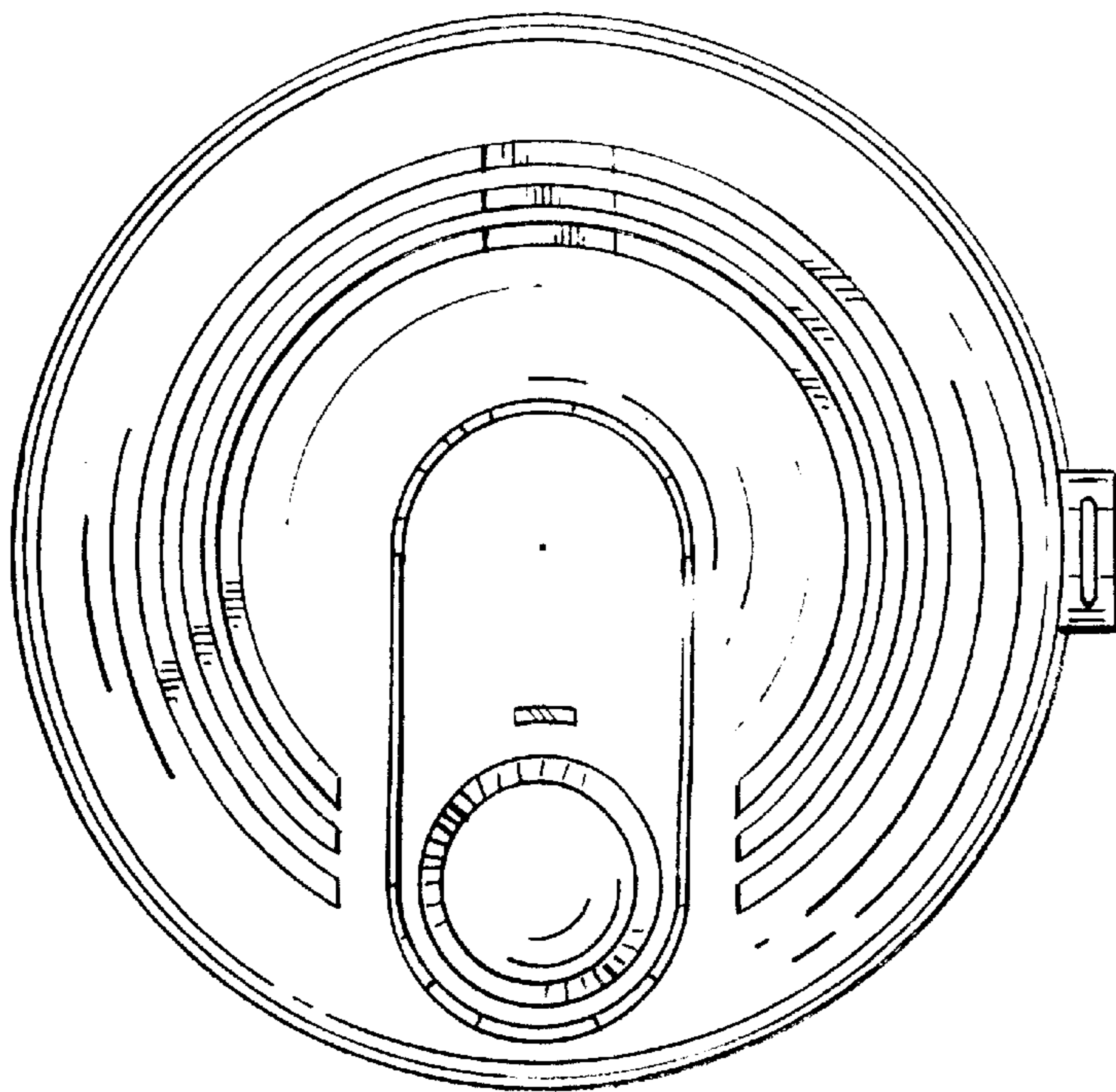


FIG 15

