



US00D422516S

United States Patent [19]

[11] Patent Number: **Des. 422,516**

Coleman et al.

[45] Date of Patent: **** Apr. 11, 2000**

[54] **THERMOSTATIC CONTROL FOR BARBECUE GRILL**

[75] Inventors: **Brian Coleman; Chris Cantrell**, both of Midland, Ga.; **Jeff Brant**, Dublin, Ohio

[73] Assignee: **W.C. Bradley Company**, Columbus, Ga.

[**] Term: **14 Years**

[21] Appl. No.: **29/074,797**

[22] Filed: **Aug. 8, 1997**

[51] **LOC (6) Cl.** **10-04**

[52] **U.S. Cl.** **D10/50**

[58] **Field of Search** D7/402, 332-337, D7/354; D10/50-51, 49; 126/39 G; 219/441, 442; 337/398

[56] **References Cited**

U.S. PATENT DOCUMENTS

D. 179,557 1/1957 Boldt D10/50

D. 186,318	10/1959	Wickenberg	D10/50
D. 193,618	9/1962	Reed	D10/50
D. 199,489	11/1964	Becker	D10/50
D. 228,461	9/1973	Boldt	D10/50
D. 248,017	5/1978	Boldt et al.	D10/50
4,164,645	8/1979	Dogliotti	219/452
5,098,283	3/1992	Clapp	431/11

Primary Examiner—Ruth McInroy
Attorney, Agent, or Firm—Thomas, Kayden, Horstemeyer & Risley; James W. Kayden

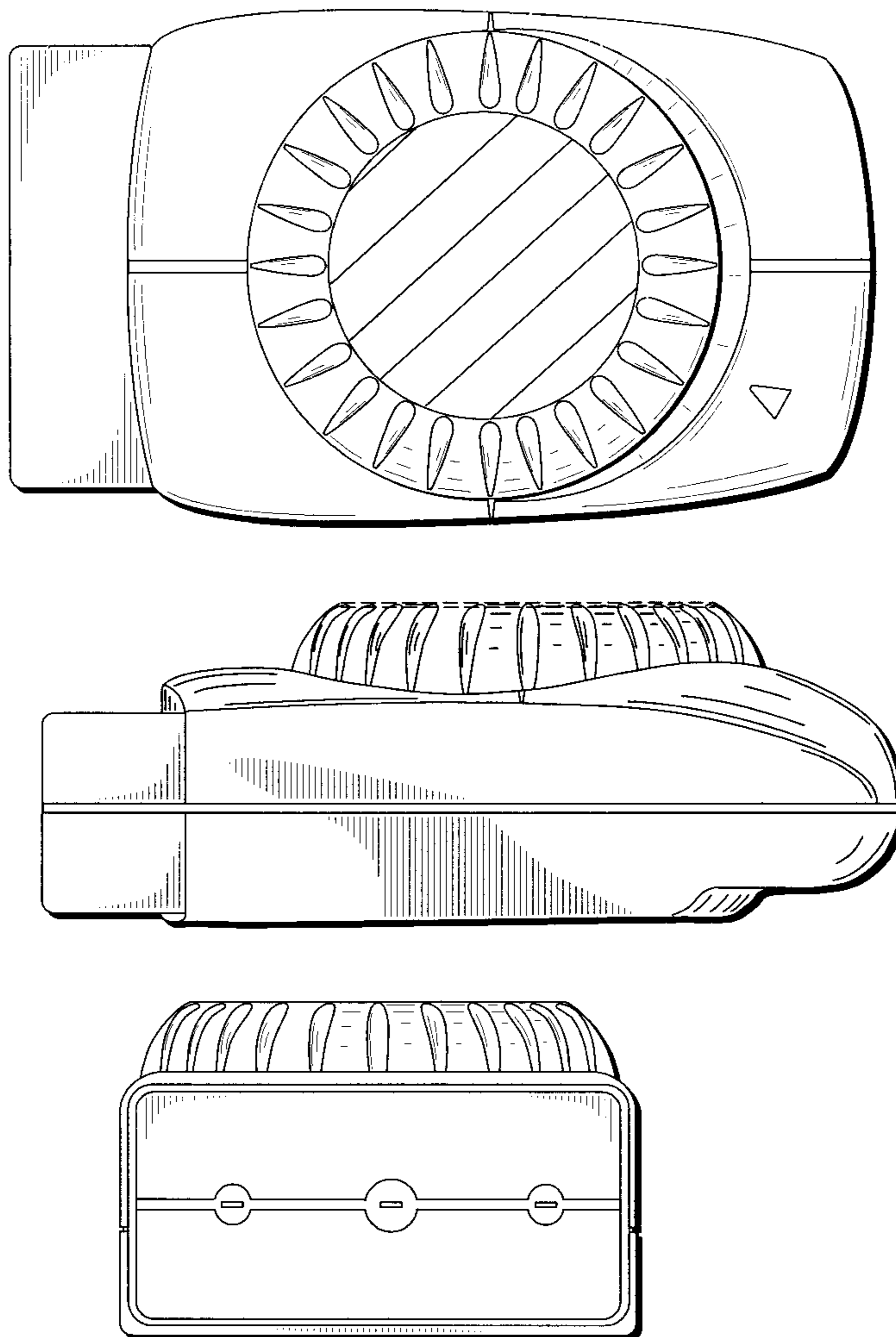
[57] **CLAIM**

The ornamental design for a thermostatic control for barbecue grill, as shown and described.

DESCRIPTION

FIG. 1 is a top plan view of a thermostatic control for barbecue grill showing our new design; FIG. 2 is a bottom plan view thereof; FIG. 3 is a right side elevational view thereof; FIG. 4 is a left side elevational view thereof; FIG. 5 is a front elevational view thereof; and, FIG. 6 is a rear elevational view thereof.

1 Claim, 3 Drawing Sheets



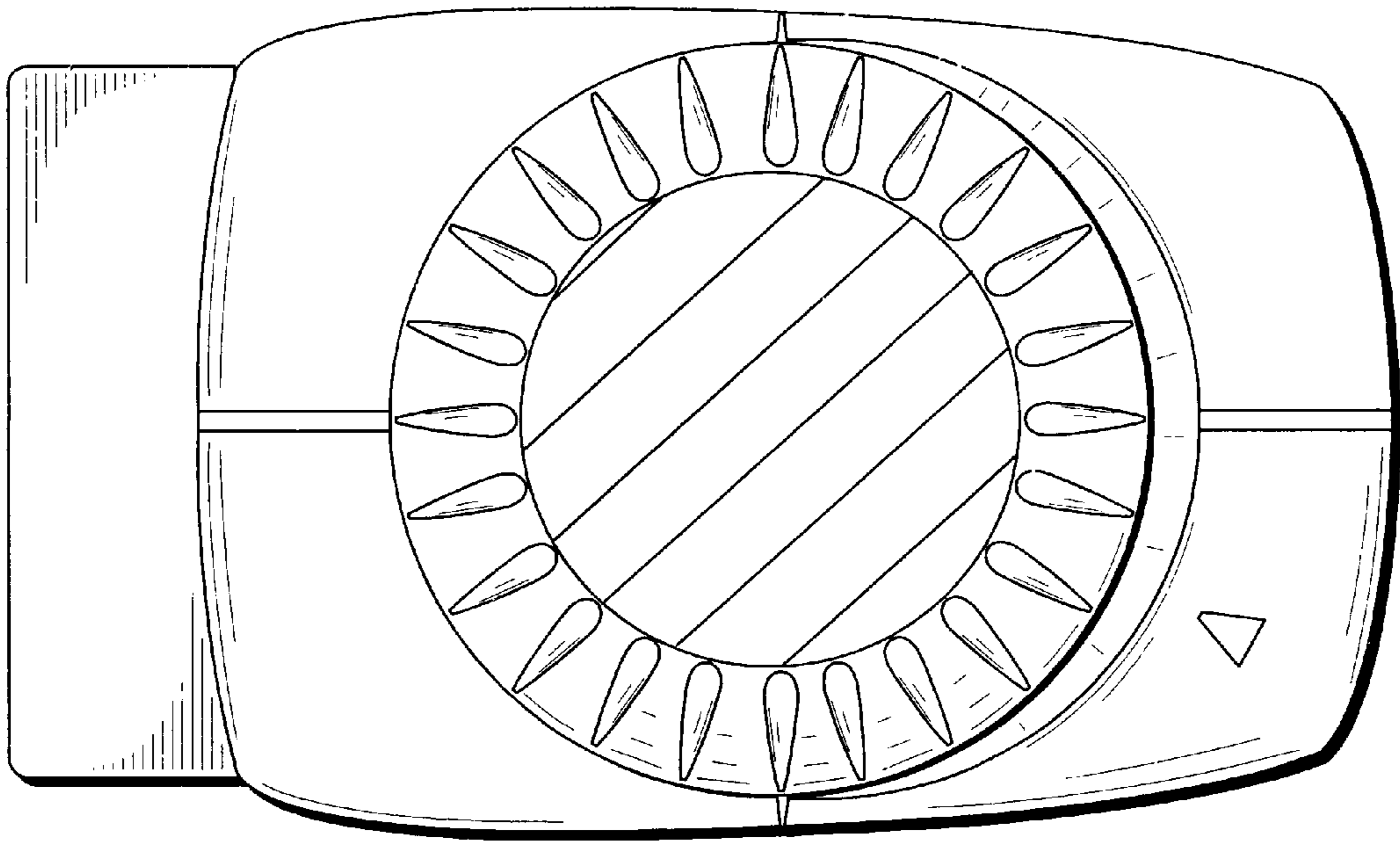


FIG. 1

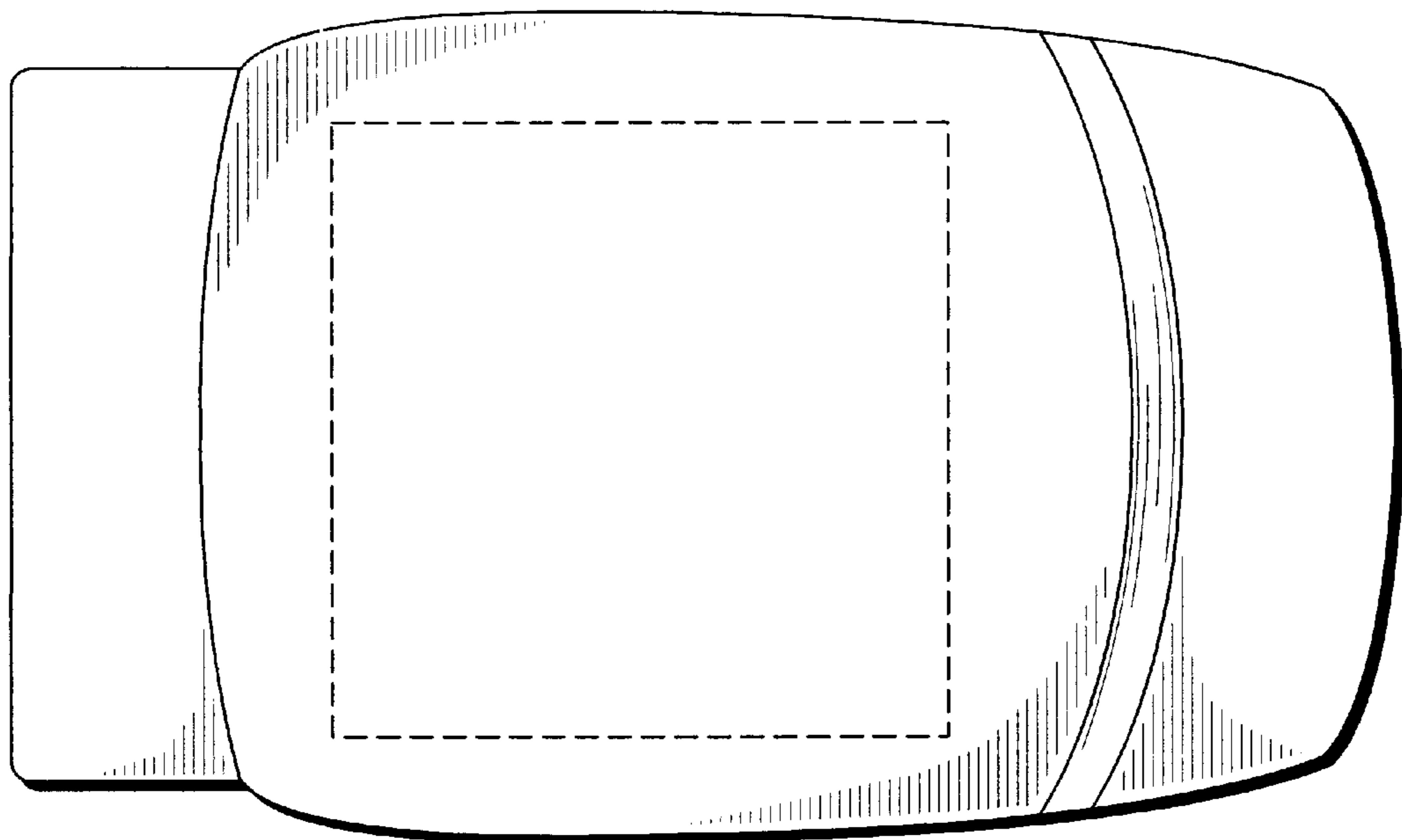


FIG. 2

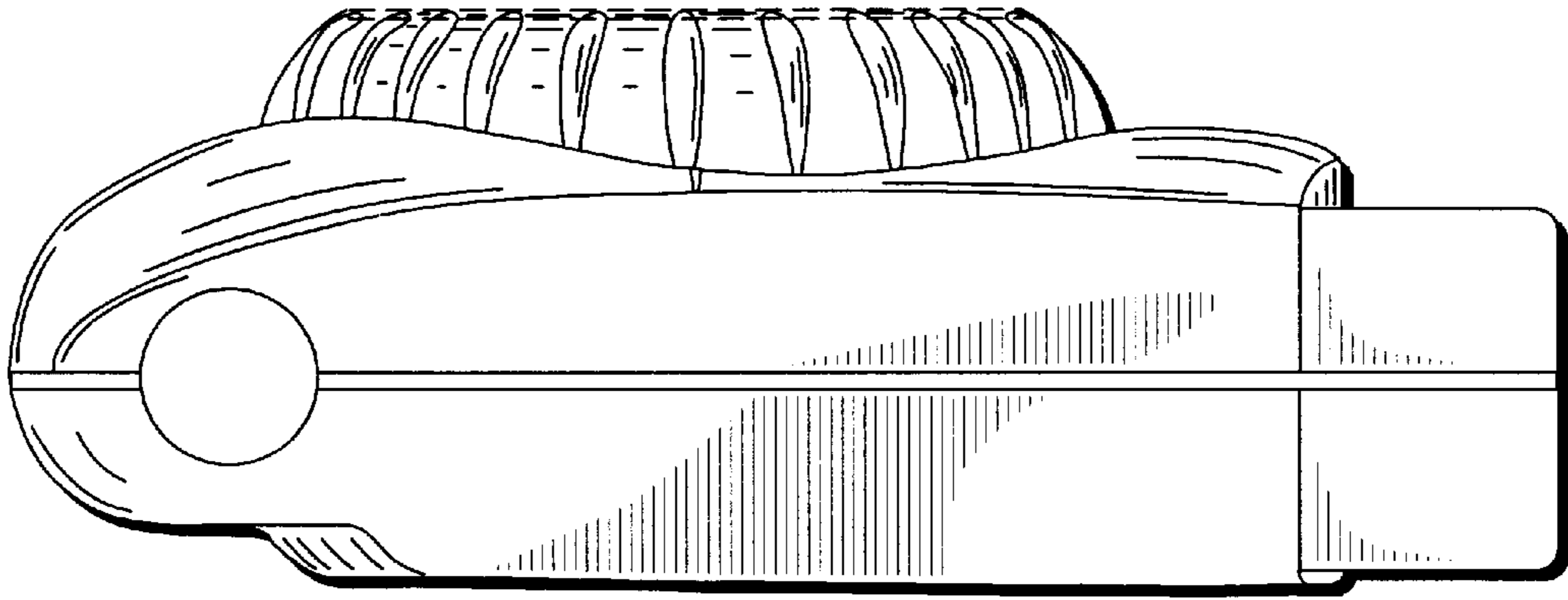


FIG. 3

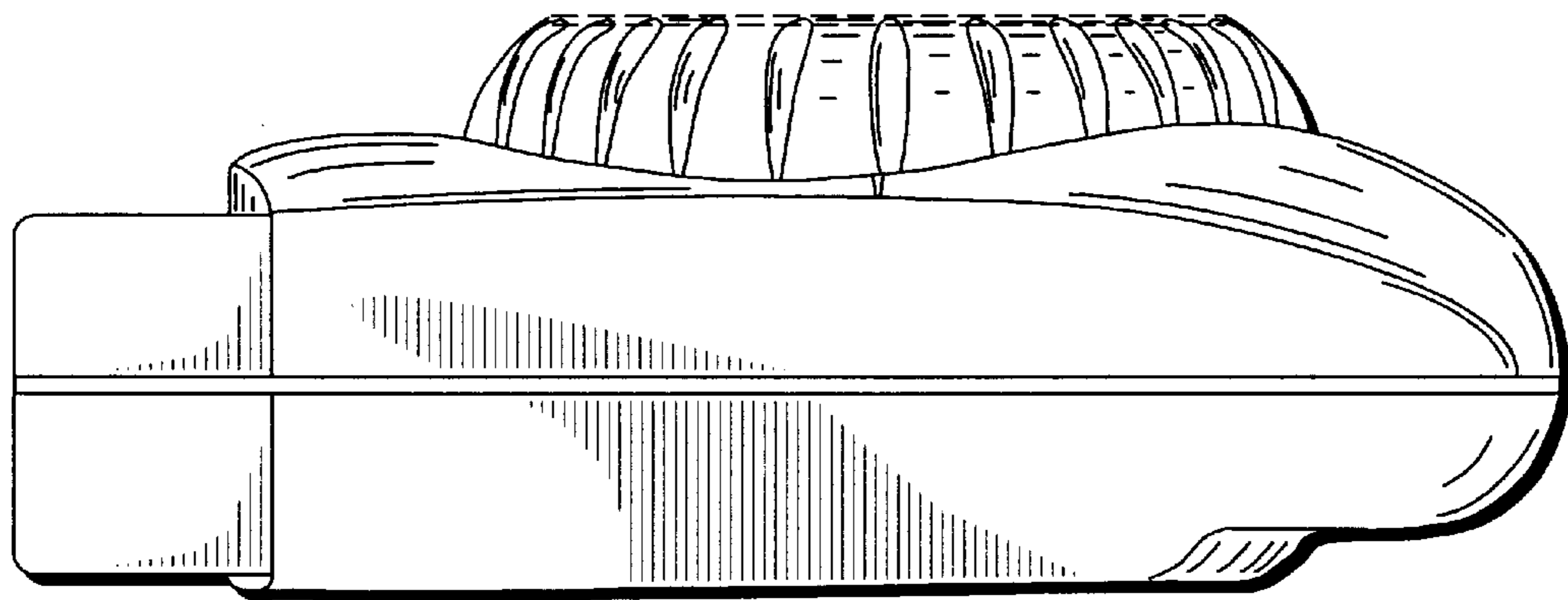


FIG. 4

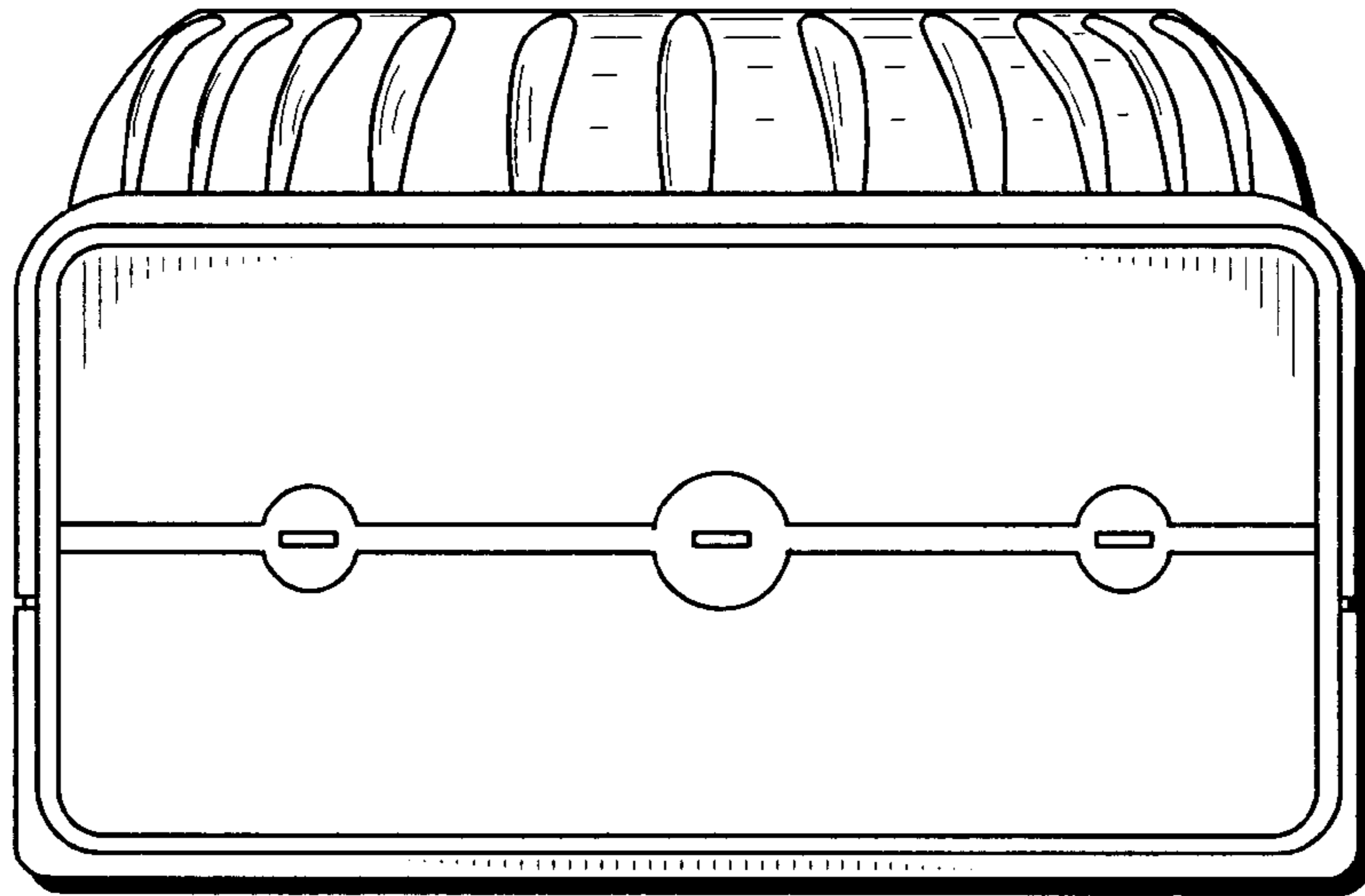


FIG. 5

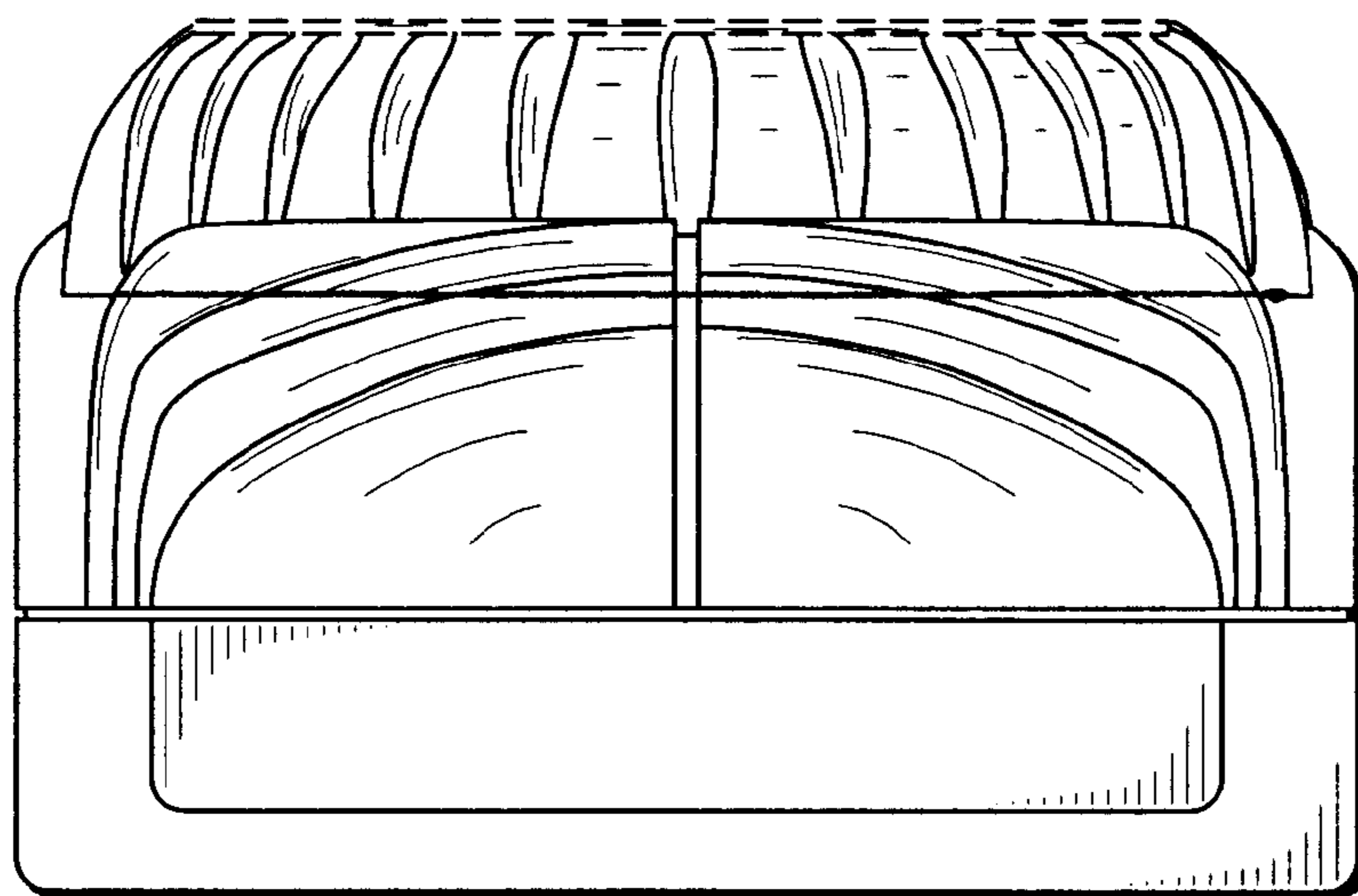


FIG. 6