



US00D422514S

United States Patent [19]

Diltoer et al.

[11] **Patent Number: Des. 422,514**

[45] **Date of Patent: ** Apr. 11, 2000**

[54] **WATCH**

[75] Inventors: **Jacques Diltoer**, Villeneuve-la-Garenne;
Richard Lepeu, Paris, both of France

[73] Assignee: **Cartier International B.V.**,
Amsterdam, Netherlands

[**] Term: **14 Years**

[21] Appl. No.: **29/105,137**

[22] Filed: **May 19, 1999**

[30] **Foreign Application Priority Data**

Nov. 23, 1998 [XH] Hague Agreement DM/046065
Mar. 12, 1999 [XH] Hague Agreement DM/047327

[51] **LOC (6) Cl.** **10-02**

[52] **U.S. Cl.** **D10/39; D10/128; D10/30**

[58] **Field of Search** **D10/1-40, 122-132;**
368/280-282, 276-277, 285

[56] **References Cited**

U.S. PATENT DOCUMENTS

D. 251,056 2/1979 Perrin D10/39

D. 267,549 1/1983 Kanoui D10/39
D. 268,737 4/1983 Perrin D10/39
D. 339,530 9/1993 Morishima D10/38

OTHER PUBLICATIONS

European Jeweler—(U.Z.)—Mar. 1982—p. 127—watch a t
bottom—right.

Primary Examiner—Nelson C Holtje
Attorney, Agent, or Firm—Oliff & Berridge, PLC

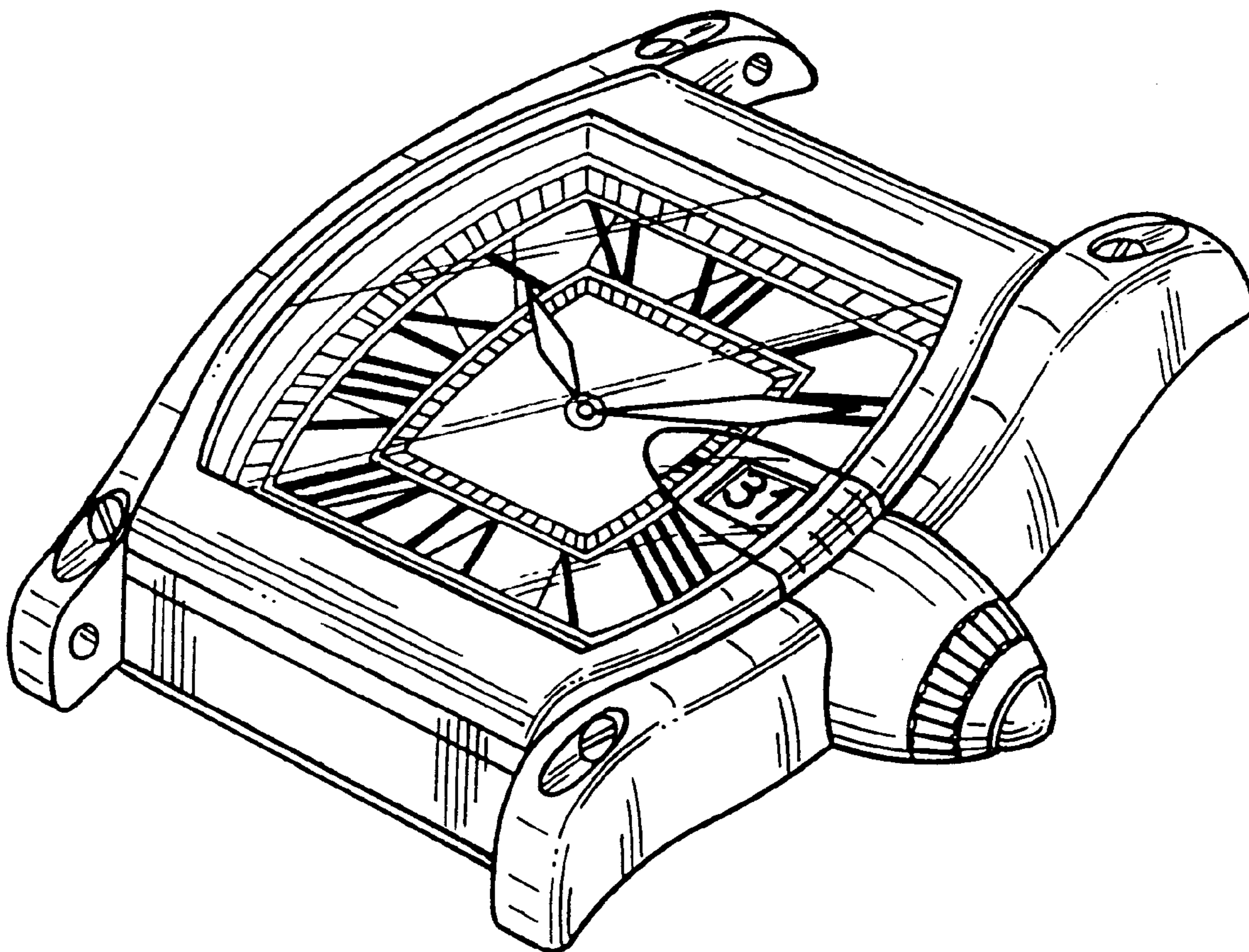
[57] **CLAIM**

The ornamental design for a watch, as shown and described.

DESCRIPTION

FIG. 1 is a perspective view of the watch,
FIG. 2 is a front elevational view thereof,
FIG. 3 is a rear elevational view thereof,
FIG. 4 is a right elevational view thereof,
FIG. 5 is a left elevational view thereof; and,
FIG. 6 is an end view thereof.

1 Claim, 6 Drawing Sheets



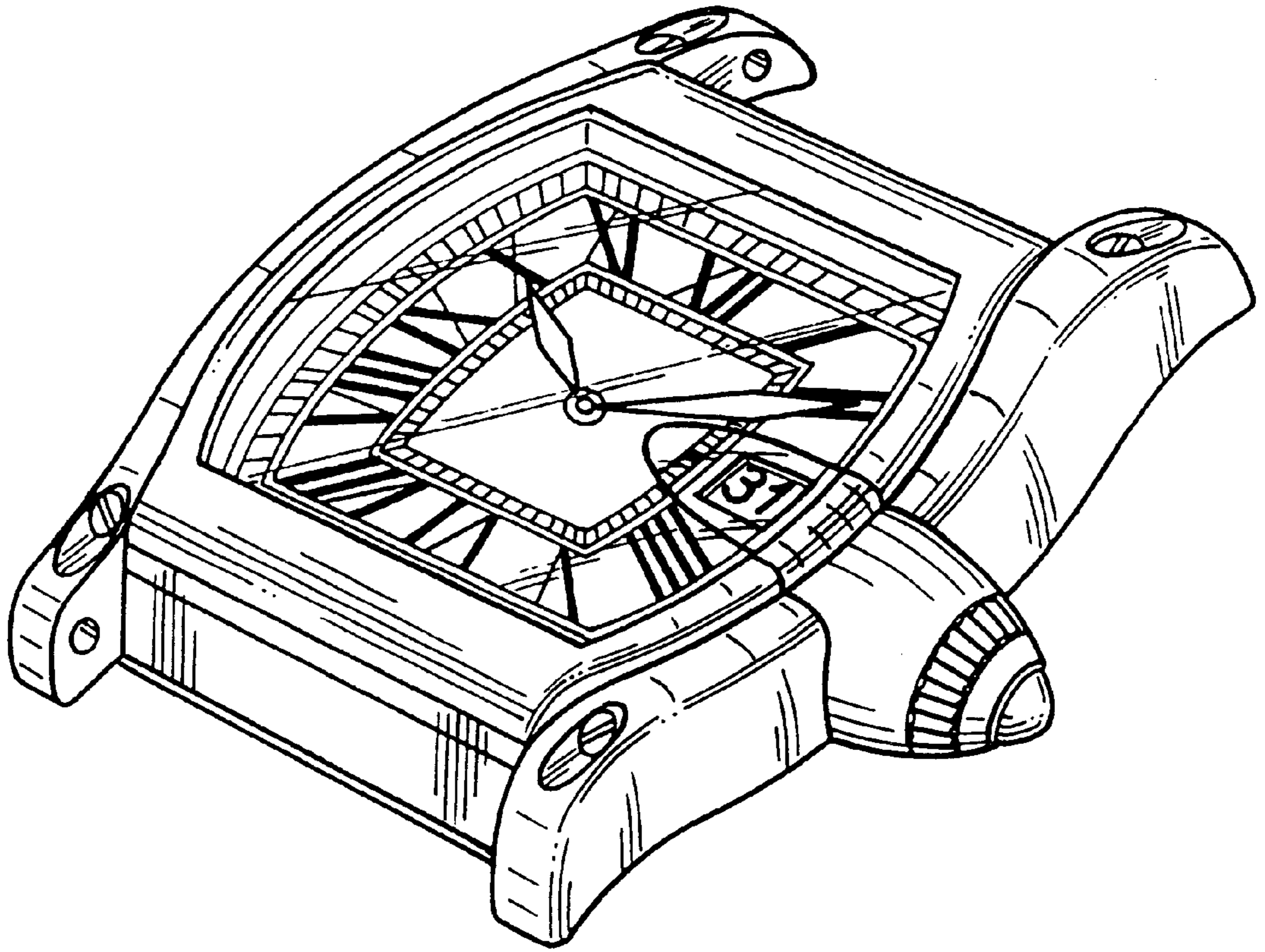


FIG. 1

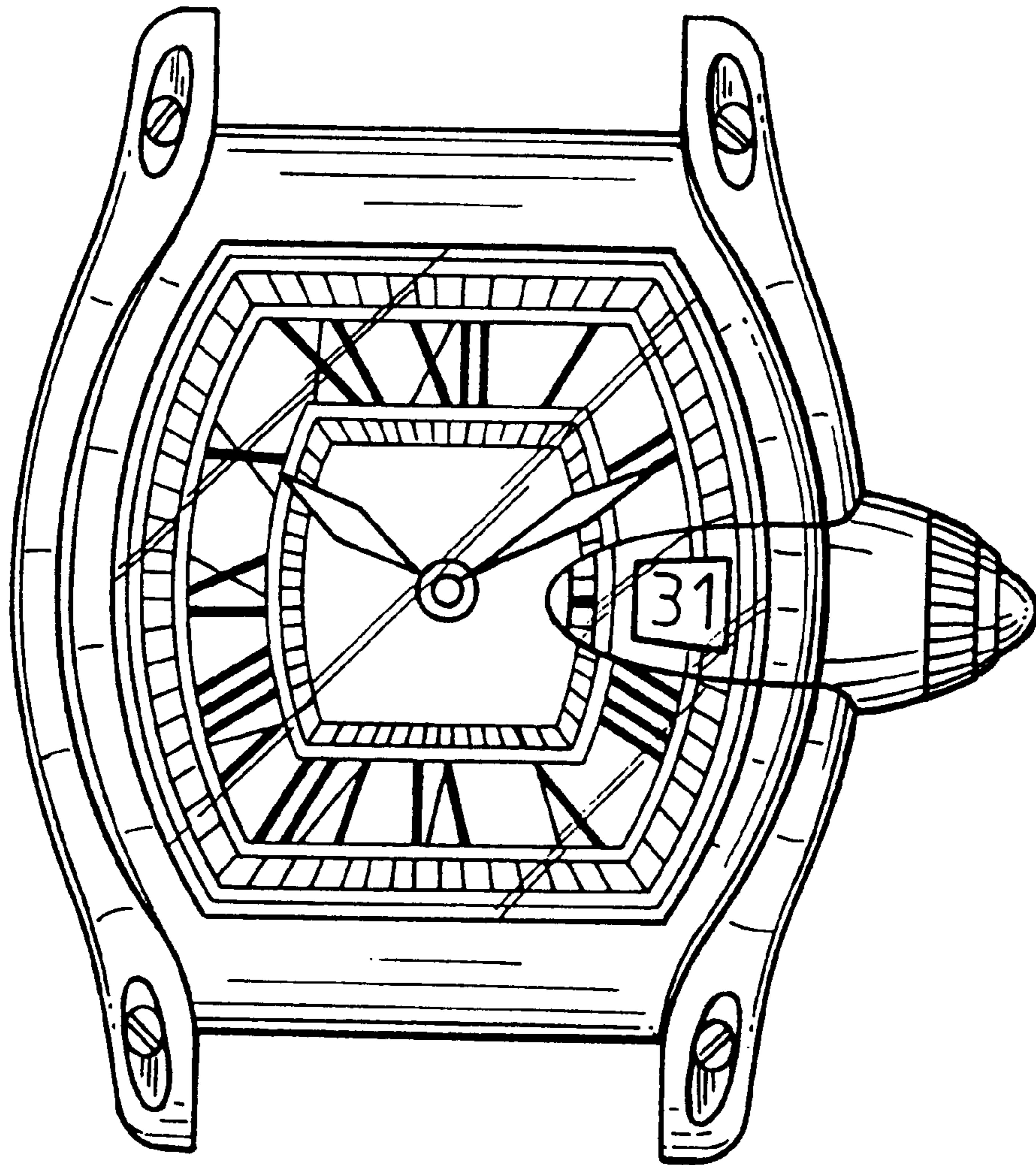


FIG. 2

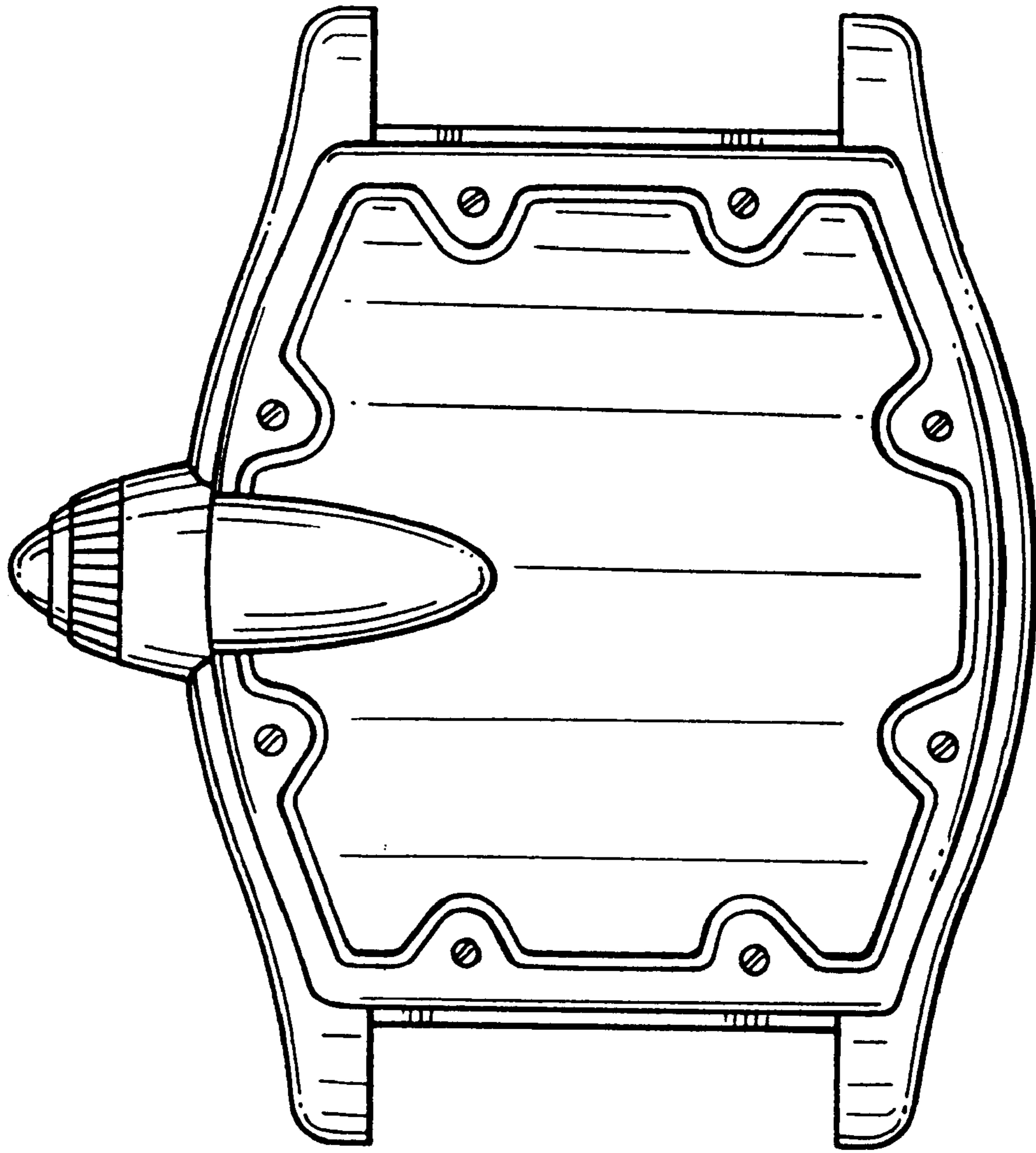


FIG. 3

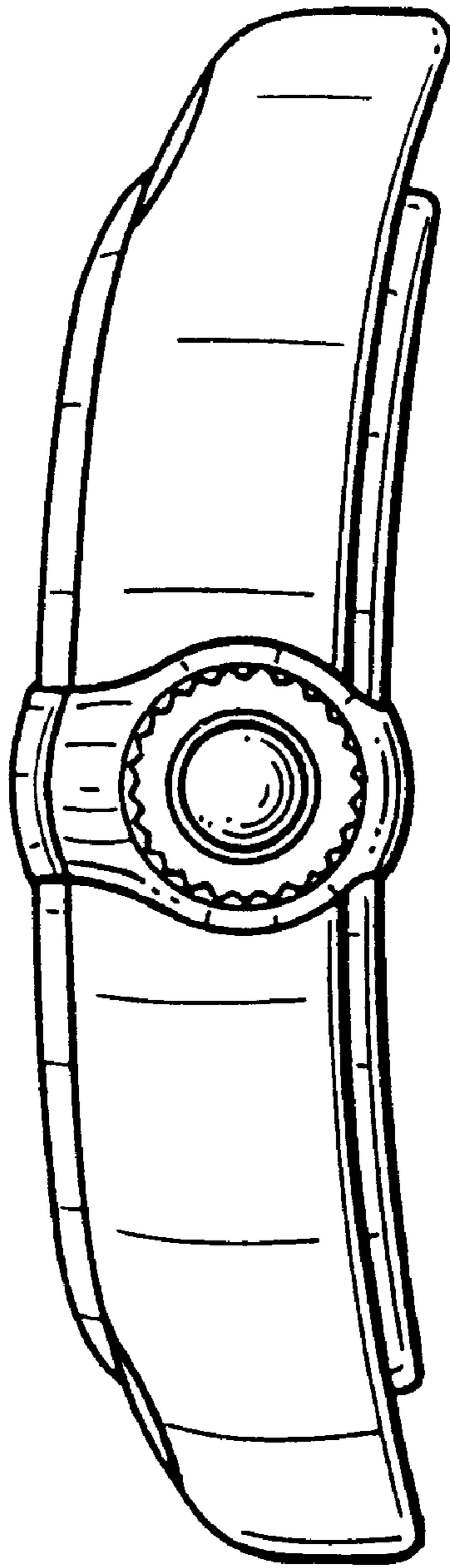


FIG. 4

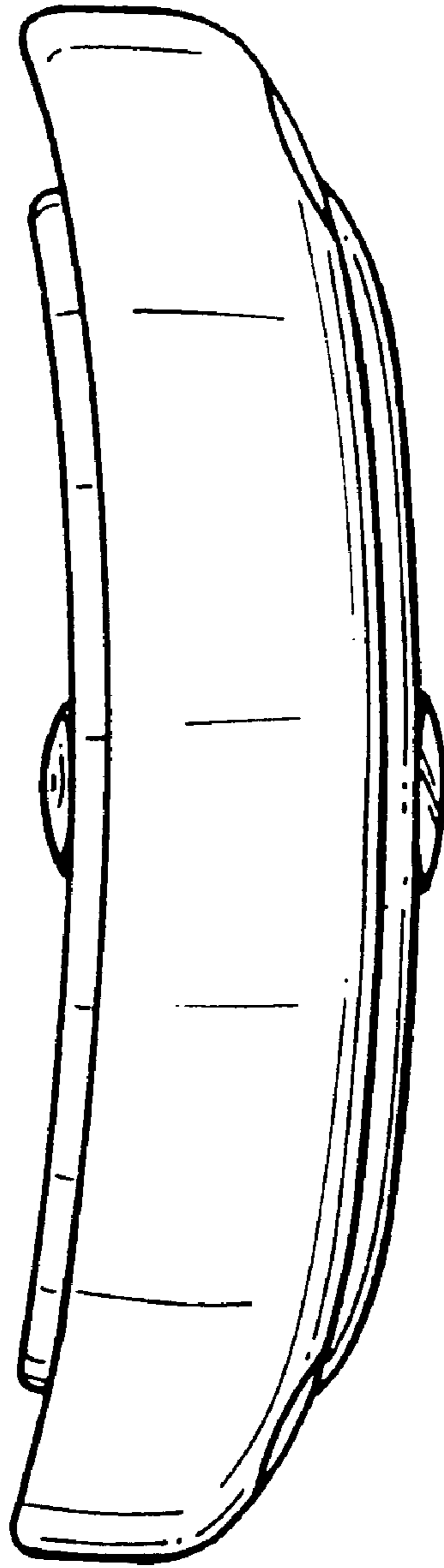


FIG. 5

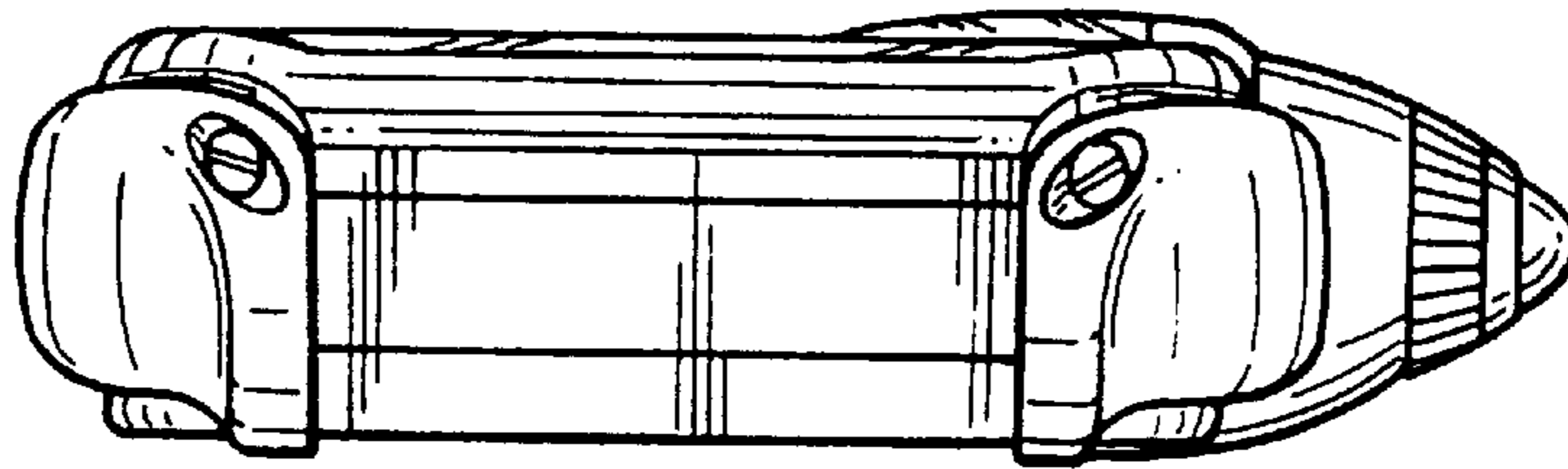


FIG. 6