



US00D422507S

United States Patent [19]

[11] **Patent Number: Des. 422,507**

Luzzi et al.

[45] **Date of Patent: ** Apr. 11, 2000**

[54] **COMBINED PERFUME BOTTLE AND CAP**

Attorney, Agent, or Firm—Fulbright & Jaworski, LLP

[75] Inventors: **Robert Luzzi; John Fling**, both of New York, N.Y.; **Kathy Phelon**, Maplewood, N.J.; **Patricia Ficalora**, Brooklyn, N.Y.

[57] **CLAIM**

The ornamental design for a combined perfume bottle and cap, as shown and described.

[73] Assignee: **Estee Lauder Inc.**, New York, N.Y.

DESCRIPTION

[**] Term: **14 Years**

FIG. 1 is a perspective view of the design for a combined perfume bottle and cap according to the invention;

[21] Appl. No.: **29/091,772**

FIG. 2 is a top plan view of the design according to the invention;

[22] Filed: **Aug. 5, 1998**

FIG. 3 is an underside view of the design according to the invention;

[51] **LOC (6) Cl. 09-01**

[52] **U.S. Cl. D9/544**

[58] **Field of Search** D9/544, 545, 300, D9/574, 558, 435, 439, 443; 215/382, 383, 384

FIG. 4 is a side elevational view; the opposite side elevational view is the same;

FIG. 5 is a front elevational view; the rear elevational view is the same;

[56] **References Cited**

U.S. PATENT DOCUMENTS

D. 48,489	2/1916	Eberhardt	D9/544
D. 70,623	7/1926	Morrison	D9/544
D. 173,880	1/1955	Olifiers	D9/544
D. 312,399	11/1990	Desgrippes	D9/544
D. 313,748	1/1991	Dinand	D9/575
D. 387,994	12/1997	Heinz	D9/545

FIG. 6 is a perspective view of a second embodiment of the design according to the invention;

FIG. 7 is a top plan view of a second embodiment;

FIG. 8 is an underside view of a second embodiment of the design according to the invention;

FIG. 9 is a side elevational of a second embodiment; the opposite side elevational view is the same; and,

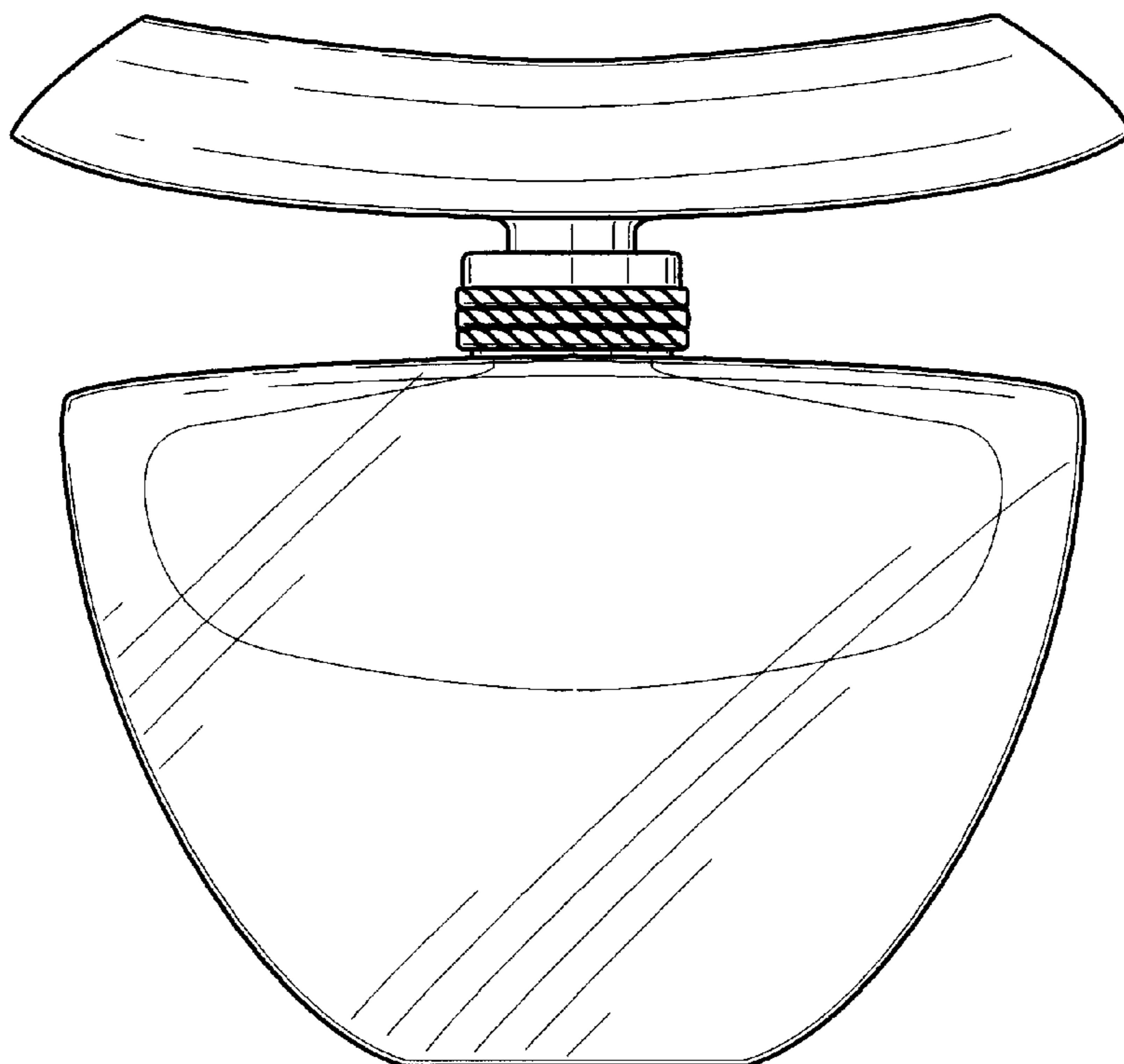
OTHER PUBLICATIONS

drug and Cosmetic Industry, p. 58, W. Braun bottle "Jashmin", Apr. 1989.

FIG. 10 is a front elevational view of a second embodiment; the rear elevational view is the same.

Primary Examiner—Lucy Lieberman

1 Claim, 6 Drawing Sheets



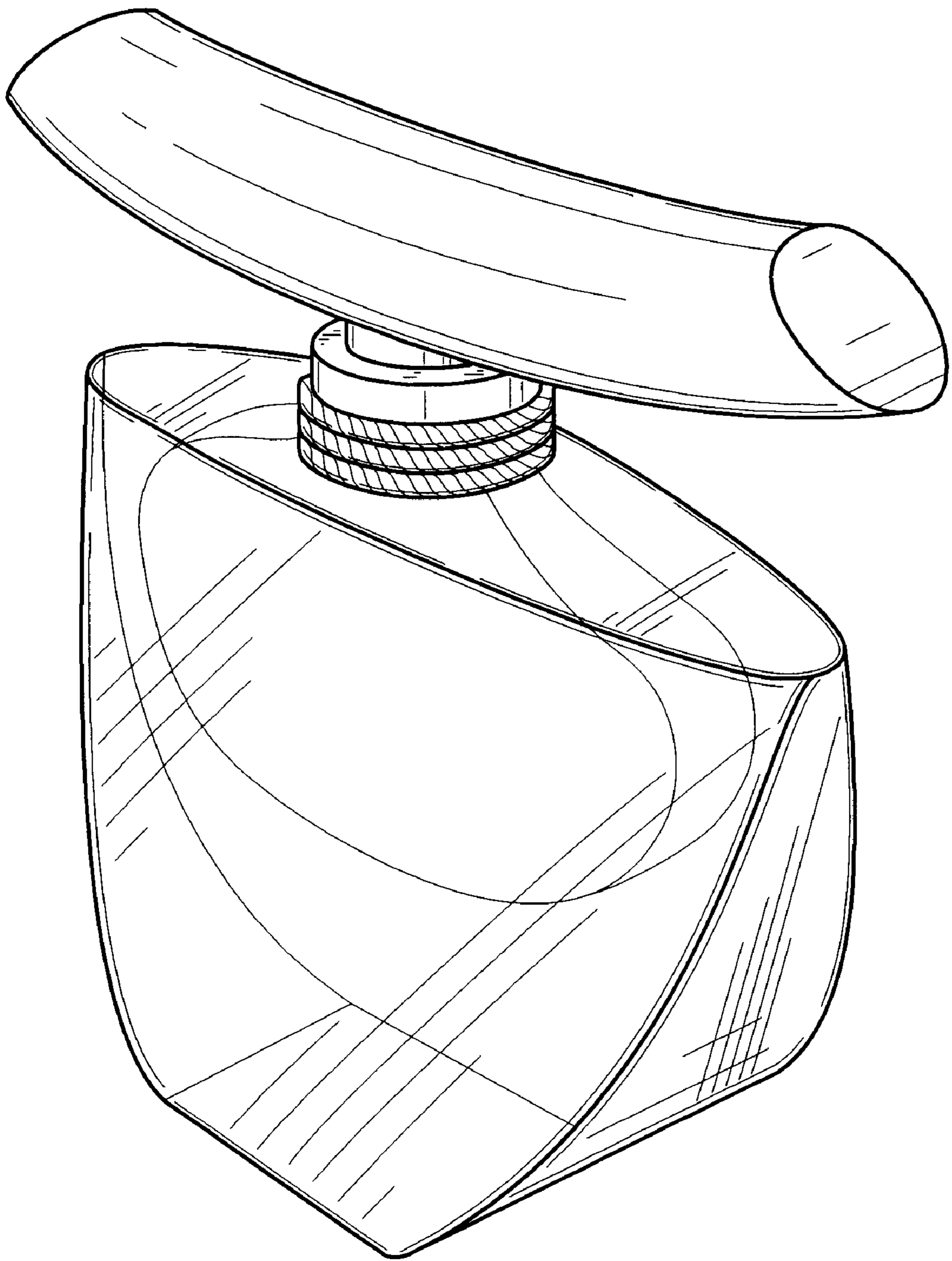


FIG. 1

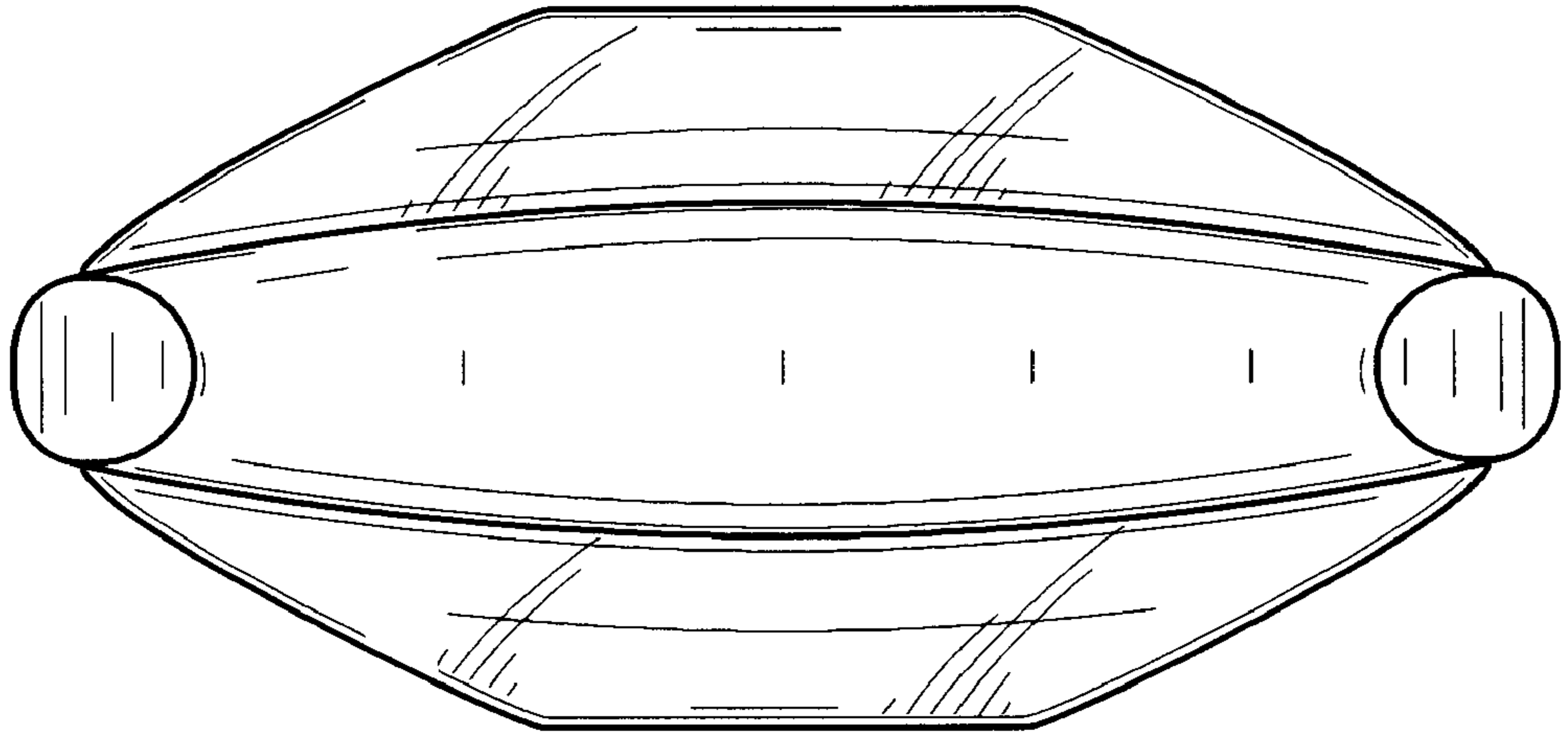


FIG. 2

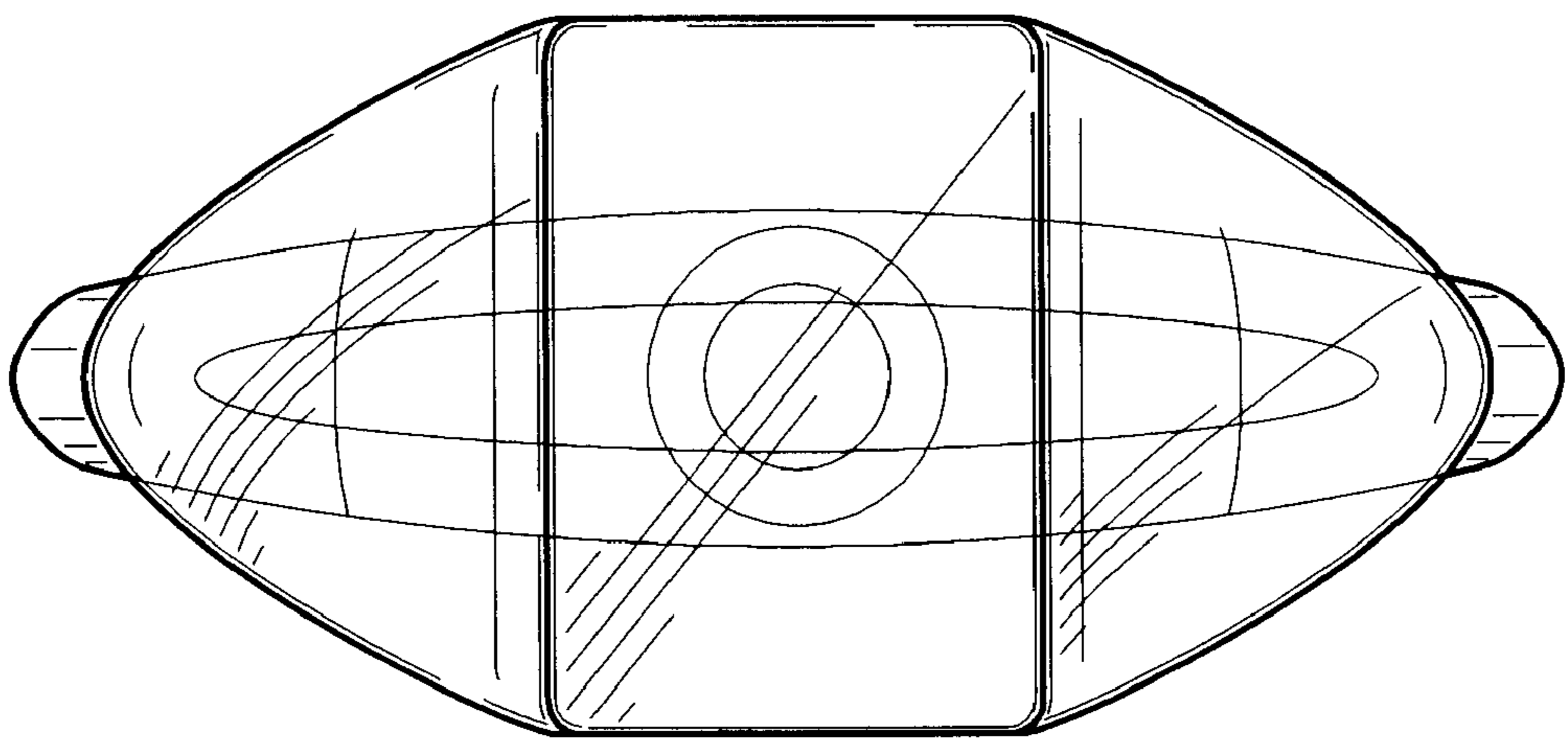


FIG. 3

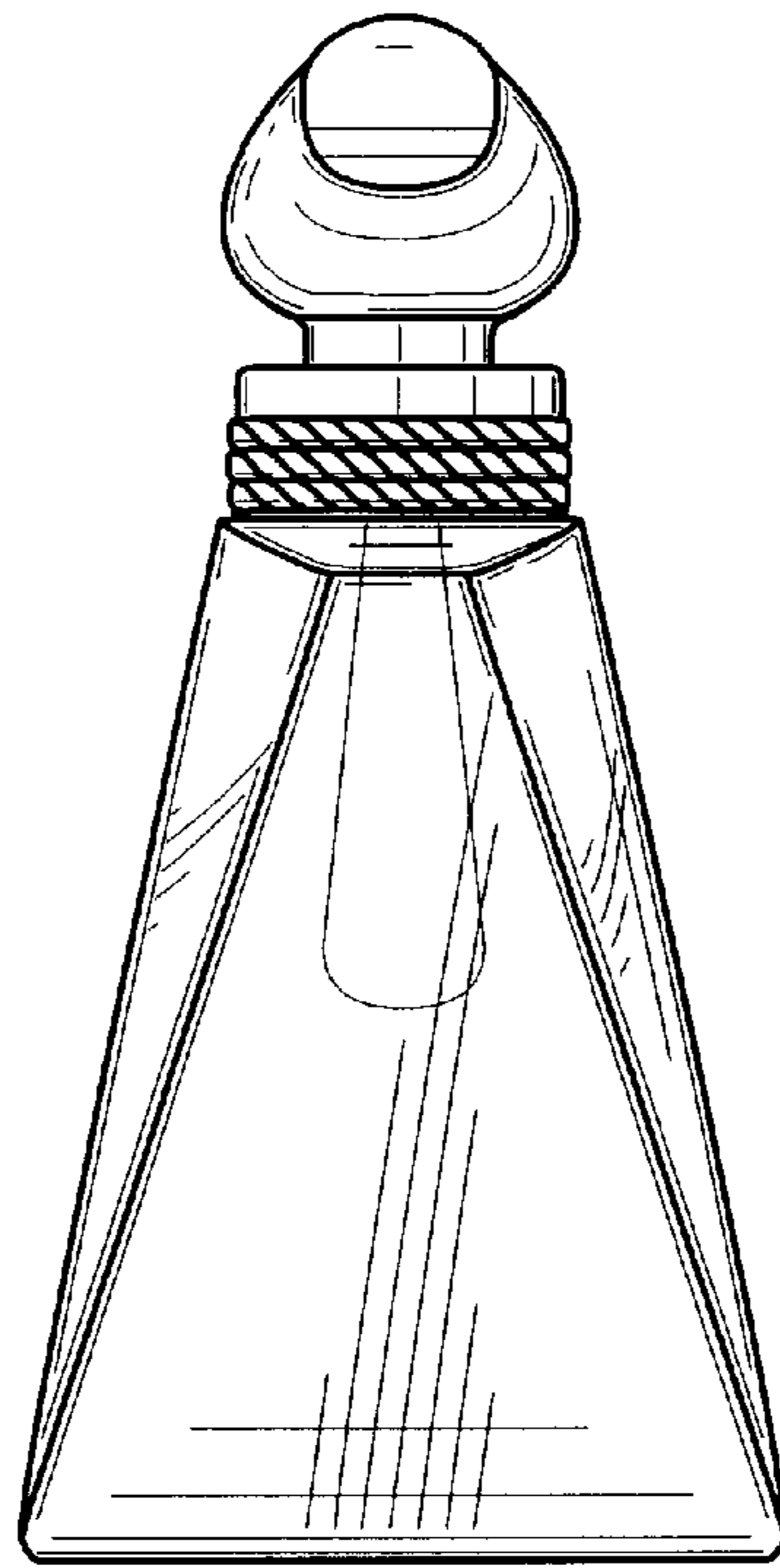


FIG. 4

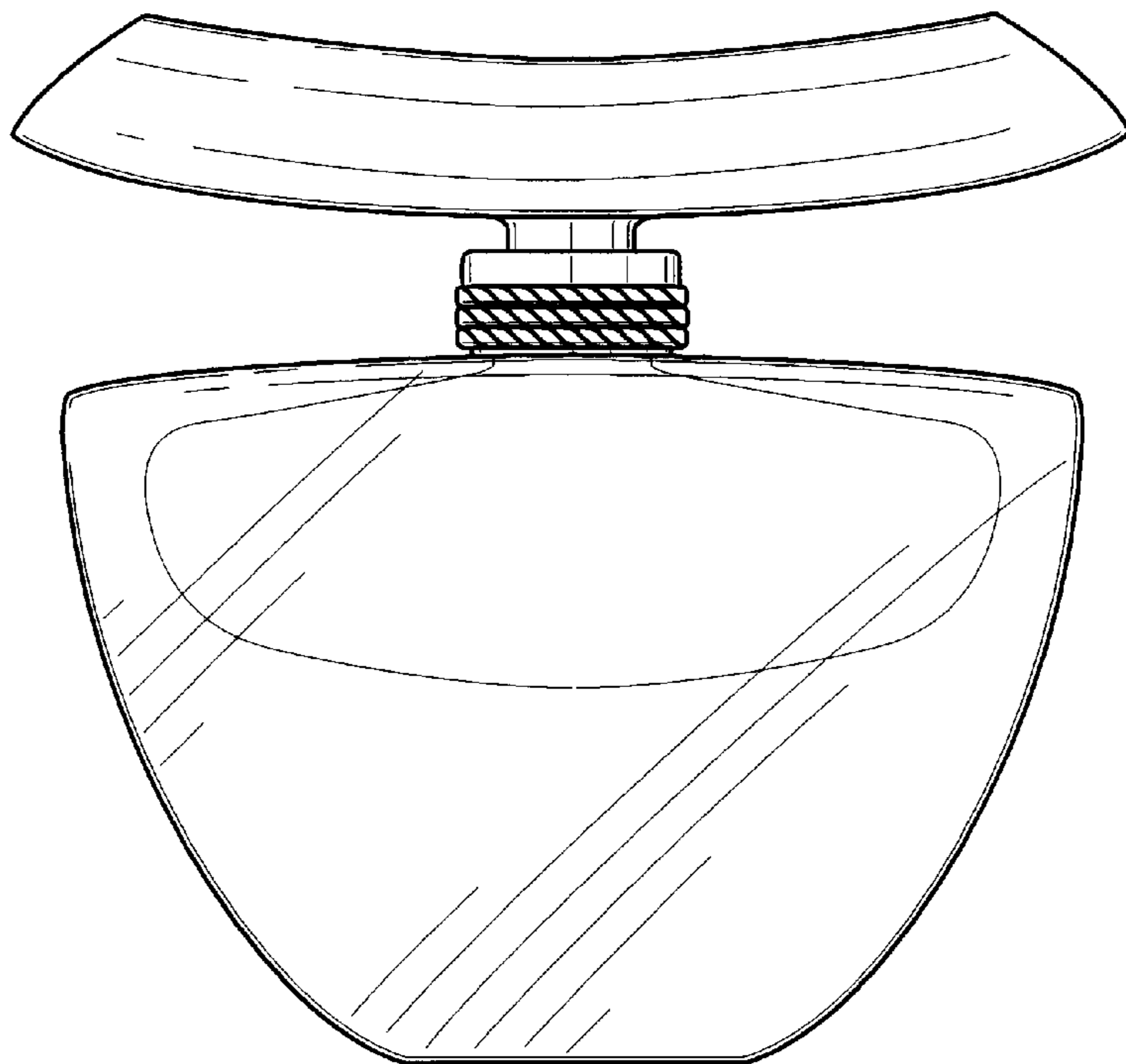


FIG. 5

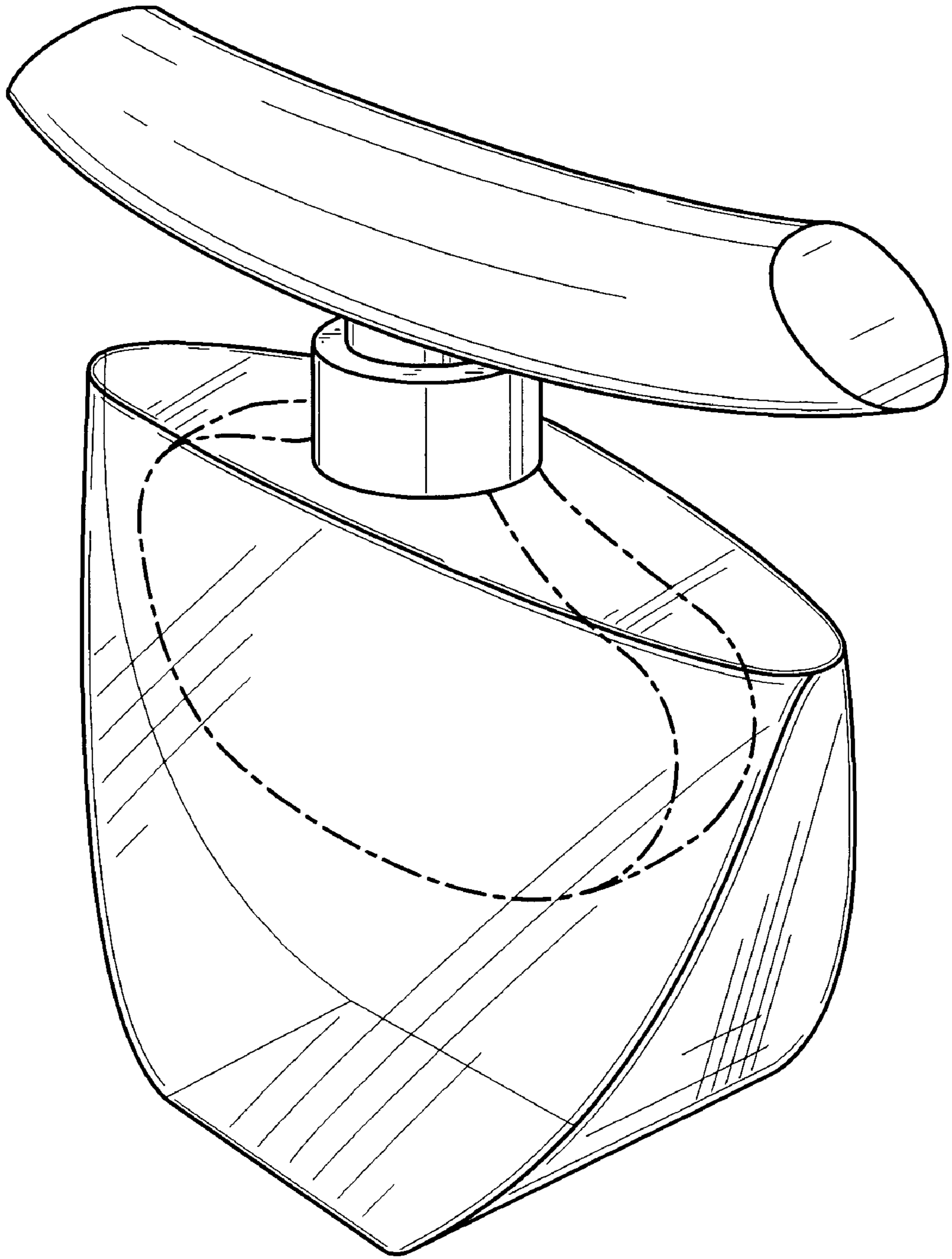


FIG. 6

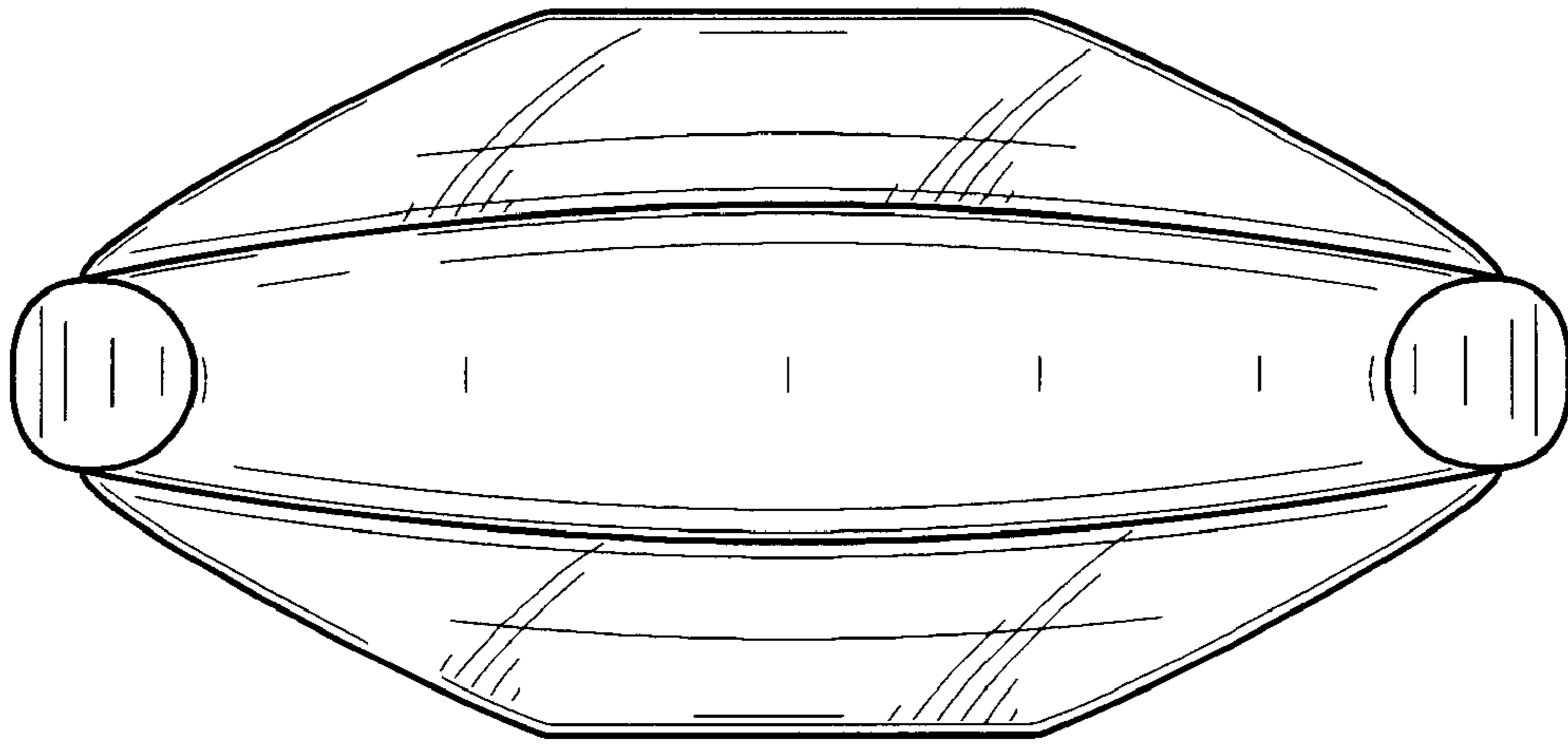


FIG. 7

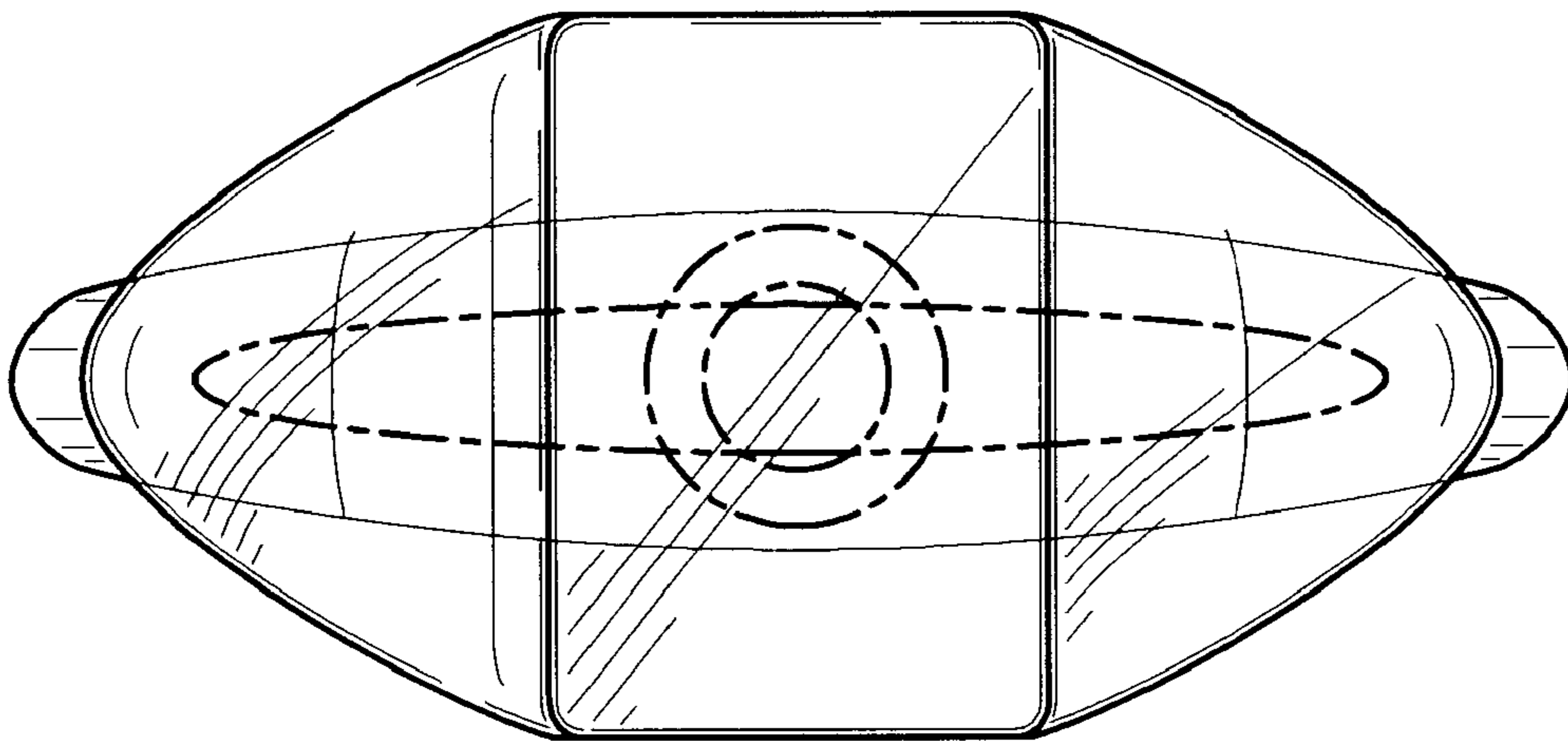


FIG. 8

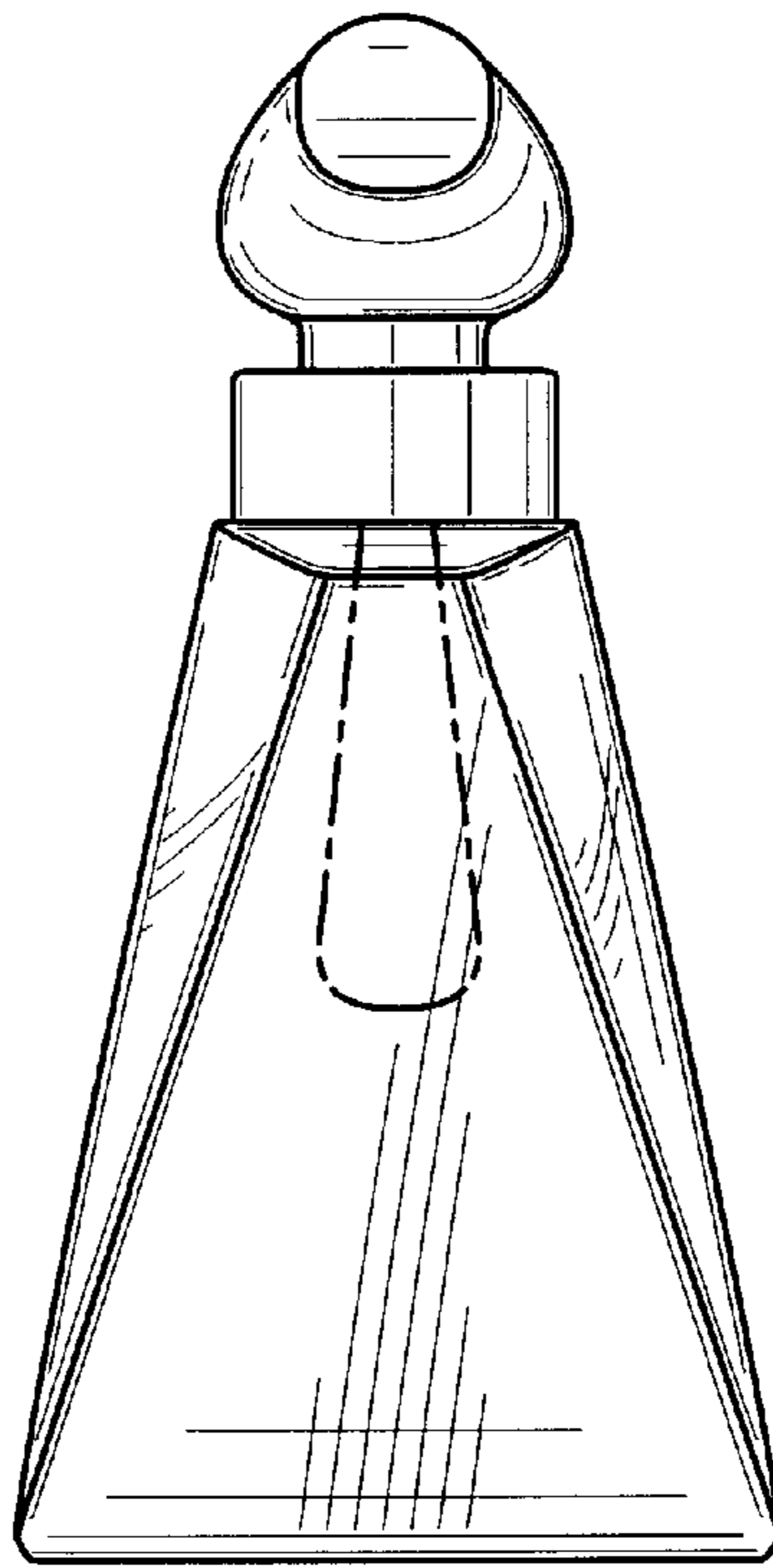


FIG. 9

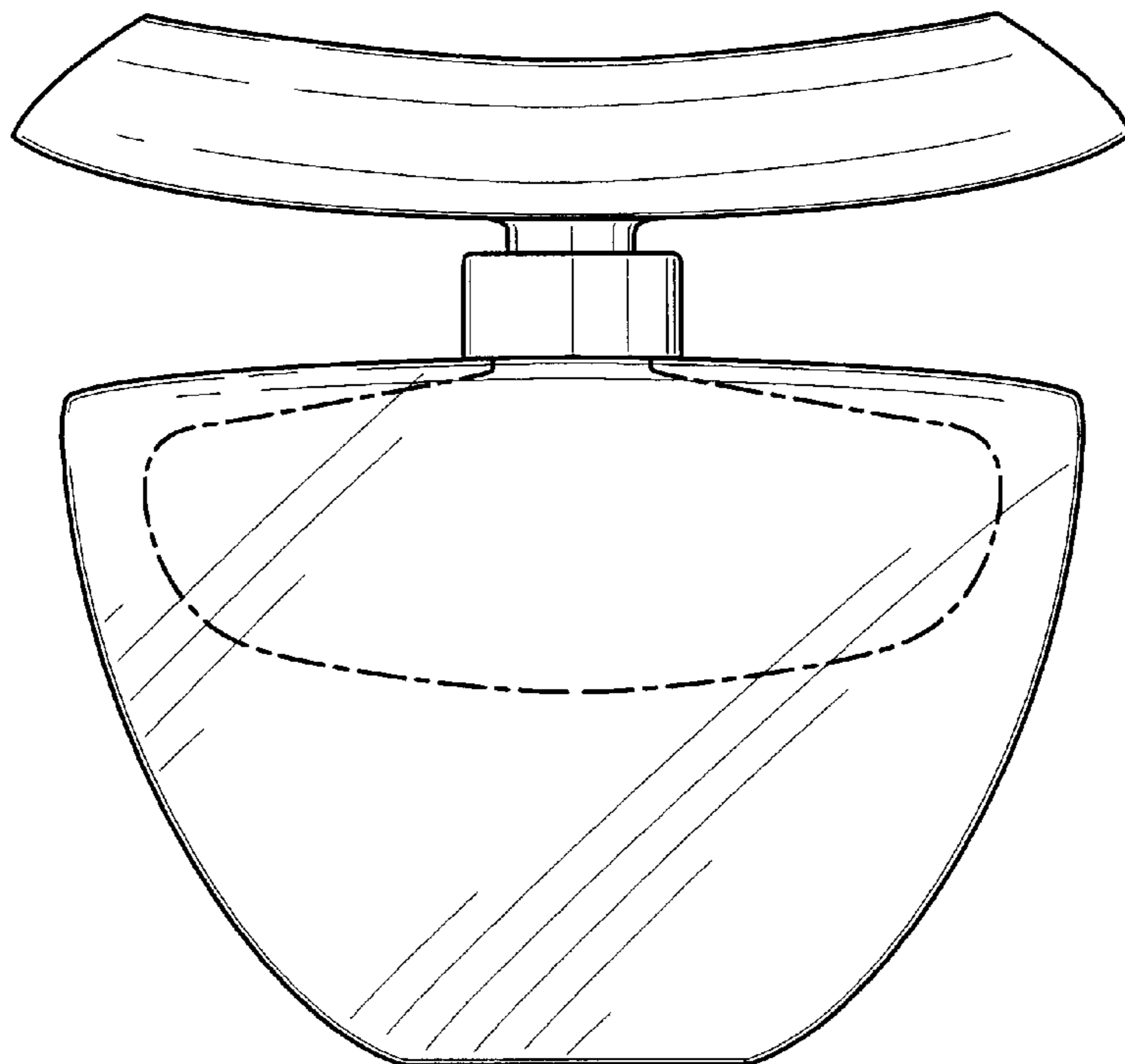


FIG. 10