



US00D422488S

United States Patent [19]
Gates

[11] **Patent Number: Des. 422,488**

[45] **Date of Patent: ** Apr. 11, 2000**

[54] **TUBE WITH WRAP-AROUND TUBE TABS FOR DISPENSING**

[76] Inventor: **James T. Gates**, 3106 Northwest Blvd., Columbus, Ohio 43221

[**] Term: **14 Years**

[21] Appl. No.: **29/090,112**

[22] Filed: **Jun. 30, 1998**

[51] **LOC (6) Cl.** **09-01**

[52] **U.S. Cl.** **D9/302**

[58] **Field of Search** D9/302, 306; D28/7; 222/1, 92, 99, 100, 103, 105, 107, 212, 215, 522, 525, 528, 531, 546, 556

[56] **References Cited**

U.S. PATENT DOCUMENTS

D. 338,396	8/1993	Olson	D9/302
D. 350,065	8/1994	Edge et al.	D9/302
3,920,157	11/1975	Yeung	222/100
4,807,782	2/1989	Meinerding et al.	222/1
5,275,311	1/1994	Piarrat	222/105 X
5,373,968	12/1994	Nelson	222/99
5,579,956	12/1996	Seale	222/107

Primary Examiner—Cathron B. Matta

Attorney, Agent, or Firm—Christen M. Millard; Kremblas, Foster, Millard & Pollick

[57] **CLAIM**

The ornamental design for a tube with wrap-around tube tabs for dispensing, as shown and described.

DESCRIPTION

FIG. 1 is a front view of tube with wrap-around tube tabs for dispensing according to the invention, heat sealed to the bottom of the tube, the back view being a mirror image thereof;

FIG. 2 is a side view of the tube with wrap-around tube tabs for dispensing of FIG. 1, the other side being a mirror image thereof;

FIG. 3 is a top end view of the tube with wrap-around tube tabs for dispensing of FIG. 1;

FIG. 4 is a bottom end view of the tube with wrap-around tube tabs for dispensing of FIG. 1;

FIG. 5 is a front view of the tube with wrap-around tube tabs for dispensing including a phantom thumb for advancing a substance internal to the tube towards the top of the tube; and,

FIG. 6 is an enlarged perspective view of the tube with wrap-around tube tabs for dispensing of FIG. 1, showing the tube in a partially flattened position and the tabs in a bent state.

1 Claim, 3 Drawing Sheets

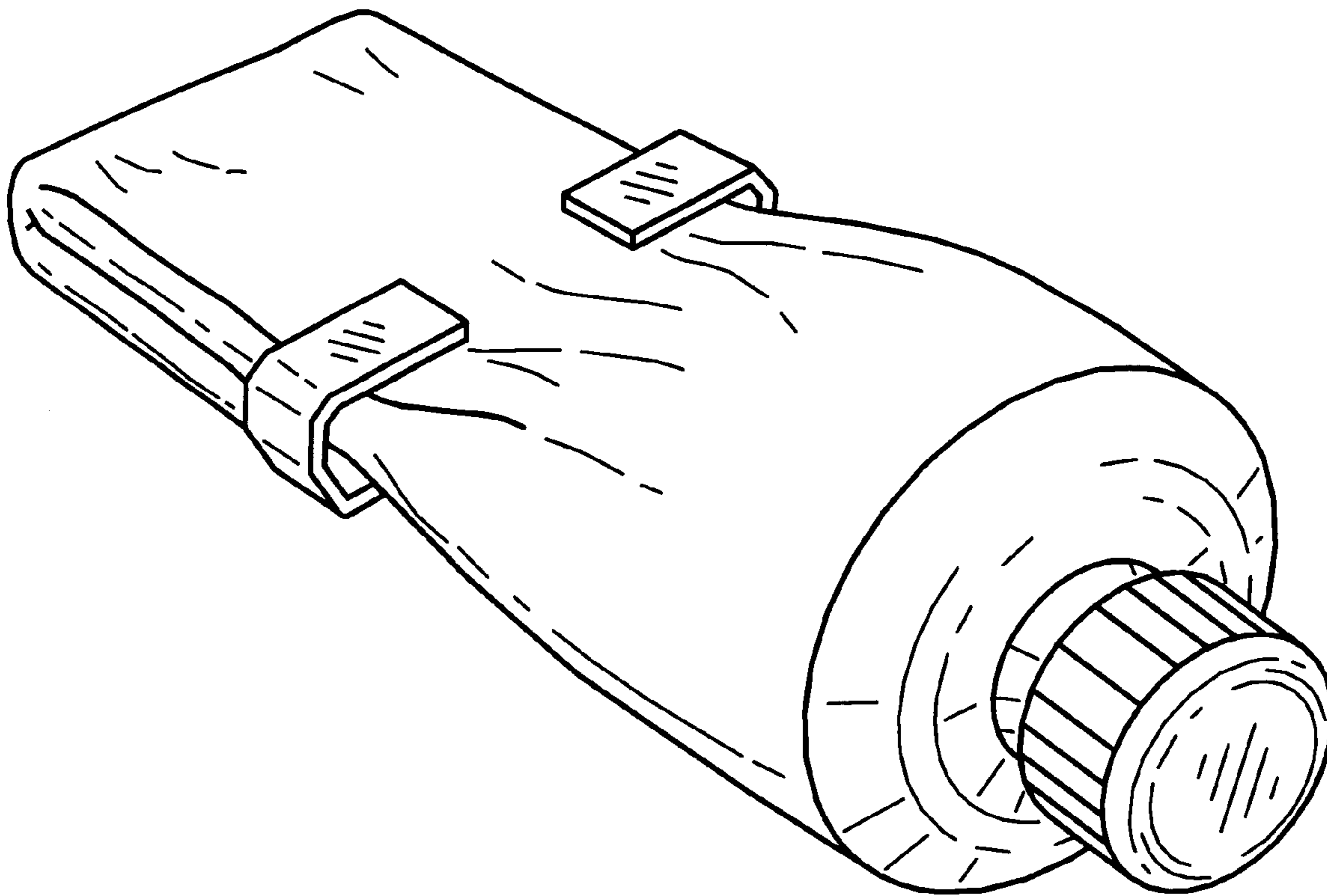


Fig. 1

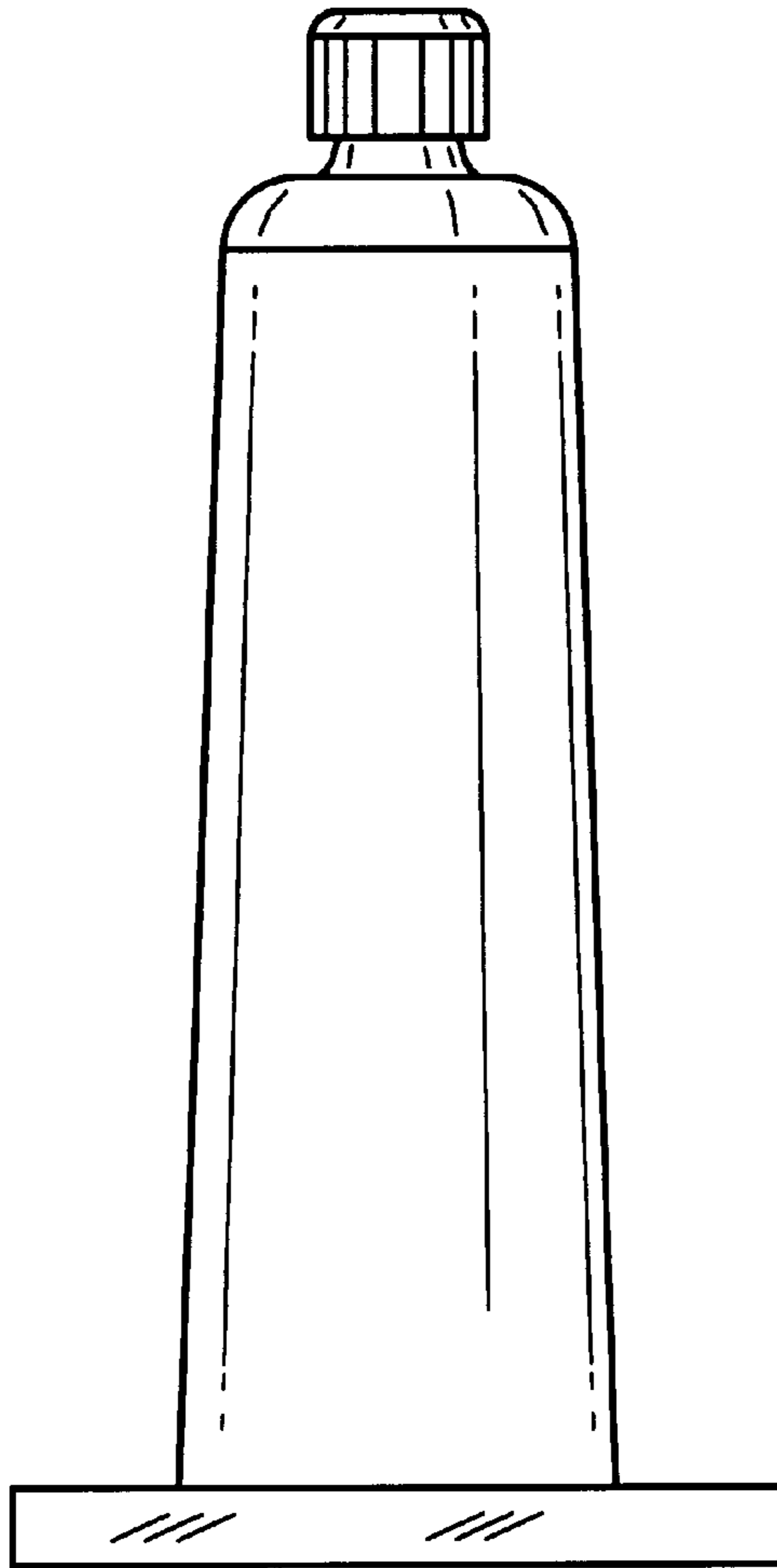


Fig. 2

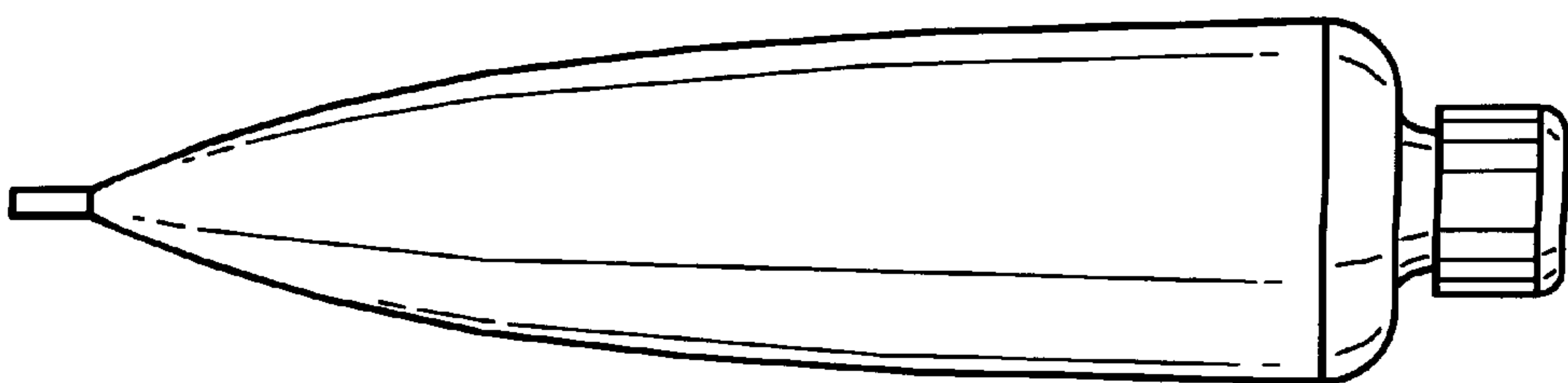


Fig. 3

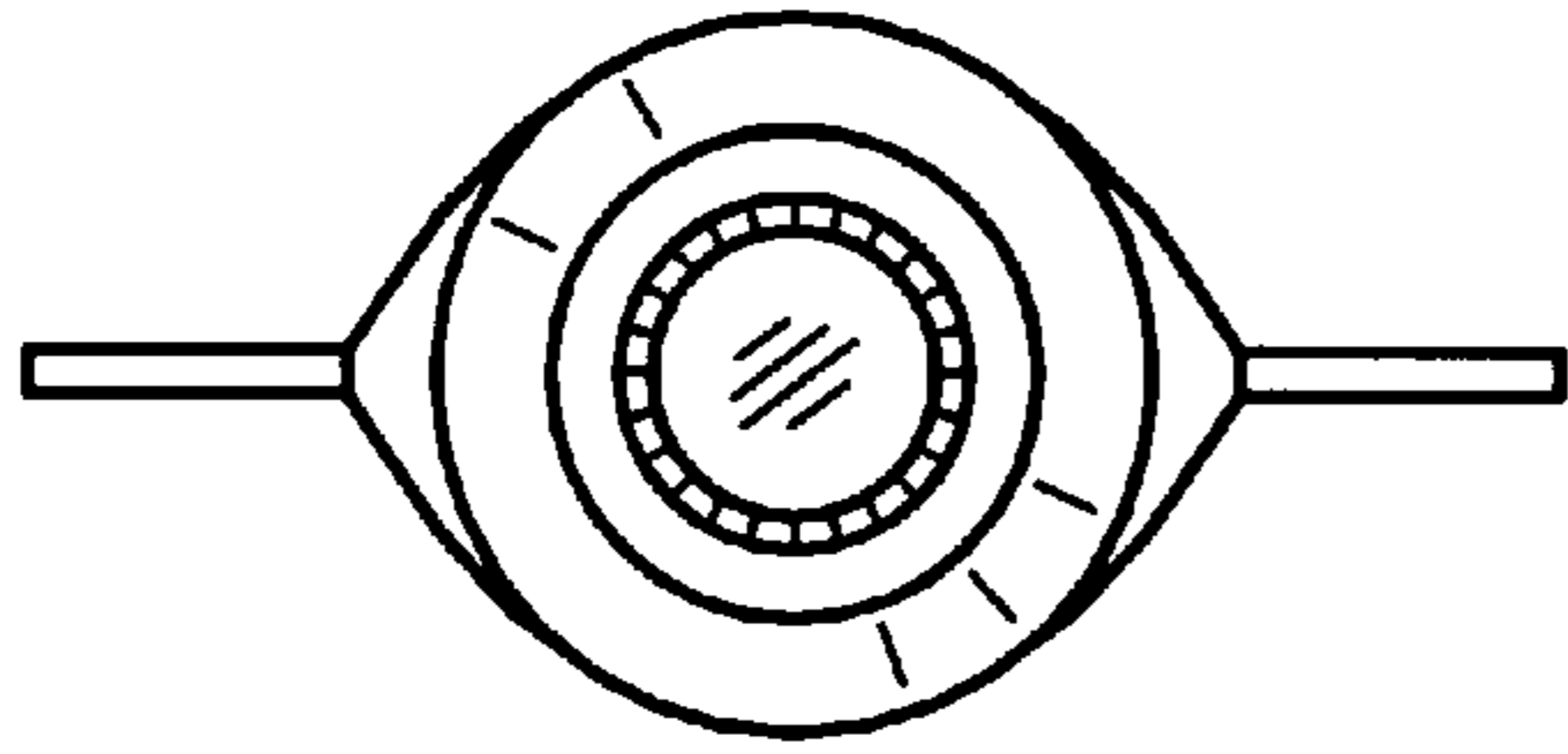


Fig. 4

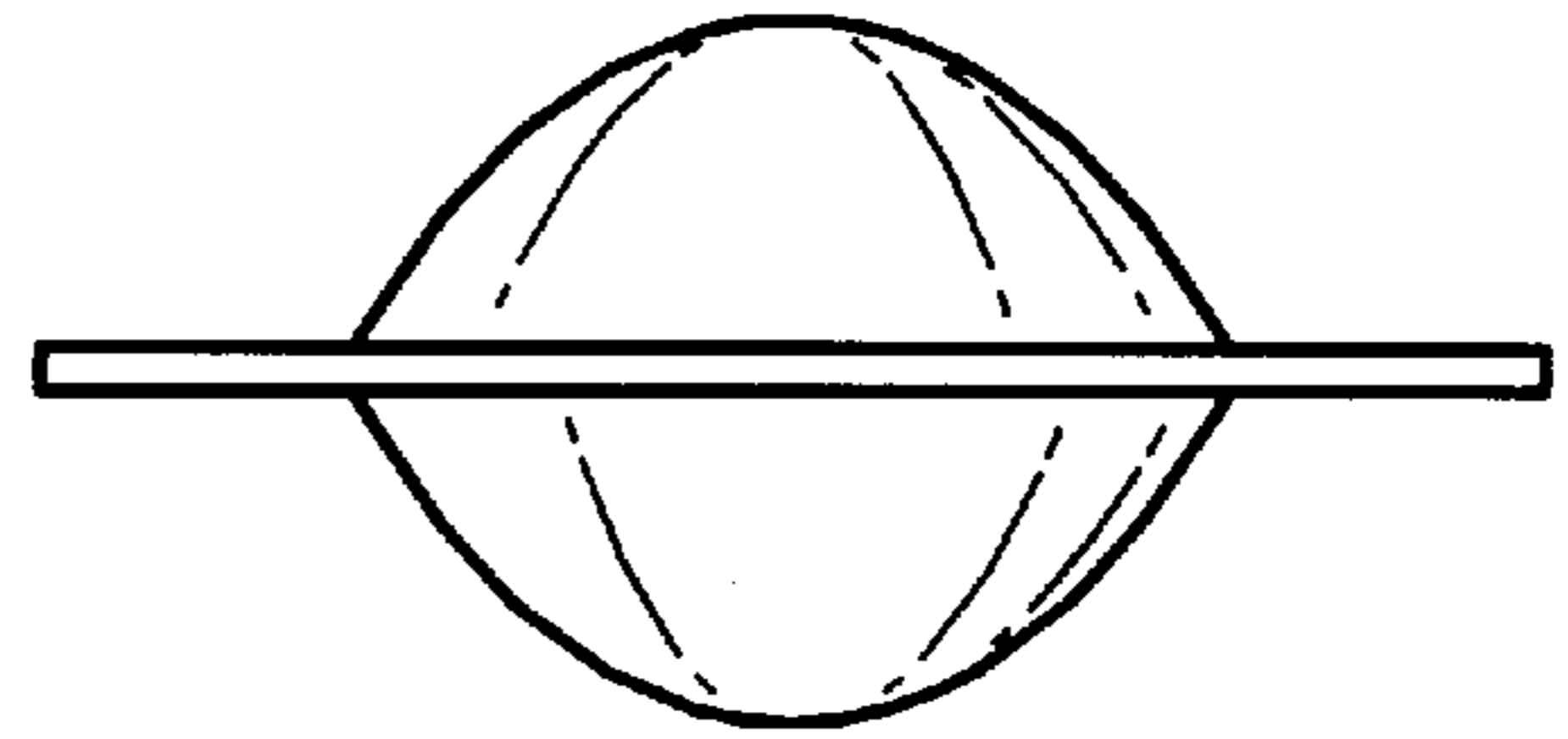


Fig. 5

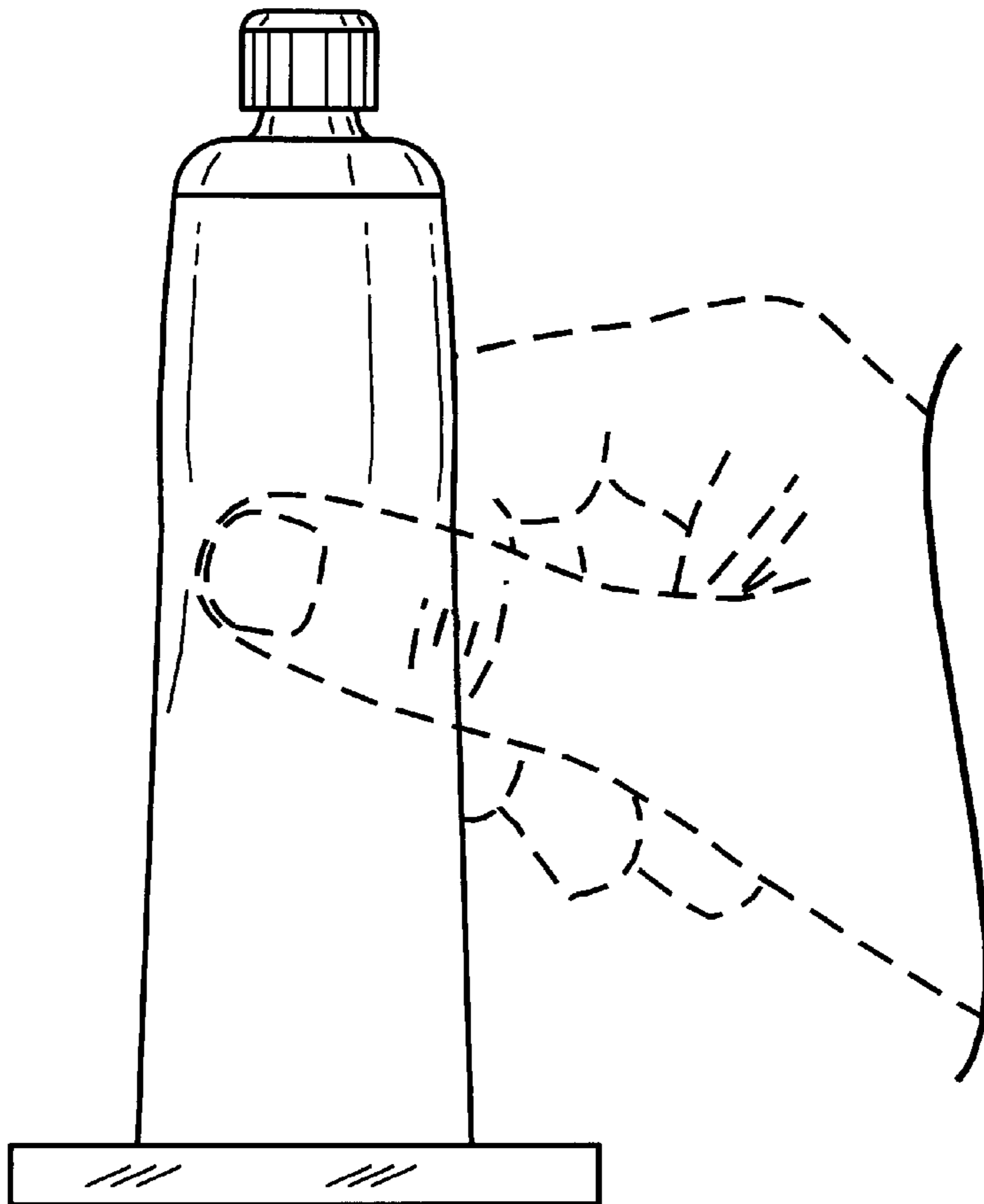


Fig. 6

