



US00D422486S

United States Patent [19]
Wolfe et al.

[11] **Patent Number: Des. 422,486**
[45] **Date of Patent: ** Apr. 11, 2000**

[54] **CEILING GRID WALL CLIP**
[75] Inventors: **Michael J. Wolfe**, Portage; **Don M. Washecheck**; **Noel R. Halverson**, both of Stoughton, all of Wis.
[73] Assignee: **Keel Manufacturing, Inc.**, Sun Prairie, Wis.
[**] Term: **14 Years**

4,580,387 4/1986 Rogers 52/489.1
4,843,784 7/1989 Menthetti .

Primary Examiner—B. J. Bullock
Attorney, Agent, or Firm—Sokol Law Office; Jeffrey S. Sokol

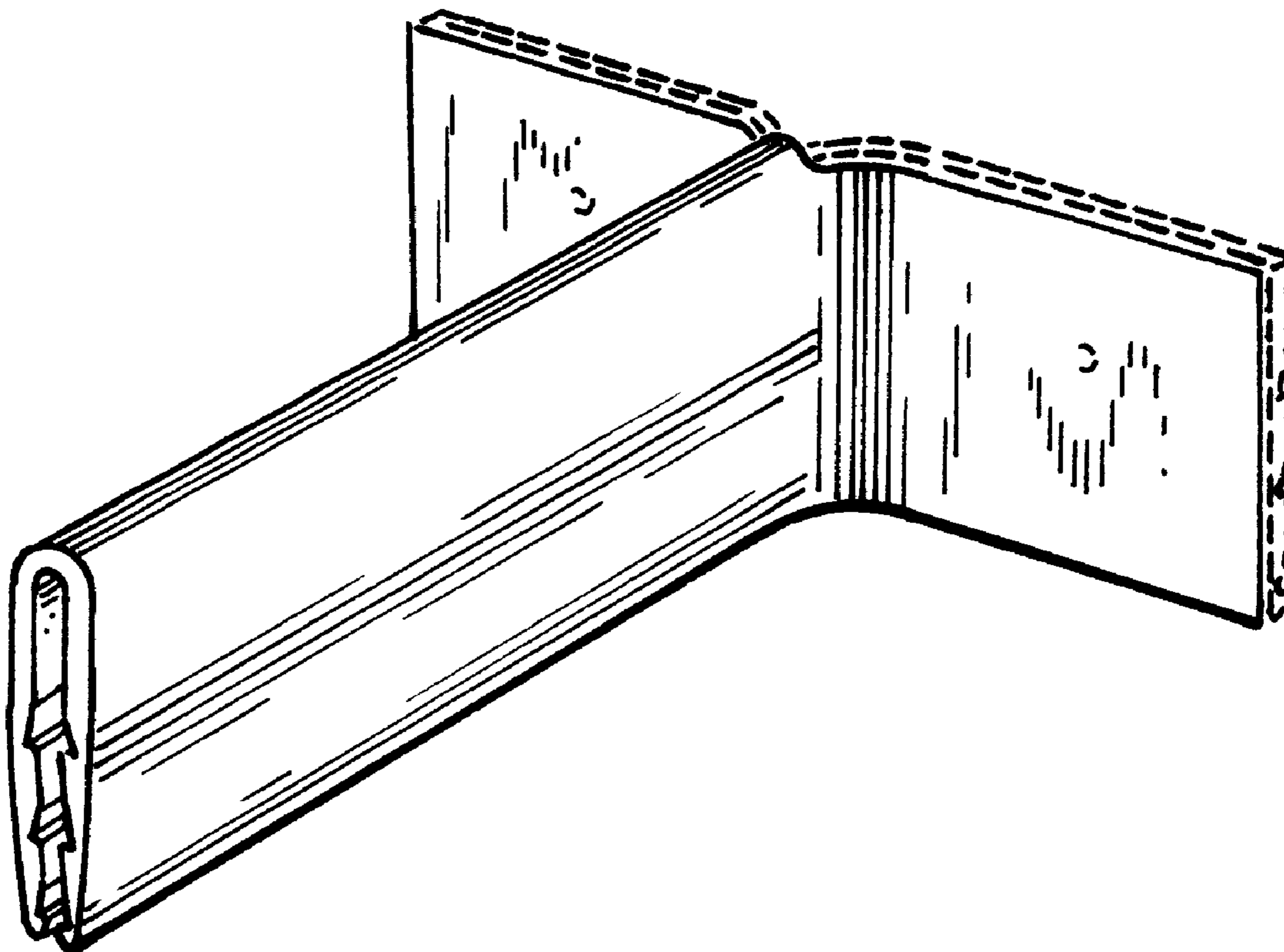
[21] Appl. No.: **29/083,146**
[22] Filed: **Feb. 5, 1998**
[51] **LOC (6) Cl.** **08-08**
[52] **U.S. Cl.** **D8/395**
[58] **Field of Search** D8/380, 394, 395;
52/127.5, 689.2, 733.1, 800.1, 712, 714,
489.1, 562, 772, 773, 629, 601, 483.1

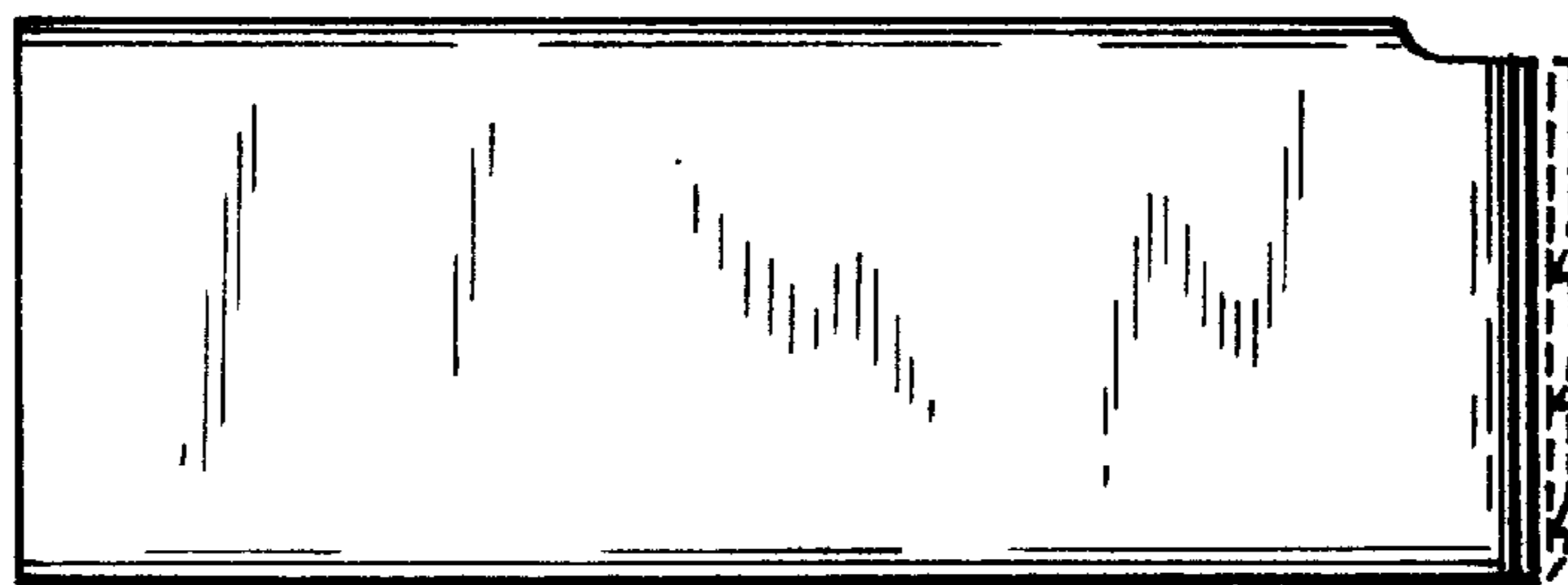
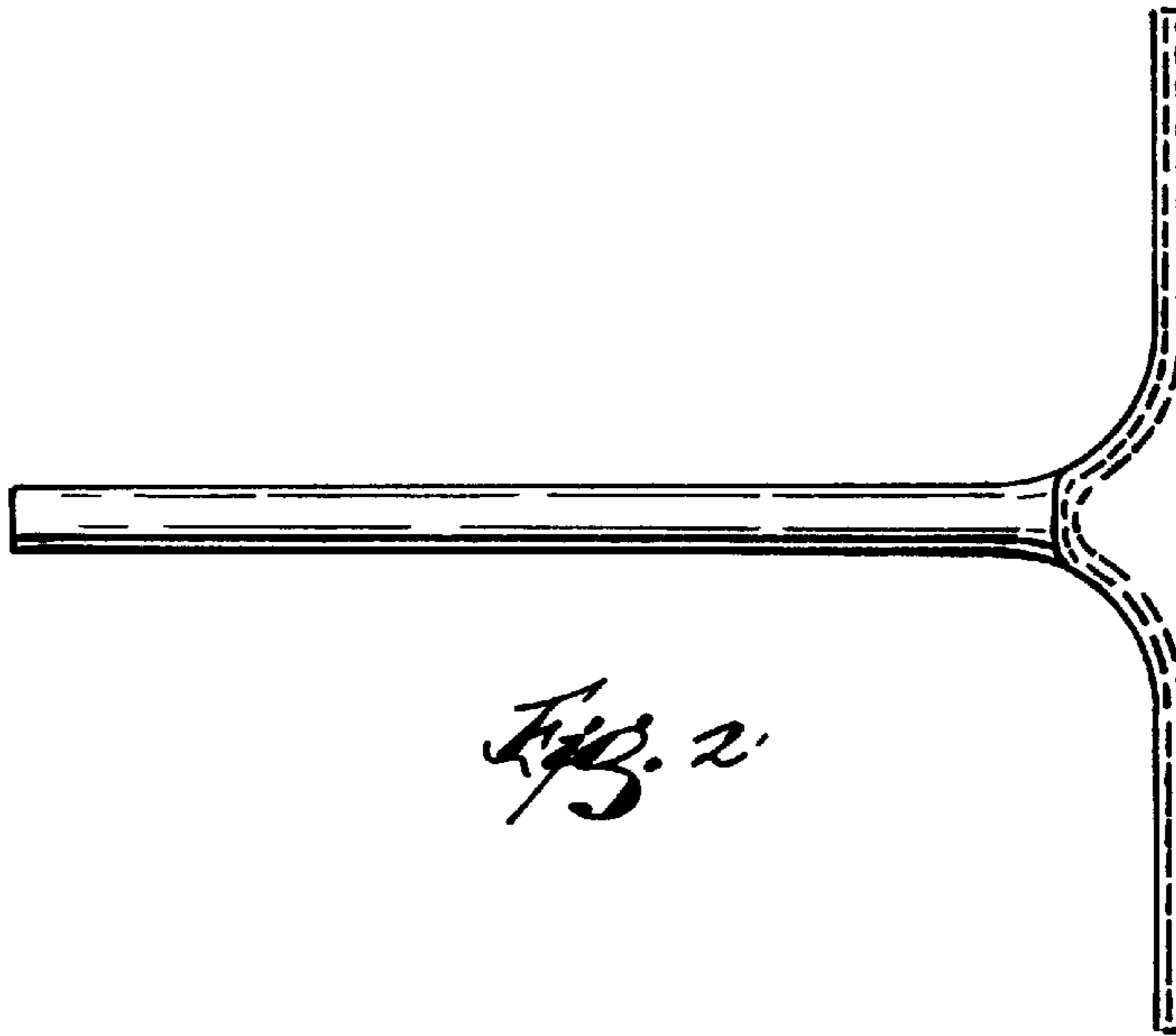
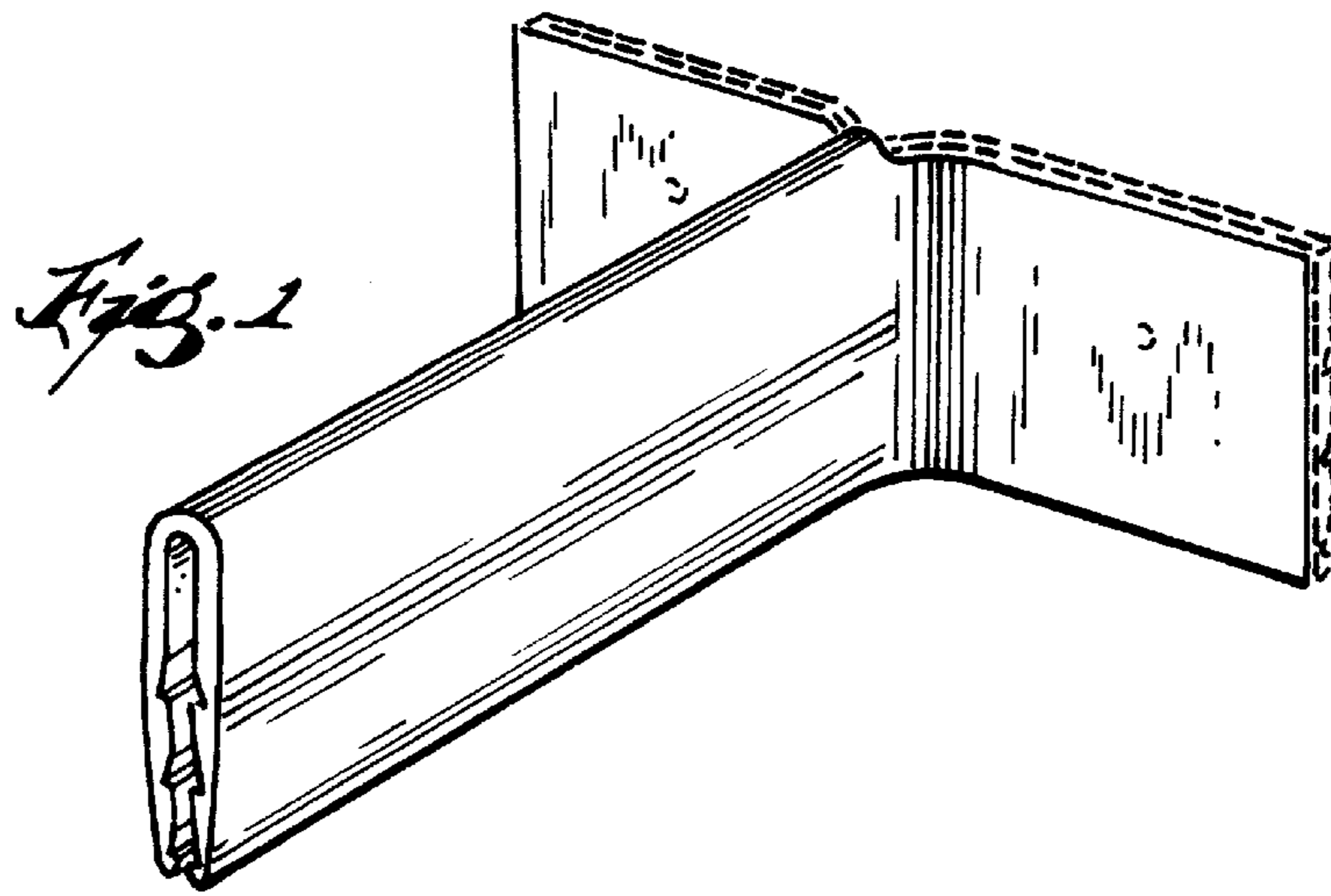
[57] **CLAIM**
The ornamental design of a ceiling grid wall clip, as shown and described.

[56] **References Cited**
U.S. PATENT DOCUMENTS
D. 59,670 11/1921 Moser .
723,730 3/1903 Reilly et al. .
770,616 9/1904 Waite .
1,779,346 10/1930 Trachte .
3,263,388 8/1966 Bogert .
3,557,513 1/1971 Girard 52/629
3,965,639 6/1976 Boarini 52/629
4,201,025 5/1980 Williamson 52/489
4,472,919 9/1984 Nourse 52/601

DESCRIPTION
FIG. 1 is a perspective view of the ceiling grid wall clip showing the new design;
FIG. 2 is a top, plan view of the ceiling grid wall clip showing the new design;
FIG. 3 is a side elevational view of the ceiling grid wall clip showing the new design;
FIG. 4 is a bottom, plan view of the ceiling grid wall clip showing the new design;
FIG. 5 is a front, elevational view of the ceiling grid wall clip showing the new design; and,
FIG. 6 is a rear, elevational view of the ceiling grid wall clip showing the new design.
The side opposite of that shown in FIG. 3 is a mirror image. The broken lines immediately adjacent the solid lines in FIGS. 1-4 represent the bounds of the claim but form no part thereof; all other broken lines are for illustrative purposes only also forming no part of the claim.

1 Claim, 2 Drawing Sheets





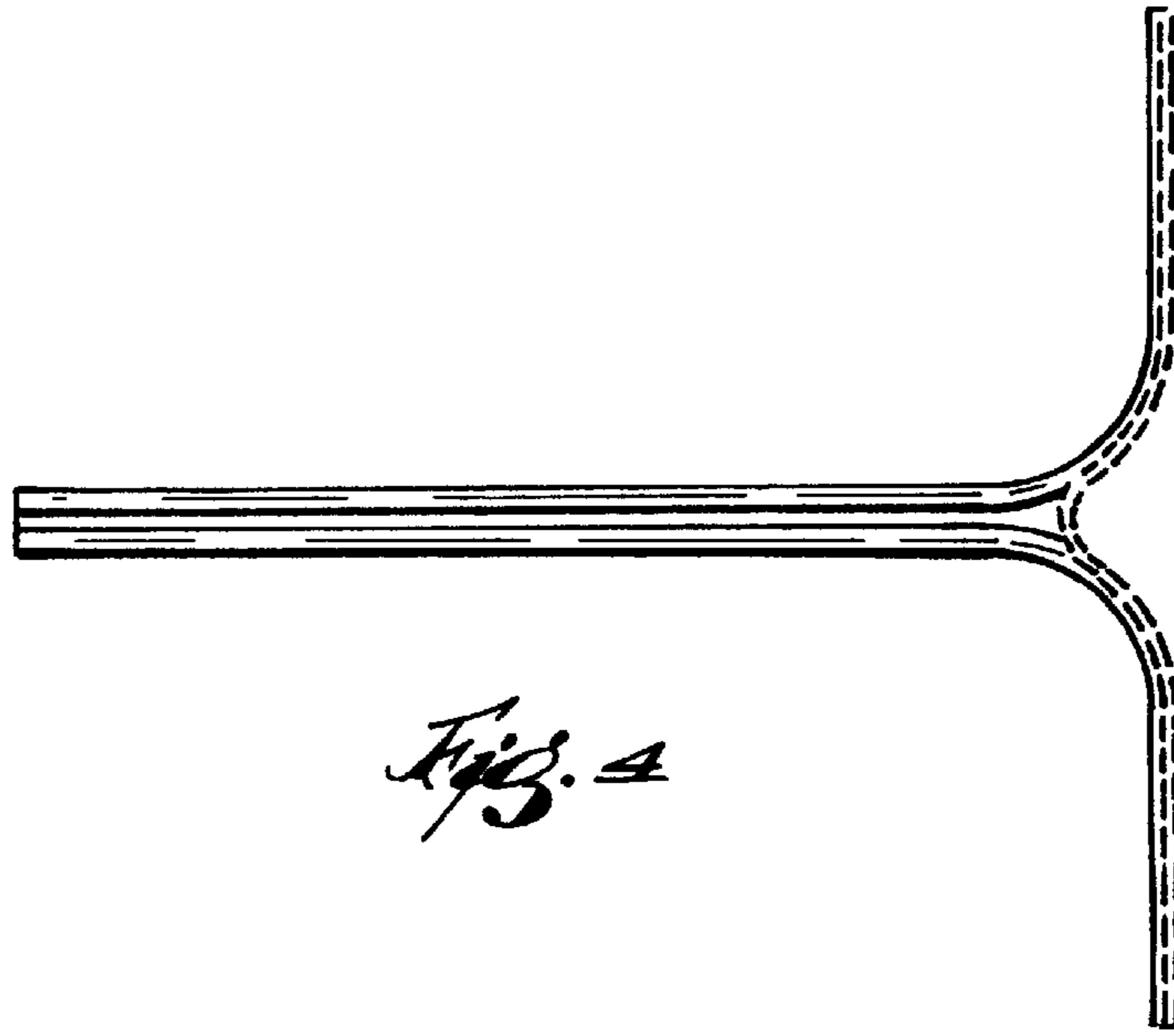


Fig. 4

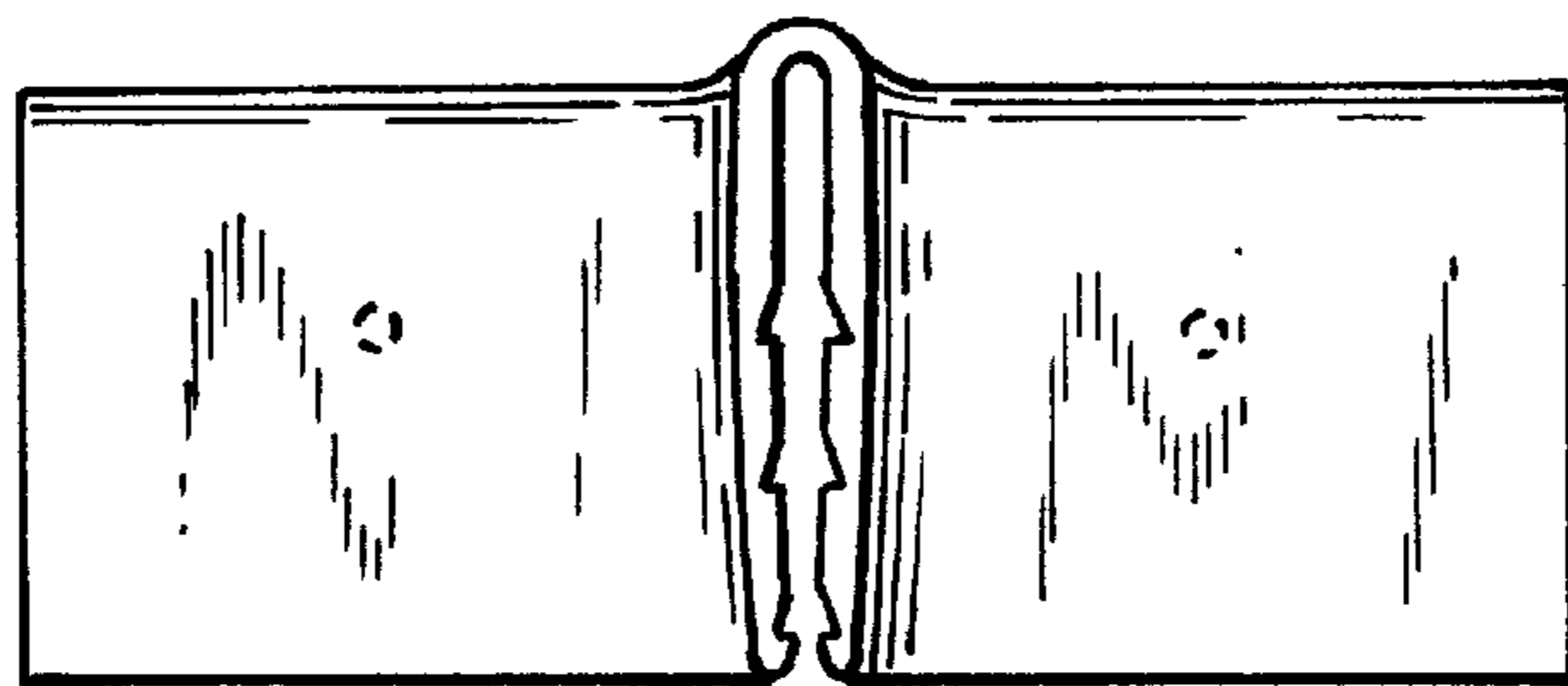


Fig. 5

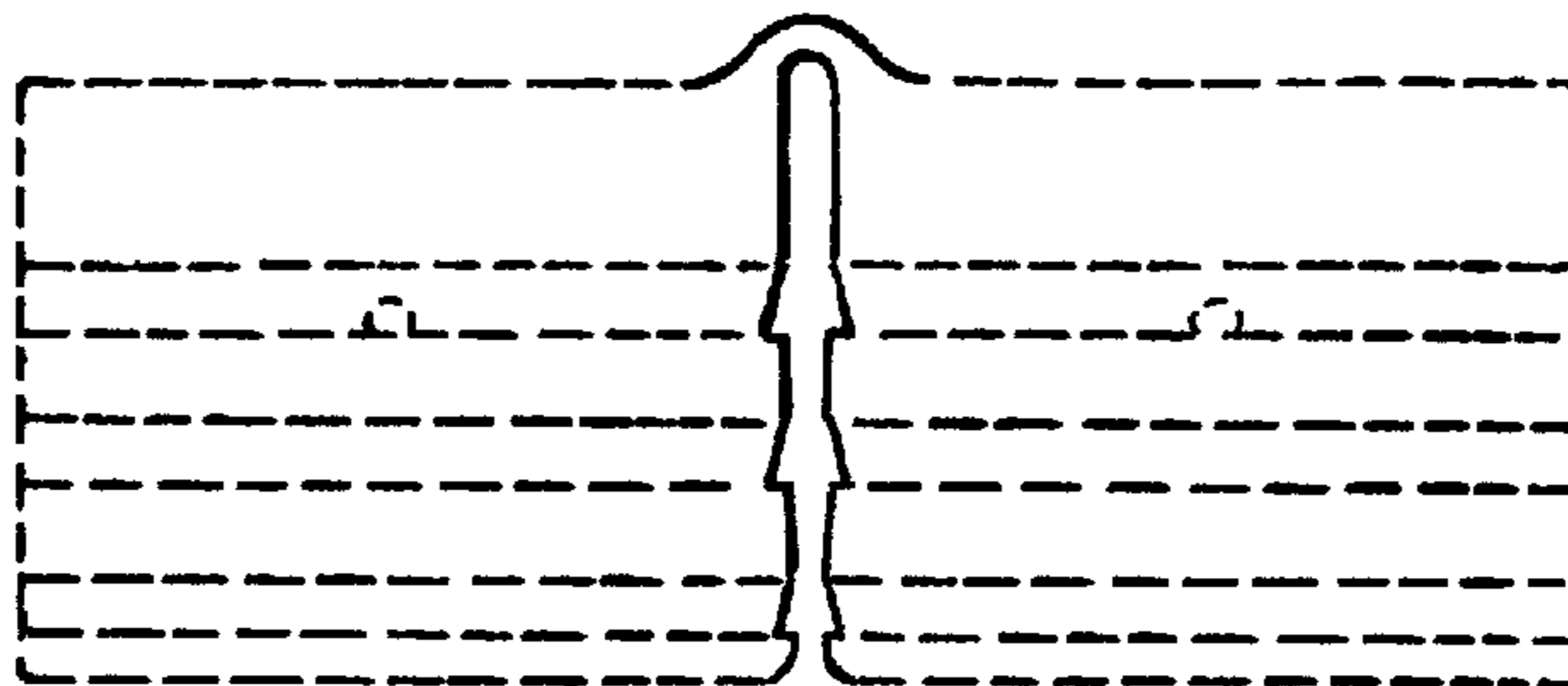


Fig. 6