



US00D422485S

United States Patent [19]
Lodi

[11] **Patent Number: Des. 422,485**

[45] **Date of Patent: ** Apr. 11, 2000**

[54] **SPACER STUD WITH A KEYSLOT LOCKING BASE**

[75] Inventor: **Frank Lodi**, Niles, Ill.

[73] Assignee: **Richco Inc.**, Chicago, Ill.

[**] Term: **14 Years**

[21] Appl. No.: **29/107,870**

[22] Filed: **Jul. 16, 1999**

[51] **LOC (6) Cl.** **08-08**

[52] **U.S. Cl.** **D8/387**

[58] **Field of Search** D8/387; 411/378,
411/411, 166, 178, 184, 188, 427

[56] **References Cited**

U.S. PATENT DOCUMENTS

- D. 265,174 6/1982 Boyle D8/387
- D. 296,188 6/1988 Herzog D8/387
- D. 310,956 10/1990 Huska D8/387

OTHER PUBLICATIONS

Machine Design, p. 288, bolt circled at top of page, Mar. 1963.

Machine Design, p. 176, insert item A located at top left of page, Mar. 1963.

Primary Examiner—Holly Baynham

Attorney, Agent, or Firm—Martin Faier; Faier & Faier P.C.

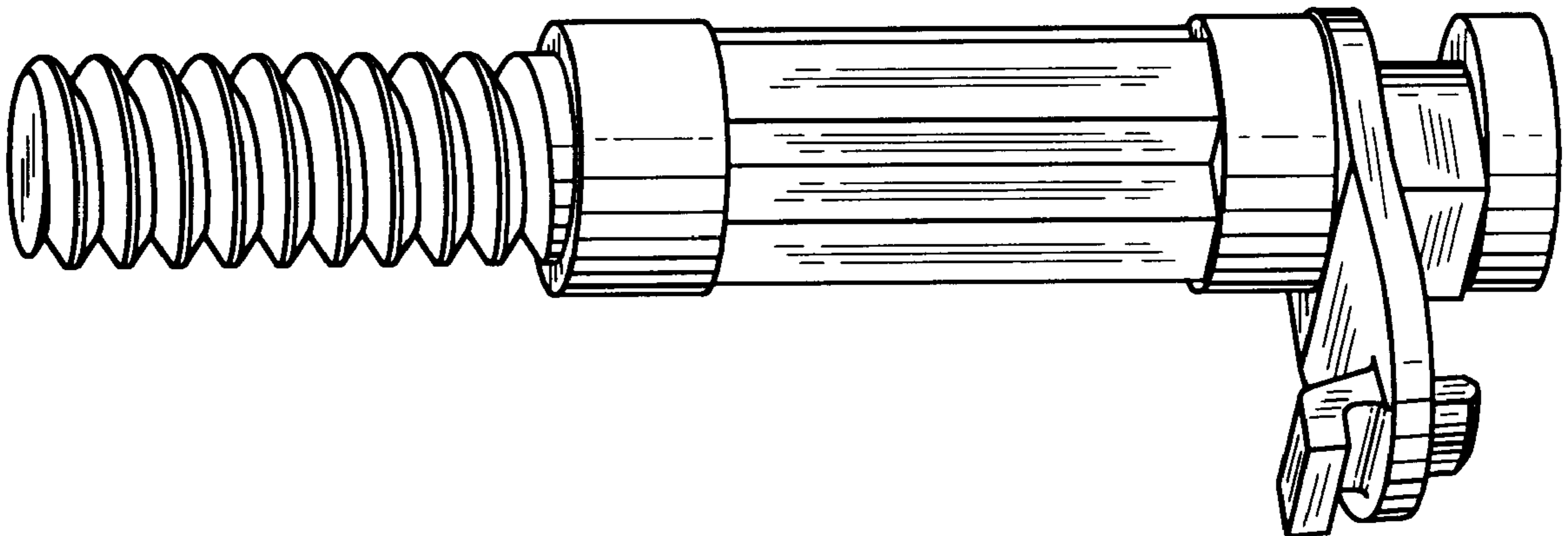
[57] **CLAIM**

The ornamental design for a spacer stud with a keyslot locking base, as shown and described.

DESCRIPTION

FIG. 1 is a perspective view embodying the invention. FIG. 2 is a front elevational view embodying the invention. FIG. 3 is a rear elevational view embodying the invention. FIG. 4 is a top view embodying the invention. FIG. 5 is a bottom view embodying the invention; and, FIG. 6 is a side view embodying the invention, both the left and right side being identical and mirror images of one another.

1 Claim, 1 Drawing Sheet



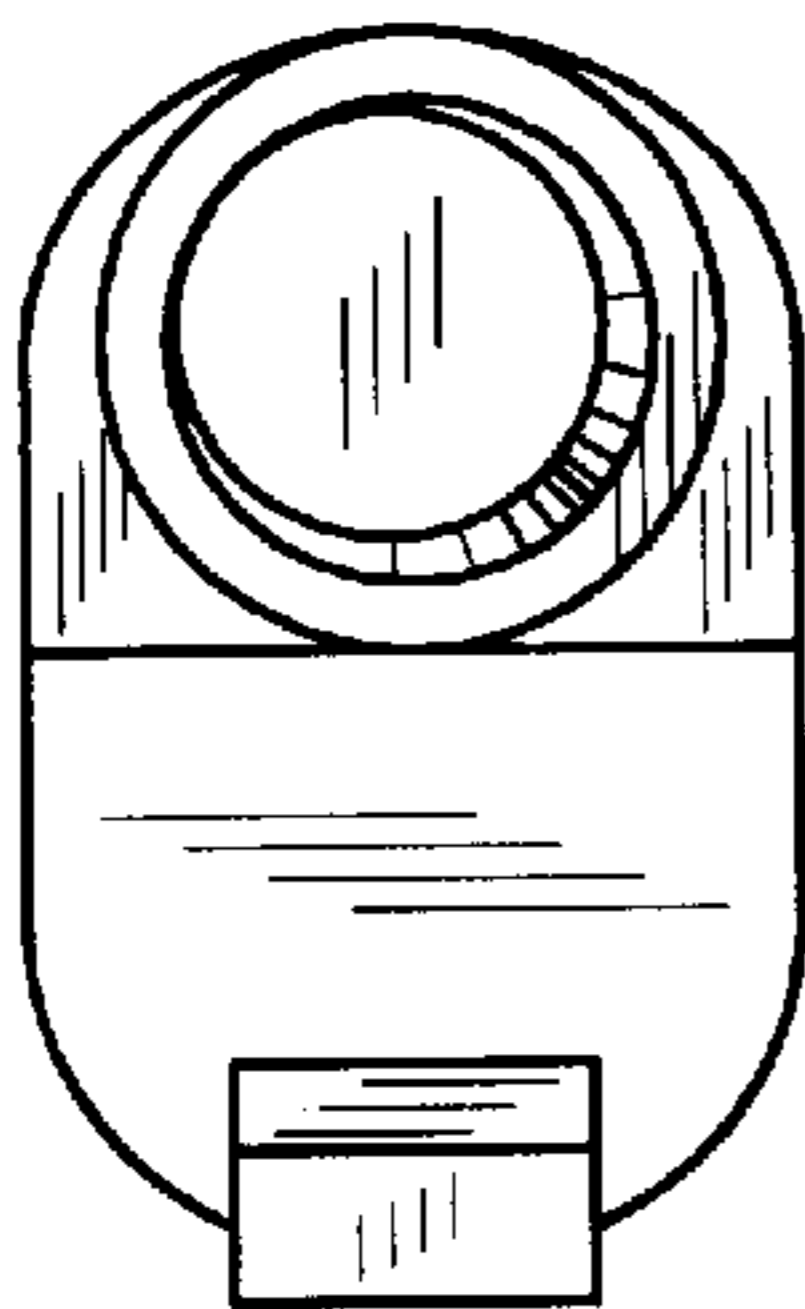
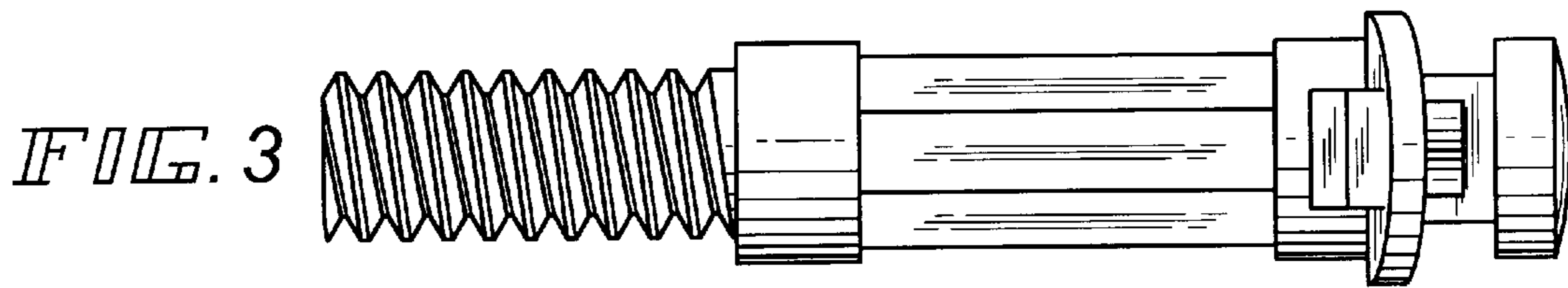
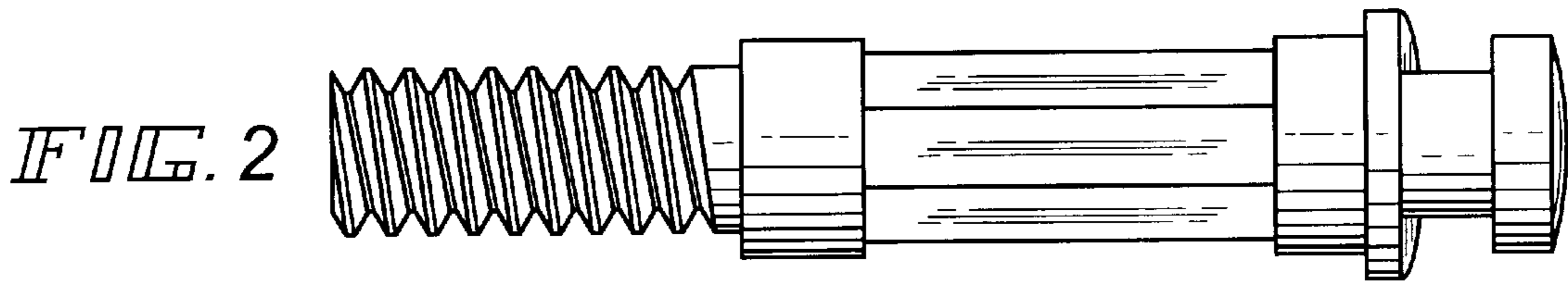
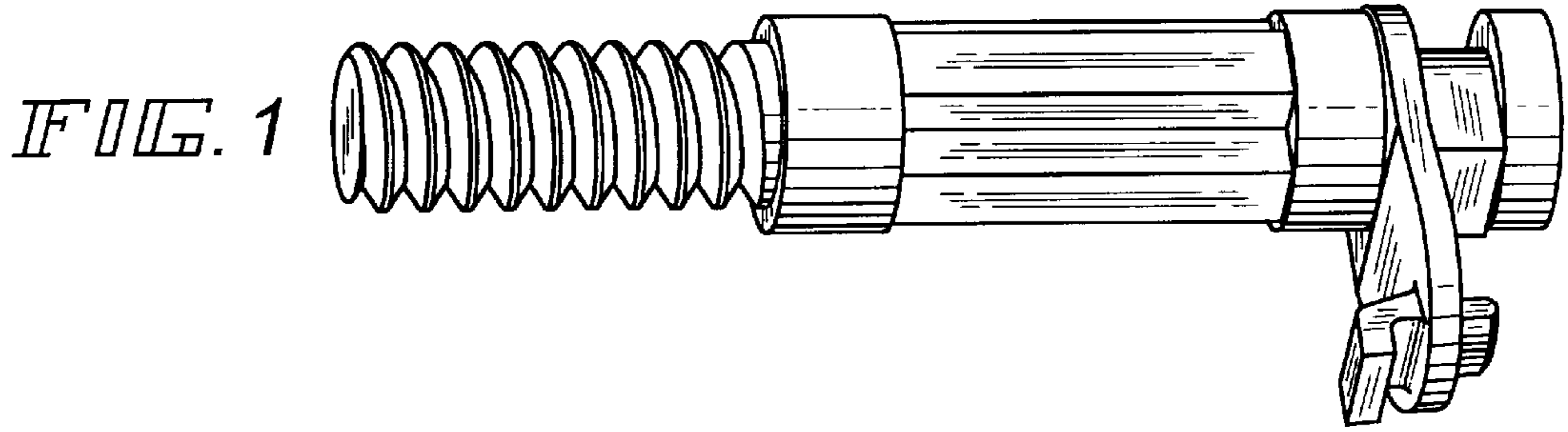


FIG. 5

FIG. 4

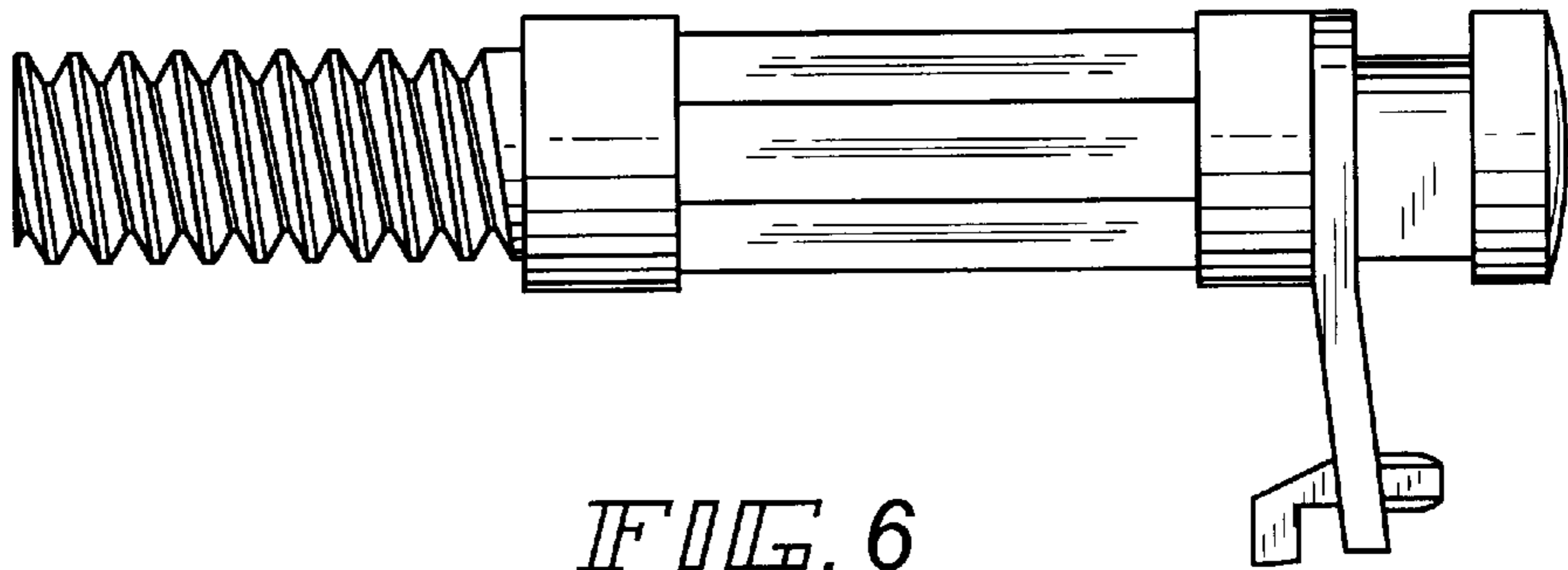
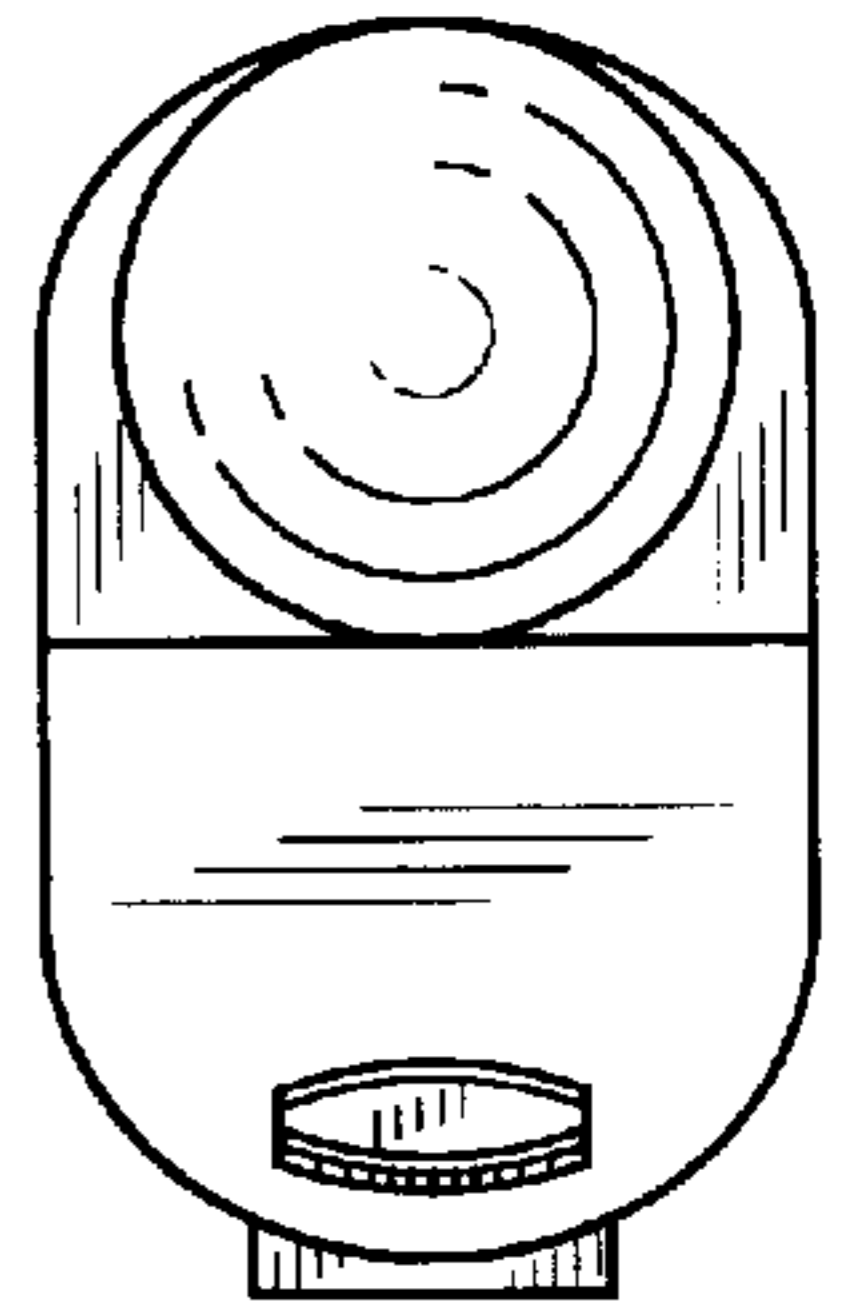


FIG. 6