



US00D422482S

United States Patent [19]
Csik et al.

[11] **Patent Number: Des. 422,482**

[45] **Date of Patent: ** Apr. 11, 2000**

[54] **GALLEY RETAINER**

[75] Inventors: **Terrence S. Csik**, Pasadena; **Stephen C. Csik**, Monrovia, both of Calif.

[73] Assignee: **Skylock Industries, Inc.**, Monrovia, Calif.

[**] Term: **14 Years**

[21] Appl. No.: **29/086,495**

[22] Filed: **Apr. 14, 1998**

[51] **LOC (6) Cl.** **08-05**

[52] **U.S. Cl.** **D8/349**

[58] **Field of Search** D8/354, 349; 411/418; 248/503, 509; 410/56; 188/72.9

[56] **References Cited**

U.S. PATENT DOCUMENTS

D. 391,148 2/1998 Rosen D8/380
899,769 9/1908 Tideman 248/124.1

Primary Examiner—Holly Baynham

Attorney, Agent, or Firm—Christie, Parker & Hale, LLP

[57] **CLAIM**

The ornamental design for galley retainer, as shown and described.

DESCRIPTION

FIG. 1 is a perspective view of the galley retainer showing the new design;

FIG. 2 is a top elevational view of the embodiment of FIG. 1;

FIG. 3 is a left side elevational view of the embodiment of FIG. 1;

FIG. 4 is a bottom elevational view of the embodiment of FIG. 1;

FIG. 5 is a right side elevational view of the embodiment of FIG. 1;

FIG. 6 is a front elevational view of the embodiment of FIG. 1;

FIG. 7 is a back elevational view of the embodiment of FIG. 1;

FIG. 8 is a perspective view of an alternative embodiment of the galley retainer of FIG. 1;

FIG. 9 is a top elevational view of the embodiment of FIG. 8;

FIG. 10 is a left side elevational view of the embodiment of FIG. 8;

FIG. 11 is a bottom elevational view of the embodiment of FIG. 8;

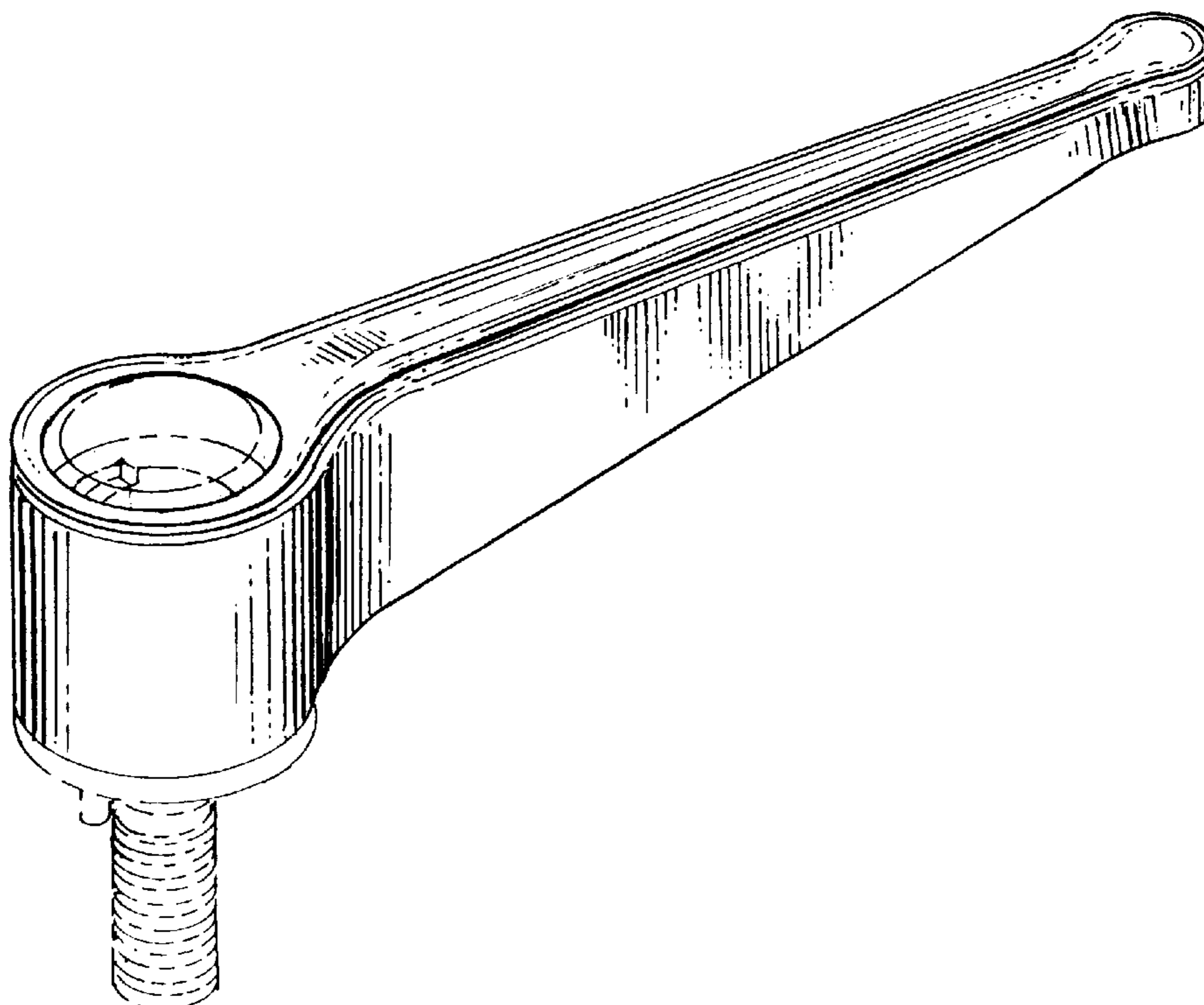
FIG. 12 is a right side elevational view of the embodiment of FIG. 8;

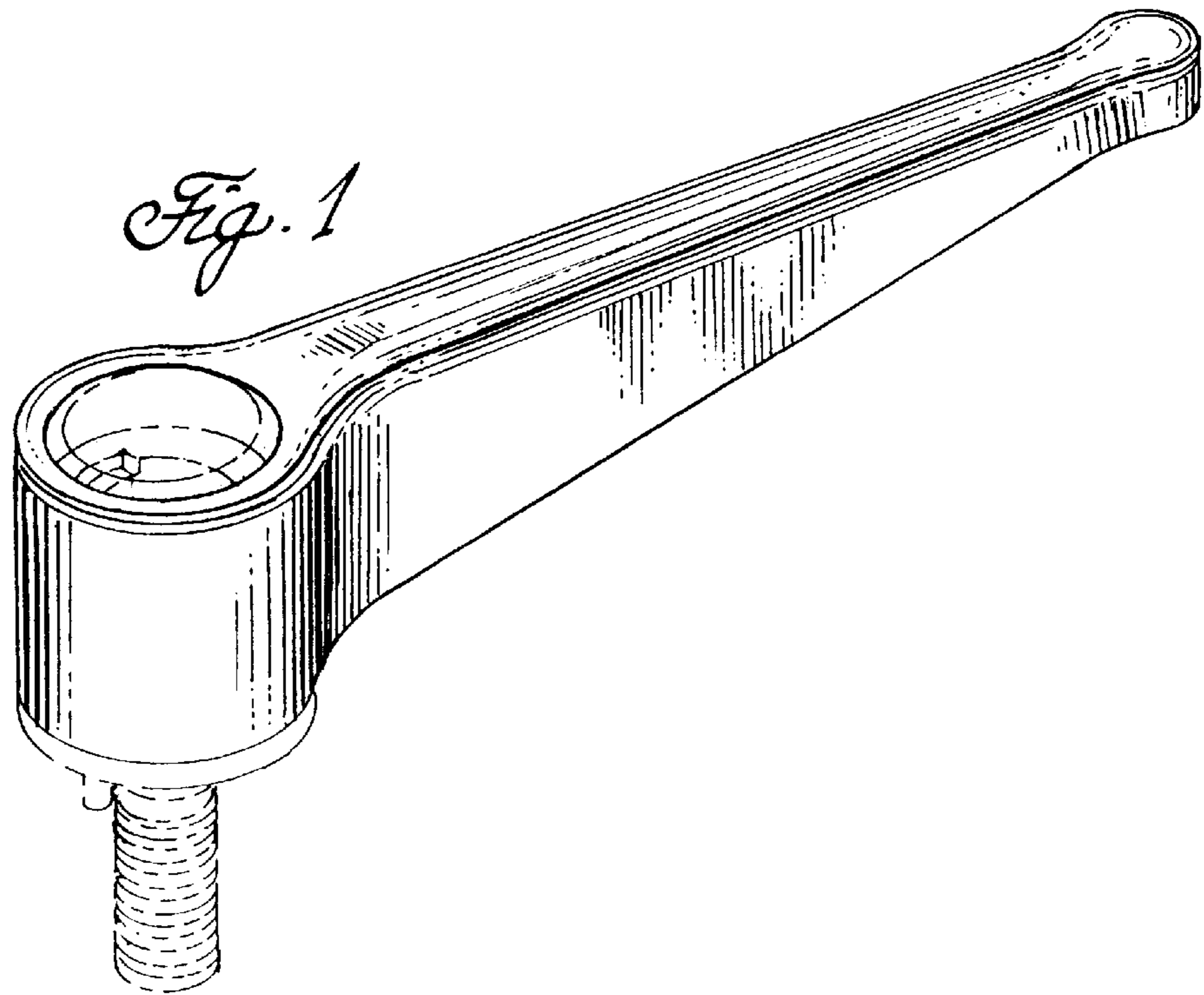
FIG. 13 is a front elevational view of the embodiment of FIG. 8; and,

FIG. 14 is a back elevational view of the embodiment of FIG. 8.

The broken line showing of a bolt is for illustrative purposes only and forms no part of the claimed design.

1 Claim, 4 Drawing Sheets





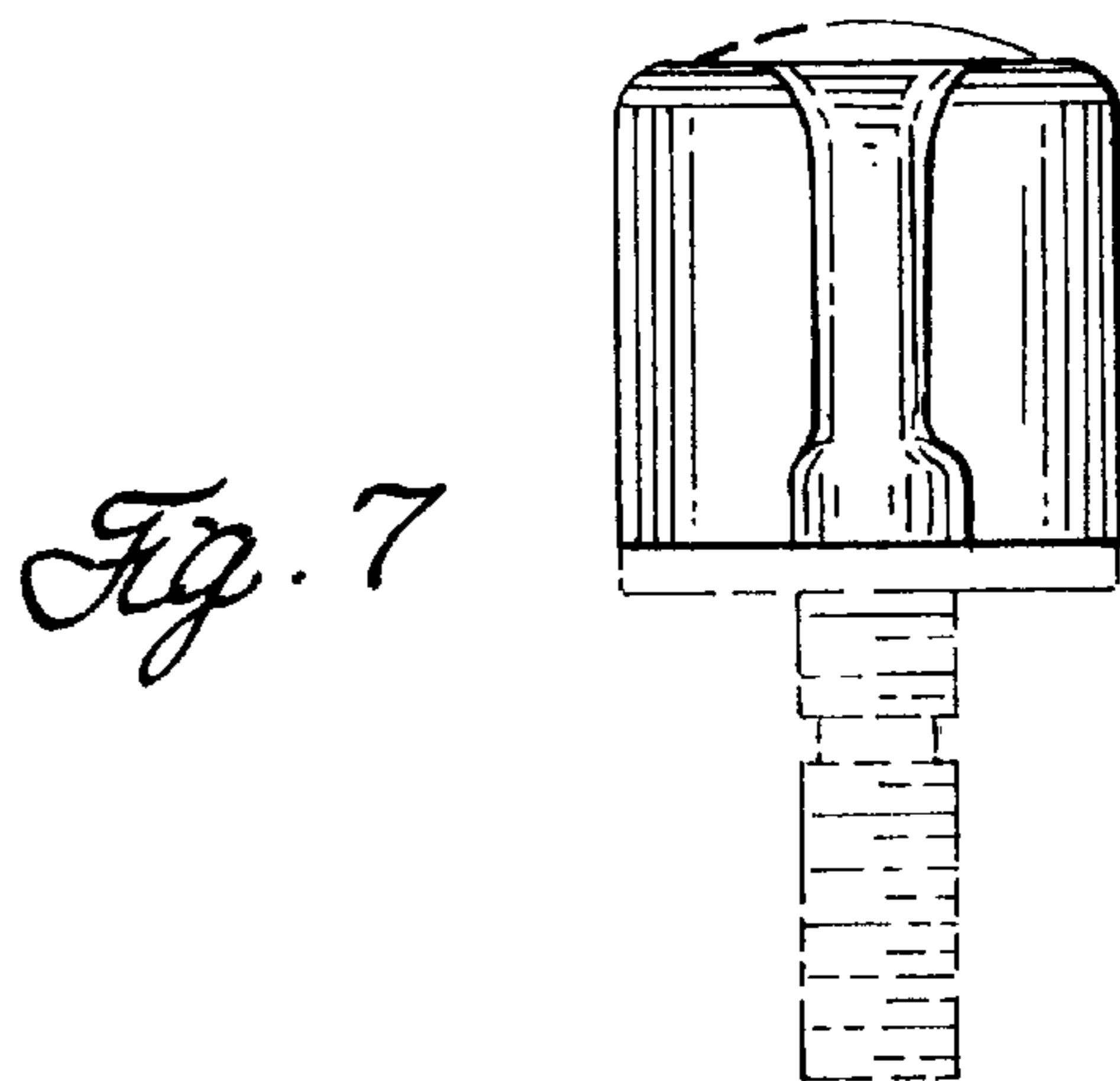
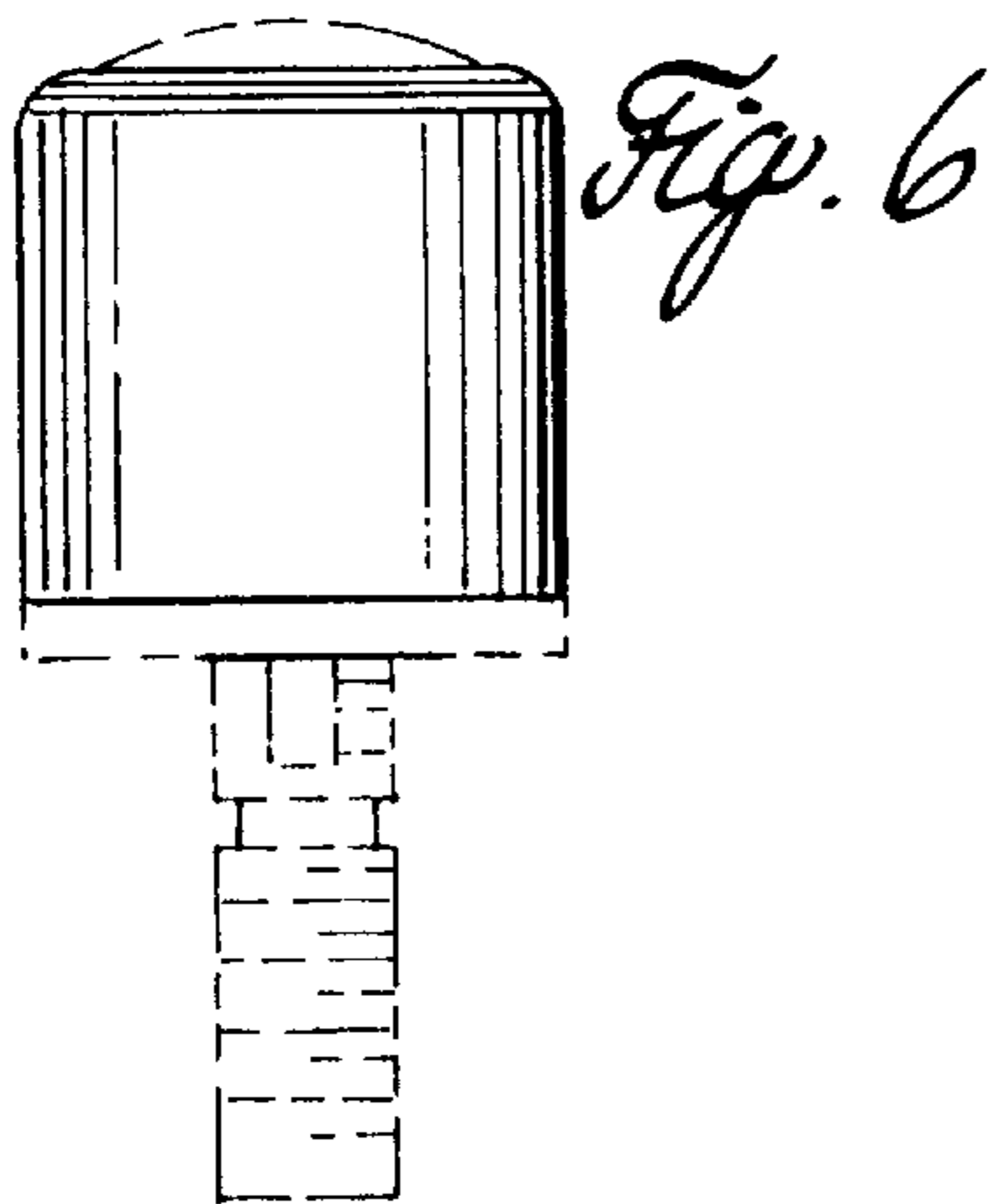
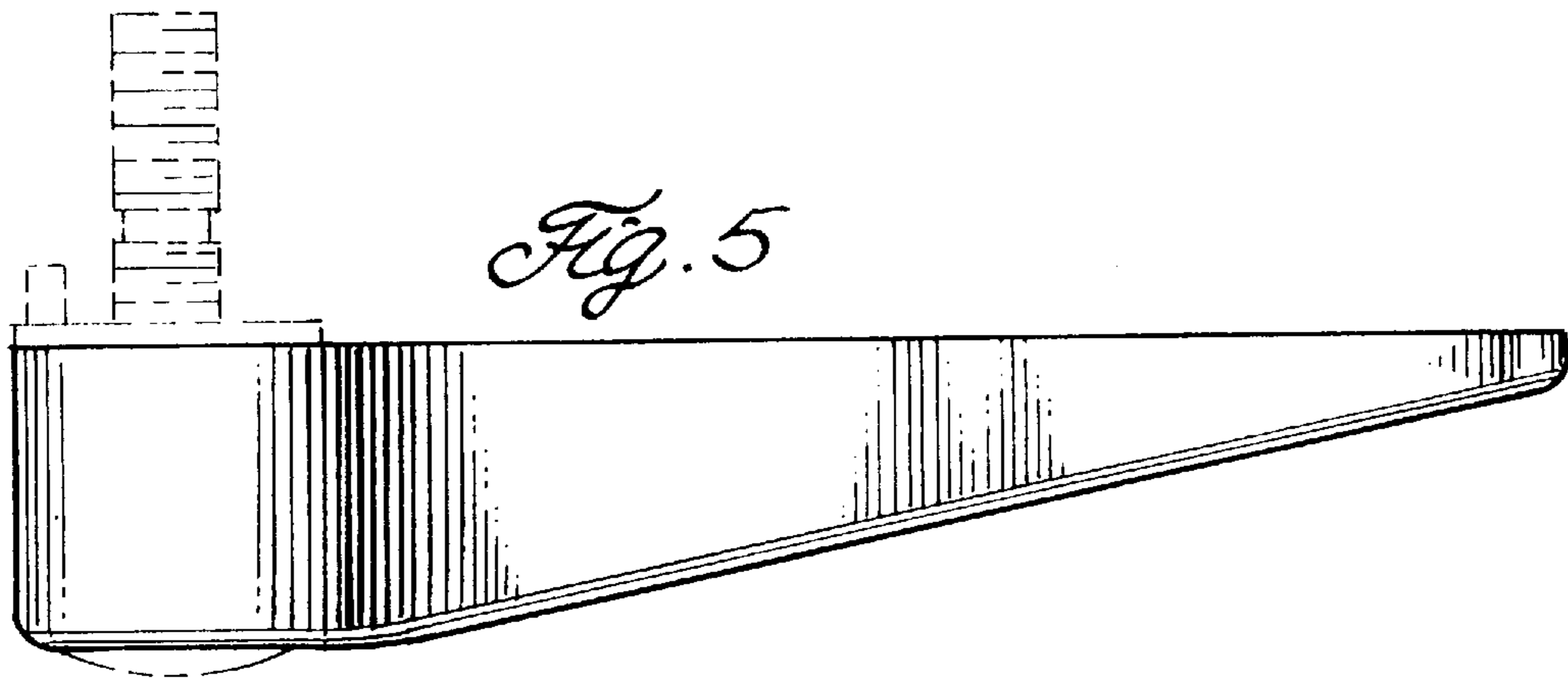
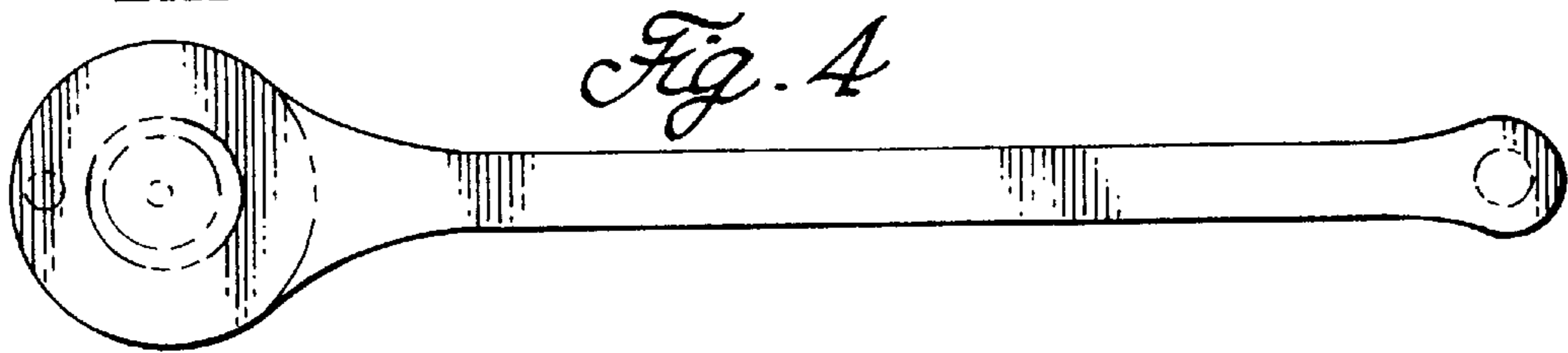
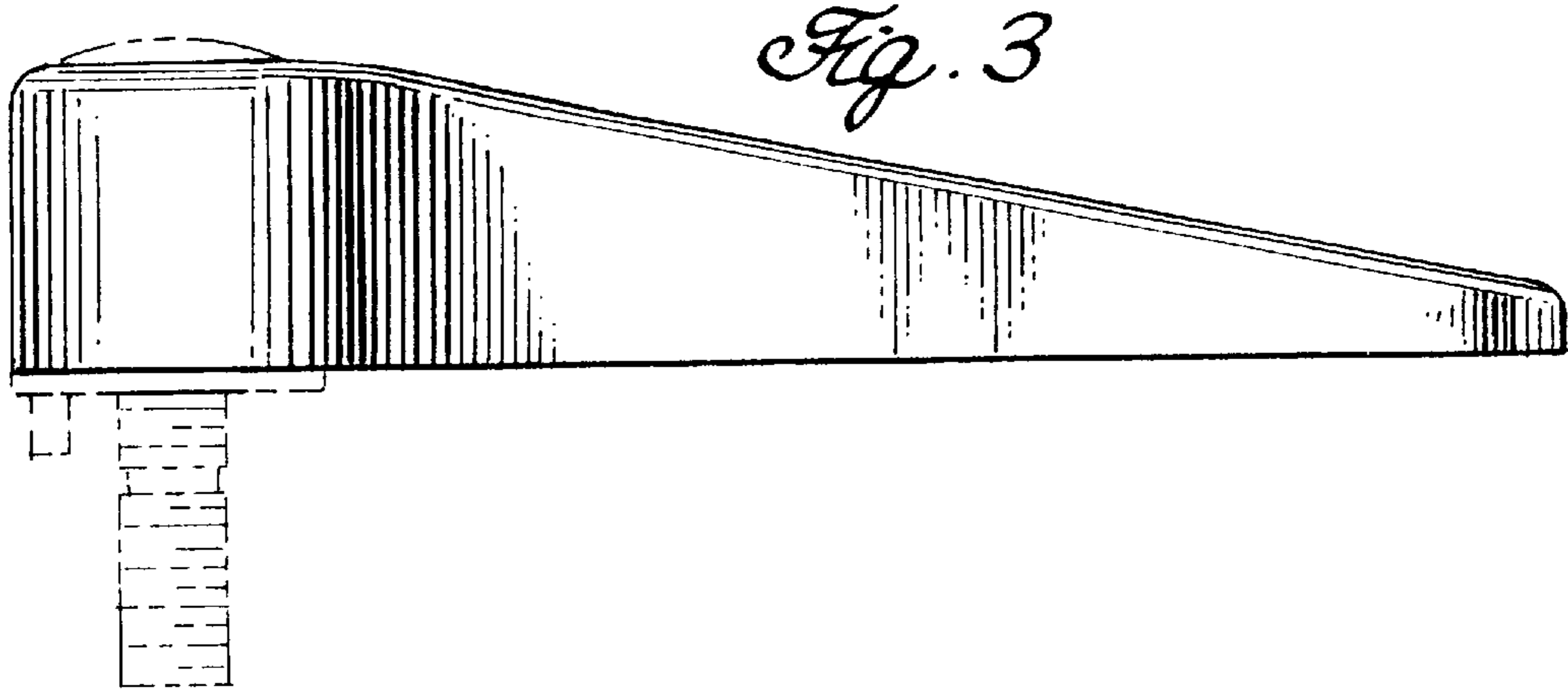


Fig. 8

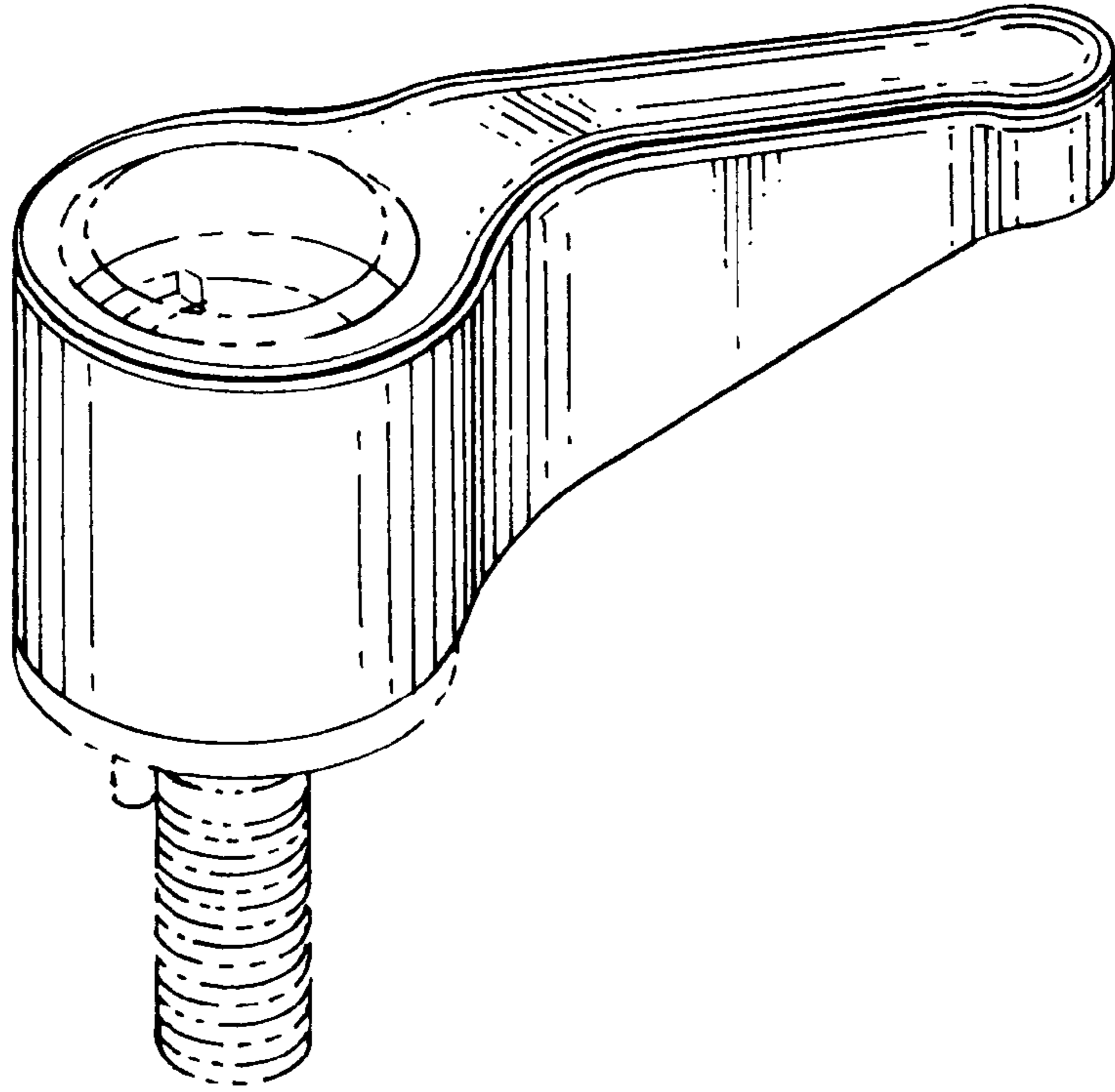


Fig. 9

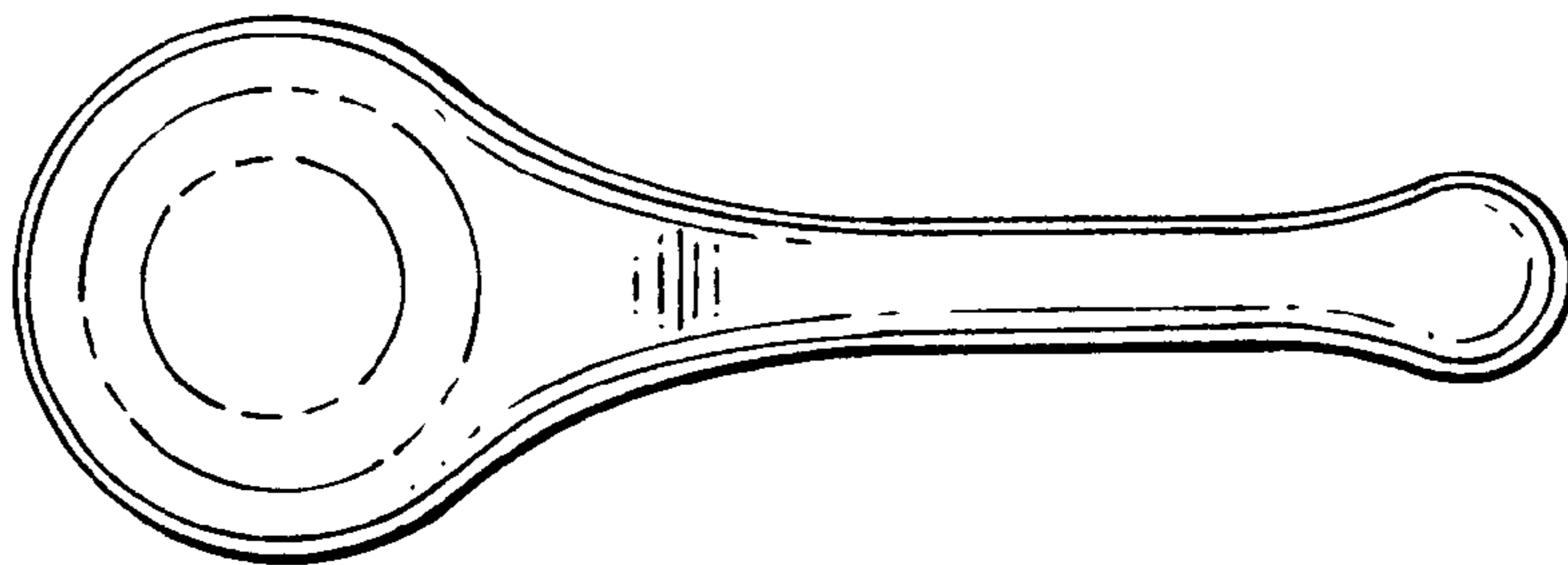


Fig. 10

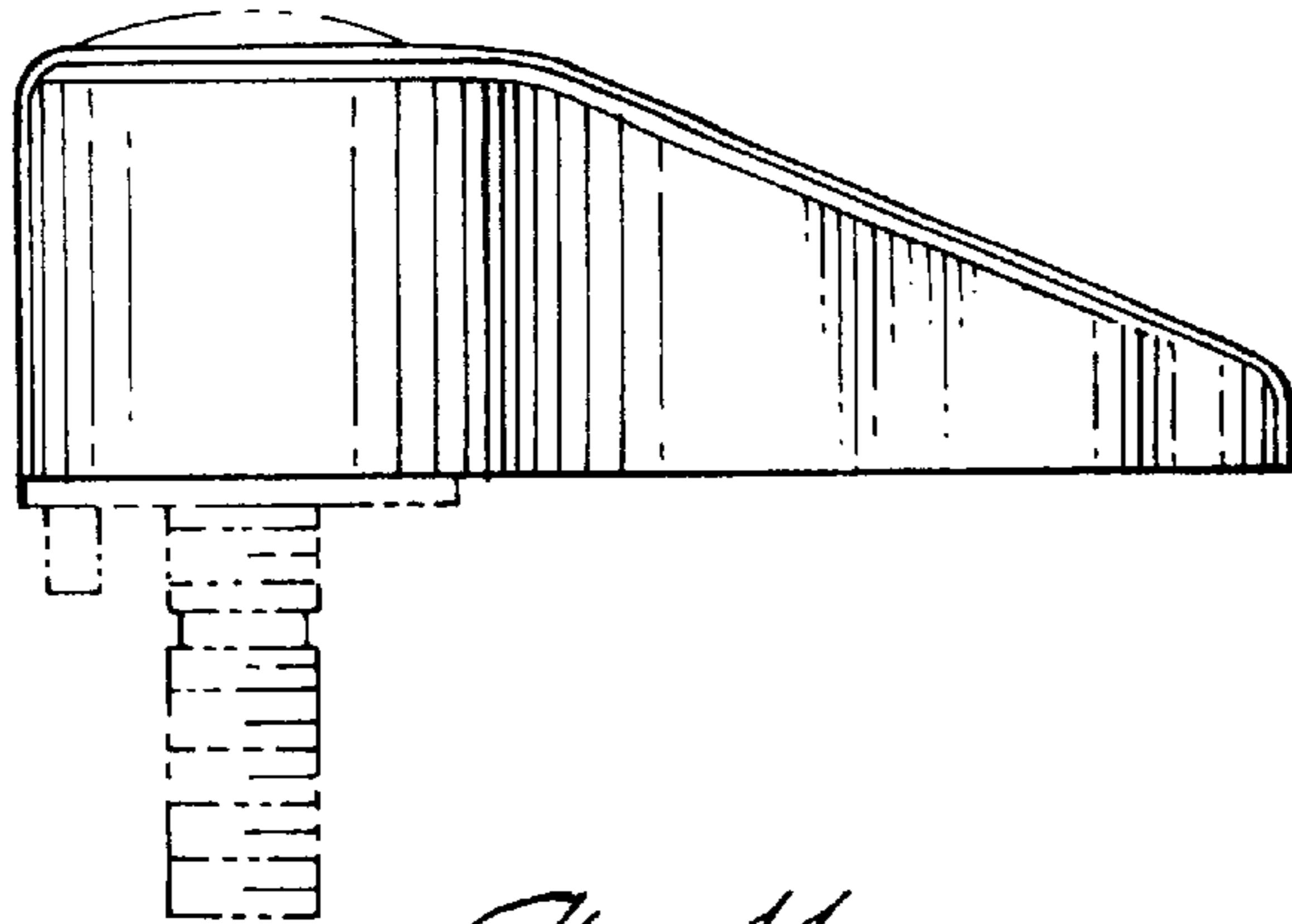


Fig. 11

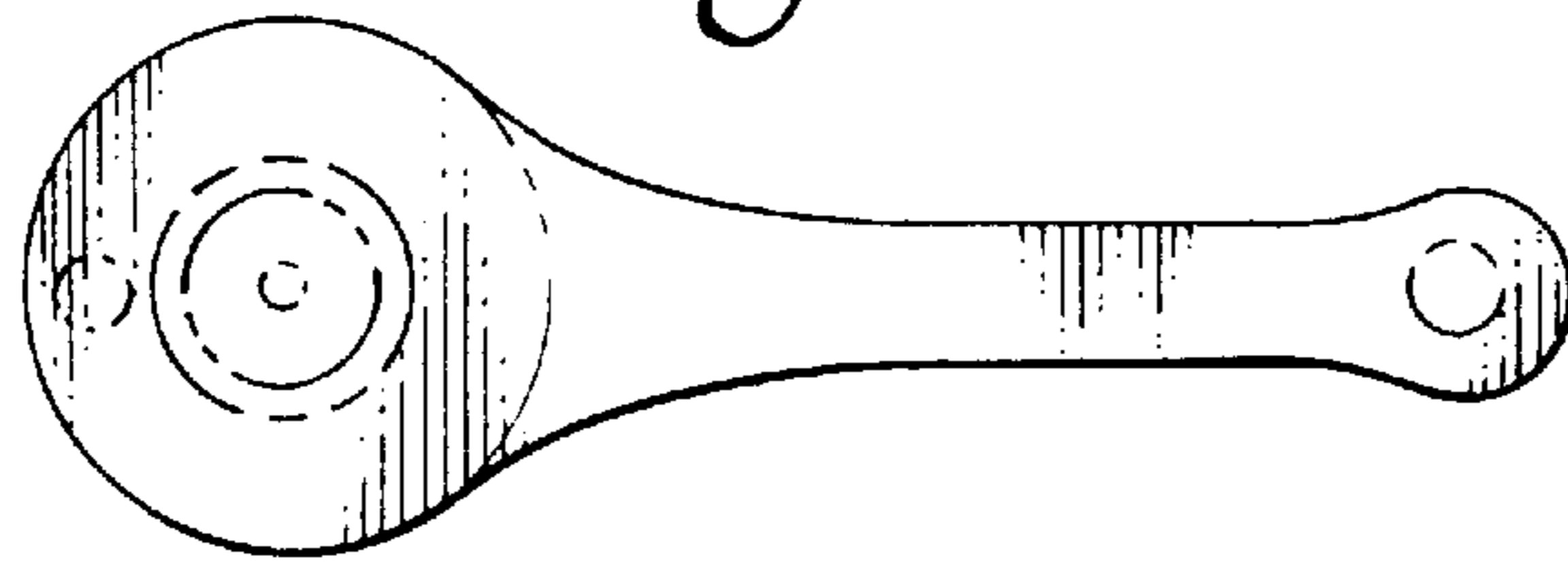


Fig. 12

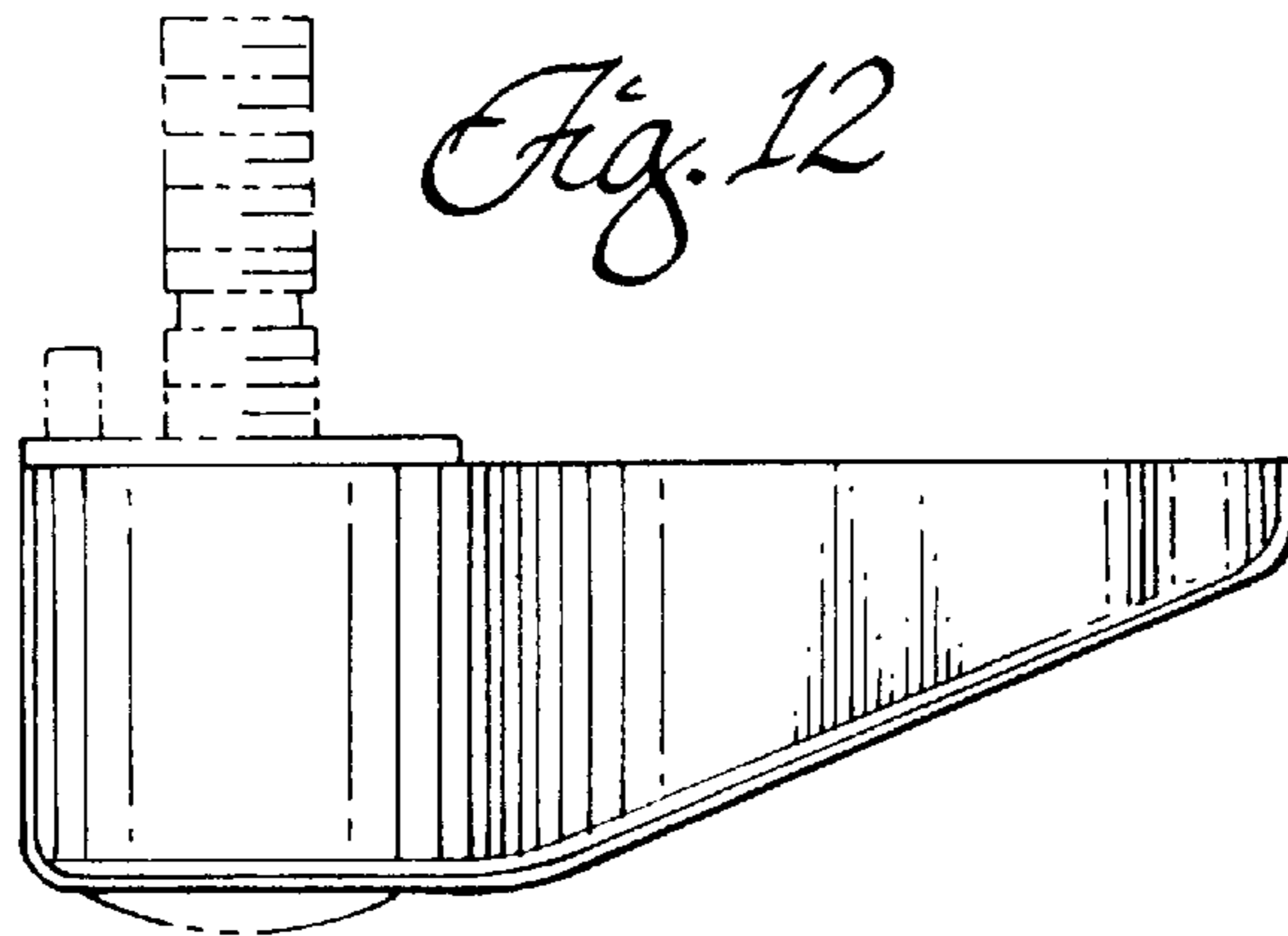


Fig. 13

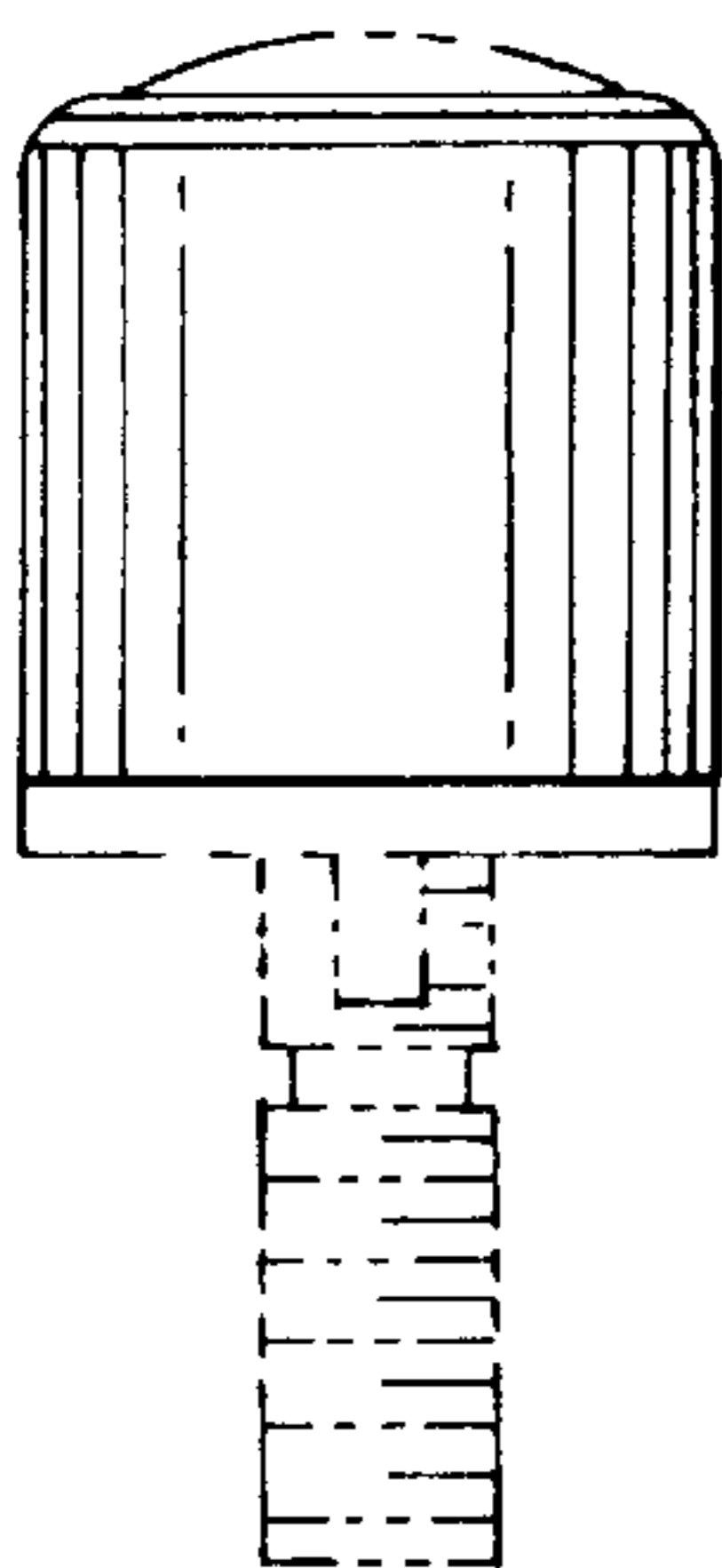


Fig. 14

