



US00D422478S

United States Patent [19] Elishewitz

[11] **Patent Number: Des. 422,478**
[45] **Date of Patent: ** Apr. 11, 2000**

[54] **GROOVED HANDLE FOR A KNIFE**

[75] Inventor: **Allen Elishewitz**, Dallas, Tex.

[73] Assignee: **Mentor Group, L.L.C.**, Oregon City, Oreg.

[**] Term: **14 Years**

[21] Appl. No.: **29/106,188**

[22] Filed: **Jun. 10, 1999**

[51] **LOC (6) Cl.** **08-03**

[52] **U.S. Cl.** **D8/99**

[58] **Field of Search** D8/98, 99, 100,
D8/107, 105; 30/151, 152, 153, 154, 155,
156, 157, 158, 159, 160, 161, 162

[56] **References Cited**

U.S. PATENT DOCUMENTS

D. 336,232	6/1993	Thompson et al.	D8/99
D. 365,266	12/1995	Hasegawa	D8/99
D. 384,871	10/1997	McWillis	D8/99
D. 397,017	8/1998	Pardue	D8/99
D. 404,990	2/1999	Zowada	D8/99
D. 407,002	3/1999	Morton et al.	D8/99
D. 408,257	4/1999	Elishewitz	D8/99
D. 408,705	4/1999	Elishewitz	D8/99
D. 408,706	4/1999	Elishewitz	D8/99
D. 409,070	5/1999	Elishewitz	D8/98
5,060,379	10/1991	Neely	30/161
5,495,673	3/1996	Gardiner et al.	30/155
5,572,793	11/1996	Collins et al.	30/157

OTHER PUBLICATIONS

Fighting Knives magazine, p. 7, Benchmade knives, May 1996.

Fighting Knives magazine, p. 19, Elishewitz knife, May 1996.

Fighting Knives, magazine, p. 39, Elishewitz and Crawford knives, May 1996.

Benchmade Knife Co., Inc. Benchmade Sentinel Model 875, 1997.

Primary Examiner—Philip S. Hyder

Attorney, Agent, or Firm—Chernoff, Vilhauer, McClung & Stenzel, LLP

[57] **CLAIM**

The ornamental design for a grooved handle for a knife, as shown and described.

DESCRIPTION

FIG. 1 is an isometric view from the upper right front of a grooved handle for a knife showing my new design, wherein the broken-line depiction of a knife blade associated therewith is included merely for illustrative purposes and forms no part of the claimed design;

FIG. 2 is a right side elevational view of the grooved handle for a knife shown in FIG. 1, the left side elevational view thereof being a mirror image of this view;

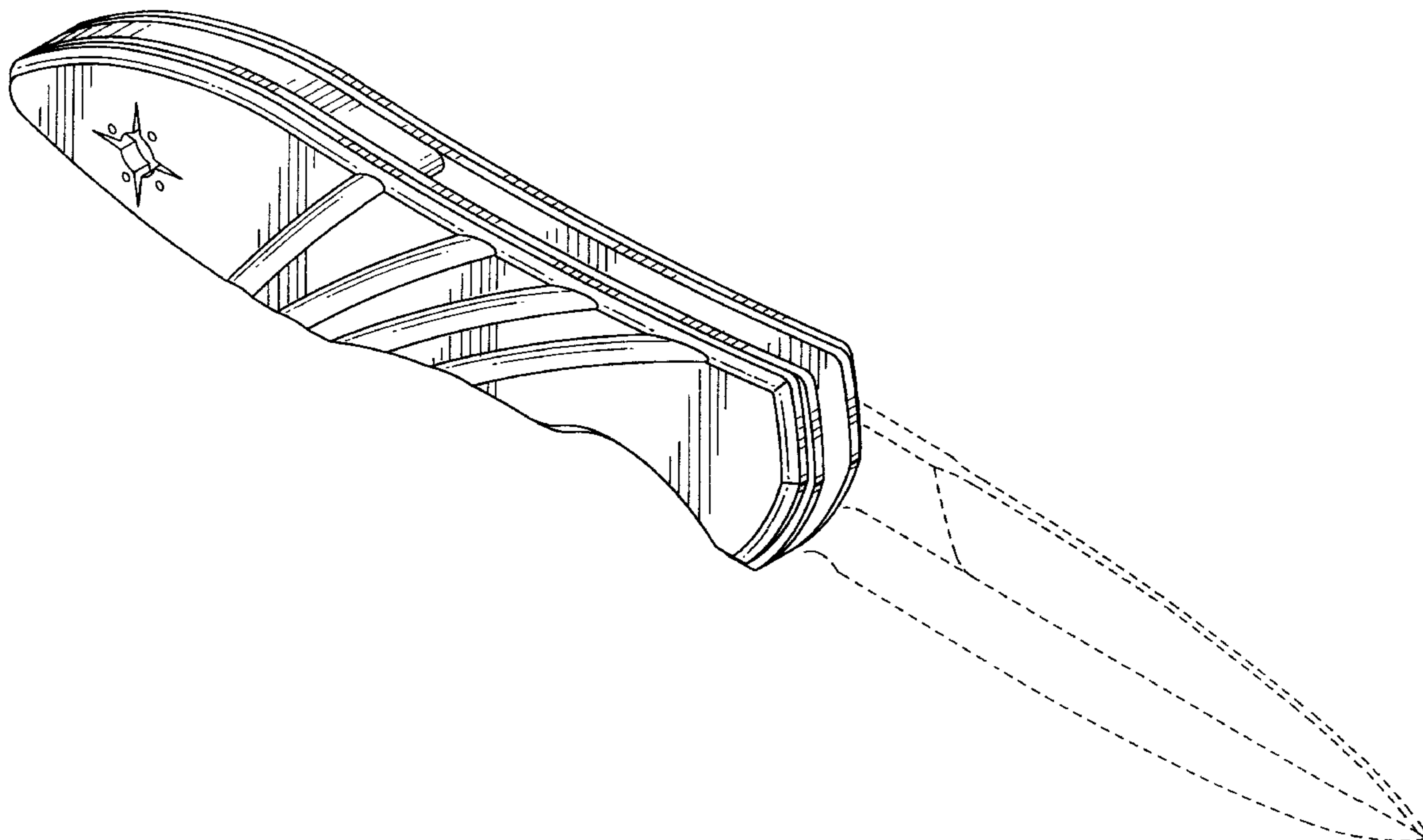
FIG. 3 is a top plan, or back, view thereof;

FIG. 4 is a bottom plan view thereof;

FIG. 5 is a rear end elevational view thereof; and,

FIG. 6 is a front end elevational view thereof.

1 Claim, 2 Drawing Sheets



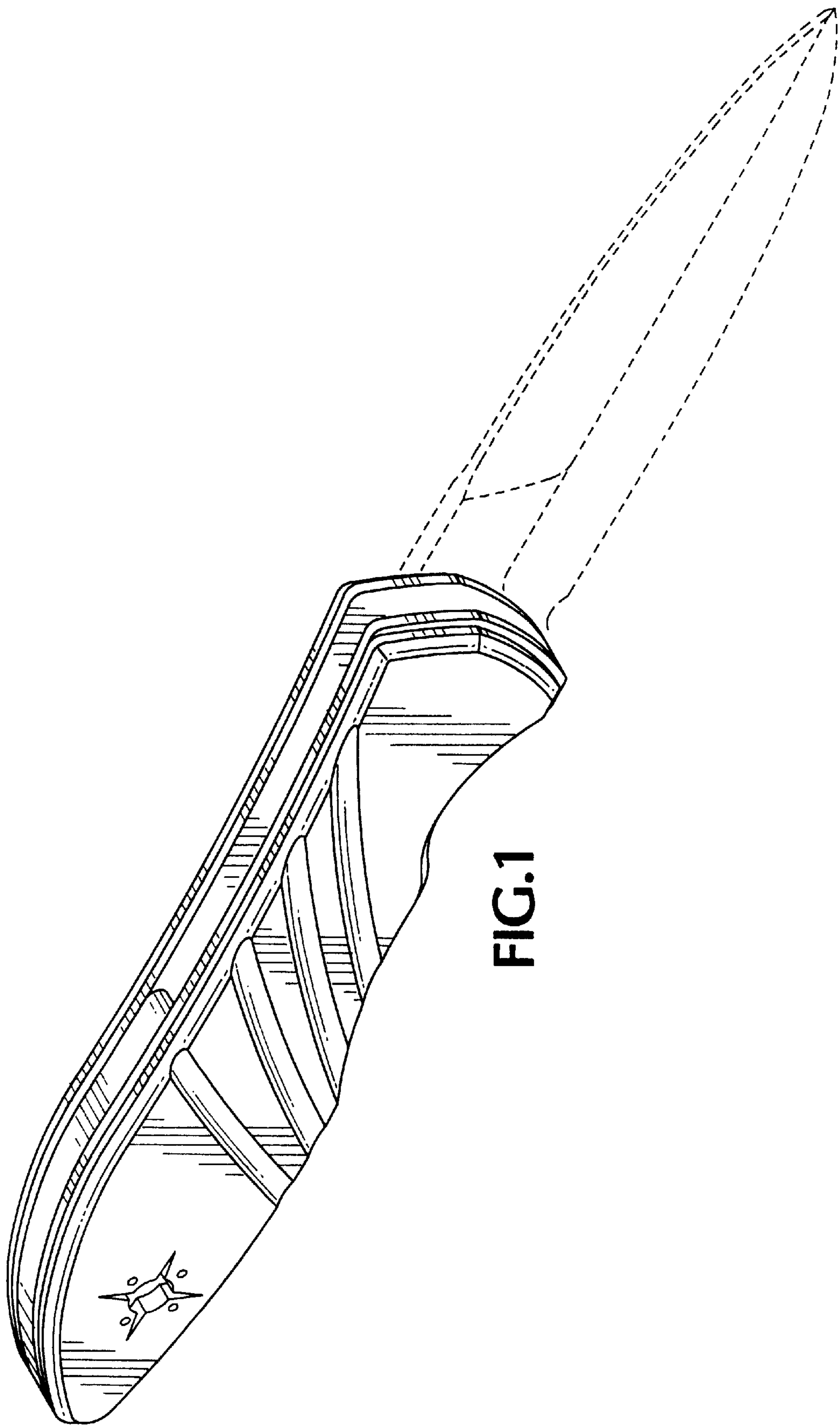


FIG.1

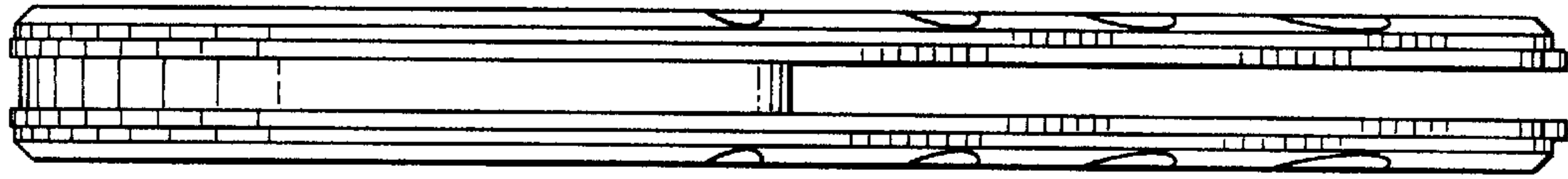


FIG.3

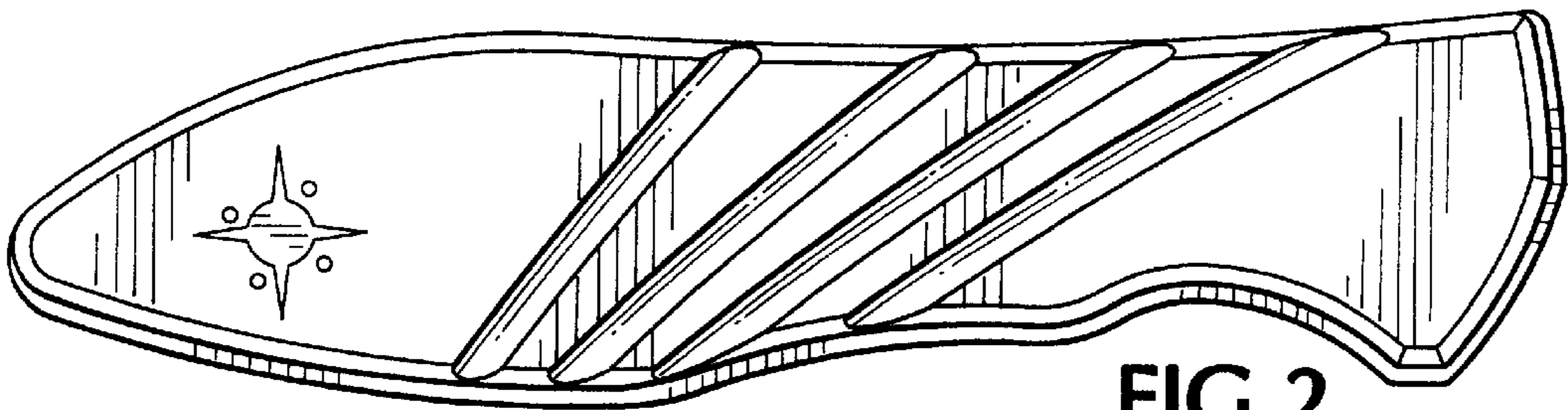


FIG.2

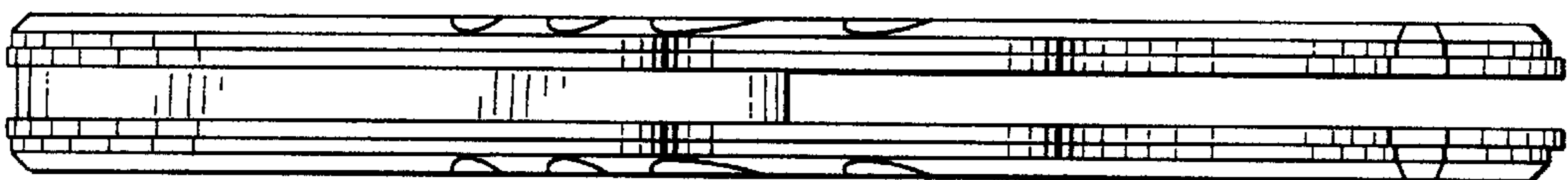


FIG.4

FIG.5

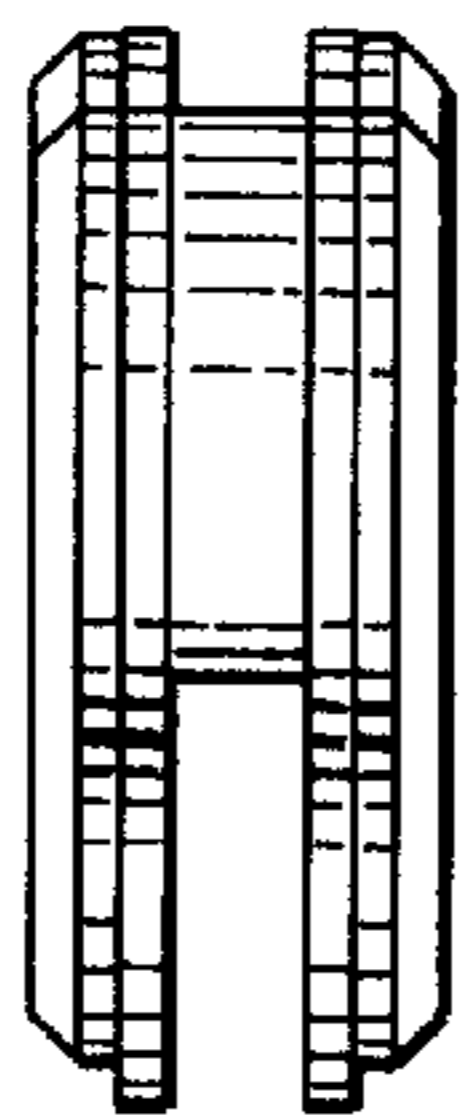


FIG.6

