



US00D422477S

United States Patent [19]
Elishewitz

[11] **Patent Number: Des. 422,477**

[45] **Date of Patent: ** Apr. 11, 2000**

[54] **FOLDING KNIFE WITH GROOVED HANDLE**

5,495,673 3/1996 Gardiner et al. 30/155
5,572,793 11/1996 Collins et al. 30/157

[75] Inventor: **Allen Elishewitz**, Dallas, Tex.

[73] Assignee: **Mentor Group, L.L.C.**, Oregon City, Oreg.

[**] Term: **14 Years**

[21] Appl. No.: **29/106,183**

[22] Filed: **Jun. 10, 1999**

[51] **LOC (6) Cl.** **08-03**

[52] **U.S. Cl.** **D8/99**

[58] **Field of Search** D8/98, 99, 100;
D22/118; 30/151, 152, 153, 154, 155, 156,
157, 158, 159, 160, 161, 162

[56] **References Cited**

U.S. PATENT DOCUMENTS

D. 336,232	6/1993	Thompson et al.	D8/99
D. 365,266	12/1995	Hasegawa	D8/99
D. 384,871	10/1997	McWillis	D8/99
D. 397,017	8/1998	Pardue	D8/99
D. 404,990	2/1999	Zowada	D8/99
D. 407,002	3/1999	Morton et al.	D8/99
D. 408,257	4/1999	Elishewitz	D8/99
D. 408,705	4/1999	Elishewitz	D8/99
D. 408,706	4/1999	Elishewitz	D8/99
D. 409,070	5/1999	Elishewitz	D8/98
5,060,379	10/1991	Neely	30/161

OTHER PUBLICATIONS

Fighting Knives magazine, p. 7, Benchmade knives, May 1996.
Fighting Knives magazine, p. 19, Elishewitz knife, May 1996.
Fighting Knives magazine, p. 39, Elishewitz and Crawford knives, May 1996.
Benchmade Knife Co., Inc.
Benchmade Sentinel Model 875, 1997.

Primary Examiner—Philip S. Hyder
Attorney, Agent, or Firm—Chernoff, Vilhauer, McClung & Stenzel, LLP

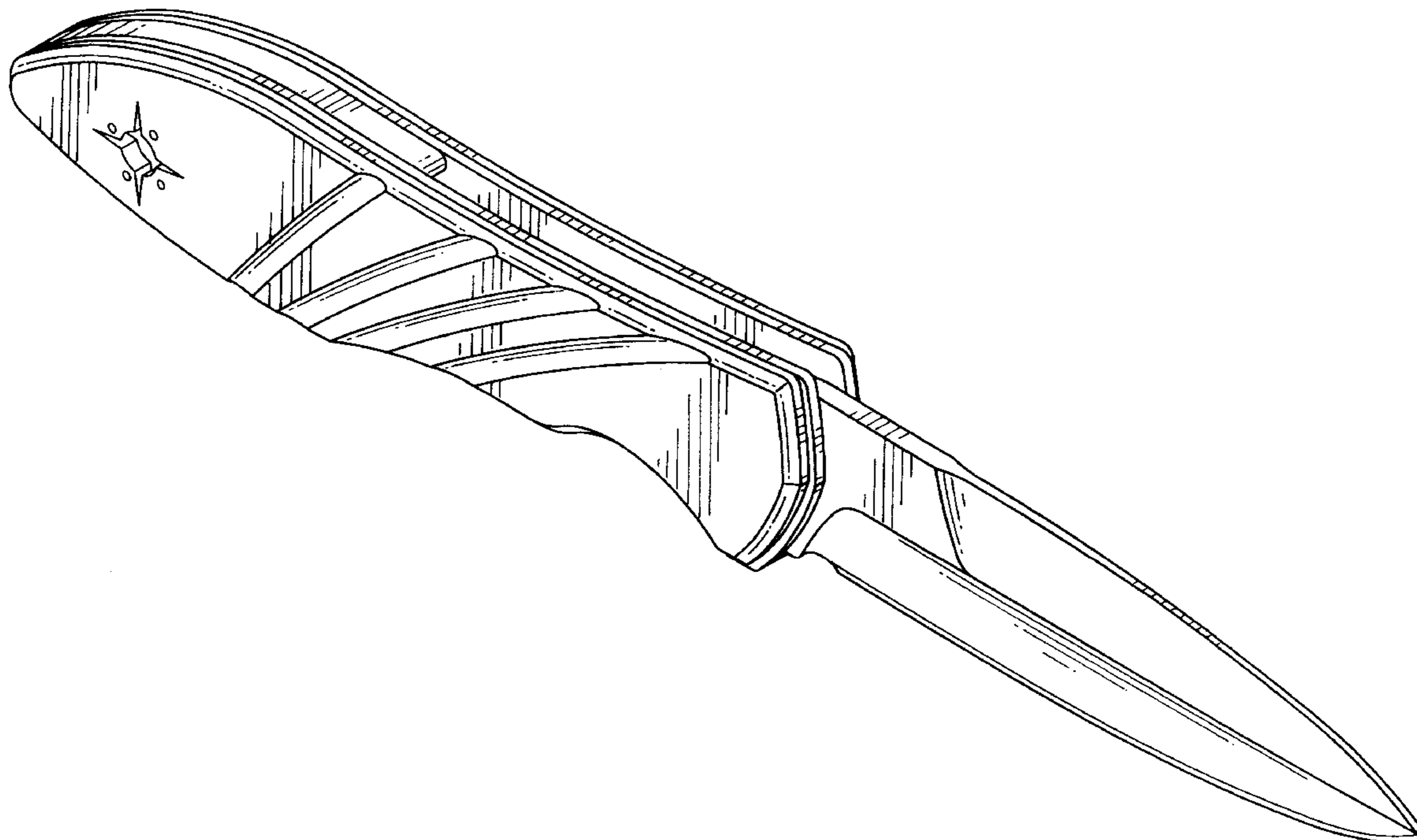
[57] **CLAIM**

The ornamental design for a folding knife with grooved handle, as shown and described.

DESCRIPTION

FIG. 1 is an isometric view from the upper right front of a folding knife with grooved handle showing my new design; FIG. 2 is a right side elevational view thereof, the left side elevational view being a mirror image of this view; FIG. 3 is a top plan, or back, view thereof; FIG. 4 is a bottom plan, or edge, view thereof; FIG. 5 is a rear, or handle, end elevational view thereof; and, FIG. 6 is a front, or blade, end elevational view thereof.

1 Claim, 2 Drawing Sheets



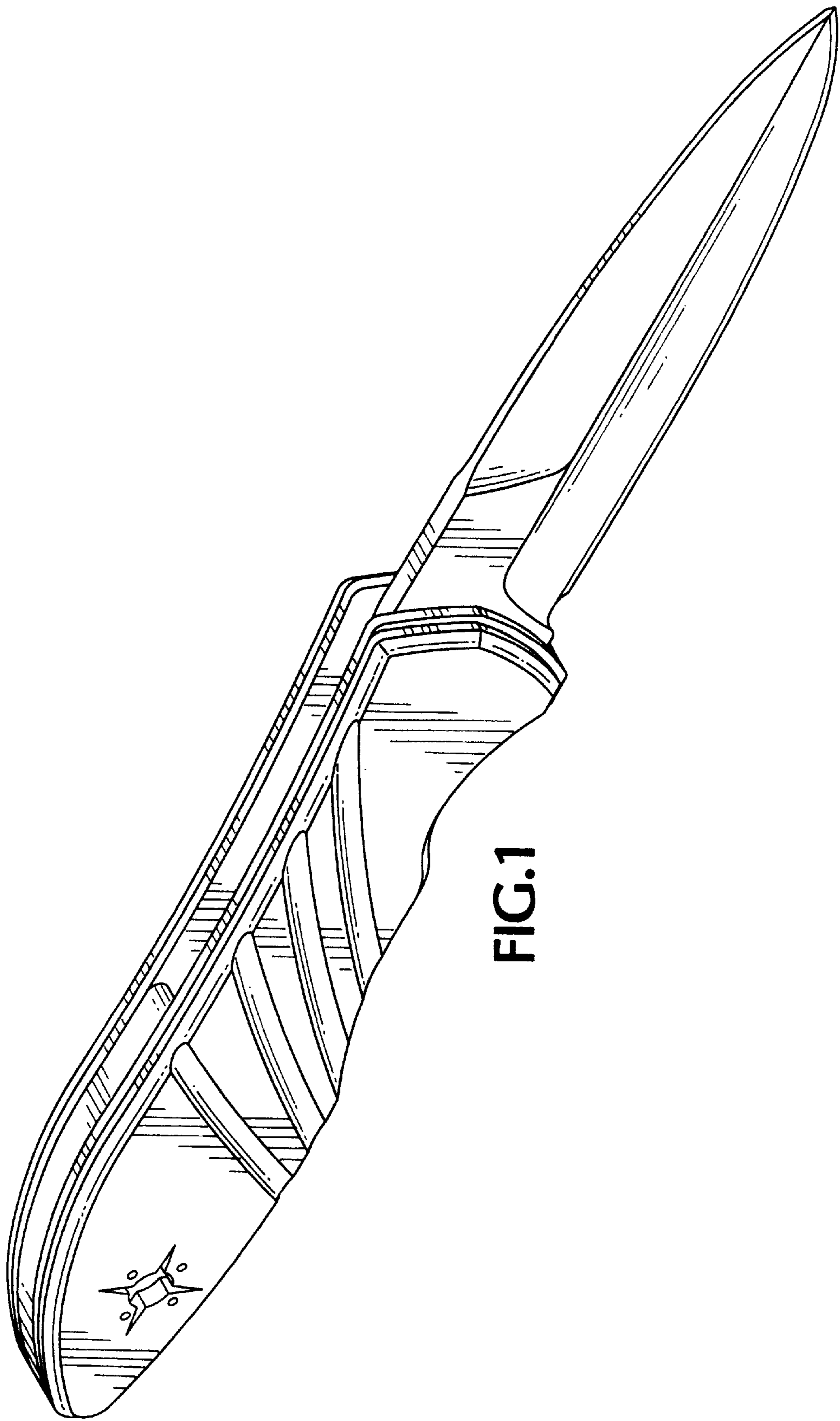


FIG.1

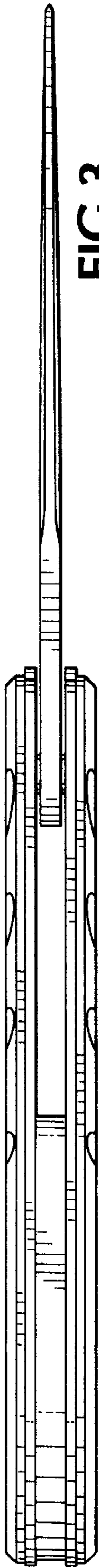


FIG. 3

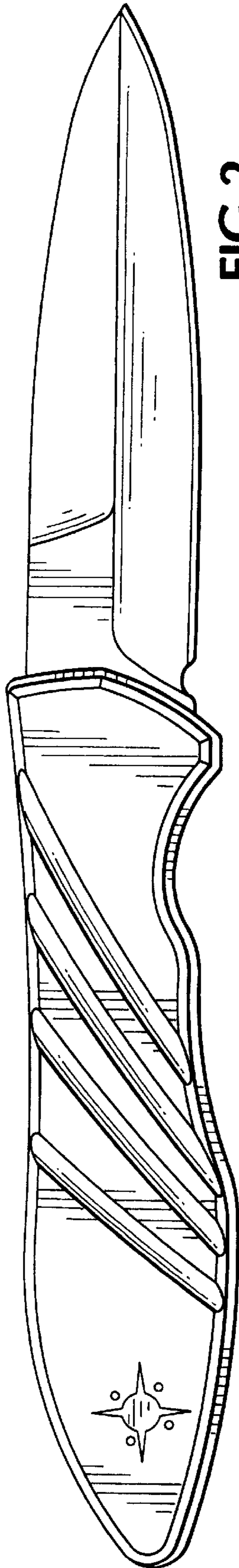


FIG. 2

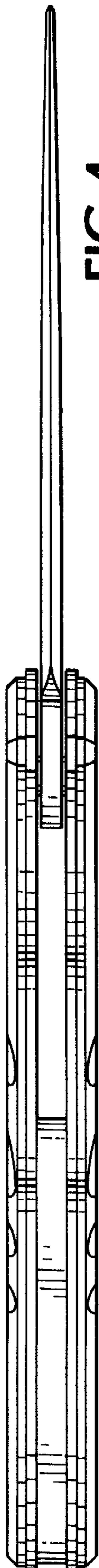


FIG. 4

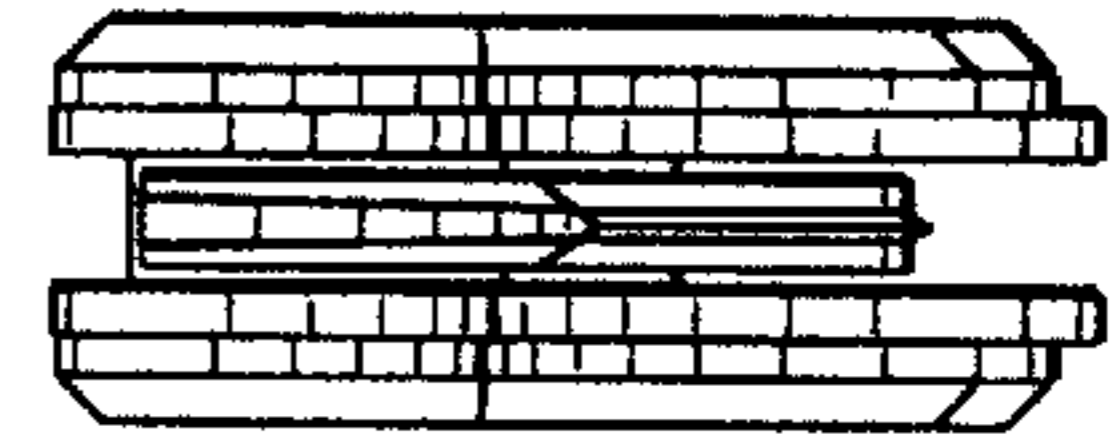


FIG. 6

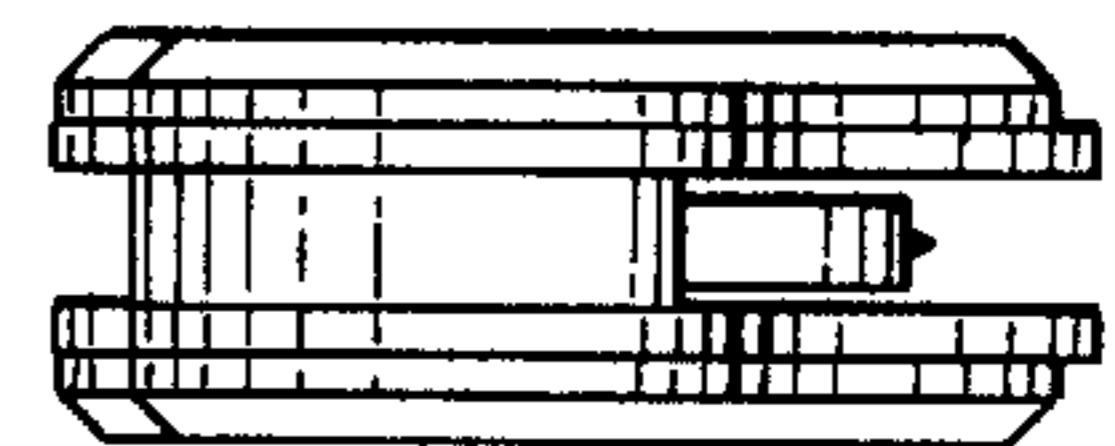


FIG. 5