



US00D422469S

United States Patent [19]
Standlee

[11] **Patent Number: Des. 422,469**

[45] **Date of Patent: ** Apr. 11, 2000**

[54] **ANCHOR LOCK DRIVE TOOL**

2,895,364 7/1959 Heinz 81/177.1
5,617,757 4/1997 Horner 73/290 V

[75] Inventor: **Joan Standlee**, Ocoee, Fla.

[73] Assignee: **Qualtool, Inc.**, Tavares, Fla.

[**] Term: **14 Years**

Primary Examiner—Alan P. Douglas
Assistant Examiner—Reid Hecker
Attorney, Agent, or Firm—Welsh & Katz, Ltd.; Thomas W. Tolpin

[21] Appl. No.: **29/101,029**

[57] **CLAIM**

[22] Filed: **Feb. 23, 1999**

The ornamental design for an anchor lock drive tool, as shown.

[51] **LOC (6) Cl. 08-05**

[52] **U.S. Cl. D8/51**

[58] **Field of Search** D8/14, 24, 26,
D8/28, 29, 51, 59; 81/10, 44, 52, 53.2,
177.1, 489

DESCRIPTION

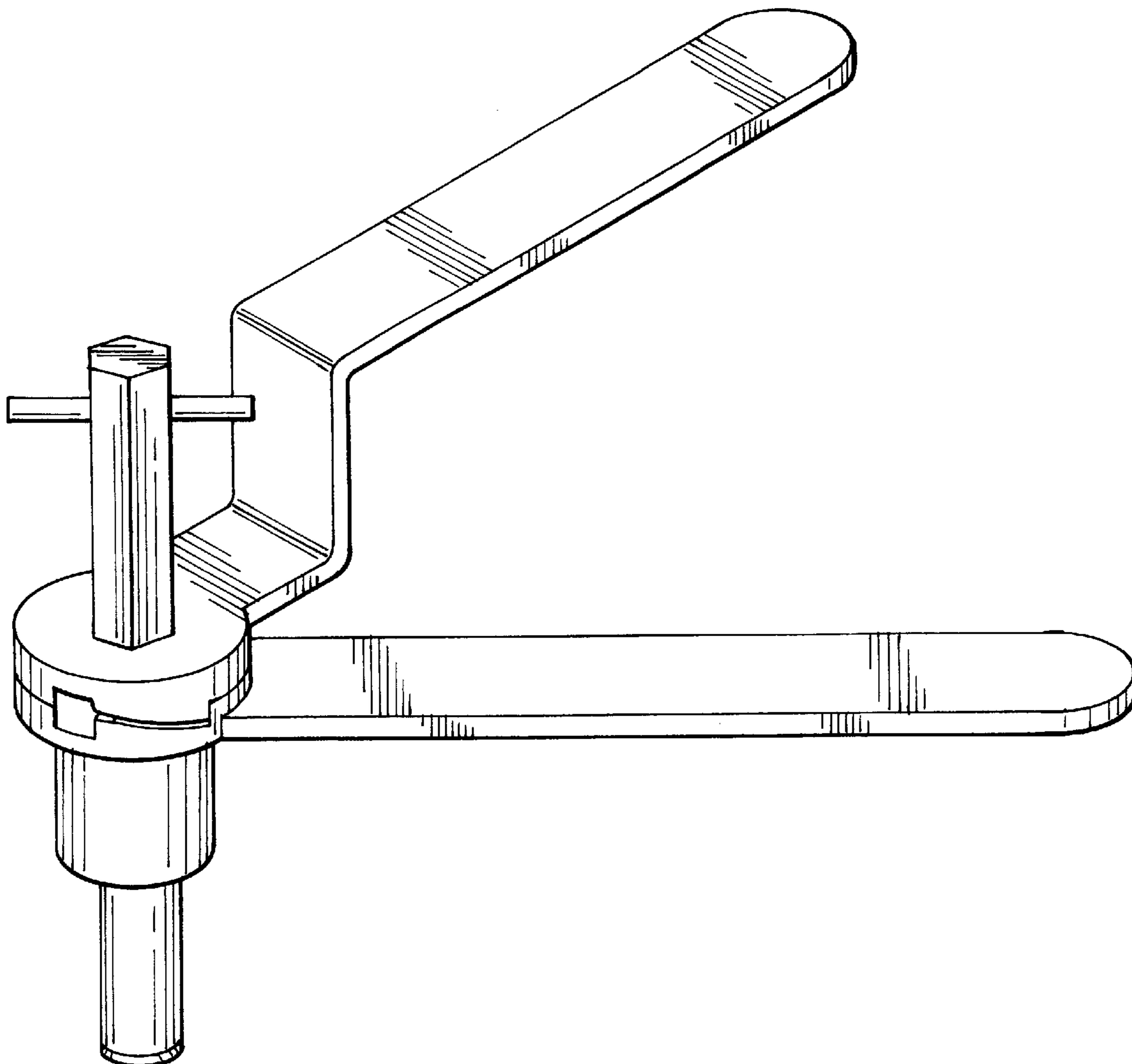
FIG. 1 is a perspective view of an anchor lock drive tool showing my new design;
FIG. 2 is a top view thereof;
FIG. 3 is a bottom view thereof;
FIG. 4 is a front view thereof;
FIG. 5 is a back view thereof;
FIG. 6 is a left side view thereof; and,
FIG. 7 is a right side view thereof.

[56] **References Cited**

U.S. PATENT DOCUMENTS

726,012 4/1903 Anderw 81/177.1
1,045,924 12/1912 Wilson 81/177.1
1,167,242 1/1916 Wright 81/53.2

1 Claim, 3 Drawing Sheets



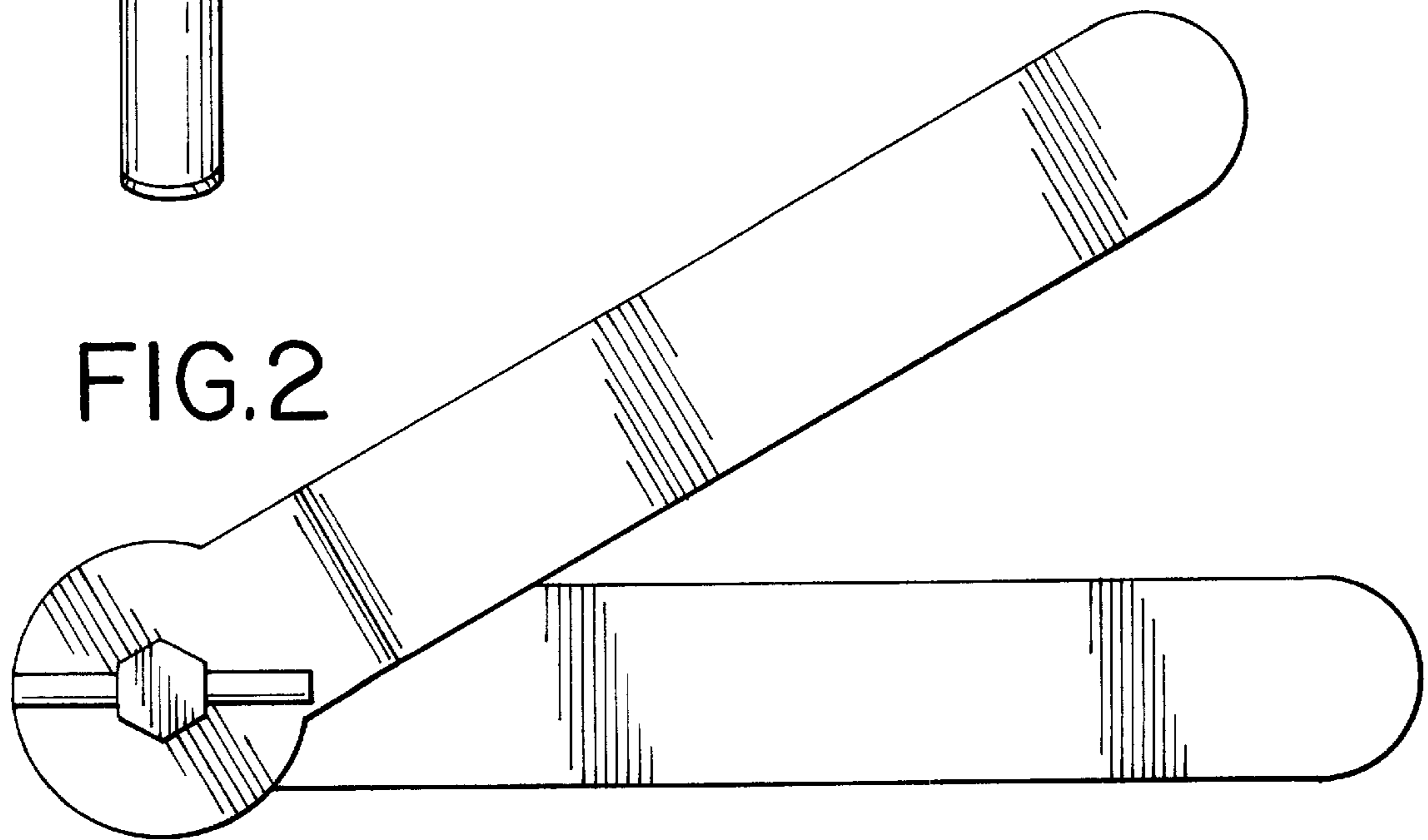
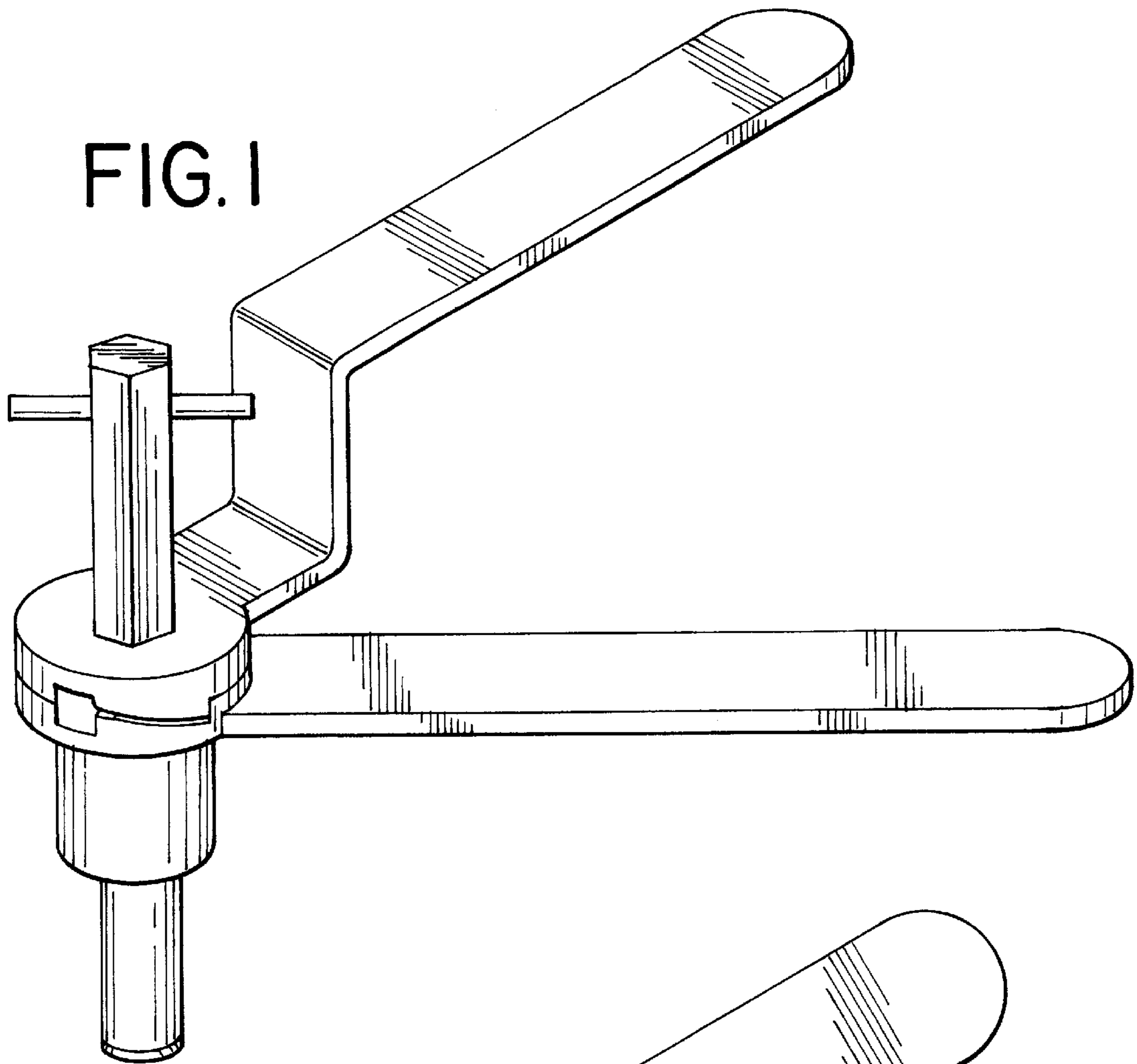


FIG.3

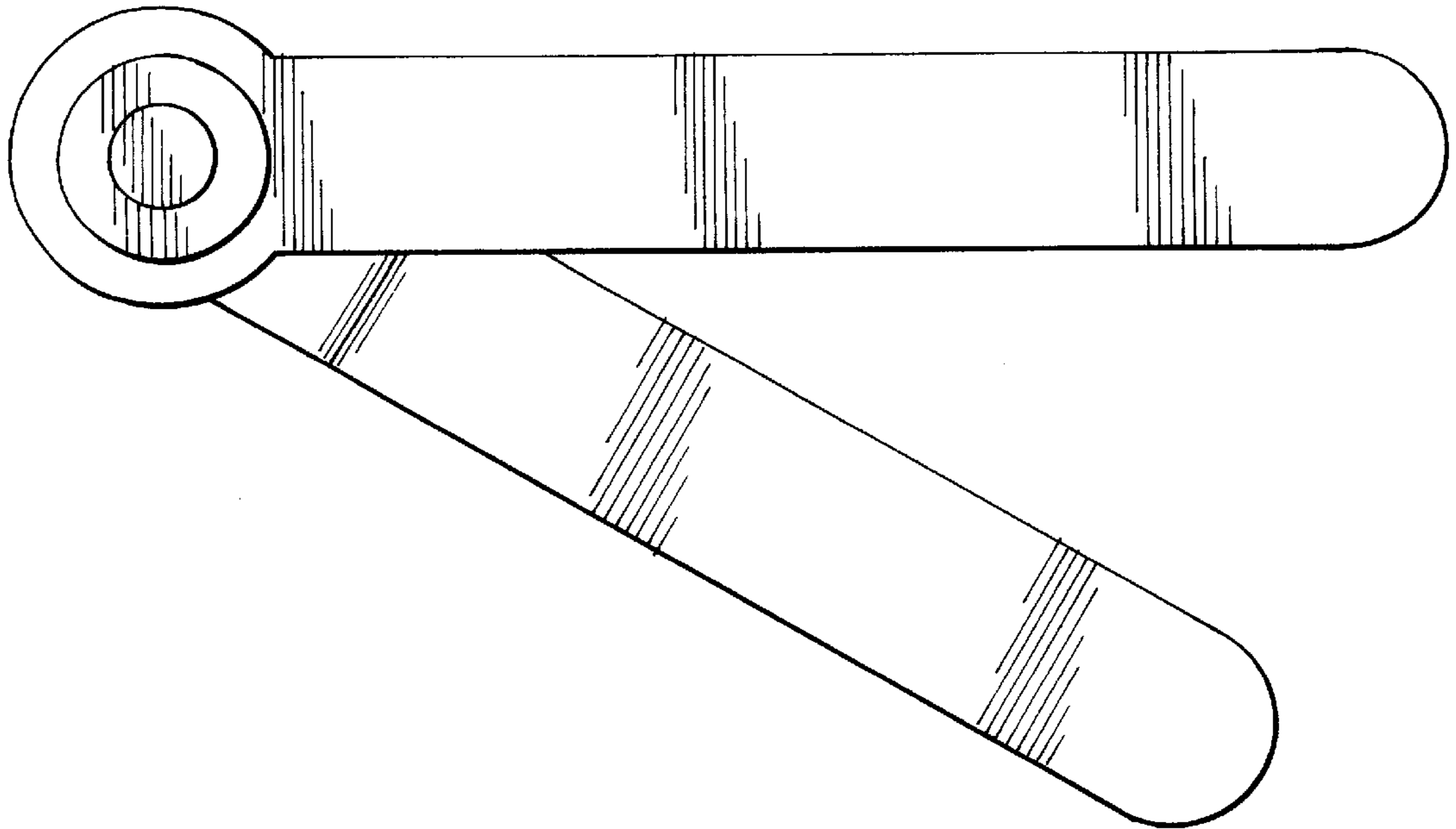


FIG.4

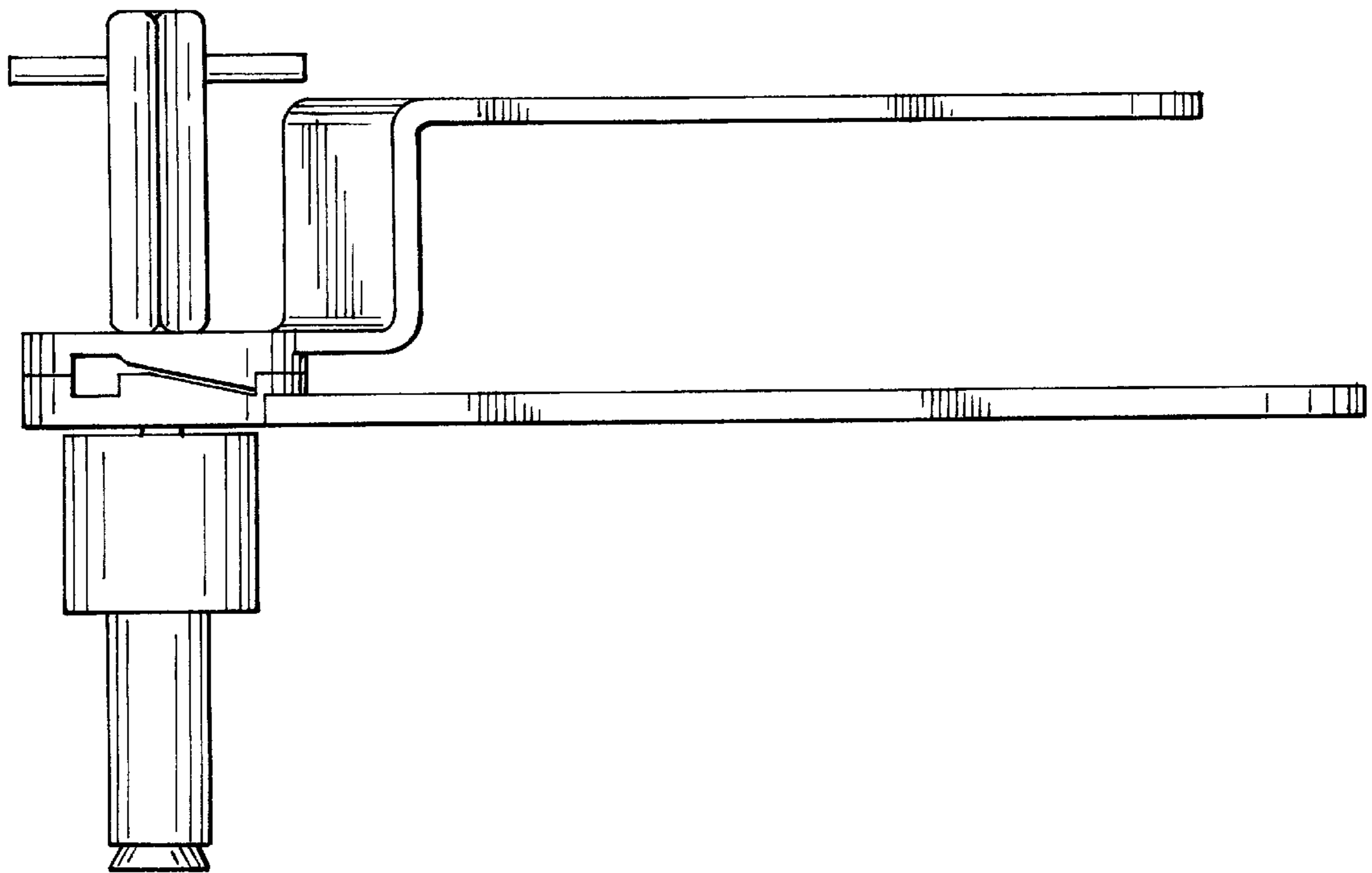


FIG.5

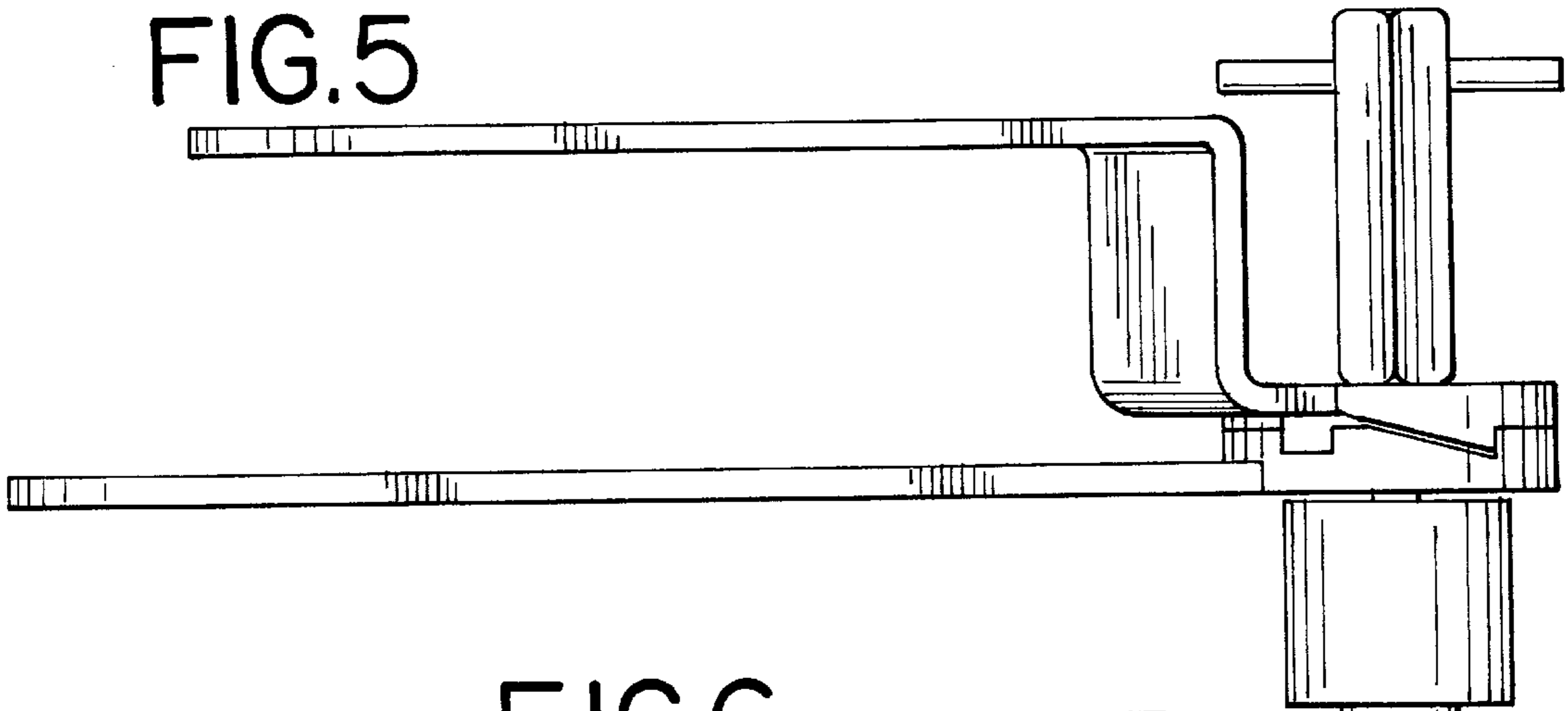


FIG.6

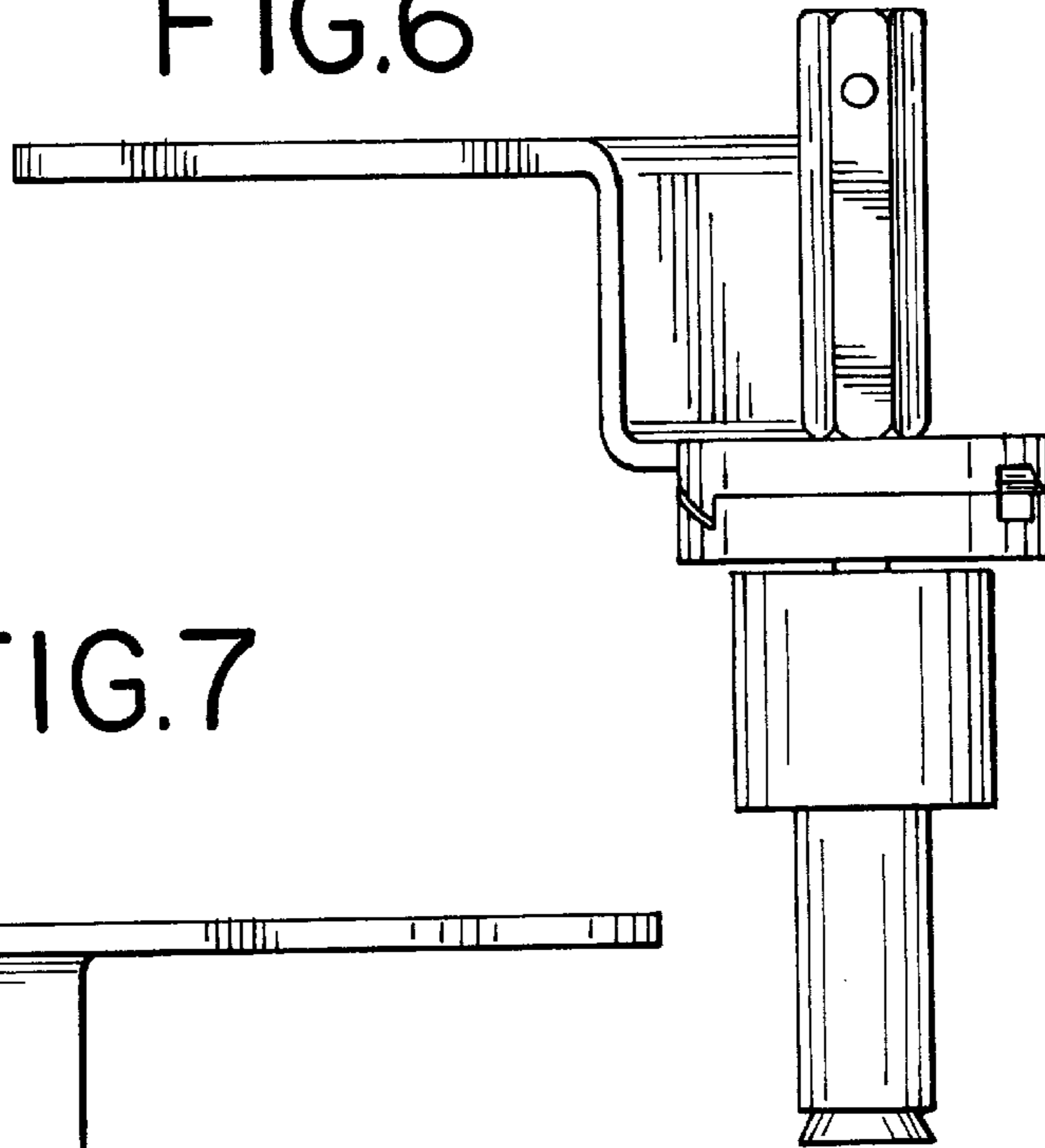


FIG.7

