



US00D422468S

United States Patent [19] Cruz

[11] Patent Number: Des. 422,468

[45] Date of Patent: ** Apr. 11, 2000

[54] CAN OPENER

[75] Inventor: Anthony V. Cruz, Richmond, Va.

[73] Assignee: Hamilton Beach/Proctor-Silex, Inc.,
Glen Allen, Va.

[**] Term: 14 Years

[21] Appl. No.: 29/098,729

[22] Filed: Jan. 5, 1999

[51] LOC (6) Cl. 07-99

[52] U.S. Cl. D8/36

[58] Field of Search D8/33-43, 18,
D8/19; 30/400-443; 81/3.07-3.49; 7/151-156

[56] References Cited

U.S. PATENT DOCUMENTS

D. 296,652	7/1988	Kelly	D8/36
D. 317,552	6/1991	McCloskey et al.	D8/36
D. 387,641	12/1997	Naft et al. .	
D. 387,644	12/1997	Naft et al.	D8/36
D. 397,600	9/1998	Brady	D8/35
D. 412,651	8/1999	Conrado et al.	D8/36
3,018,549	1/1962	Spielman	30/404
4,520,567	6/1985	Crawford	30/424
4,561,182	12/1985	Yamamoto et al. .	
4,860,455	8/1989	Conneally .	
4,979,308	12/1990	Moore .	
5,421,092	6/1995	Guilmette et al. .	
5,666,735	9/1997	Kosten et al.	30/410
5,676,440	10/1997	Garber et al. .	

OTHER PUBLICATIONS

Front and back cover and pp. 12 and 28 of the 93/94 "Hamilton Beach/Proctor-Silex Catalog" published Apr. 1993 by Hamilton Beach/Proctor-Silex, Inc.

Use and care manual for Black & Decker model ECL80 can opener, published by Black & Decker, Inc. 1985.

Product Catalog, front and rear covers and p. 6, published by Hamilton Beach/Proctor-Silex, Inc. 1992.

Copy of instruction manual for Presto "Above All" can opener published by National Presto Industries, Inc. 1989.

Front and rear cover and unmarked p. 14 from the "Hot News from Proctor-Silex 1987" Catalog published by WearEver-Proctor-Silex, Inc. 1987.

See Information Disclosure Statement regarding offer for sale less and one year before filing date of this application.

Primary Examiner—Jeffrey Asch

Attorney, Agent, or Firm—Roger S. Dybvig

[57] CLAIM

The ornamental design for can opener, as shown and described.

DESCRIPTION

FIG. 1 is a perspective view as seen from the top, front and left side of a can opener showing my new design;

FIG. 2 is a front elevational view thereof;

FIG. 3 is a rear elevational view thereof;

FIG. 4 is a right side elevational view thereof;

FIG. 5 is a left side elevational view thereof;

FIG. 6 is a top plan view thereof; and,

FIG. 7 is a bottom plan view thereof.

1 Claim, 4 Drawing Sheets

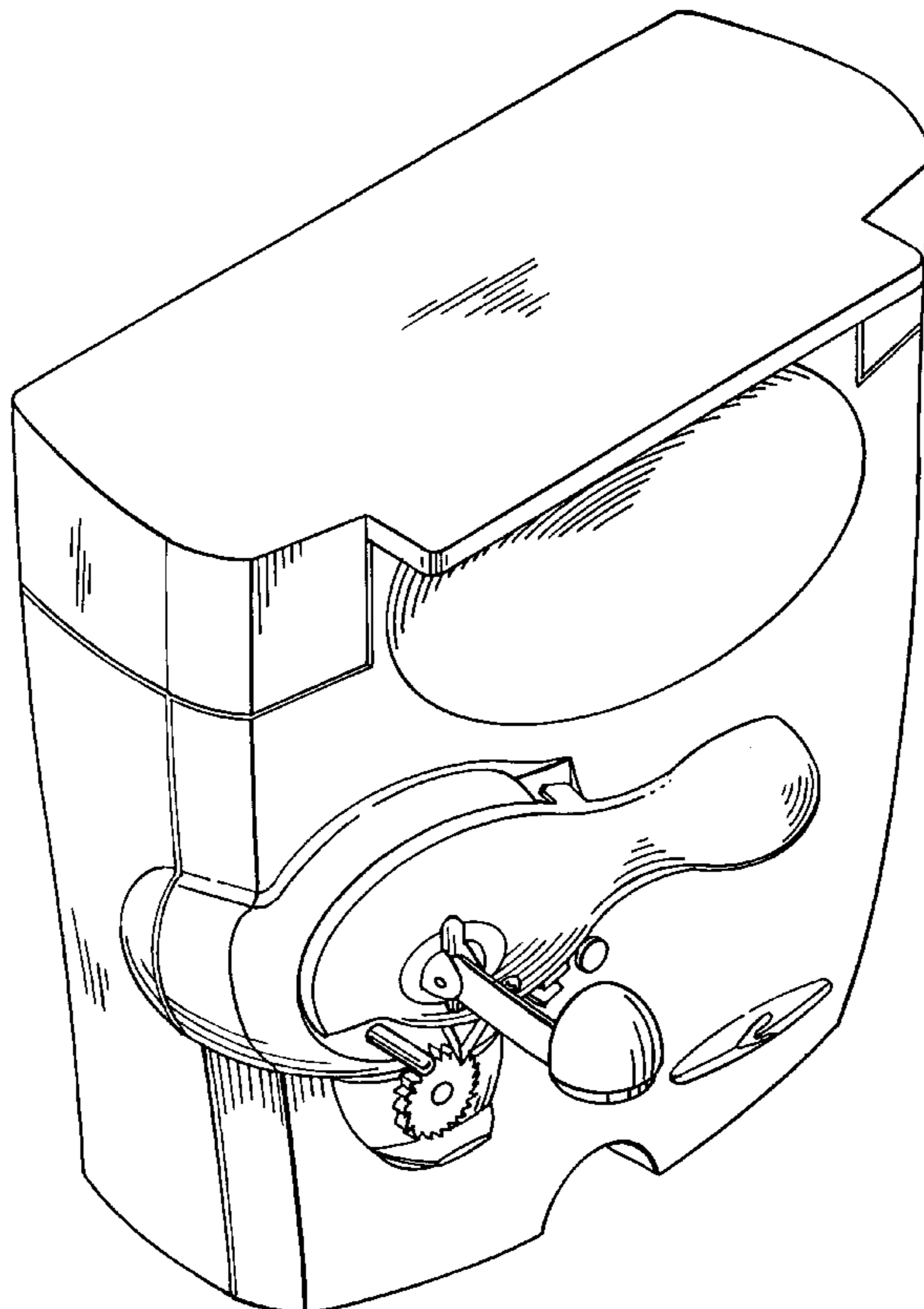
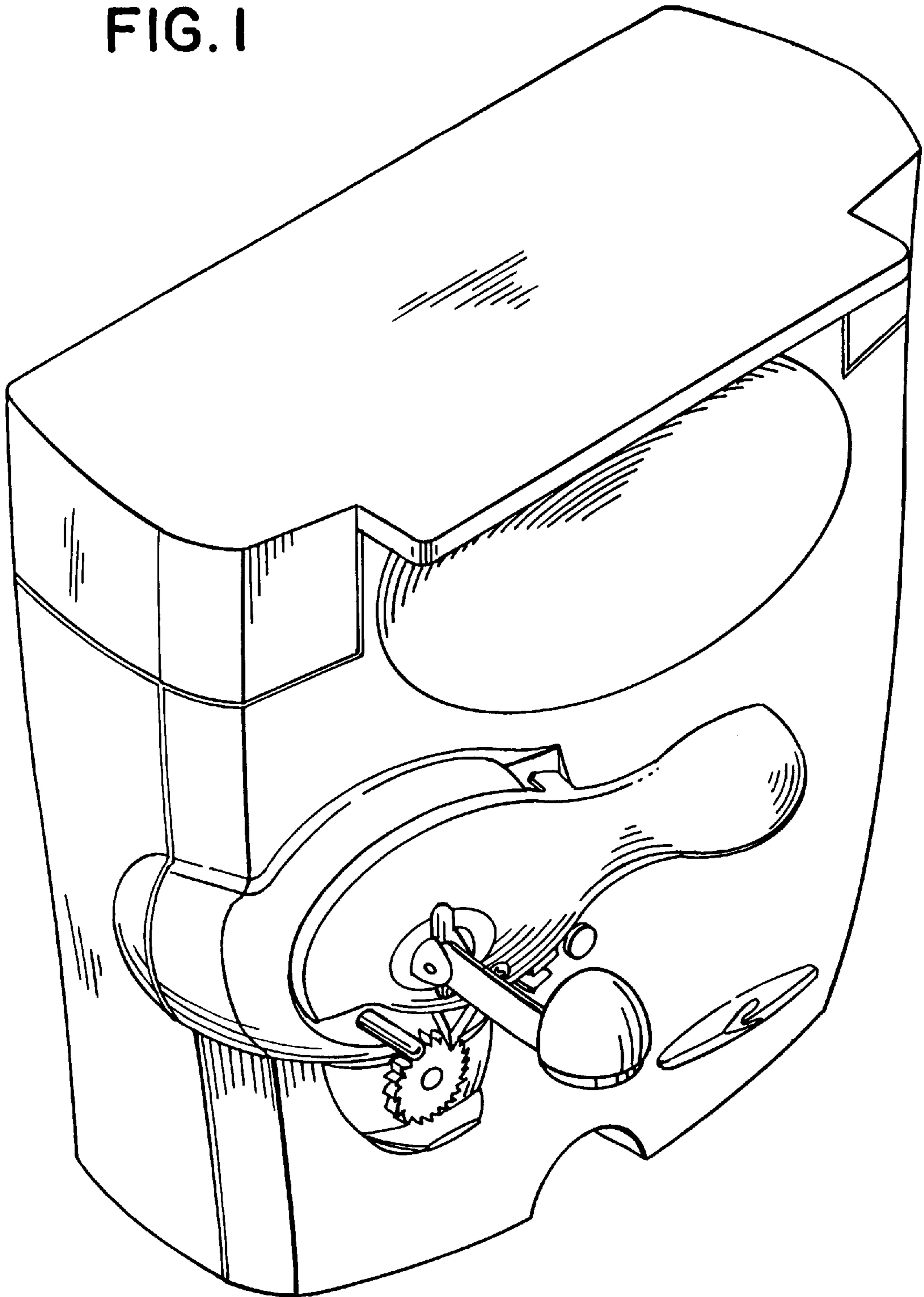


FIG. 1



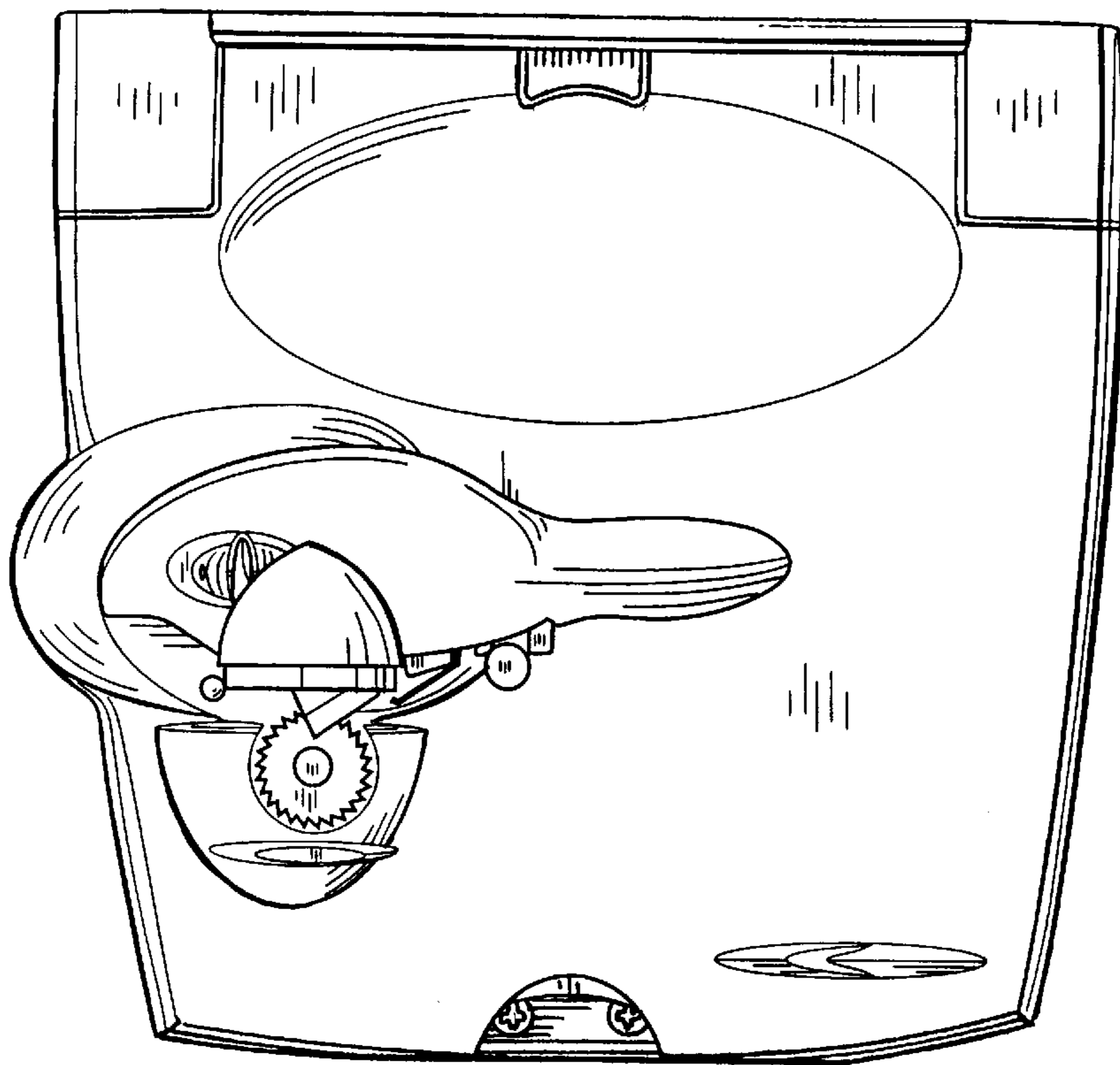


FIG. 2

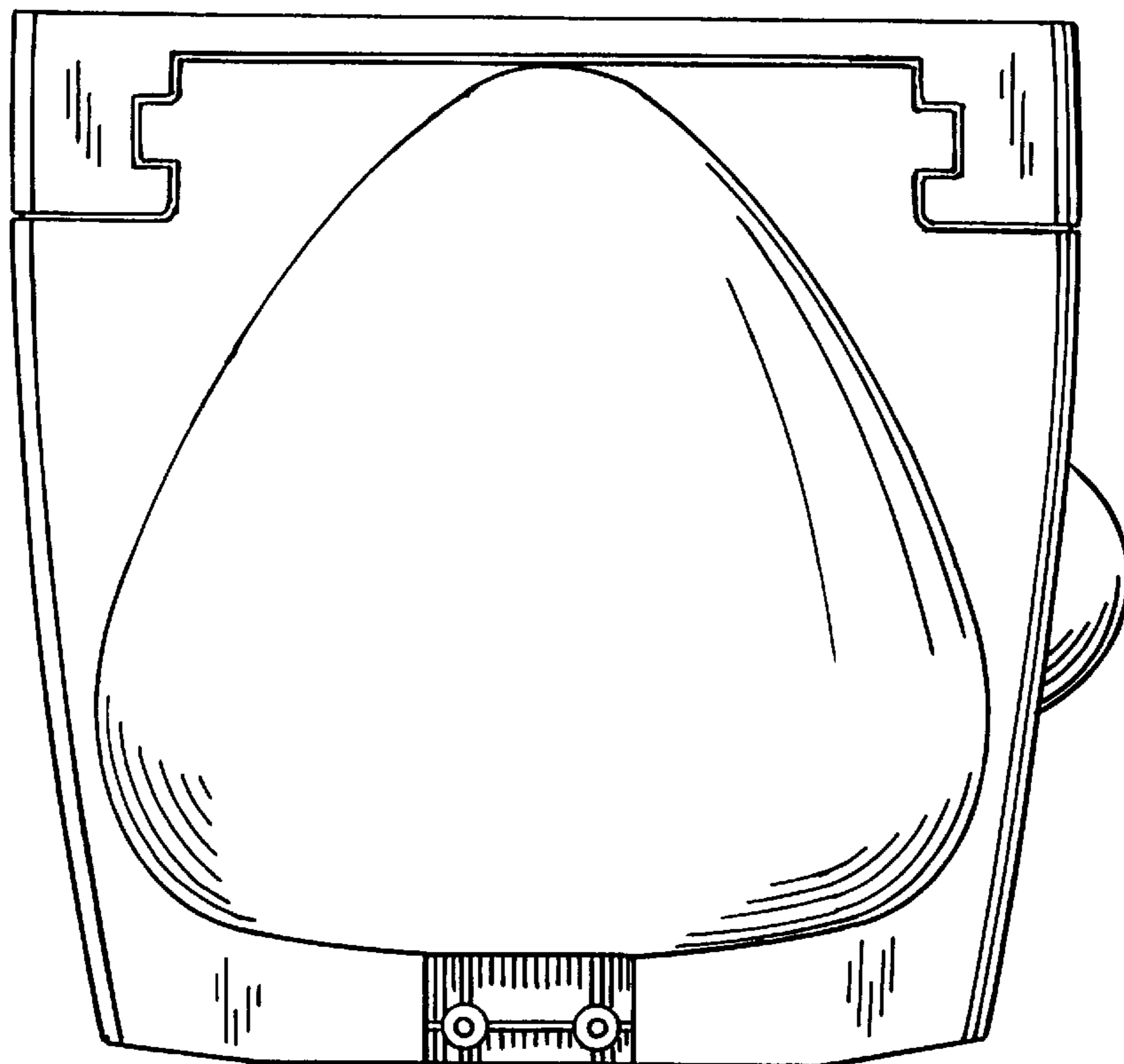


FIG. 3

FIG. 4

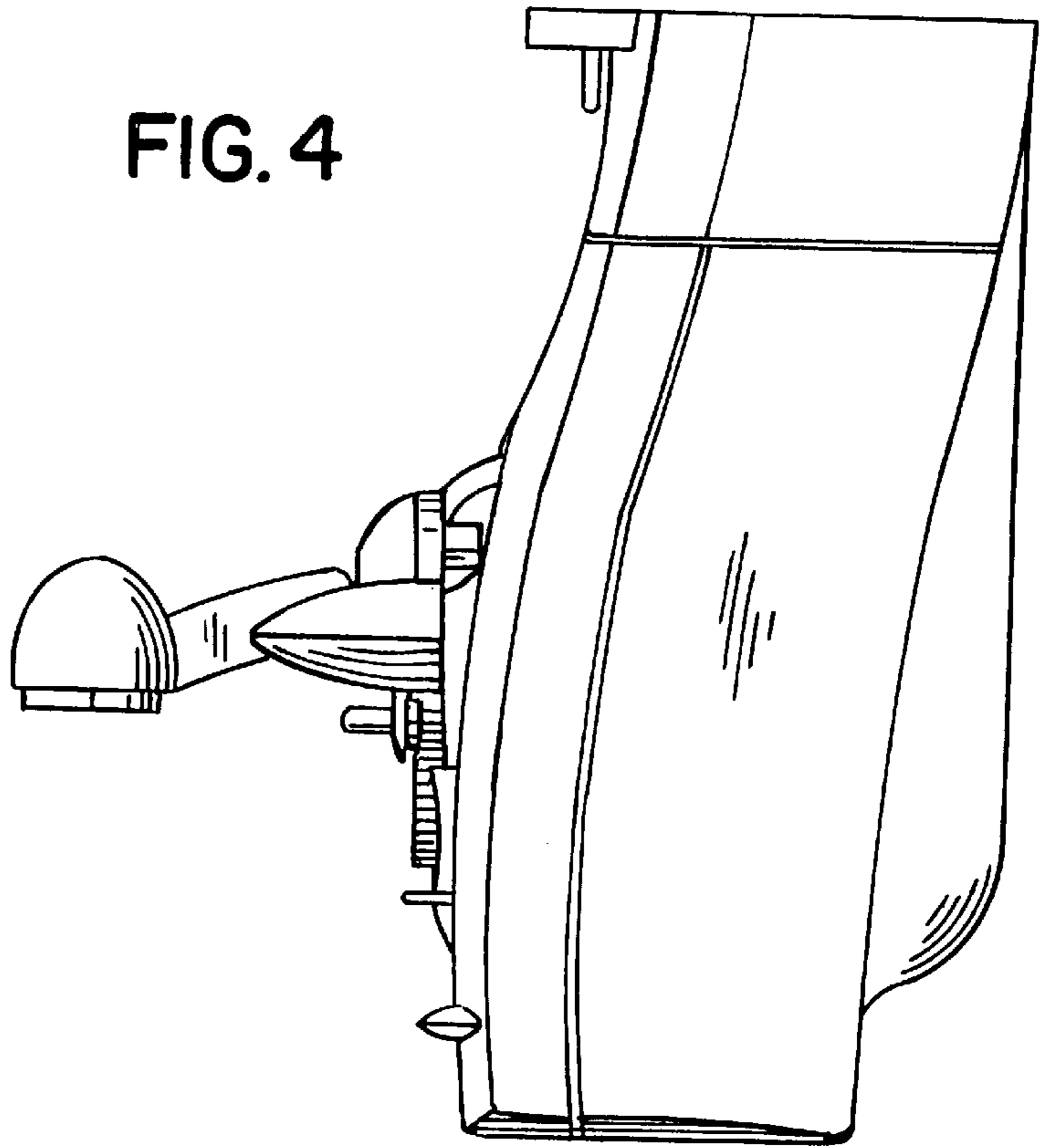
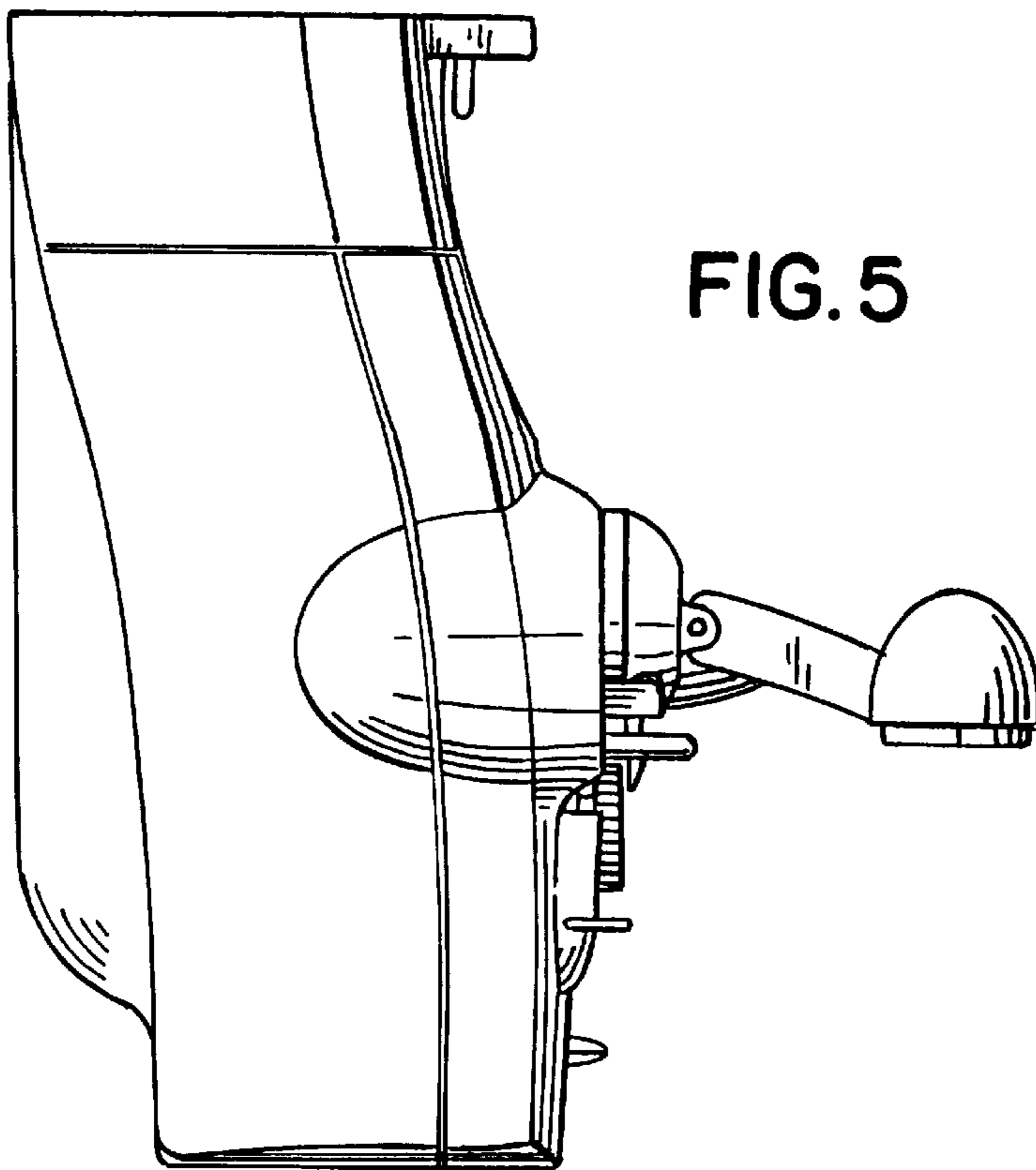


FIG. 5



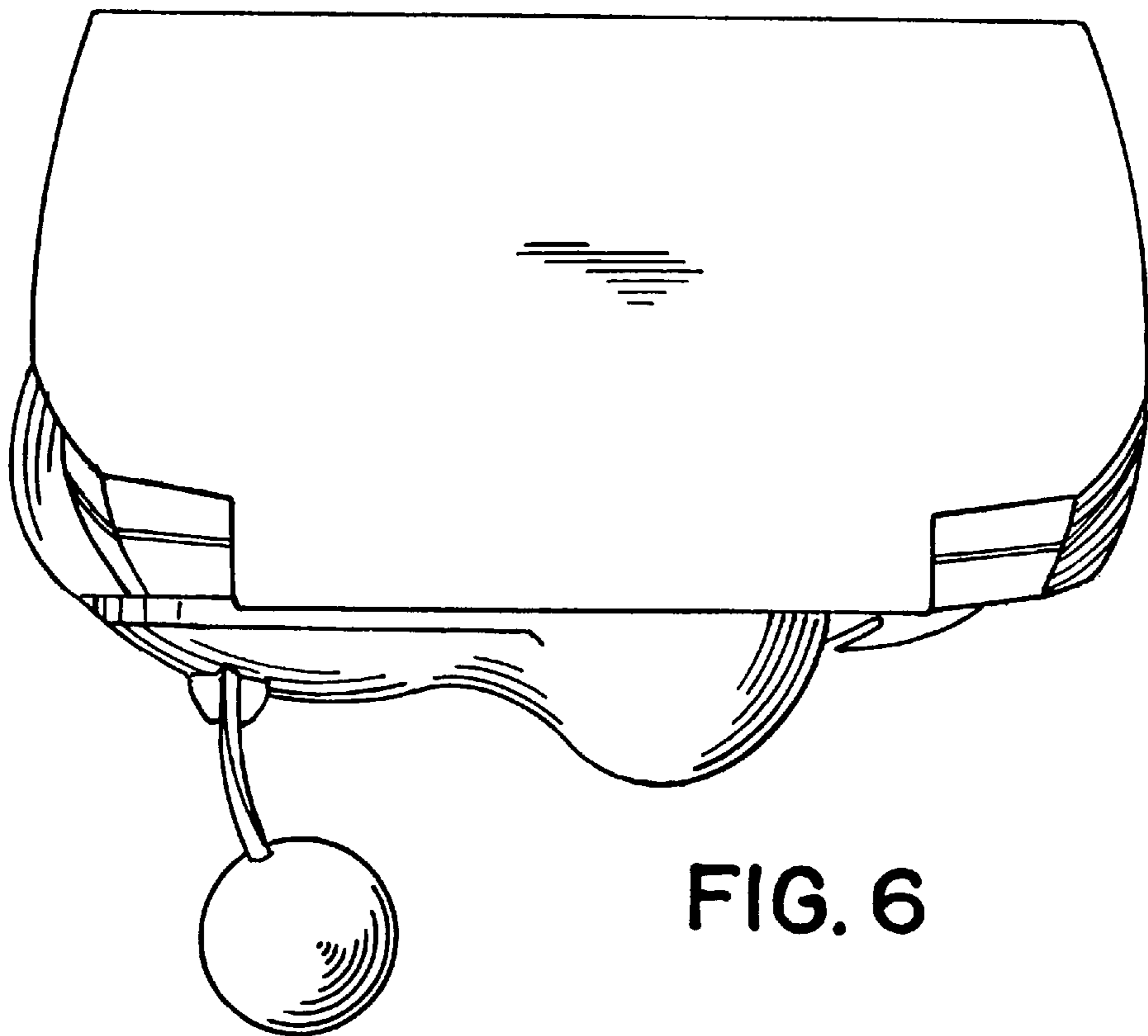


FIG. 6

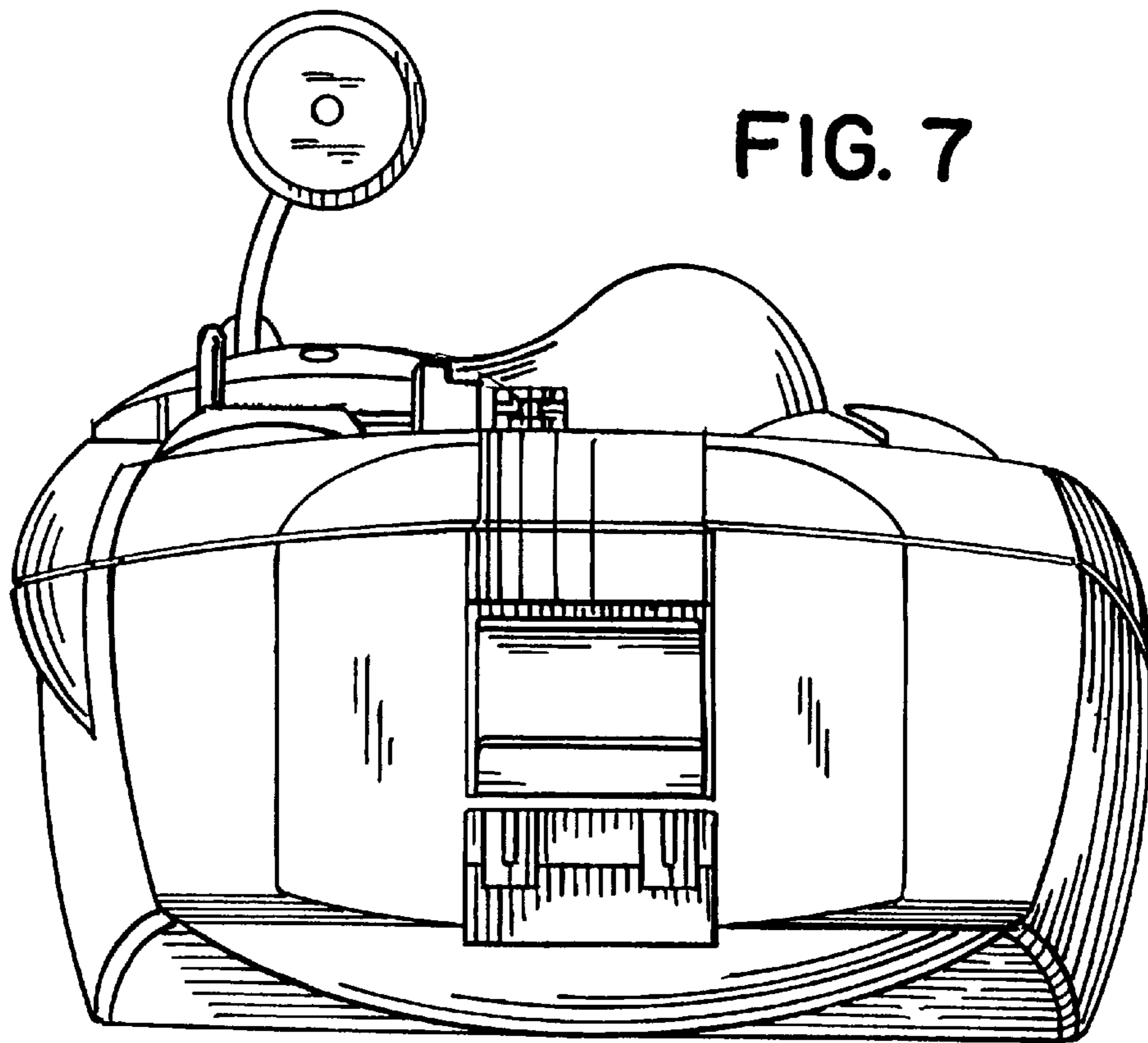


FIG. 7